



US00D805192S

(12) **United States Design Patent** (10) **Patent No.:** **US D805,192 S**
Mahood (45) **Date of Patent:** **** Dec. 12, 2017**

(54) **OSTOMY APPLIANCE SEAL**
(71) Applicant: **T.G. Eakin Limited**, Comber (GB)
(72) Inventor: **Benjamin Derek Mahood**, Saintfield (GB)
(73) Assignee: **T.G. EAKIN LIMITED**, Comber (GB)
(**) Term: **14 Years**
(21) Appl. No.: **29/517,266**
(22) Filed: **Feb. 11, 2015**
(51) **LOC (10) Cl.** **24-01**
(52) **U.S. Cl.**
USPC **D24/127**
(58) **Field of Classification Search**
USPC D24/118, 127, 108, 128, 111; 604/332, 604/333; 128/DIG. 24; D20/11, 12, 23, D20/28, 29; D18/24; D9/652; D19/40
CPC A61F 5/44; A61F 5/441; A61F 5/445
See application file for complete search history.

(56) **References Cited**

U.S. PATENT DOCUMENTS

D289,689 S * 5/1987 Becsi D24/128
4,676,244 A * 6/1987 Enstrom A61B 5/15142
606/181
4,921,447 A * 5/1990 Capp H01R 43/0207
439/585
5,267,962 A * 12/1993 Jenson A61M 5/3129
604/110
D344,449 S * 2/1994 Ward D8/395
D368,567 S * 4/1996 Chase D34/29
5,653,593 A * 8/1997 Berlinski A63F 7/40
434/159
5,853,391 A * 12/1998 Bell A61M 25/065
604/158
5,901,930 A * 5/1999 Harrel F16L 3/01
224/222

D422,204 S * 4/2000 Holloway D8/356
6,050,983 A * 4/2000 Moore A61F 5/4405
128/DIG. 24
D426,267 S * 6/2000 Bush D20/28
D434,850 S * 12/2000 Balestracci D24/112
(Continued)

OTHER PUBLICATIONS

Teaching 2 and 3 year olds website, Foam letters for literacy activities, Oct. 13, 2011, <https://teaching2and3yearolds.com/foam-letters-for-literacy-activities/>.*

Primary Examiner — David G Muller
Assistant Examiner — Nathan M Johnston
(74) Attorney, Agent, or Firm — Sullivan & Worcester LLP

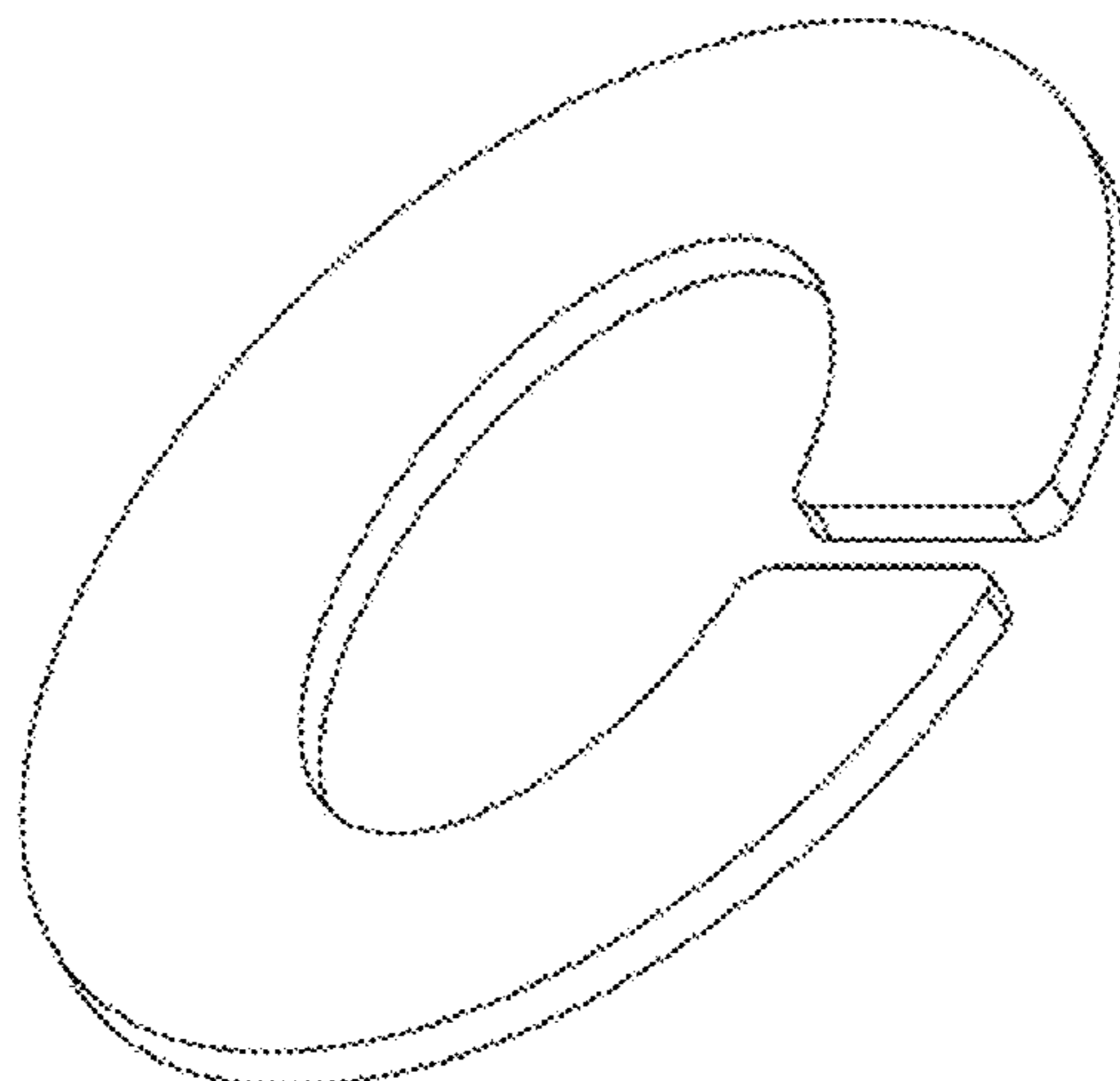
(57) **CLAIM**

I claim the ornamental design for an ostomy appliance seal, as shown and described.

DESCRIPTION

FIG. 1 is a front perspective view of an ostomy appliance seal according to the first embodiment of my new design. FIG. 2 is a front elevation view thereof; FIG. 3 is a right side elevation view thereof; FIG. 4 is a top plan view thereof; FIG. 5 is a rear elevation view thereof; FIG. 6 is a bottom plan view thereof; and FIG. 7 is a left side elevation view thereof. FIG. 8 is a front perspective view an ostomy appliance seal according to the second embodiment of my new design. FIG. 9 is front elevation view thereof; FIG. 10 is a right side elevation view thereof; FIG. 11 is a top plan view thereof; FIG. 12 is a rear elevation view thereof; FIG. 13 is a left side elevation view thereof; and, FIG. 14 is a bottom plan view thereof. The ornamental design which is claimed is shown in solid lines in the drawings.

1 Claim, 4 Drawing Sheets



(56)

References Cited

U.S. PATENT DOCUMENTS

6,252,164 B1 * 6/2001 Wise H01R 13/533
104/275
D553,245 S * 10/2007 Jodaikin D1/100
D569,241 S * 5/2008 O'Neill D8/395
D585,023 S * 1/2009 Munch D13/133
D687,702 S * 8/2013 Yates D8/396
D704,828 S * 5/2014 Lin D24/127
D708,325 S * 7/2014 Storrs D24/133
D710,996 S * 8/2014 Bayly D24/130
2004/0253570 A1 * 12/2004 Piller G09B 1/38
434/211
2017/0007439 A1 * 1/2017 Boksan A61F 5/445

* cited by examiner

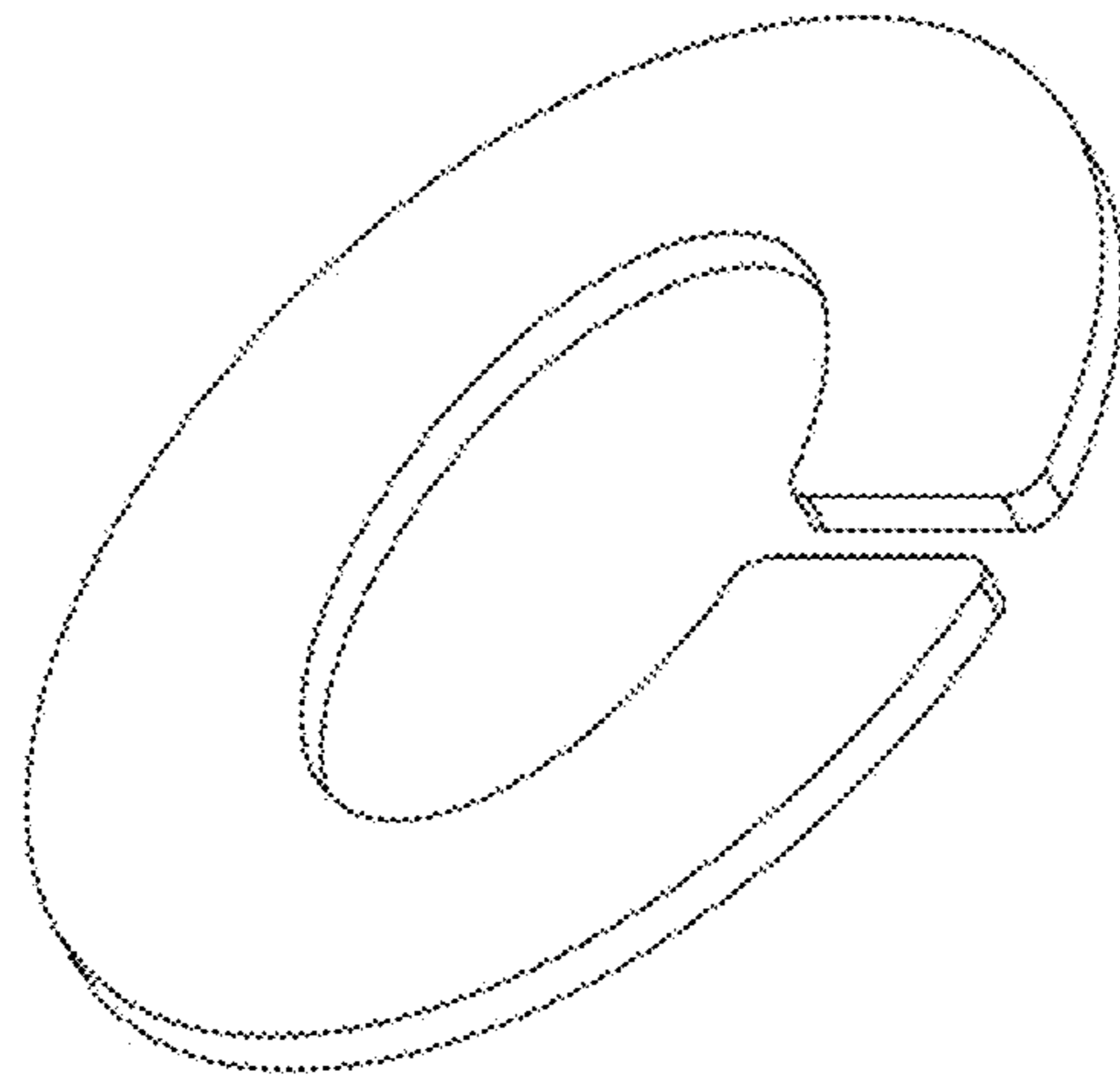


FIG. 1

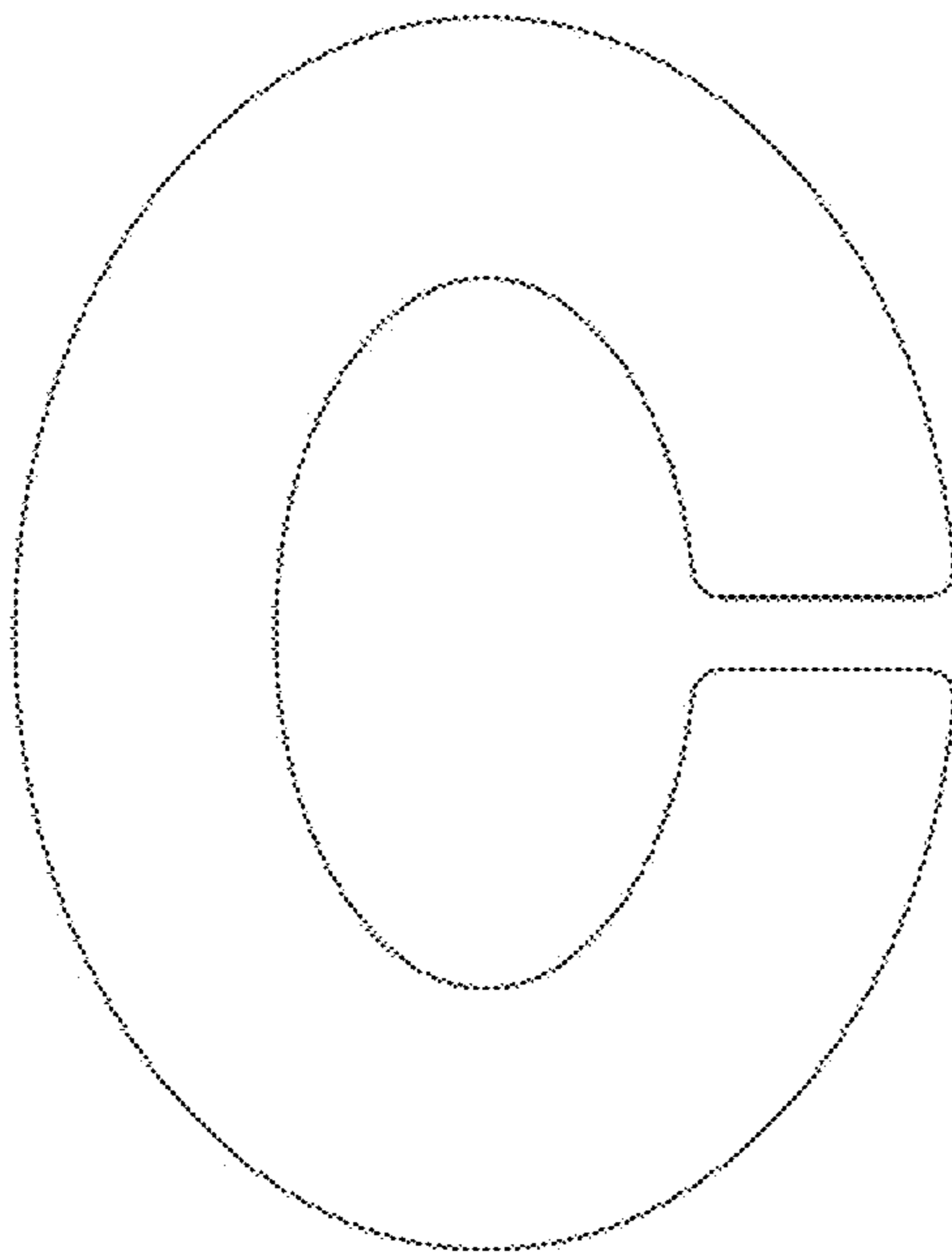


FIG. 2

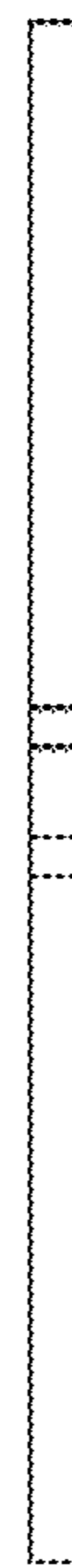


FIG. 3

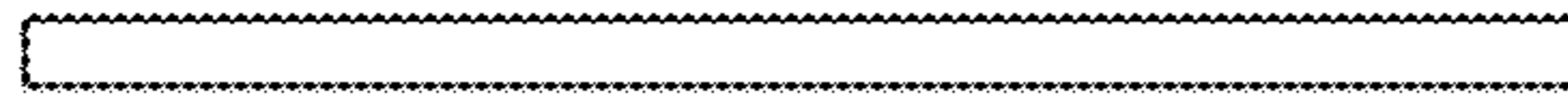


FIG. 4

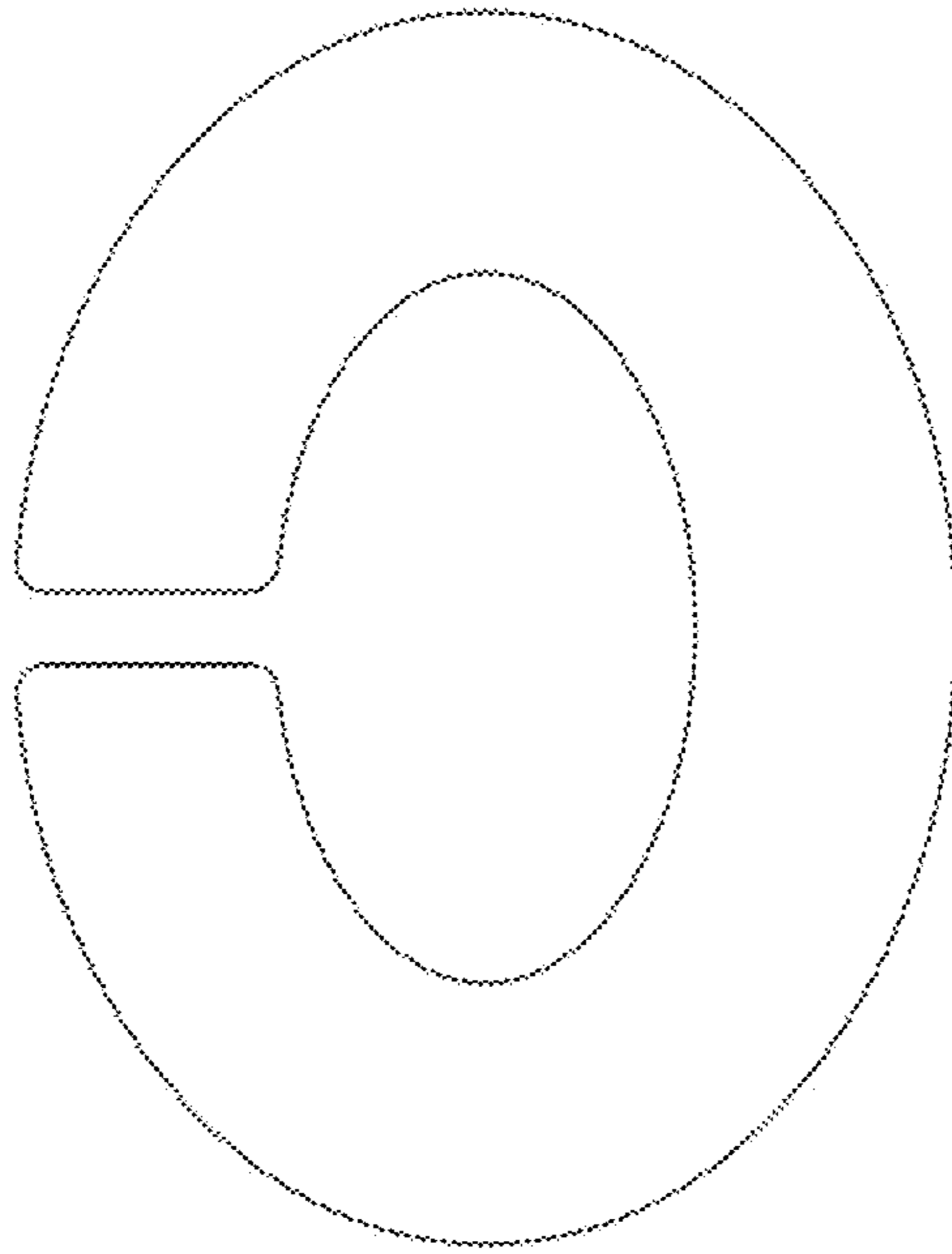


FIG. 5

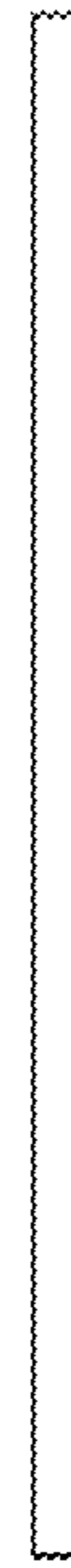


FIG. 7

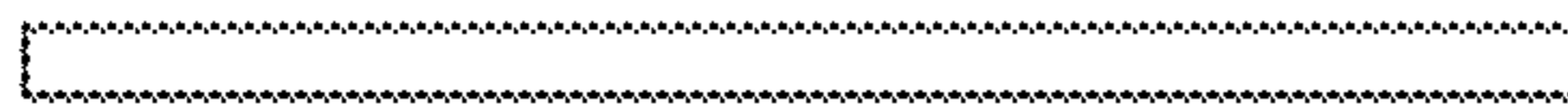


FIG. 6

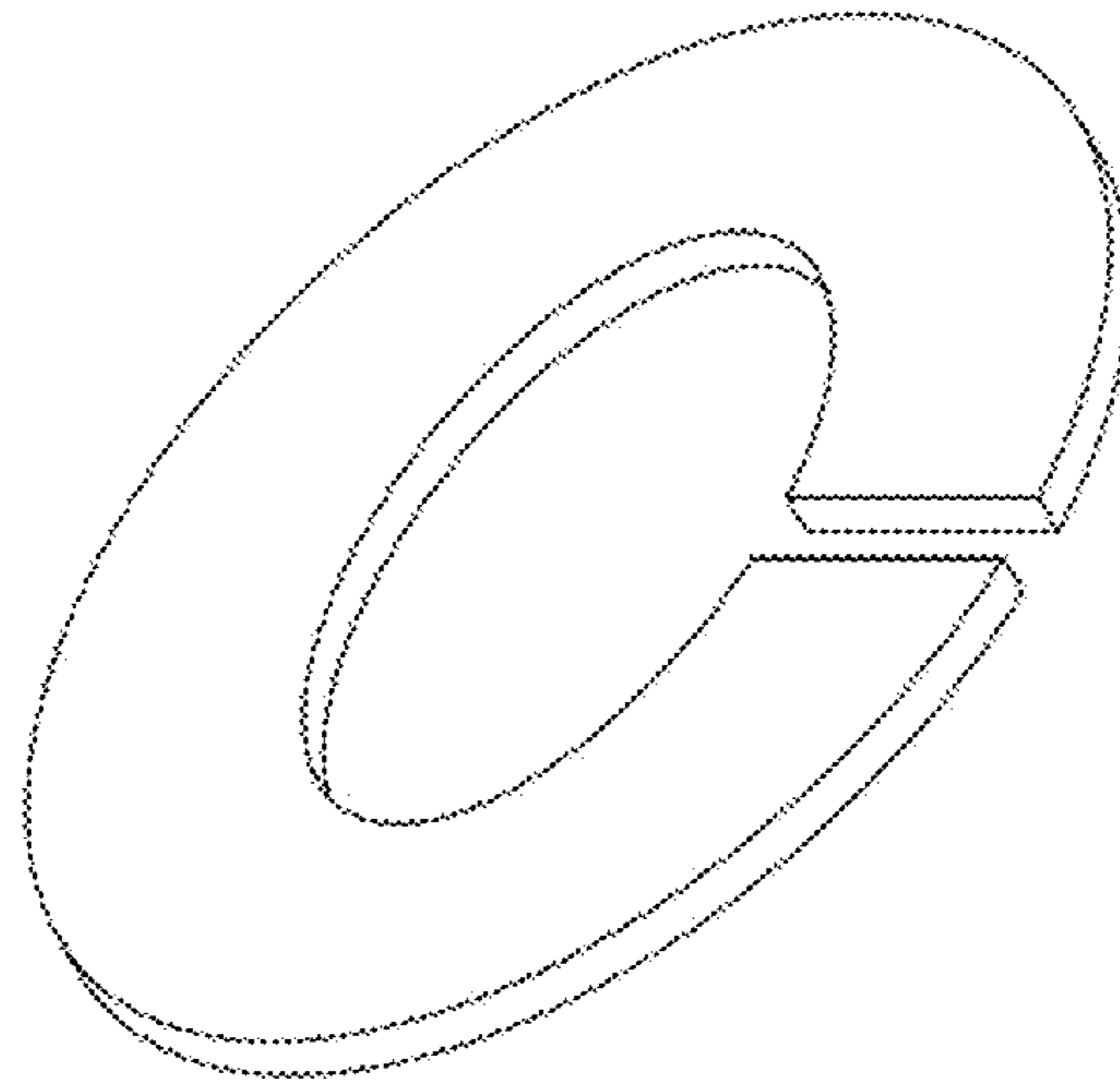


FIG. 8

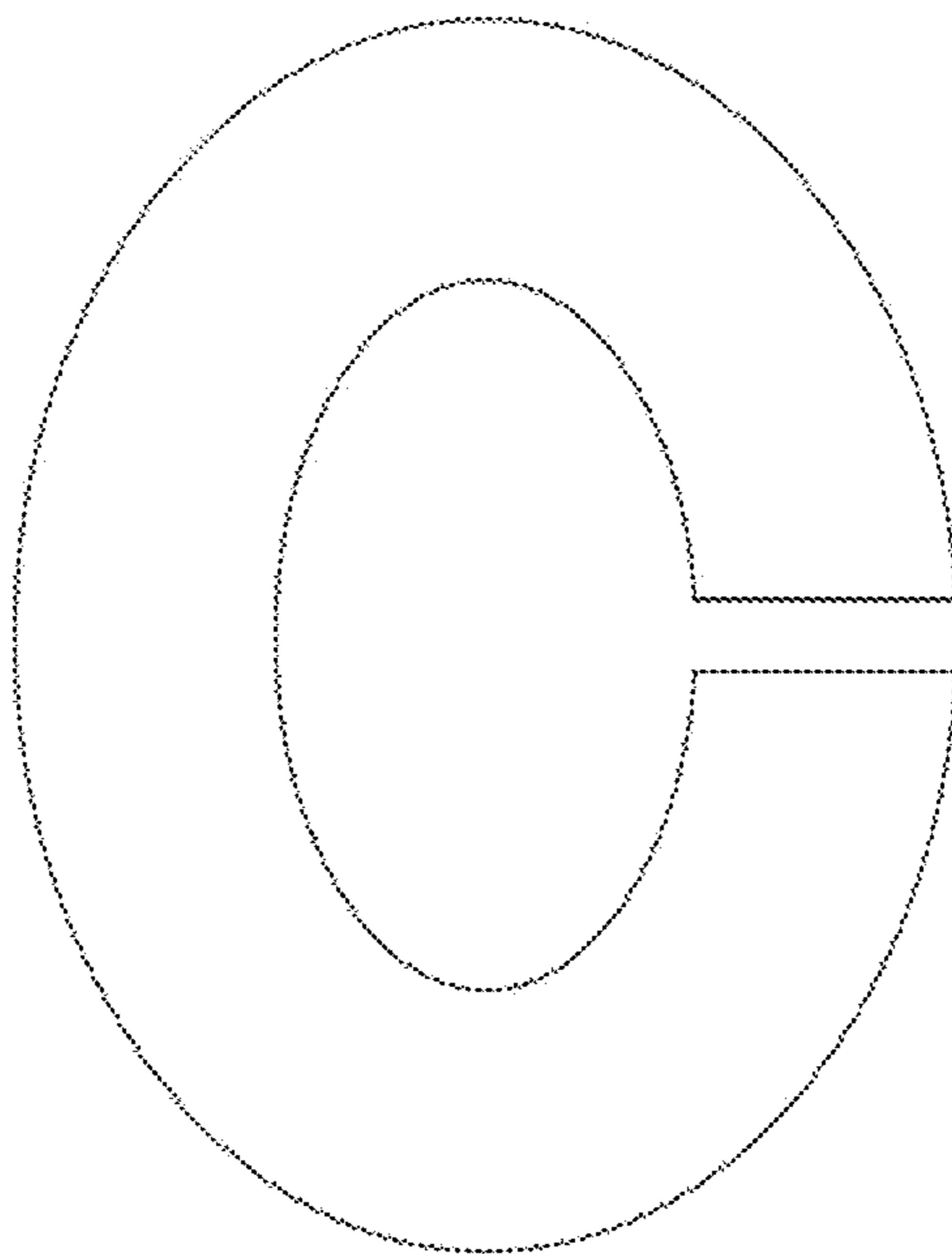


FIG. 9



FIG. 10

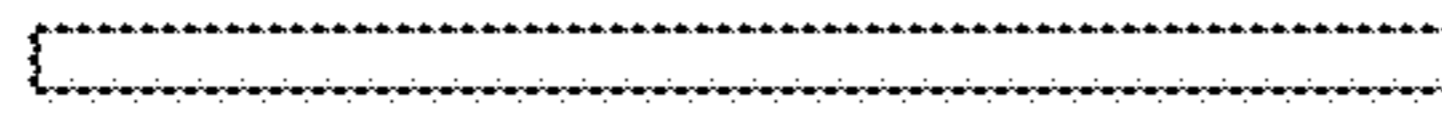


FIG. 11

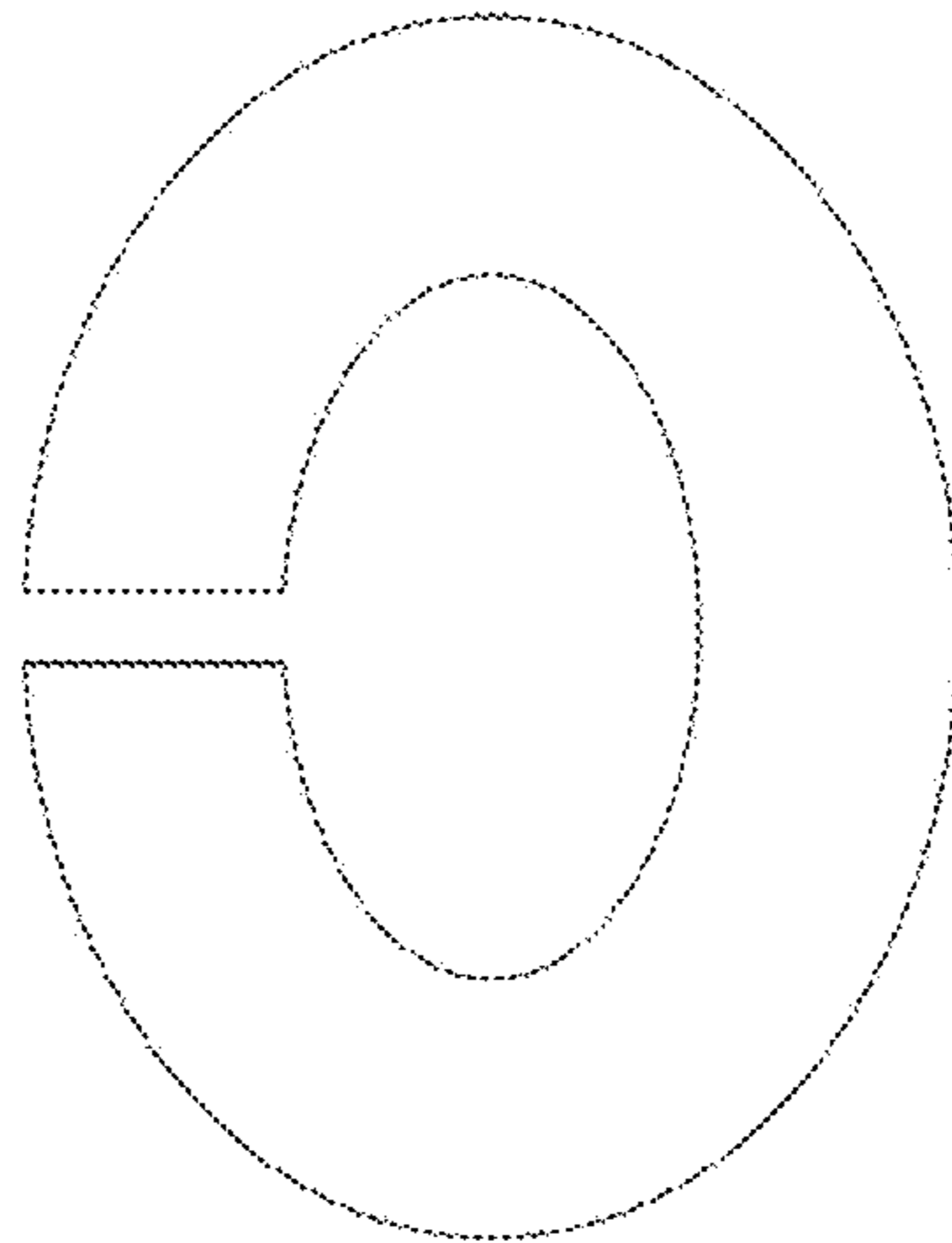


FIG. 12



FIG. 13

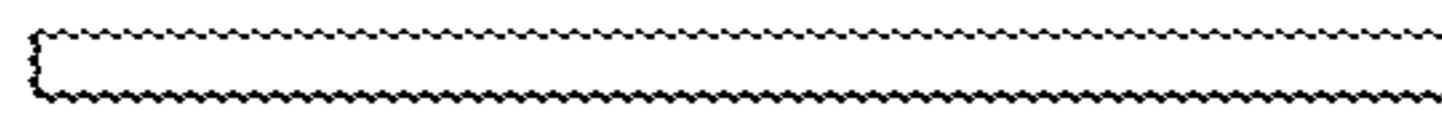


FIG. 14