



US00D805190S

(12) **United States Design Patent** (10) **Patent No.:** **US D805,190 S**  
**Costello et al.** (45) **Date of Patent:** **\*\* Dec. 12, 2017**

(54) **INJECTOR DEVICE**

D471,274 S 3/2003 Diaz et al.  
6,530,900 B1 3/2003 Daily et al.  
D474,543 S \* 5/2003 Lee ..... D24/186  
6,613,015 B2 9/2003 Sandstrom et al.  
(Continued)

(71) Applicant: **West Pharmaceutical Services, Inc.**,  
Lionville, PA (US)

(72) Inventors: **Brian Costello**, Whitehouse Station, NJ  
(US); **Antonio Belton**, Richton Park, IL  
(US); **Edward Geiselhart**, Chicago, IL  
(US); **Pachara Kangchirdsri**, Chicago,  
IL (US); **Michael Lau**, Chicago, IL  
(US); **Charlotte Lux**, Chicago, IL (US)

**FOREIGN PATENT DOCUMENTS**

WO WO 2011-090956 A2 7/2011  
WO WO 2012-032411 A2 3/2012  
(Continued)

(73) Assignee: **West Pharmaceutical Services, Inc.**,  
Exton, PA (US)

**OTHER PUBLICATIONS**

Amgen Inc., "The Neulasta Onpro Kit", <http://www.neulastahcp.com/neulasta-onpro/>, © 2016, 16 pages.  
(Continued)

(\*\*) Term: **15 Years**

*Primary Examiner* — David G Muller  
*Assistant Examiner* — Nathan M Johnston  
(74) *Attorney, Agent, or Firm* — Baker & Hostetler LLP;  
Gregory A. Grissett, Esq.

(21) Appl. No.: **29/578,973**

(22) Filed: **Sep. 26, 2016**

(51) **LOC (10) Cl.** ..... **24-02**

(52) **U.S. Cl.**  
USPC ..... **D24/113**

(58) **Field of Classification Search**  
USPC ..... D24/112-114, 133, 186, 127-131;  
606/181, 185; 604/264, 272, 115, 232,  
604/187, 158, 164.08, 192, 263, 163, 181,  
604/184, 198, 227; 600/101, 139, 143;  
128/200.24, 207.14, 207.15  
CPC ..... A61M 5/14248; A61M 5/14593; A61M  
5/14526; A61M 2005/1452  
See application file for complete search history.

(57) **CLAIM**

The design of an injector device, as shown and described.

**DESCRIPTION**

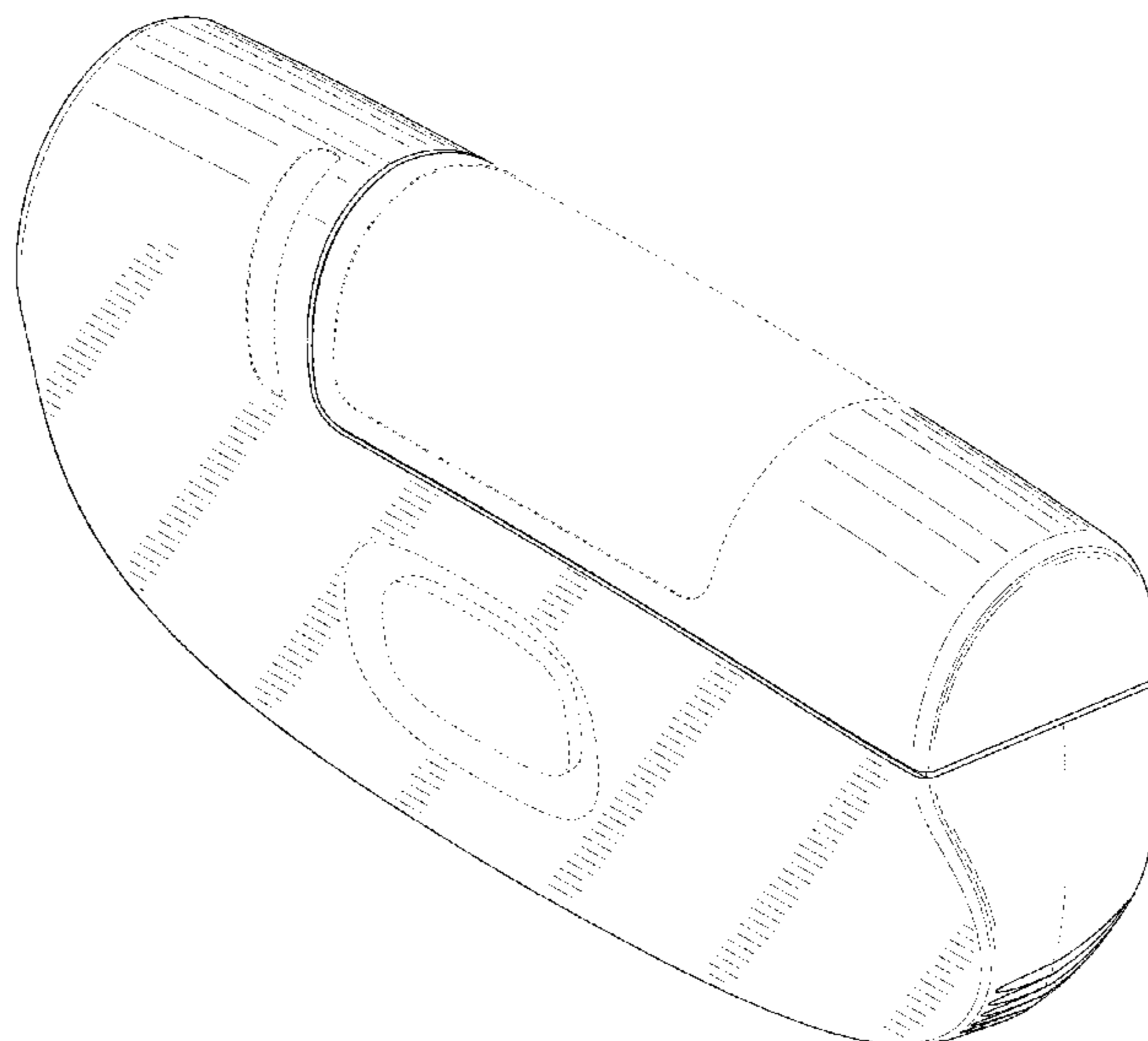
FIG. 1 is a top, front, right perspective view of an injector device showing our new design;  
FIG. 2 is a front elevation view thereof;  
FIG. 3 is a rear plan elevation view thereof;  
FIG. 4 is a top plan view thereof;  
FIG. 5 is a bottom plan view thereof.  
FIG. 6 is a left side elevation view thereof; and,  
FIG. 7 is a right side elevation view thereof.  
The dashed line portion of the drawings is included to show unclaimed subject matter only for the purpose of illustrating environment and forms no part of the claimed design.  
In a preferred embodiment, the nature of the design is an injector device for delivering pharmaceutical agents.

(56) **References Cited**

**U.S. PATENT DOCUMENTS**

D369,864 S \* 5/1996 Petersen ..... D24/169  
D421,902 S \* 3/2000 Hill ..... D9/423  
6,186,982 B1 2/2001 Gross et al.  
D445,496 S \* 7/2001 Anderson ..... D24/110  
6,500,150 B1 12/2002 Gross et al.

**1 Claim, 5 Drawing Sheets**



(56)

References Cited

U.S. PATENT DOCUMENTS

6,800,071 B1 10/2004 McConnell et al.  
 6,843,782 B2 1/2005 Gross et al.  
 D544,092 S \* 6/2007 Lewis ..... D24/108  
 D619,338 S 7/2010 Teichert et al.  
 7,780,636 B2 8/2010 Radmer et al.  
 7,967,795 B1 6/2011 Cabiri  
 D640,920 S \* 7/2011 Giraud ..... D3/203.2  
 D646,159 S \* 10/2011 Bellamah ..... D9/424  
 8,152,779 B2 4/2012 Cabiri  
 8,157,769 B2 4/2012 Cabiri  
 8,210,172 B2 \* 7/2012 Crowder ..... A61M 15/0045  
 128/200.24  
 8,303,549 B2 11/2012 Mejlhede et al.  
 8,313,467 B2 11/2012 Chong et al.  
 8,348,898 B2 1/2013 Cabiri  
 8,393,357 B2 3/2013 Chong et al.  
 D684,686 S \* 6/2013 Cronenberg ..... D24/108  
 D685,083 S \* 6/2013 Schneider ..... D24/108  
 D685,084 S \* 6/2013 Guarraia ..... D24/108  
 8,465,455 B2 6/2013 Cabiri  
 D687,140 S \* 7/2013 Guarraia ..... D24/108  
 D687,141 S \* 7/2013 Schneider ..... D24/108  
 D687,536 S \* 8/2013 Guarraia ..... D24/108  
 D688,784 S \* 8/2013 Schneider ..... D24/108  
 D702,834 S 4/2014 Norton et al.  
 8,882,711 B2 11/2014 Saulenas et al.  
 D722,870 S \* 2/2015 Fohner ..... D9/424  
 8,986,250 B2 3/2015 Beebe et al.  
 9,011,164 B2 4/2015 Filman et al.  
 9,173,997 B2 11/2015 Gross et al.  
 D745,661 S 12/2015 Collins et al.  
 D753,810 S \* 4/2016 Chang ..... D24/108  
 D755,950 S \* 5/2016 Meliniotis ..... D24/110  
 D760,374 S 6/2016 Nagar et al.  
 9,373,269 B2 6/2016 Bergman et al.  
 D764,047 S \* 8/2016 Bjelovuk ..... D24/108  
 9,421,323 B2 8/2016 Cabiri et al.  
 D770,037 S 10/2016 Schleicher et al.  
 9,463,280 B2 10/2016 Cabiri  
 9,492,614 B2 11/2016 Kamen et al.  
 D776,262 S \* 1/2017 Tyce ..... D24/113  
 D776,265 S \* 1/2017 Tyce ..... D24/113  
 D777,331 S \* 1/2017 Jayalath ..... D14/344  
 9,656,019 B2 5/2017 Cabiri et al.  
 2007/0021733 A1 1/2007 Hansen et al.  
 2008/0215015 A1 9/2008 Cindrich et al.  
 2009/0093792 A1 4/2009 Gross  
 2012/0035546 A1 2/2012 Cabiri  
 2013/0110049 A1 5/2013 Cronenberg et al.  
 2013/0245596 A1 9/2013 Cabiri et al.

2013/0253472 A1 9/2013 Cabiri et al.  
 2013/0296799 A1 11/2013 Degtiar et al.  
 2013/0304021 A1 11/2013 Cabiri et al.  
 2013/0310753 A1 11/2013 Cabiri  
 2014/0128815 A1 5/2014 Cabiri et al.  
 2014/0207067 A1 7/2014 Kamen et al.  
 2014/0330240 A1 11/2014 Cabiri et al.  
 2014/0346378 A1 11/2014 Kua et al.  
 2014/0350459 A1 11/2014 Lanier, Jr. et al.  
 2015/0011965 A1 1/2015 Cabiri  
 2015/0157786 A1 6/2015 Sonderegger et al.  
 2015/0165121 A1 6/2015 Murakami et al.  
 2015/0359965 A1 \* 12/2015 O'Connor ..... A61M 5/141  
 604/123  
 2016/0058941 A1 \* 3/2016 Wu ..... A61M 5/3134  
 604/136  
 2016/0082184 A1 \* 3/2016 Hanagan ..... A61M 5/14228  
 604/151  
 2016/0121043 A1 5/2016 Weibel  
 2016/0256352 A1 9/2016 Bar-El et al.  
 2016/0256353 A1 9/2016 Bar-El et al.  
 2016/0284239 A1 9/2016 Bergman et al.  
 2016/0296699 A1 10/2016 Cabiri  
 2016/0296716 A1 10/2016 Cabiri et al.  
 2017/0028132 A1 \* 2/2017 Cronenberg ..... A61M 5/1454

FOREIGN PATENT DOCUMENTS

WO WO 2014-081411 A1 5/2014  
 WO WO 2016-196934 A1 12/2016

OTHER PUBLICATIONS

BD Worldwide, "Self-Injection Systems", <http://www.bd.com/pharmaceuticals/products/self-injection/patch-injectors.asp>, © 2017, 2 pages.  
 OndrugDelivery, "Wearable Injectors", Sep. 19, 2016, Issue No. 70, 48 pages.  
 Sensile Medical AG, "SensePatch", [https://www.sensile-medical.com/assets/data-sheet\\_5002\\_senspatch.pdf](https://www.sensile-medical.com/assets/data-sheet_5002_senspatch.pdf), 2017, 2 pages.  
 Unilife Corporation, "Wearable Injectors", <http://www.unilife.com/product-platforms/WearableInjectors>, © 2016, 3 pages.  
 West Pharmaceutical Services, Inc., "SmartDose Platform", <http://www.westpharma.com/products/self-injection-platforms/smartdose>, © 2017, 3 pages.  
 Reynolds, "Intergrated Solutions for the Delivery of High-Volume Biologics", West Pharmaceutical Services, [www.ondrugdelivery.com](http://www.ondrugdelivery.com), Copyright 2014, 4 pages.

\* cited by examiner

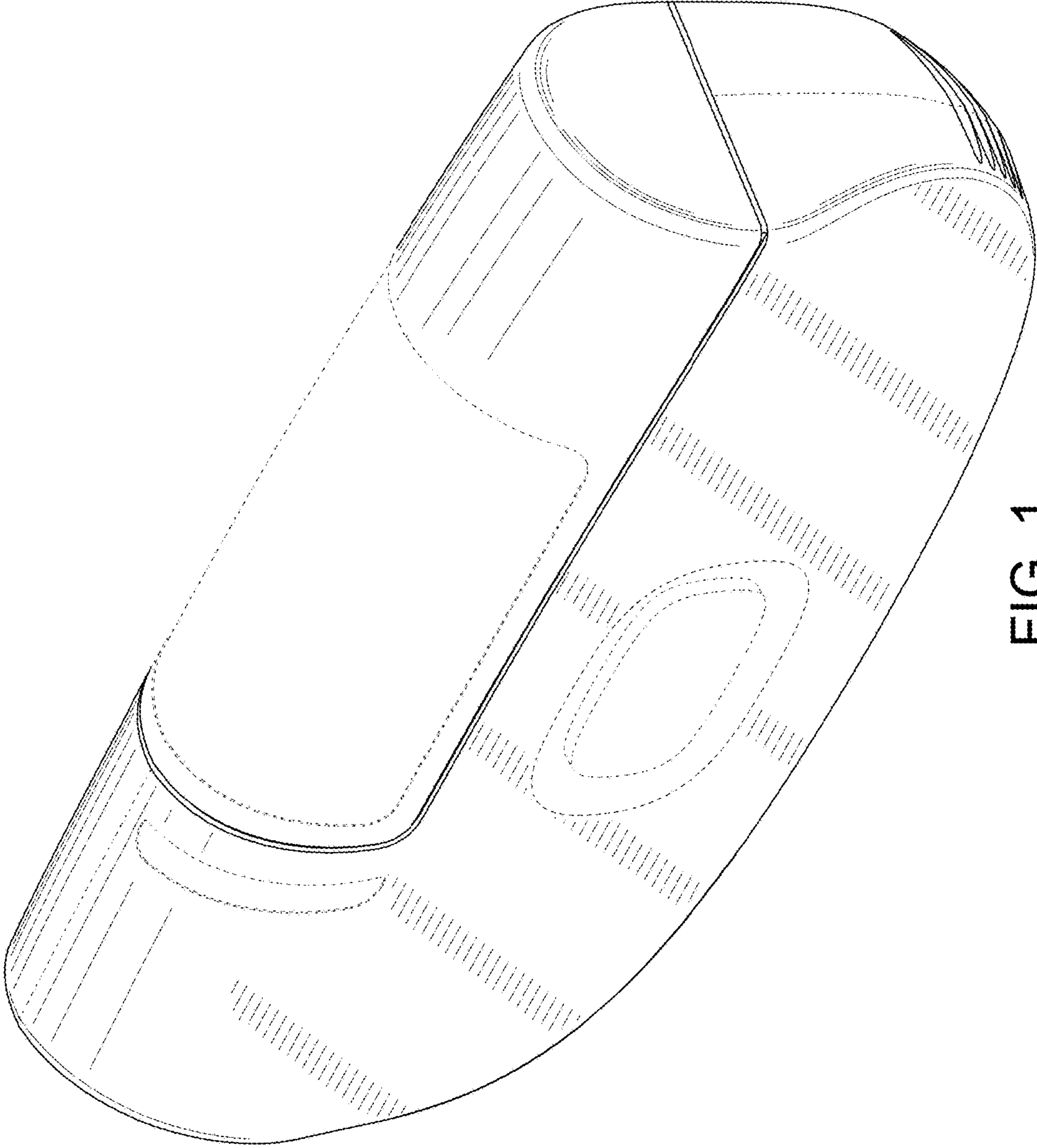


FIG. 1

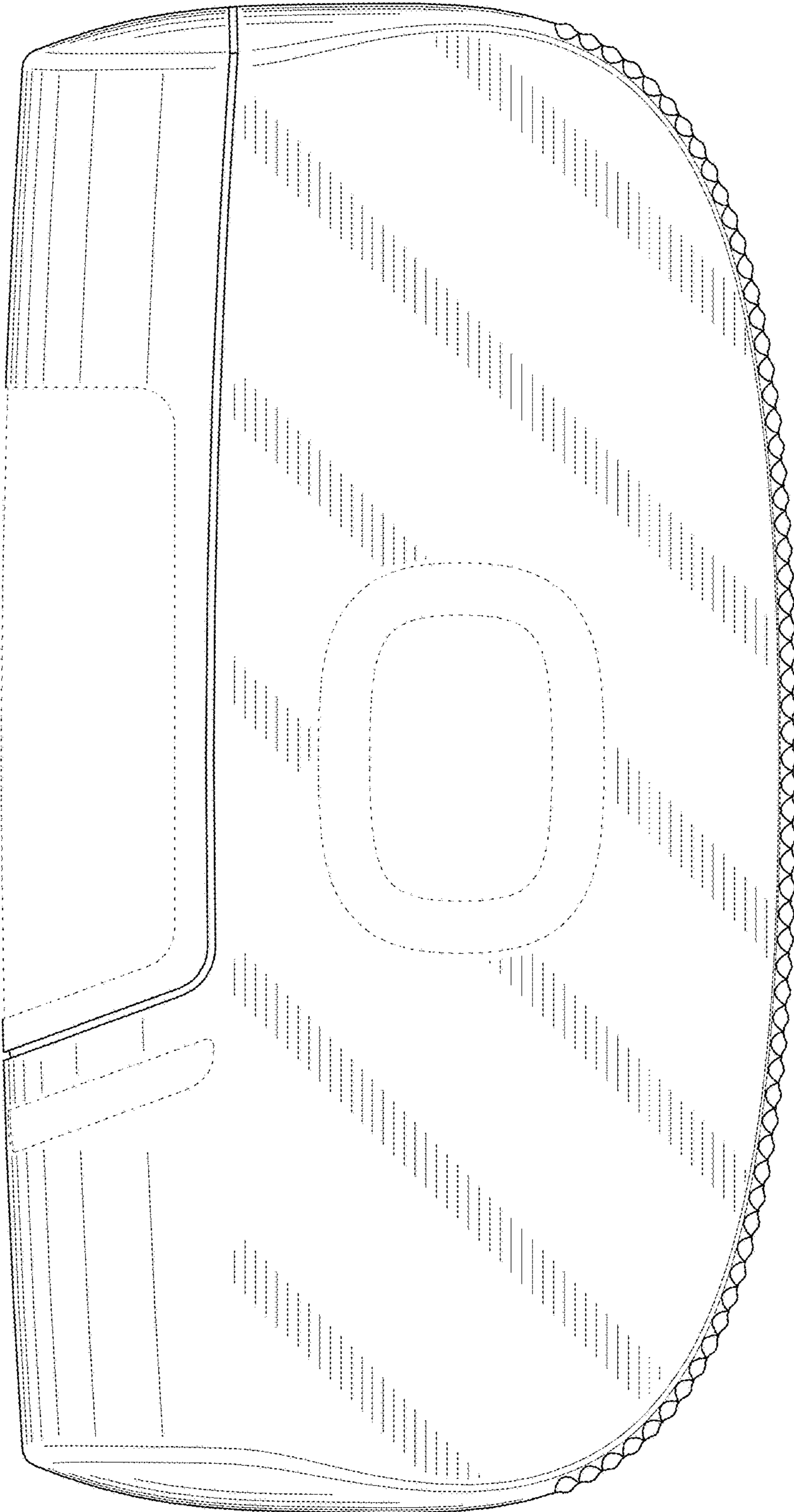


FIG. 2

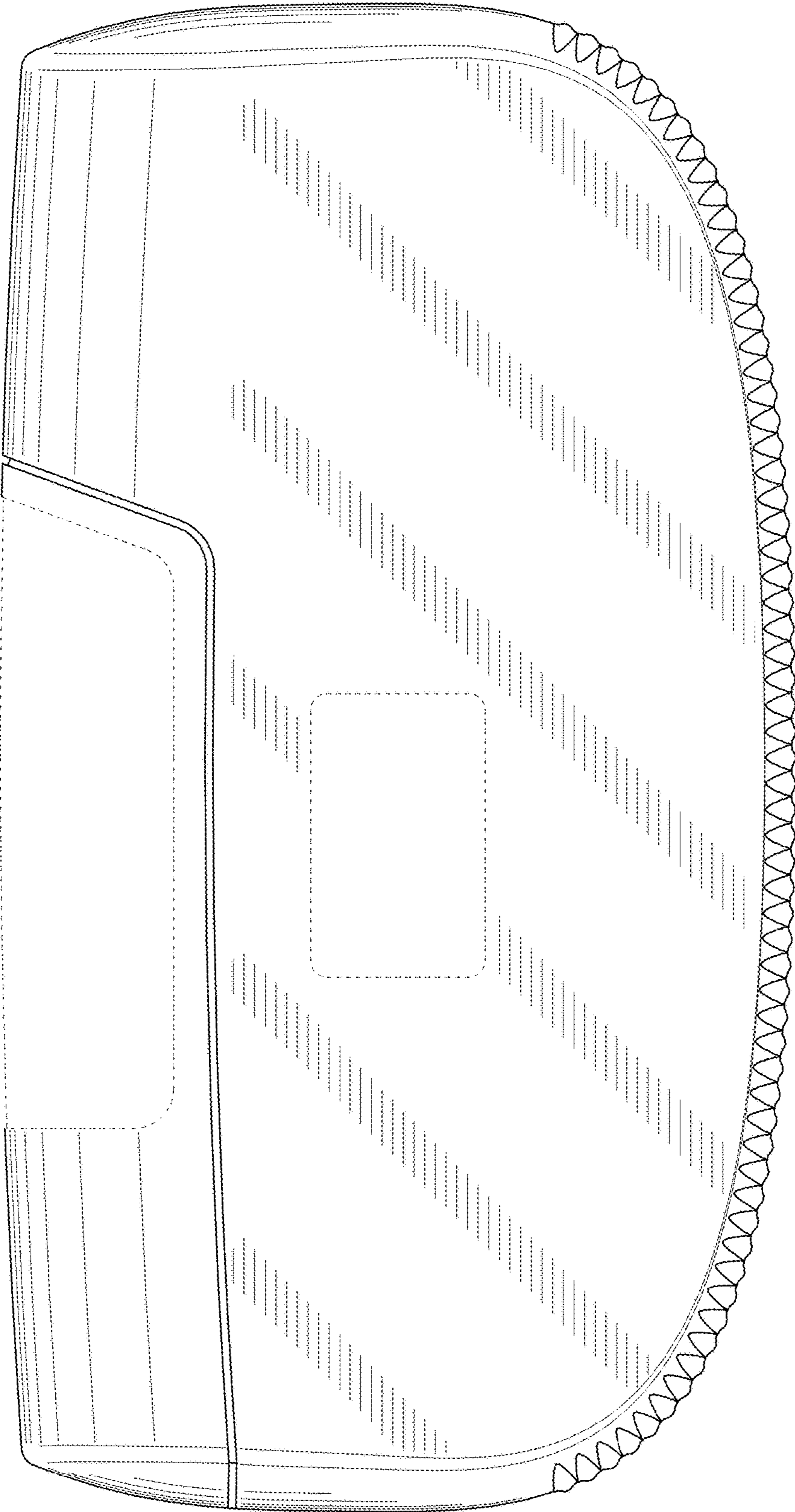


FIG. 3

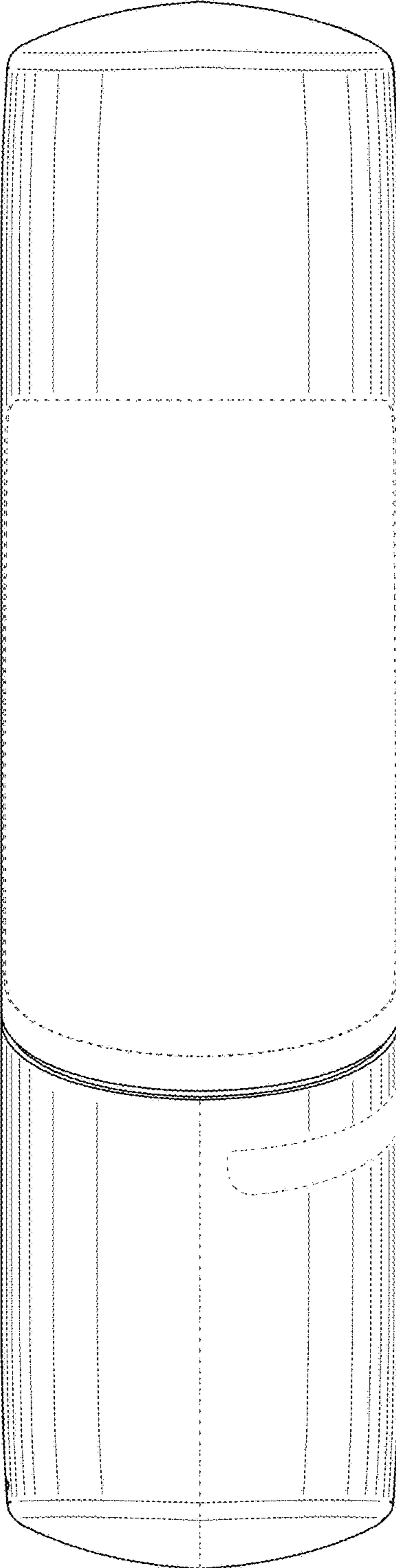


FIG. 4

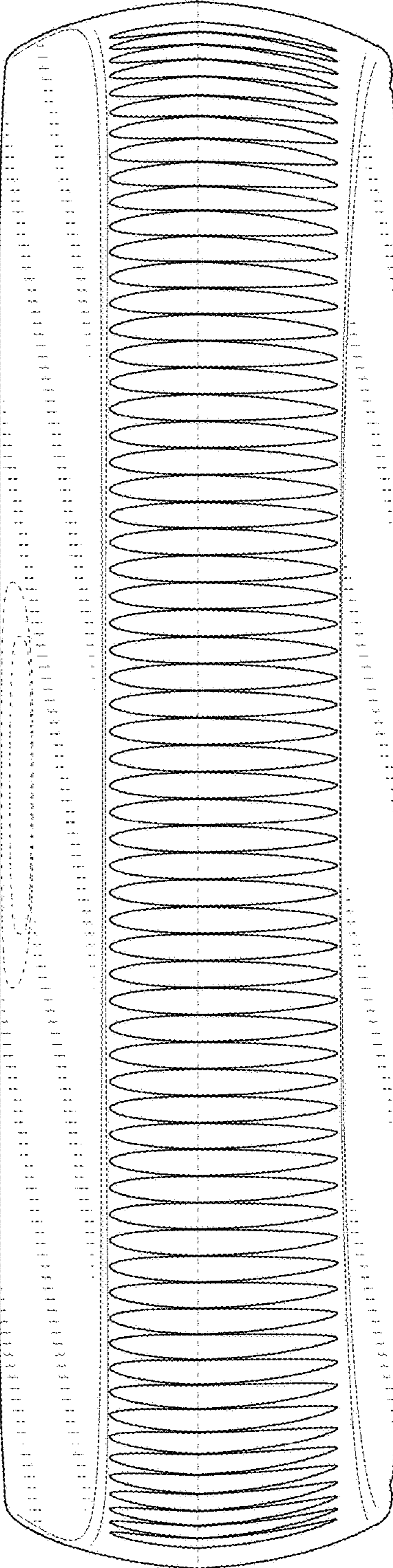


FIG. 5

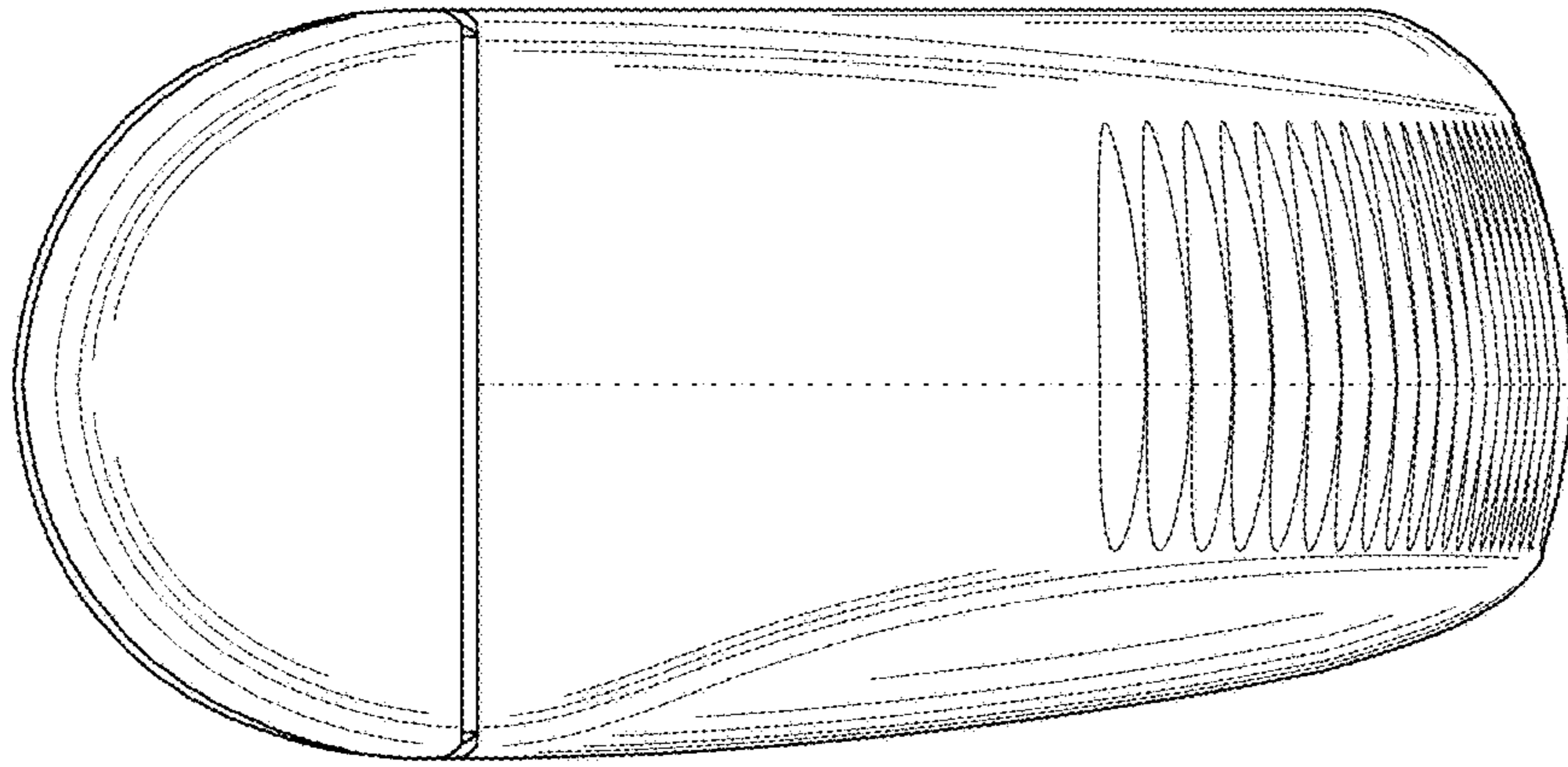


FIG. 7

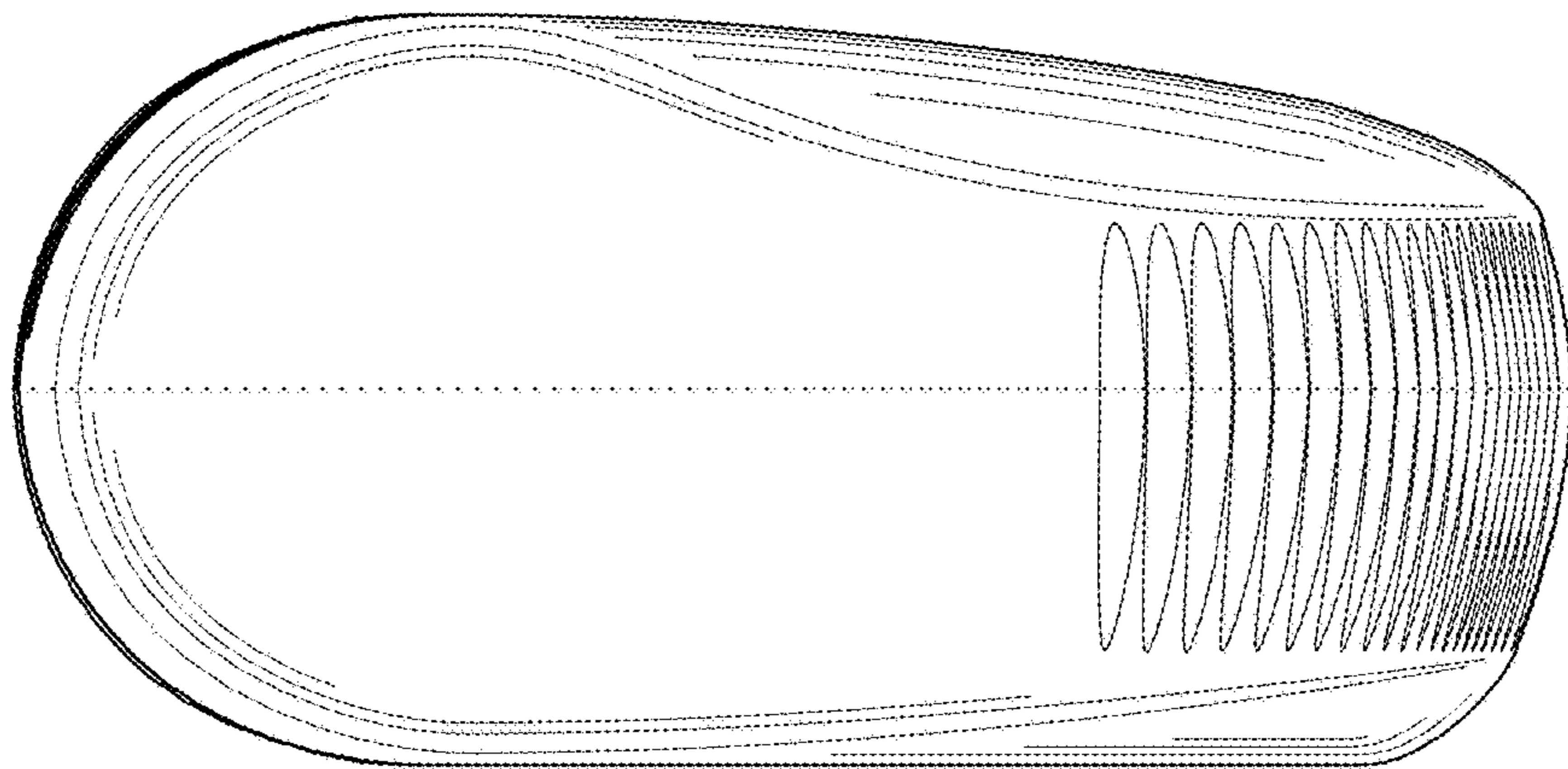


FIG. 6