



US00D805187S

(12) **United States Design Patent** (10) **Patent No.:** **US D805,187 S**
Costello et al. (45) **Date of Patent:** **** Dec. 12, 2017**

(54) **INJECTOR DEVICE**

D471,274 S 3/2003 Diaz et al.
6,530,900 B1 3/2003 Daily et al.
D474,543 S * 5/2003 Lee D24/186
(Continued)

(71) Applicant: **West Pharmaceutical Services, Inc.**,
Exton, PA (US)

FOREIGN PATENT DOCUMENTS

(72) Inventors: **Brian Costello**, Whitehouse Station, NJ
(US); **Antonio Belton**, Richton Park, IL
(US); **Edward Geiselhart**, Chicago, IL
(US); **Pachara Kangchirdsri**, Chicago,
IL (US); **Michael Lau**, Chicago, IL
(US); **Charlotte Lux**, Chicago, IL (US)

WO WO 2011-090956 A2 7/2011
WO WO 2012-032411 A2 3/2012
(Continued)

OTHER PUBLICATIONS

(73) Assignee: **West Pharmaceutical Services, Inc.**,
Exton, PA (US)

Amgen Inc., "The Neulasta Onpro Kit", <http://www.neulastahcp.com/neulasta-onpro/>, © 2016, 16 pages.
(Continued)

(**) Term: **15 Years**

Primary Examiner — David G Muller
Assistant Examiner — Nathan M Johnston
(74) *Attorney, Agent, or Firm* — Baker & Hostetler LLP;
Gregory A. Grissett, Esq.

(21) Appl. No.: **29/578,969**

(22) Filed: **Sep. 26, 2016**

(51) **LOC (10) Cl.** **24-02**

(52) **U.S. Cl.**
USPC **D24/113**

(58) **Field of Classification Search**
USPC D24/112-114, 133, 186, 127-131;
606/181, 185; 604/264, 272, 115, 232,
604/187, 158, 164.08, 192, 263, 163, 181,
604/184, 198, 227; 600/101, 139, 143;
128/200.24, 207.14, 207.15
CPC A61M 5/14248; A61M 5/14593; A61M
5/14526; A61M 2005/1452
See application file for complete search history.

(57) **CLAIM**
The design of an injector device, as shown and described.

DESCRIPTION

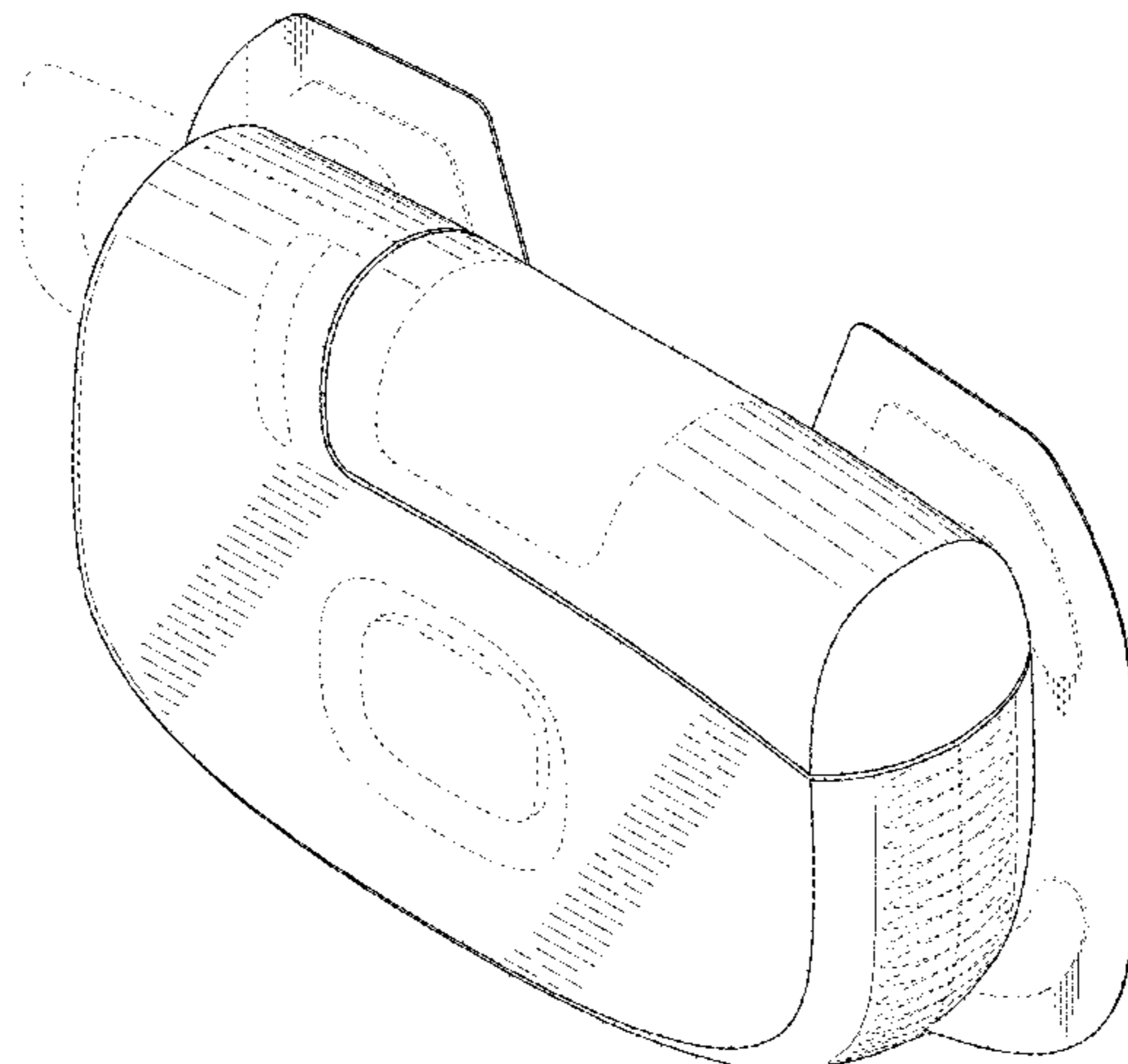
FIG. 1 is a top, front, right perspective view of an injector device showing our new design;
FIG. 2 is a front elevation view thereof;
FIG. 3 is a rear plan elevation view thereof;
FIG. 4 is a top plan view thereof;
FIG. 5 is a bottom plan view thereof.
FIG. 6 is a left side elevation view thereof; and,
FIG. 7 is a right side elevation view thereof.
In a preferred embodiment, the nature of the design is an injector device for delivering pharmaceutical agents. The dashed line portion of the drawings is included to show unclaimed subject matter only for the purpose of illustrating environment and forms no part of the claimed design. The dash-dot line portions in the drawings define a boundary of the claimed design and form no part thereof.

(56) **References Cited**

U.S. PATENT DOCUMENTS

D369,864 S * 5/1996 Petersen D24/169
D421,902 S * 3/2000 Hill D9/423
6,186,982 B1 2/2001 Gross et al.
D445,496 S * 7/2001 Anderson D24/110
6,500,150 B1 12/2002 Gross et al.

1 Claim, 5 Drawing Sheets



(56)

References Cited

U.S. PATENT DOCUMENTS

6,613,015 B2 9/2003 Sandstrom et al.
 6,800,071 B1 10/2004 McConnell et al.
 6,843,782 B2 1/2005 Gross et al.
 D544,092 S * 6/2007 Lewis D24/108
 D619,338 S 7/2010 Teichert et al.
 7,780,636 B2 8/2010 Radmer et al.
 7,967,795 B1 6/2011 Cabiri
 D640,920 S * 7/2011 Giraud D3/203.2
 D646,159 S * 10/2011 Bellamah D9/424
 8,152,779 B2 4/2012 Cabiri
 8,157,769 B2 4/2012 Cabiri
 8,210,172 B2 * 7/2012 Crowder A61M 15/0045
 128/200.24
 8,303,549 B2 11/2012 Mejlhede et al.
 8,313,467 B2 11/2012 Chong et al.
 8,348,898 B2 1/2013 Cabiri
 8,393,357 B2 3/2013 Chong et al.
 D684,686 S * 6/2013 Cronenberg D24/108
 D685,083 S * 6/2013 Schneider D24/108
 D685,084 S * 6/2013 Guarraia D24/108
 8,465,455 B2 6/2013 Cabiri
 D687,140 S * 7/2013 Guarraia D24/108
 D687,141 S * 7/2013 Schneider D24/108
 D687,536 S * 8/2013 Guarraia D24/108
 D688,784 S * 8/2013 Schneider D24/108
 D702,834 S 4/2014 Norton et al.
 8,882,711 B2 11/2014 Saulenas et al.
 D722,870 S * 2/2015 Fohner D9/424
 8,986,250 B2 3/2015 Beebe et al.
 9,011,164 B2 4/2015 Filman et al.
 9,173,997 B2 11/2015 Gross et al.
 D745,661 S 12/2015 Collins et al.
 D753,810 S * 4/2016 Chang D24/108
 D755,950 S * 5/2016 Meliniotis D24/110
 D760,374 S 6/2016 Nagar et al.
 9,373,269 B2 6/2016 Bergman et al.
 D764,047 S * 8/2016 Bjelovuk D24/108
 9,421,323 B2 8/2016 Cabiri et al.
 D770,037 S 10/2016 Schleicher et al.
 9,463,280 B2 10/2016 Cabiri
 9,492,614 B2 11/2016 Kamen et al.
 D776,262 S * 1/2017 Tyce D24/113
 D776,265 S * 1/2017 Tyce D24/113
 D777,331 S * 1/2017 Jayalath D14/344
 9,656,019 B2 5/2017 Cabiri et al.
 2007/0021733 A1 1/2007 Hansen et al.
 2008/0215015 A1 9/2008 Cindrich et al.
 2009/0093792 A1 4/2009 Gross
 2012/0035546 A1 2/2012 Cabiri
 2013/0110049 A1 5/2013 Cronenberg et al.

2013/0245596 A1 9/2013 Cabiri et al.
 2013/0253472 A1 9/2013 Cabiri et al.
 2013/0296799 A1 11/2013 Degtiar et al.
 2013/0304021 A1 11/2013 Cabiri et al.
 2013/0310753 A1 11/2013 Cabiri
 2014/0128815 A1 5/2014 Cabiri et al.
 2014/0207067 A1 7/2014 Kamen et al.
 2014/0330240 A1 11/2014 Cabiri et al.
 2014/0346378 A1 11/2014 Kua et al.
 2014/0350459 A1 11/2014 Lanier, Jr. et al.
 2015/0011965 A1 1/2015 Cabiri
 2015/0157786 A1 6/2015 Sonderegger et al.
 2015/0165121 A1 6/2015 Murakami et al.
 2015/0359965 A1 * 12/2015 O'Connor A61M 5/141
 604/123
 2016/0058941 A1 * 3/2016 Wu A61M 5/3134
 604/136
 2016/0082184 A1 * 3/2016 Hanagan A61M 5/14228
 604/151
 2016/0121043 A1 5/2016 Weibel
 2016/0256352 A1 9/2016 Bar-El et al.
 2016/0256353 A1 9/2016 Bar-El et al.
 2016/0284239 A1 9/2016 Bergman et al.
 2016/0296699 A1 10/2016 Cabiri
 2016/0296716 A1 10/2016 Cabiri et al.
 2017/0028132 A1 * 2/2017 Cronenberg A61M 5/1454

FOREIGN PATENT DOCUMENTS

WO WO 2014-081411 A1 5/2014
 WO WO 2016-196934 A1 12/2016

OTHER PUBLICATIONS

BD Worldwide, "Self-Injection Systems", <http://www.bd.com/pharmaceuticals/products/self-injection/patch-injectors.asp>, © 2017, 2 pages.
 OndrugDelivery, "Wearable Injectors", Sep. 19, 2016, Issue No. 70, 48 pages.
 Sensile Medical AG, "SensePatch", https://www.sensile-medical.com/assets/data-sheet_5002_senspatch.pdf, 2017, 2 pages.
 Unilife Corporation, "Wearable Injectors", <http://www.unilife.com/product-platforms/WearableInjectors>, © 2016, 3 pages.
 West Pharmaceutical Services, Inc., "SmartDose Platform", <http://www.westpharma.com/products/self-injection-platforms/smartdose>, © 2017, 3 pages.
 Reynolds, "Intergrated Solutions for the Delivery of High-Volume Biologics", West Pharmaceutical Services, www.ondrugdelivery.com, Copyright 2014, 4 pages.

* cited by examiner

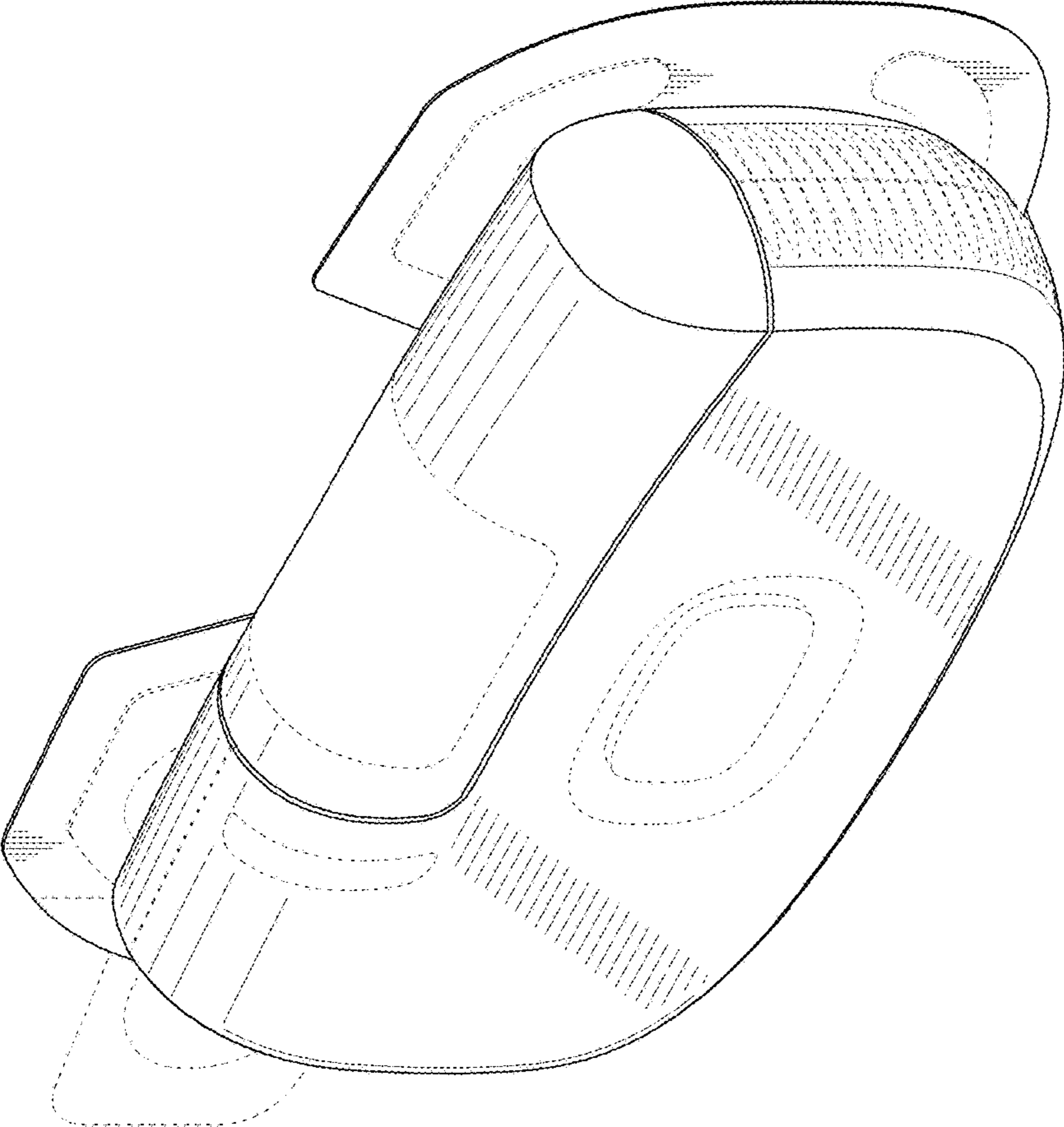


FIG. 1

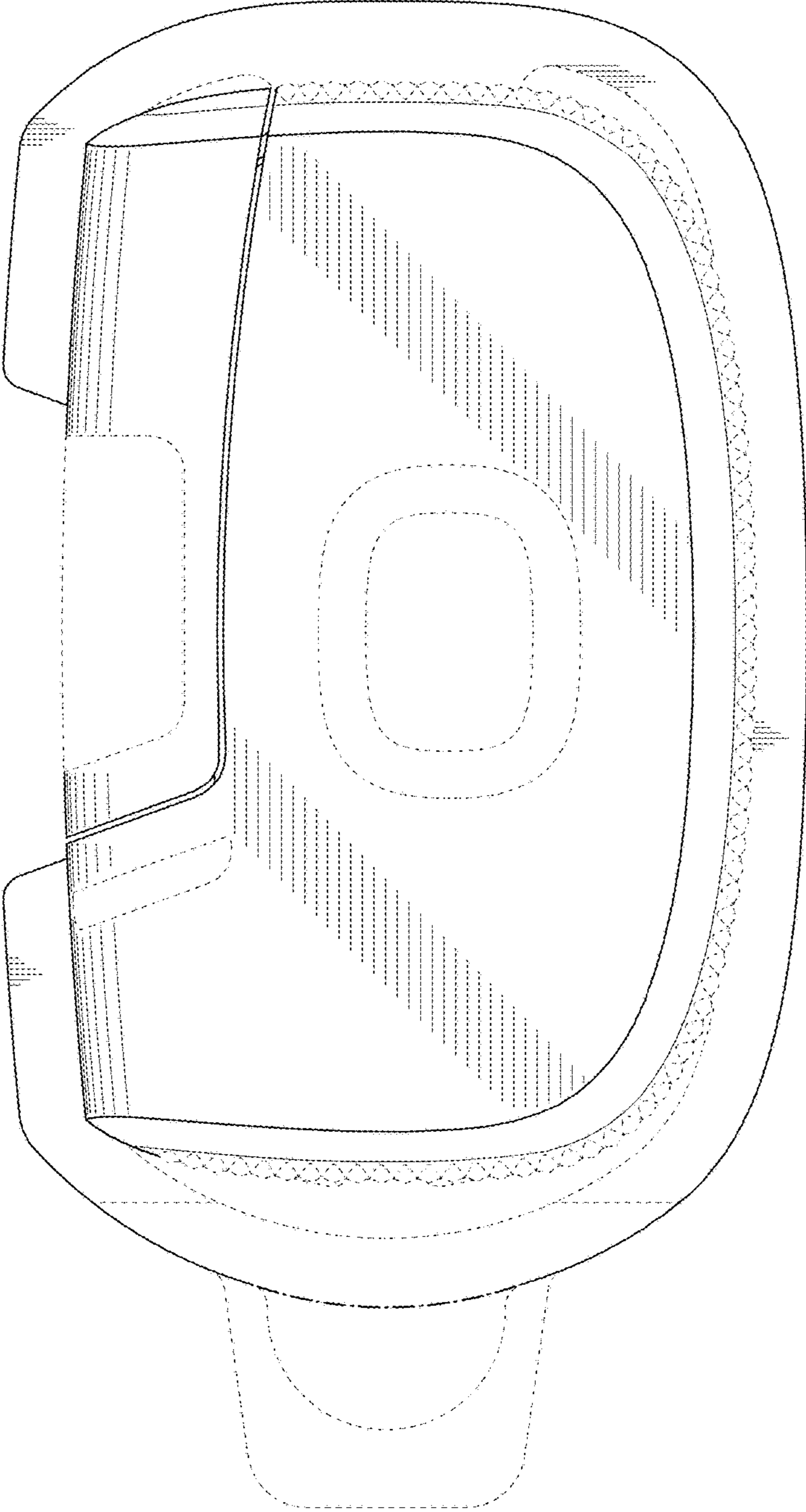


FIG. 2

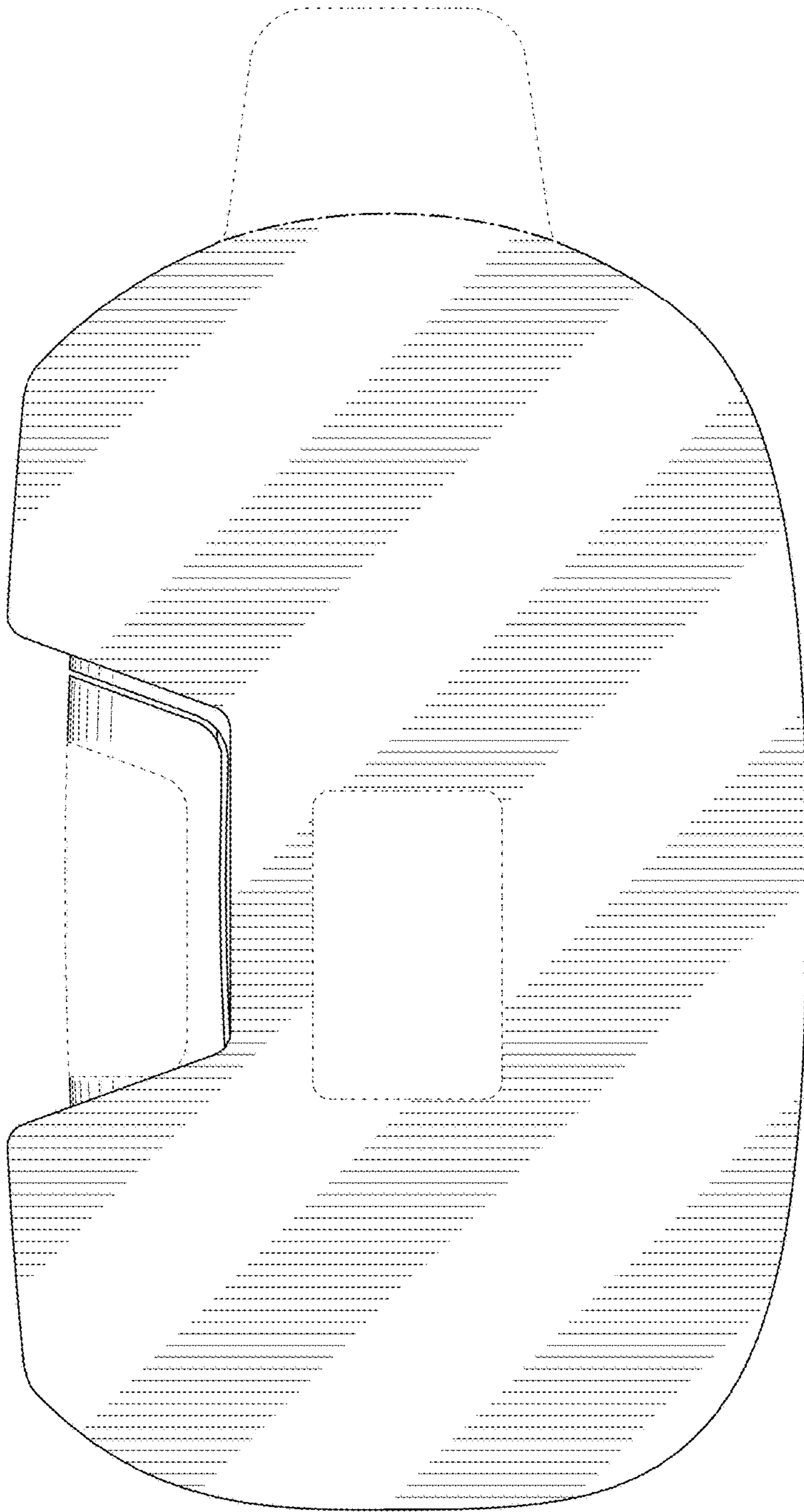


FIG. 3

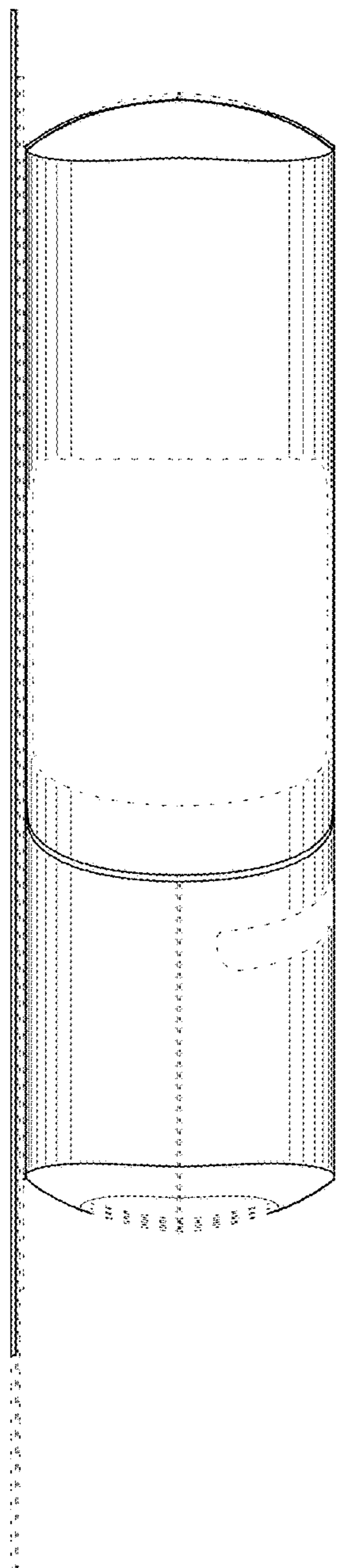


FIG. 4

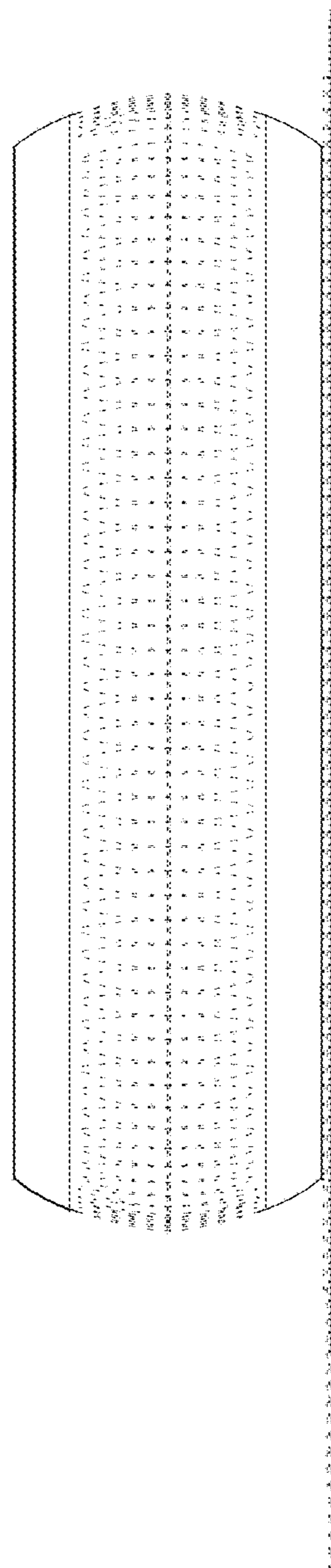


FIG. 5

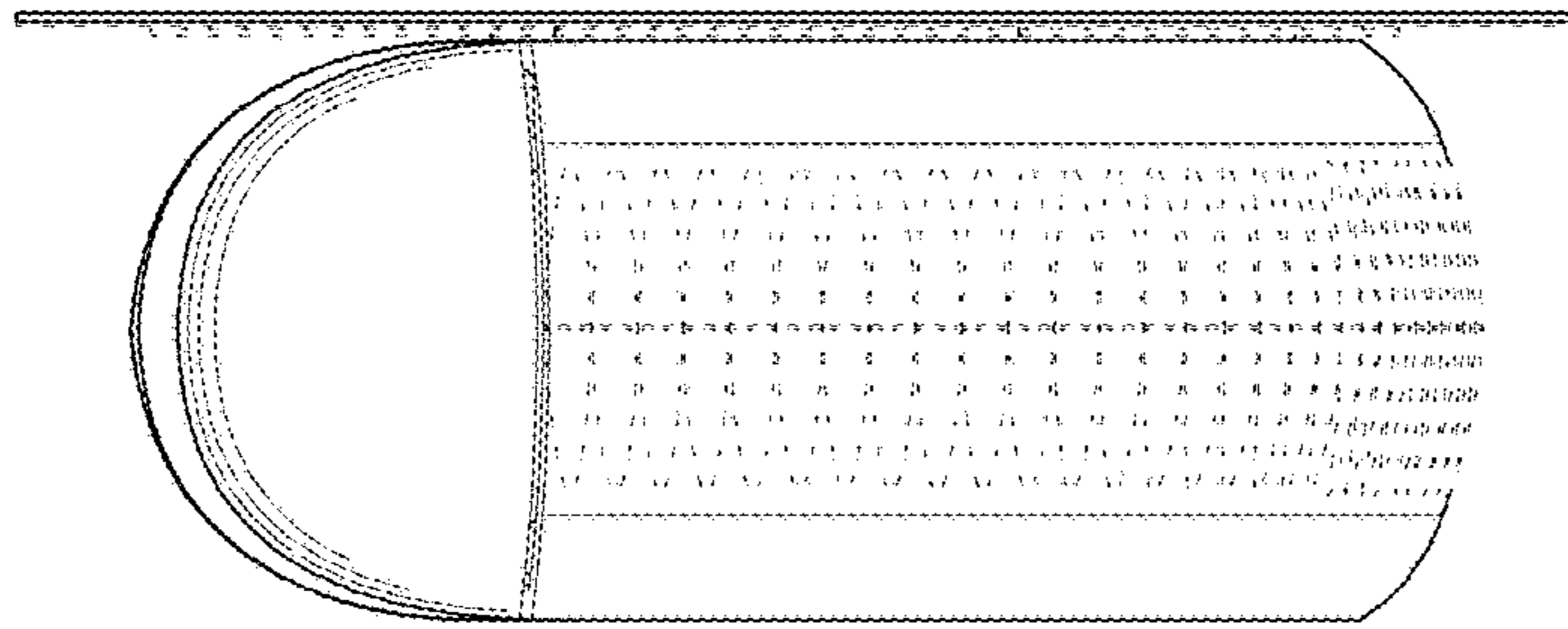


FIG. 7

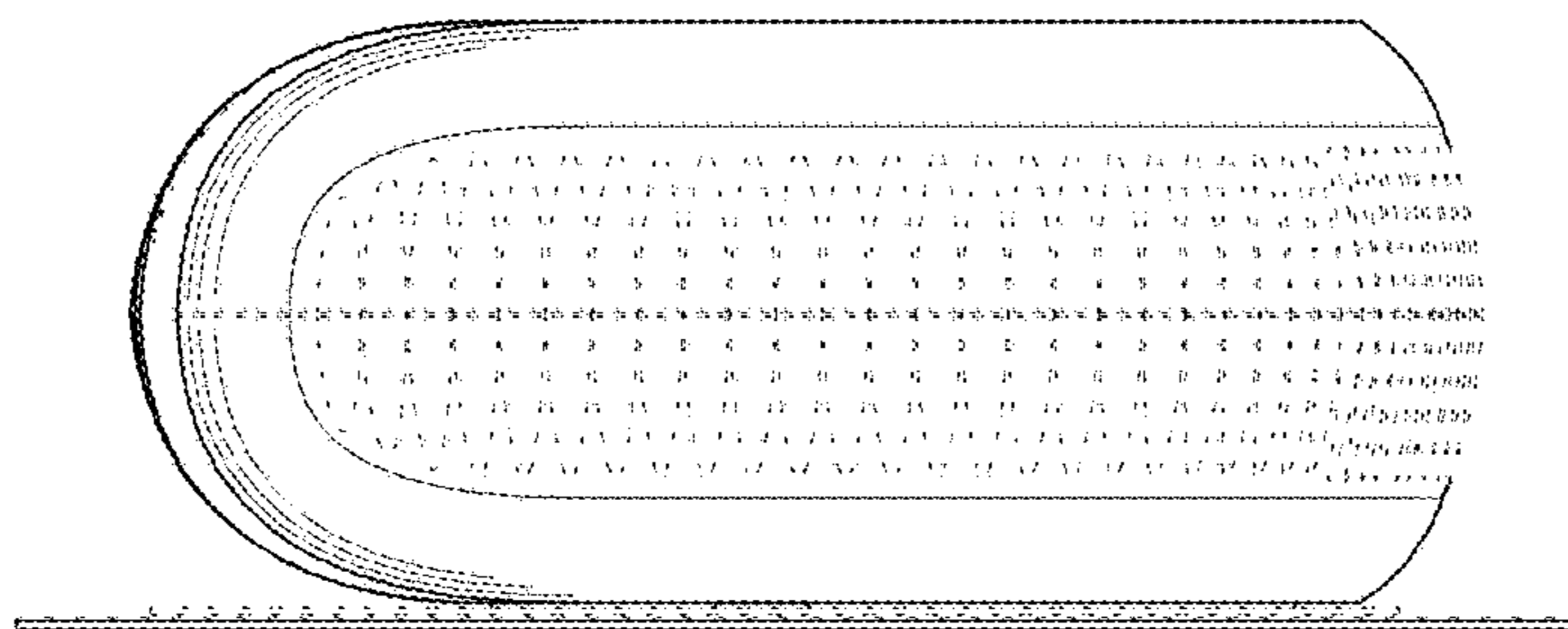


FIG. 6