



US00D805184S

(12) **United States Design Patent** (10) **Patent No.:** **US D805,184 S**
Eves et al. (45) **Date of Patent:** **** Dec. 12, 2017**

(54) **CUSHION FOR RESPIRATORY MASK**
(71) Applicant: **ResMed Limited**, Bella Vista, New South Wales (AU)

6,082,360 A 7/2000 Rudolph et al.
D431,077 S 9/2000 McGinnis et al.
D499,803 S 12/2004 Chang
(Continued)

(72) Inventors: **Matthew Eves**, Sydney (AU); **Adam Francis Barlow**, Sydney (AU); **Lochlan Von Moger**, Sydney (AU)

FOREIGN PATENT DOCUMENTS

EP 0998319 B1 11/2004
EP 1057494 B1 11/2004
(Continued)

(73) Assignee: **ResMed Limited**, Bella Vista (AU)

(**) Term: **15 Years**

OTHER PUBLICATIONS

(21) Appl. No.: **29/555,505**

Written Opinion of the International Searching Authority and International Search Report for PCT/AU2010/000684, dated Sep. 15, 2010, 20 pages.

(22) Filed: **Feb. 23, 2016**

(Continued)

Related U.S. Application Data

(62) Division of application No. 29/473,467, filed on Nov. 22, 2013, now Pat. No. Des. 753,814, which is a division of application No. 29/452,566, filed on Apr. 18, 2013, now Pat. No. Des. 696,396, which is a division of application No. 29/380,213, filed on Dec. 1, 2010, now Pat. No. Des. 683,446.

Primary Examiner — Garth Rademaker
Assistant Examiner — Lilyana Bekic

(74) *Attorney, Agent, or Firm* — Nixon & Vanderhye P.C.

(51) **LOC (10) Cl.** **29-02**

(52) **U.S. Cl.**
USPC **D24/110.4**

(58) **Field of Classification Search**
USPC D24/110–110.5, 127, 164
CPC A61M 16/0622; A61M 16/0616; A61M 16/0816; A61M 16/08; A61M 16/0633; A61M 16/06; A61M 16/0666; A61M 2210/0618; A61M 16/0683
See application file for complete search history.

(57) **CLAIM**

The ornamental design for a cushion for respiratory mask, as shown and described.

DESCRIPTION

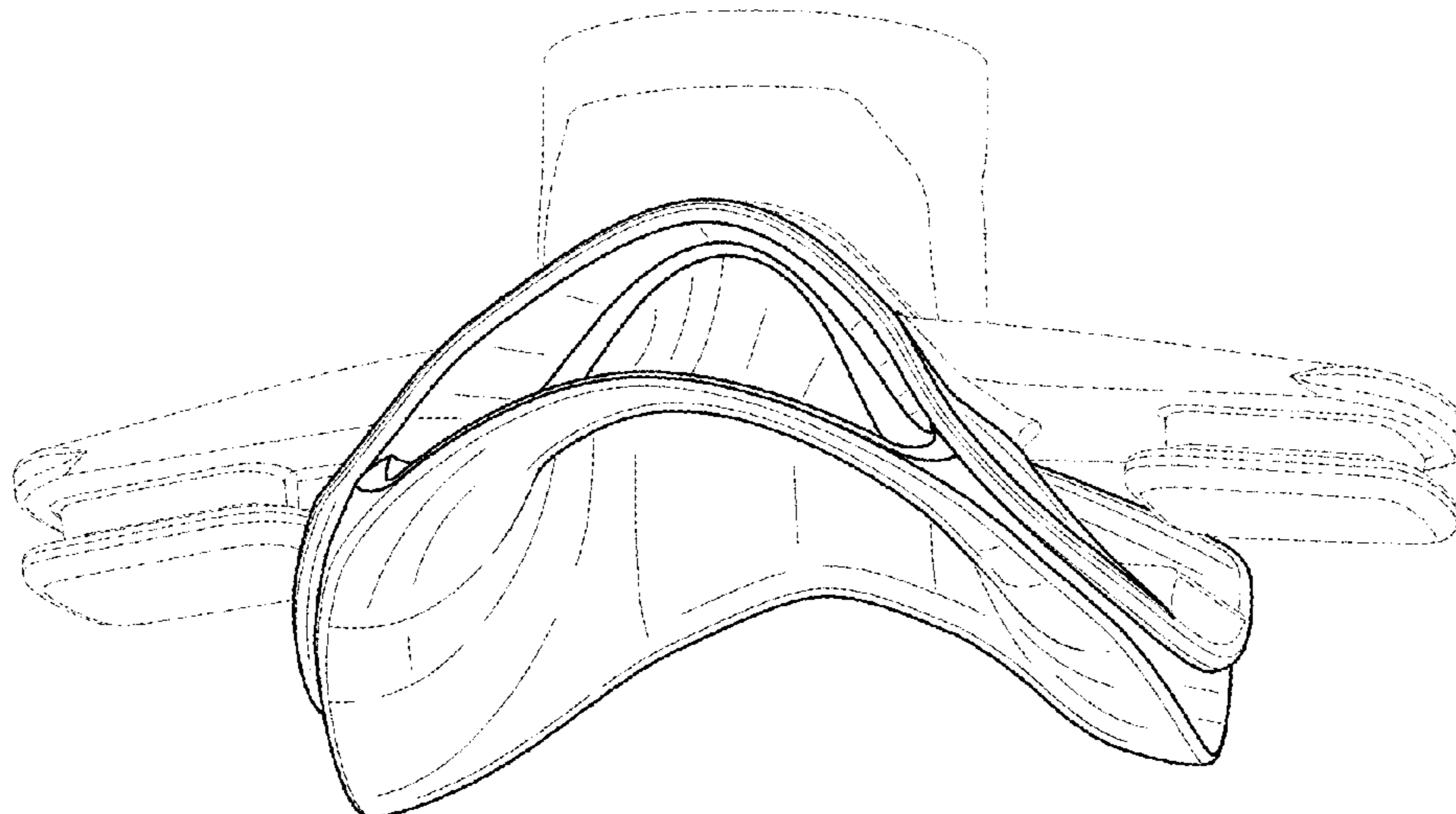
FIG. 1 is a top perspective view of a cushion for respiratory mask according to our new design;
FIG. 2 is a front view thereof;
FIG. 3 is a rear view thereof;
FIG. 4 is a top view thereof;
FIG. 5 is a bottom view thereof;
FIG. 6 is a right side view thereof; and,
FIG. 7 is a bottom perspective view thereof.
The broken lines in the drawings illustrate portions of the cushion for respiratory mask that form no part of the claimed design.
The dot-dot broken lines define the bounds of the claimed design and form no part thereof.

(56) **References Cited**

U.S. PATENT DOCUMENTS

5,429,683 A 7/1995 Mitouard
5,660,174 A 8/1997 Jacobelli
5,724,965 A 3/1998 Handke et al.
D397,215 S 8/1998 Hoftman

1 Claim, 5 Drawing Sheets



(56)

References Cited

U.S. PATENT DOCUMENTS

556,898 A1 12/2007 Guney et al.
 557,408 A1 12/2007 Amarasinghe et al.
 D583,930 S 12/2008 McAuley et al.
 D585,981 S 2/2009 Moore et al.
 7,500,480 B2 3/2009 Matula et al.
 7,523,754 B2 4/2009 Lithgow et al.
 7,546,837 B2 6/2009 Busch et al.
 8,042,538 B2 10/2011 Ging et al.
 8,402,971 B2 3/2013 Scheiner et al.
 D683,446 S 5/2013 Eves et al.
 8,573,201 B2 11/2013 Rummery et al.
 D696,369 S 12/2013 Eves et al.
 D696,396 S * 12/2013 Eves D24/110.4
 D753,814 S * 4/2016 Eves D24/110.4
 D758,564 S * 6/2016 Eves D24/110.4
 2004/0221850 A1 11/2004 Ging et al.
 2005/0028822 A1 2/2005 Sleeper et al.
 2008/0047560 A1 2/2008 Veliss et al.
 2008/0121235 A1 5/2008 Ging et al.

2009/0095301 A1 4/2009 Hitchcock et al.
 2012/0067349 A1* 3/2012 Barlow A61M 16/06
 128/205.25
 2013/0220327 A1* 8/2013 Barlow A61M 16/0683
 128/205.25
 2014/0283843 A1* 9/2014 Eves A61M 11/00
 128/206.24

FOREIGN PATENT DOCUMENTS

WO WO 2008/011682 A1 1/2008
 WO WO 2010/139014 A1 12/2010

OTHER PUBLICATIONS

Australian Patent Examination Report No. 1 for AU 2010256351, issued Aug. 28, 2012, 5 pages.
 New Zealand Examination Report for NZ 596486, issued Oct. 5, 2012, 2 pages.
 Eves et al., U.S. Appl. No. 29/473,467, filed Nov. 22, 2013.

* cited by examiner

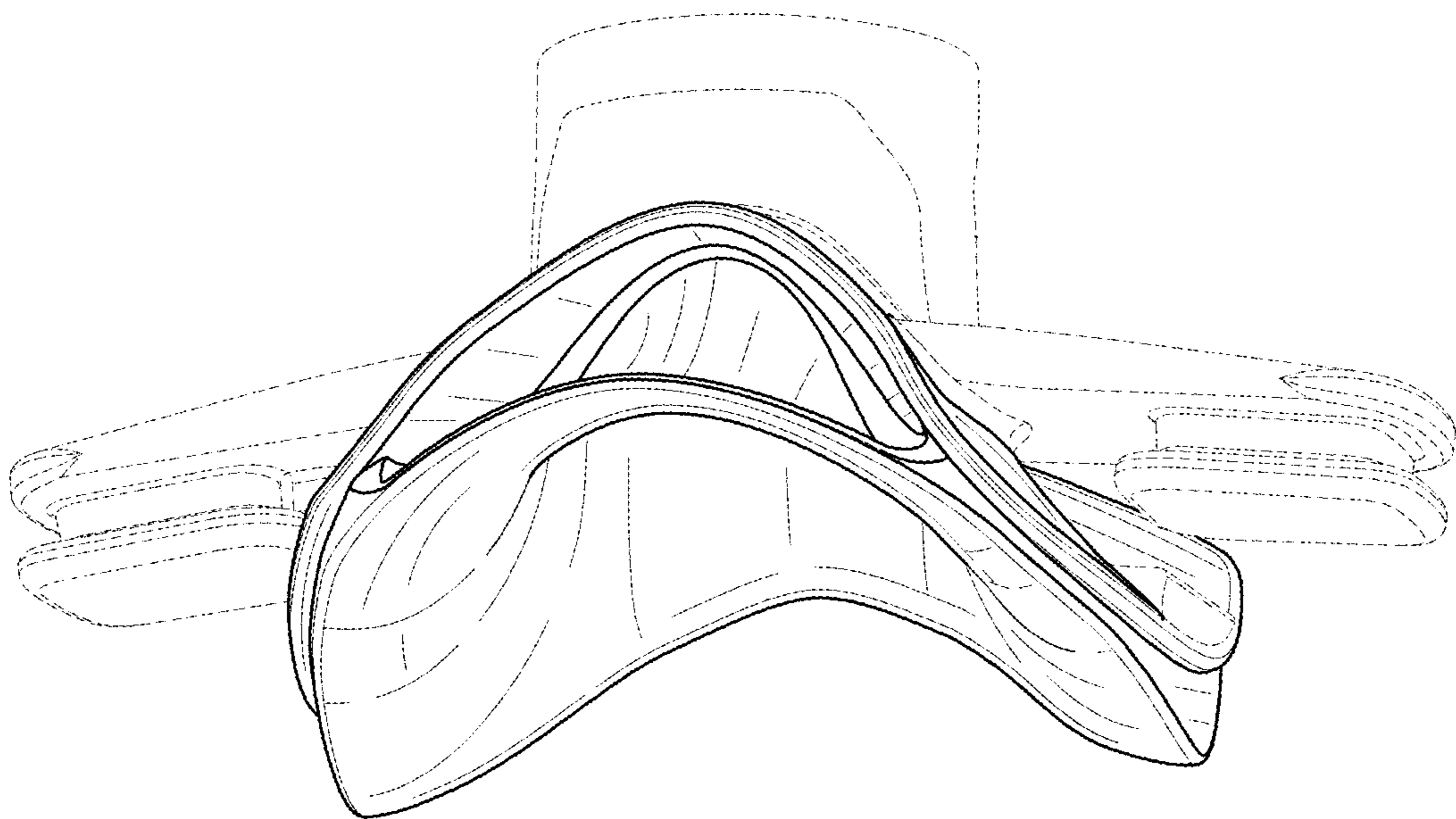


FIG. 1

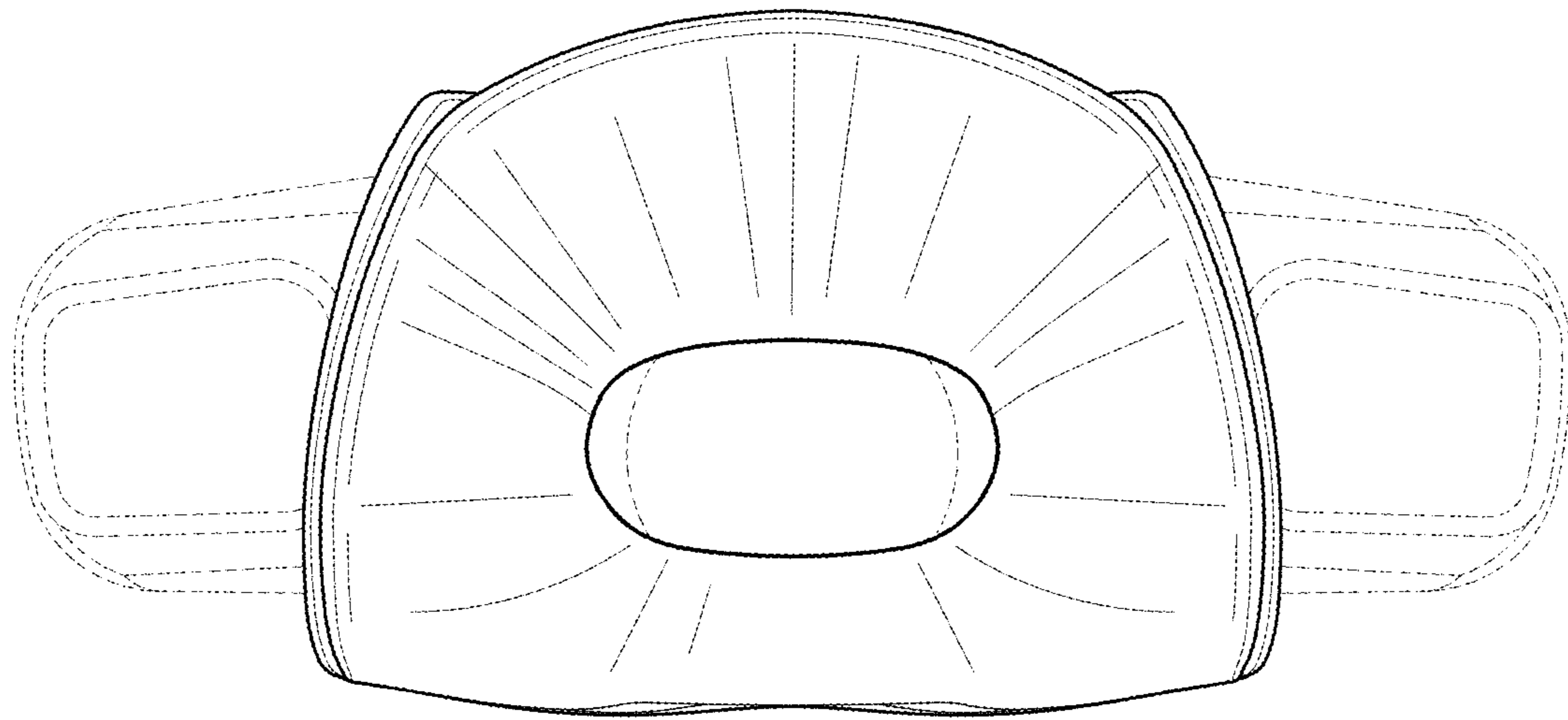


FIG. 2

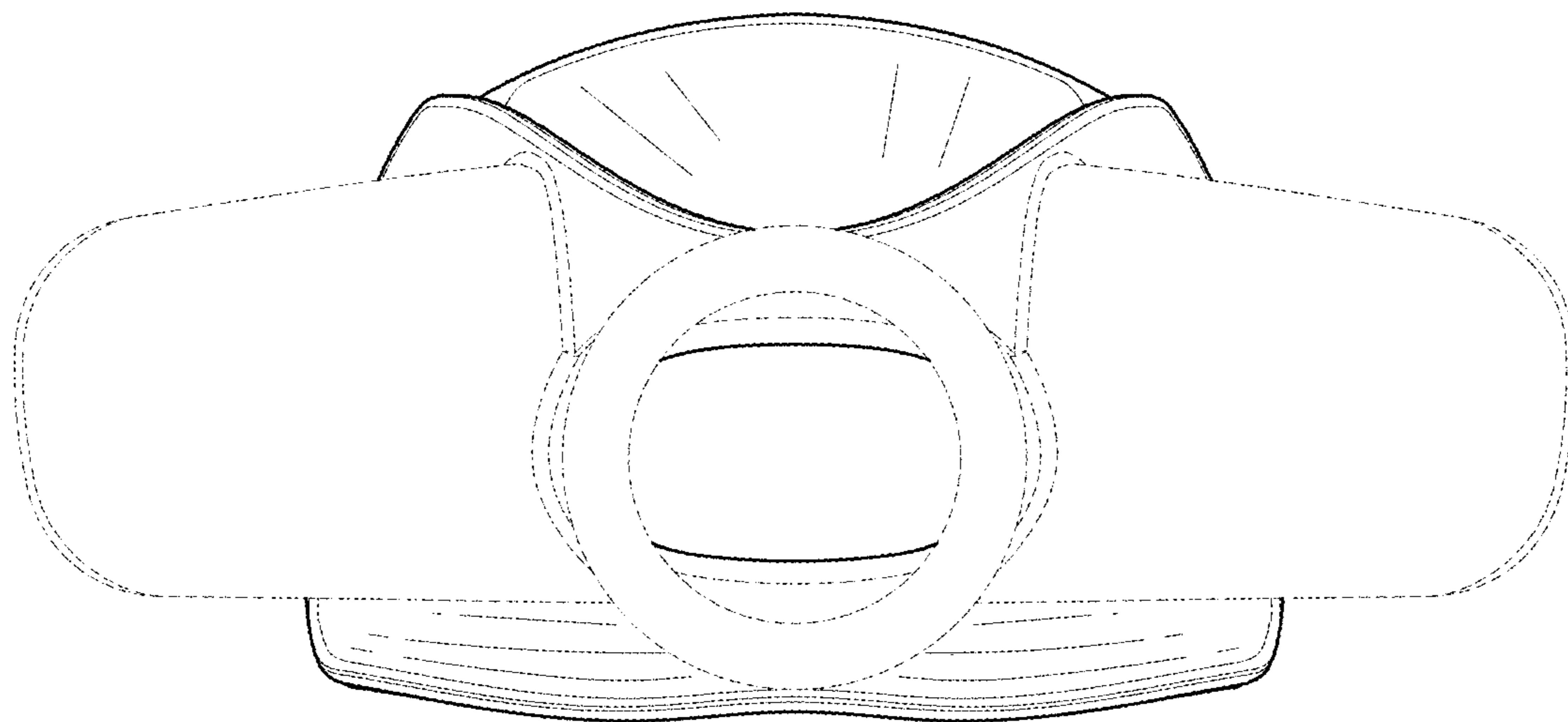


FIG. 3

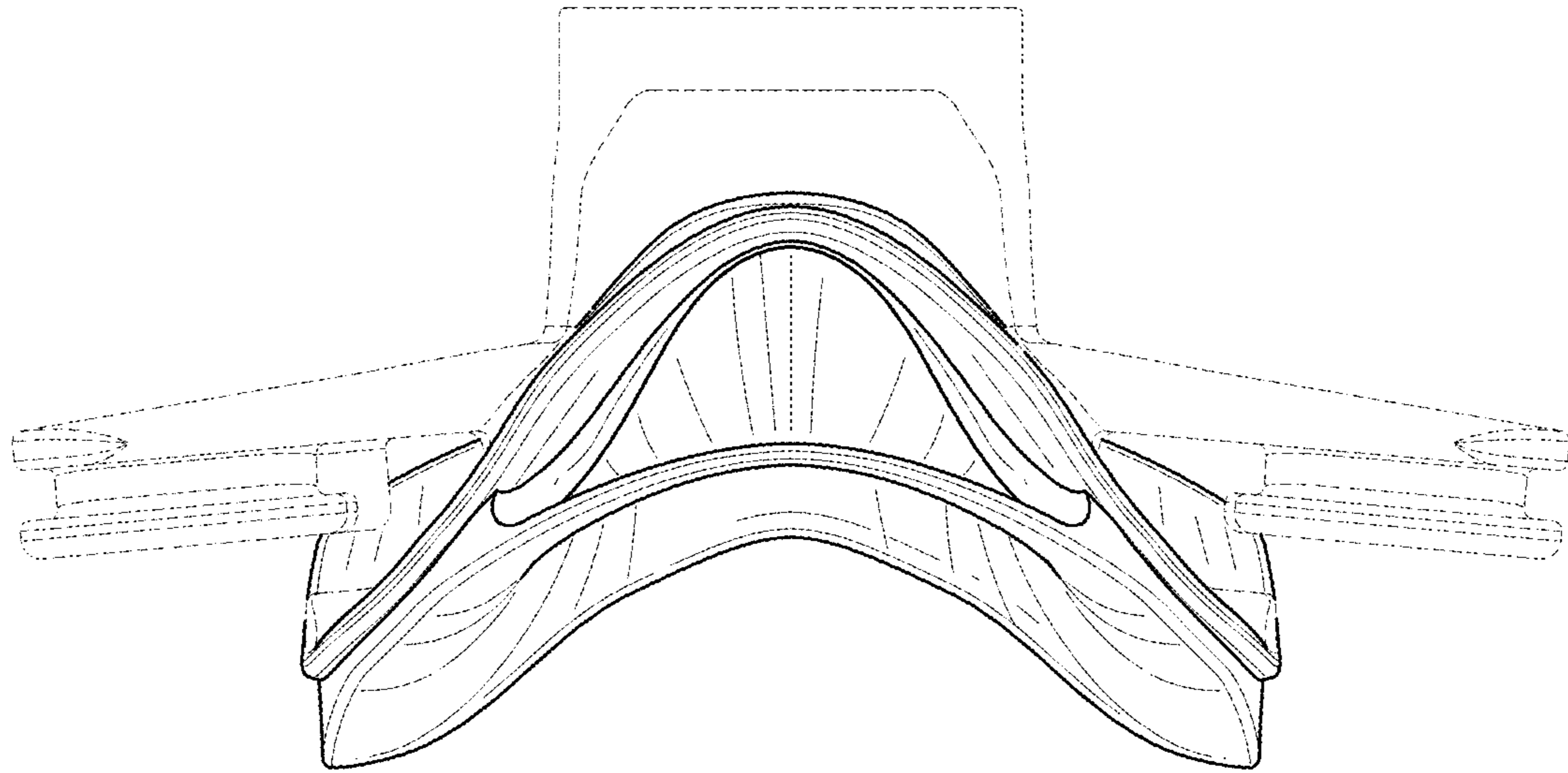


FIG. 4

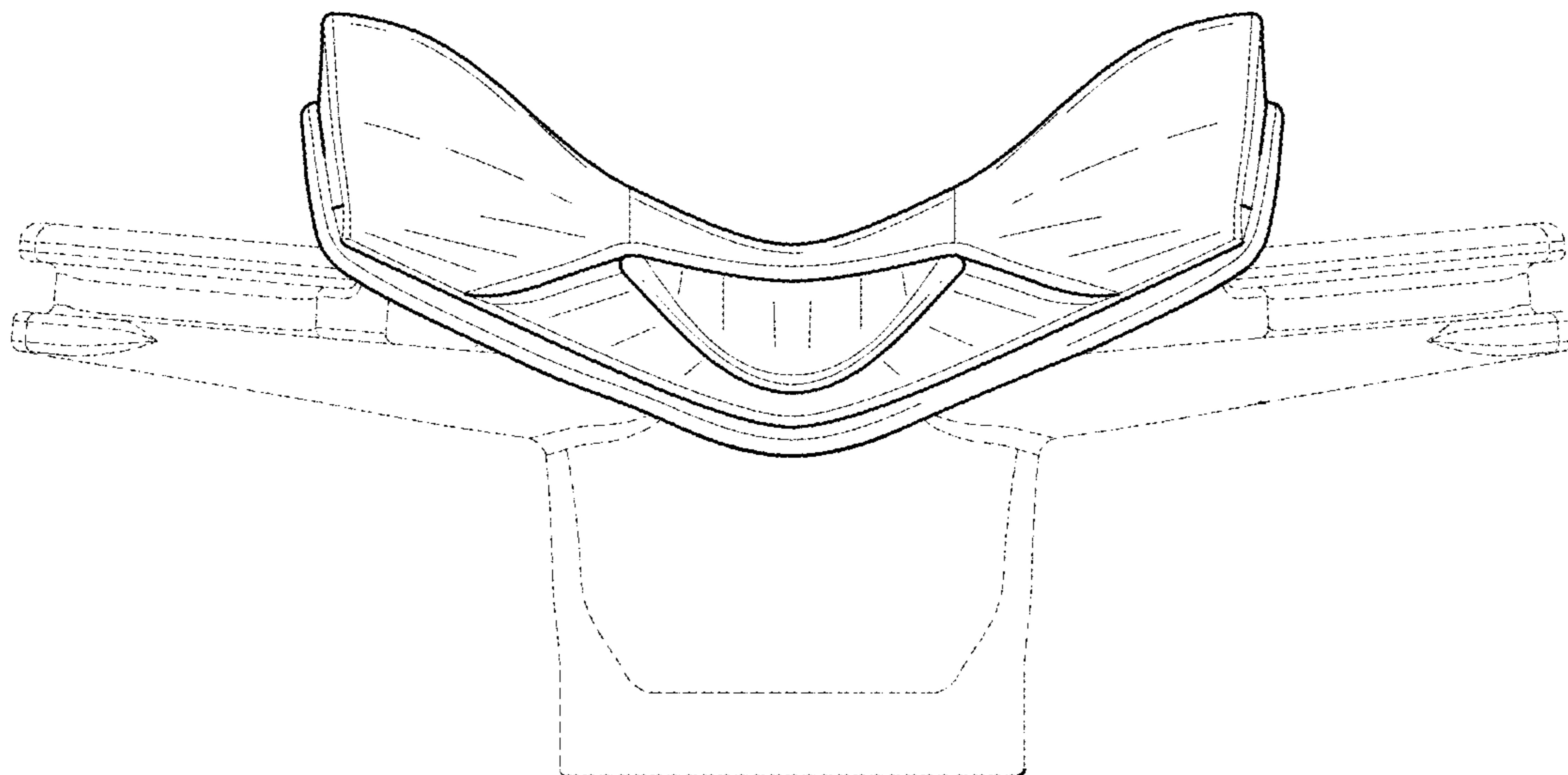


FIG. 5

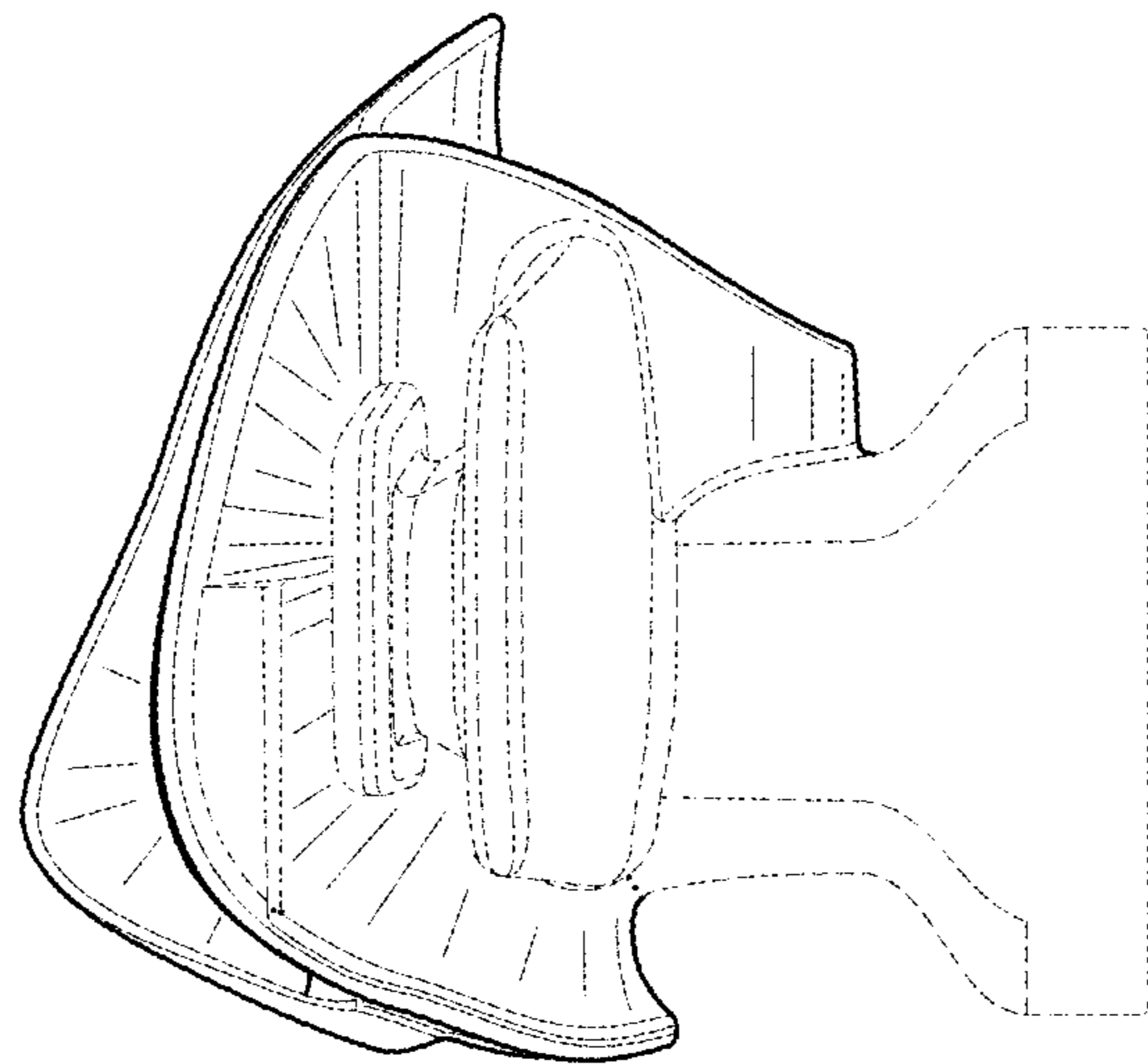


FIG. 6

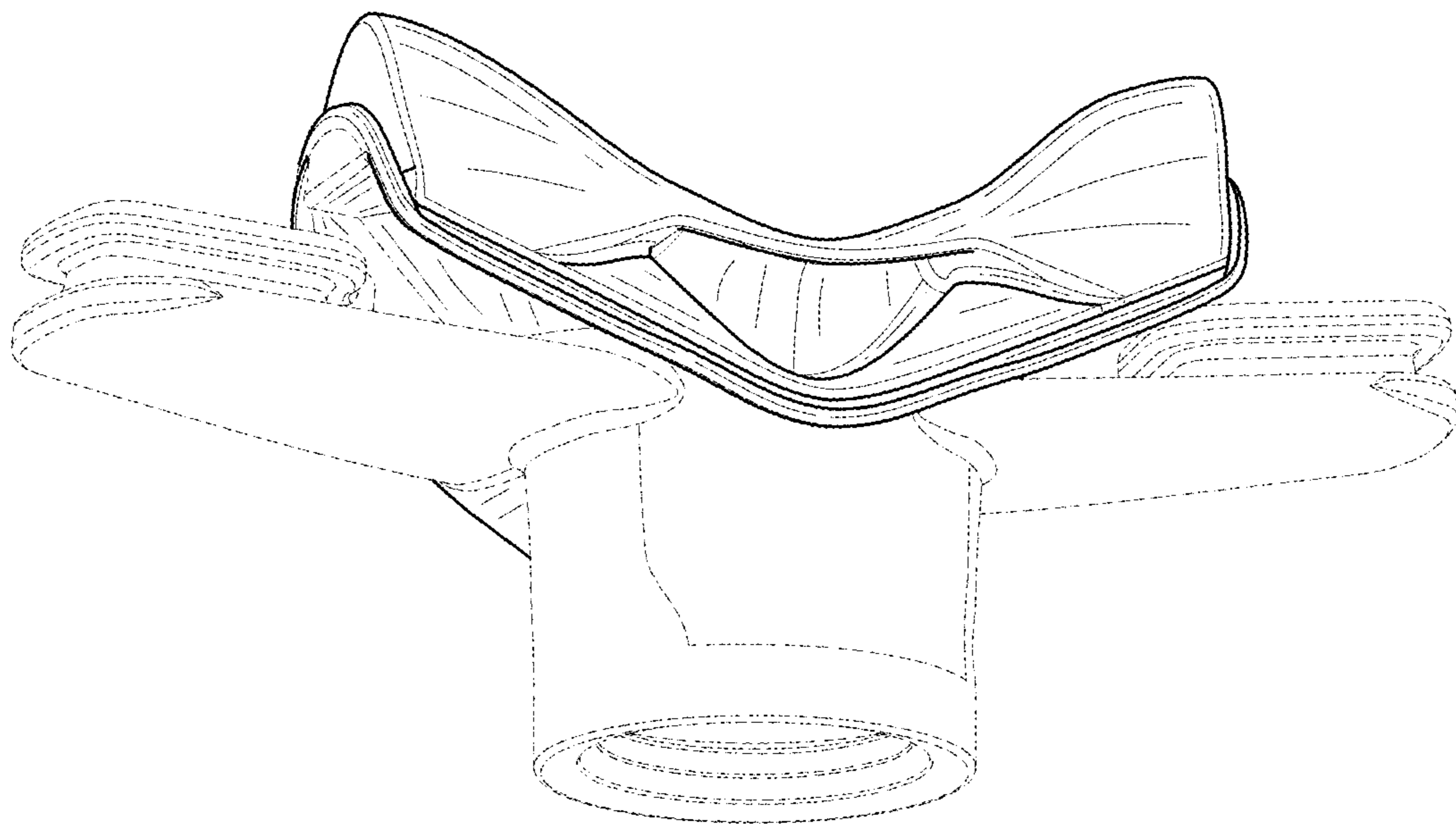


FIG. 7