



US00D805182S

(12) **United States Design Patent** (10) **Patent No.:** **US D805,182 S**
Pickett (45) **Date of Patent:** **** Dec. 12, 2017**

(54) **CEILING FAN HOUSING**
(71) Applicant: **YOUNGO LIMITED**, Hong Kong (CN)
(72) Inventor: **Mark Pickett**, Altadena, CA (US)
(73) Assignee: **YOUNGO LIMITED**, Central (HK)
(**) Term: **15 Years**
(21) Appl. No.: **29/568,225**
(22) Filed: **Jun. 16, 2016**
(51) **LOC (10) Cl.** **23-03**
(52) **U.S. Cl.**
USPC **D23/411**
(58) **Field of Classification Search**
USPC D23/355, 370-376, 378, 380-384,
D23/386-387, 377, 379, 385, 411-414;
D26/59
CPC F04D 25/088; F21V 33/0096
See application file for complete search history.

D698,914 S * 2/2014 Love D23/377
D698,915 S * 2/2014 Christopher D23/377
D707,343 S * 6/2014 Wang D23/411
D728,775 S * 5/2015 Gajewski D23/411
D732,157 S * 6/2015 Lin D23/377
D771,797 S * 11/2016 Wang D23/411
D775,321 S * 12/2016 Haaf D23/382
D779,049 S * 2/2017 Wang D23/370
D789,507 S * 6/2017 Badarello D23/377

* cited by examiner

Primary Examiner — Cathron C Brooks
Assistant Examiner — Sharon S Oum
(74) *Attorney, Agent, or Firm* — Muncy, Geissler, Olds & Lowe PC

(57) **CLAIM**

The ornamental design for a ceiling fan housing, as shown and described.

DESCRIPTION

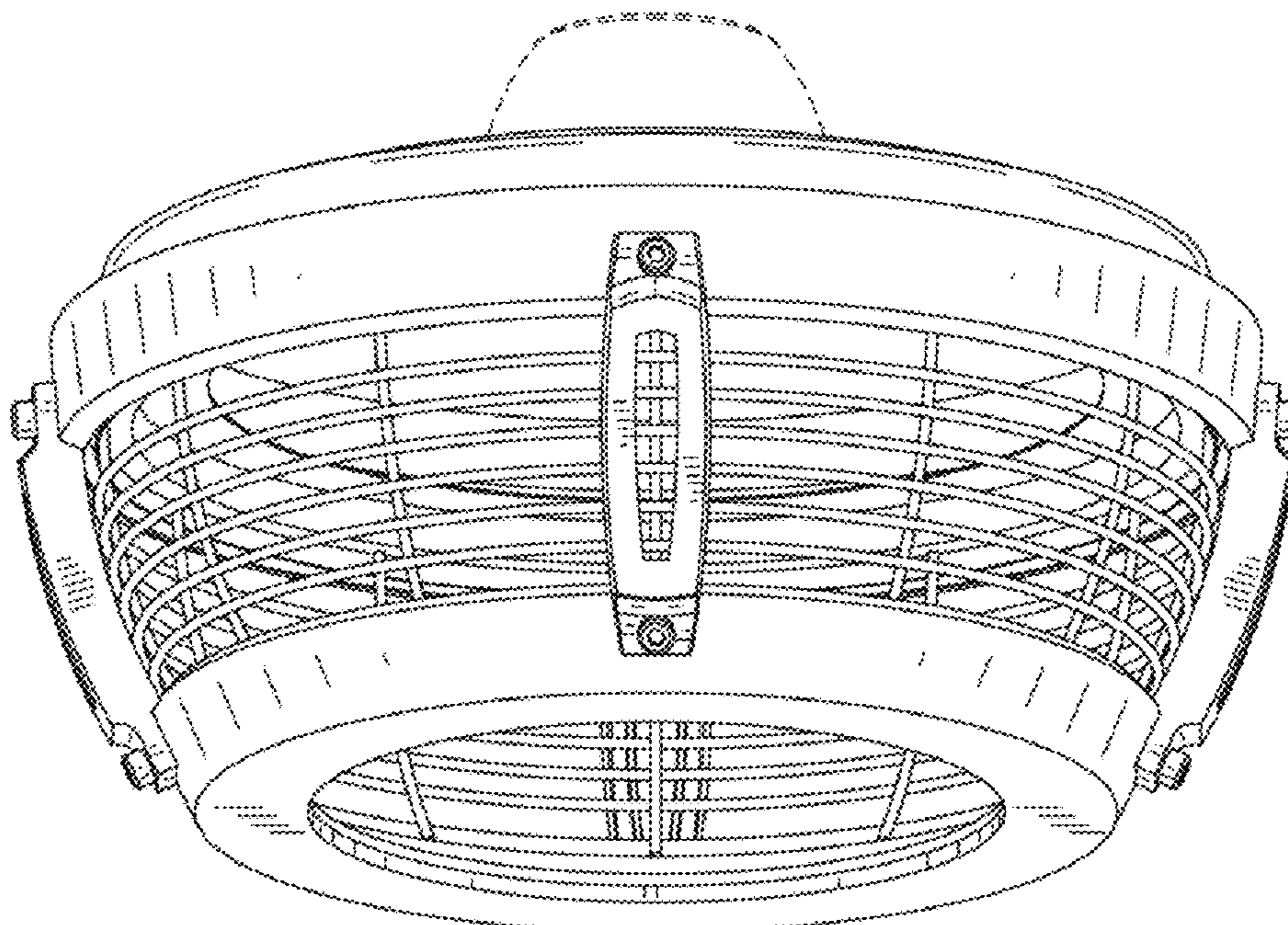
FIG. 1 is a perspective view of the present design; FIG. 2 is a front view of the present design; FIG. 3 is a rear view of the present design; FIG. 4 is a left side view of the present design; FIG. 5 is a right side view of the present design; FIG. 6 is a top view of the present design; and, FIG. 7 is a bottom view of the present design. The dot-dot-dash lines indicate boundaries of the claimed design, and form no part thereof. The broken lines illustrate portions of the ceiling fan housing and form no part of the claimed design.

1 Claim, 7 Drawing Sheets

(56) **References Cited**

U.S. PATENT DOCUMENTS

D133,120 S * 7/1942 Spear 416/244 R
D482,775 S * 11/2003 Young D23/411
D489,126 S * 4/2004 Young D23/411
D525,696 S * 7/2006 Ertze D23/377
D539,894 S * 4/2007 Bucher D23/377
D562,972 S * 2/2008 Pickett D23/411
D583,923 S * 12/2008 Bucher D23/377



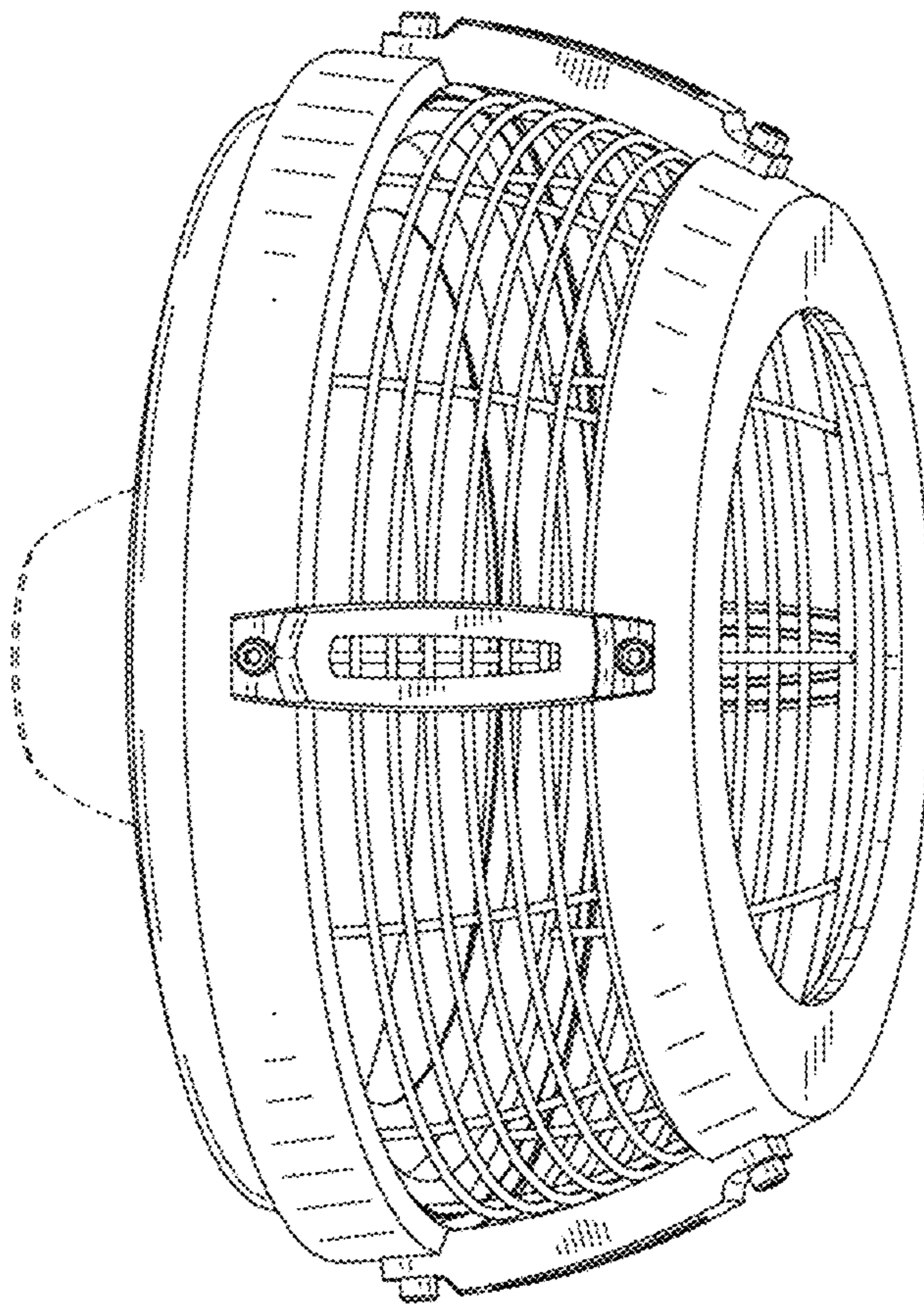


FIG. 1

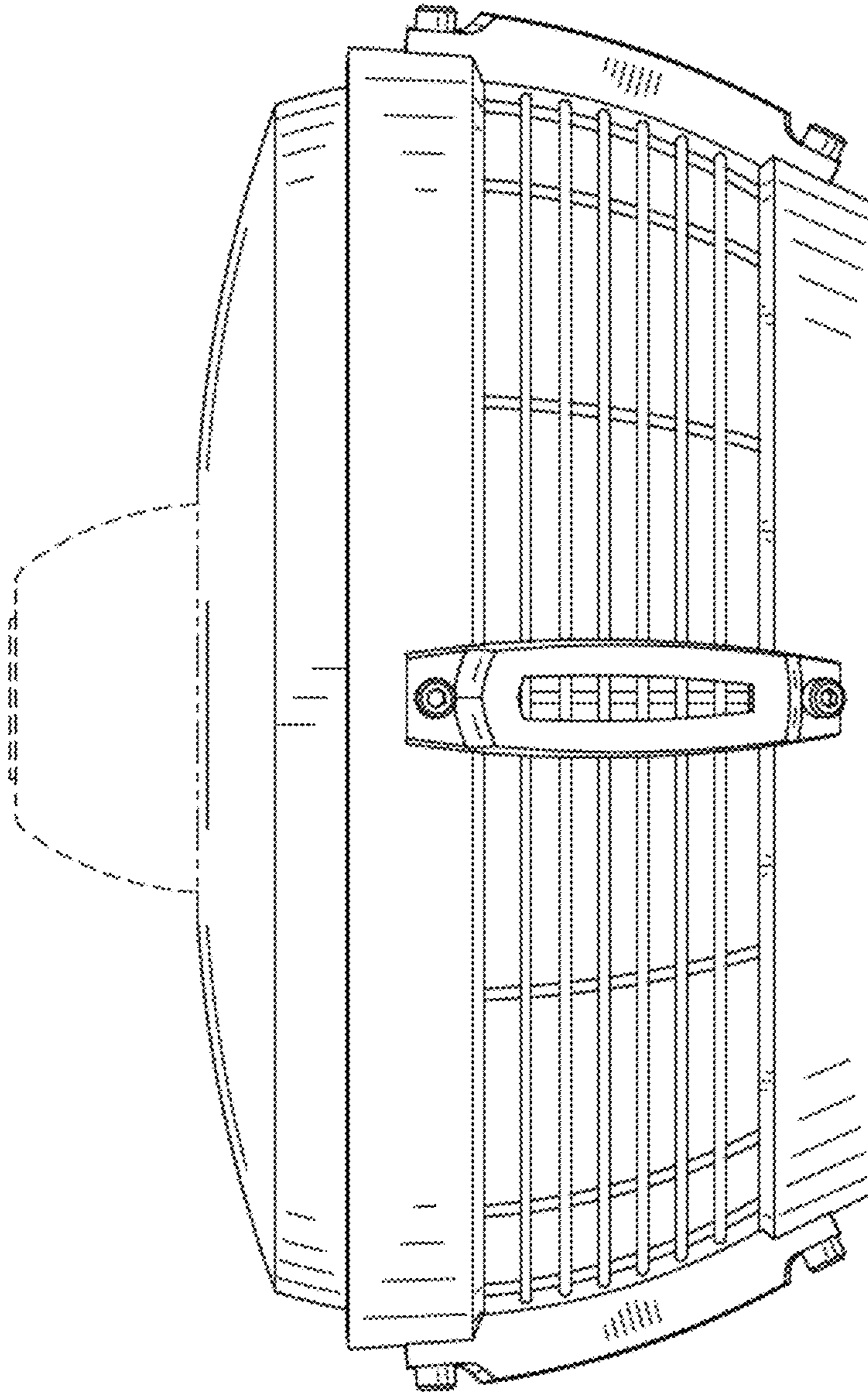


FIG. 2

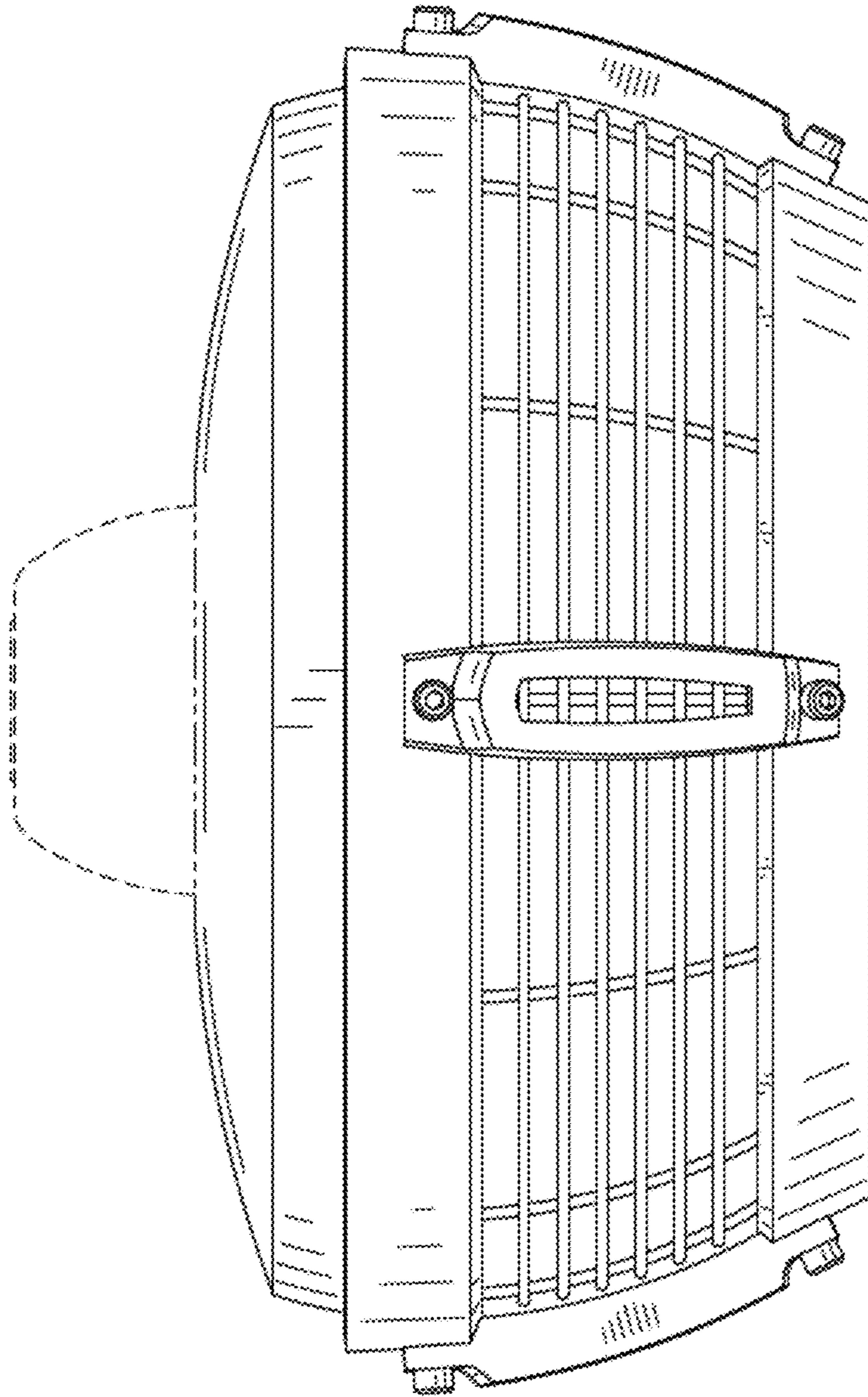


FIG. 3

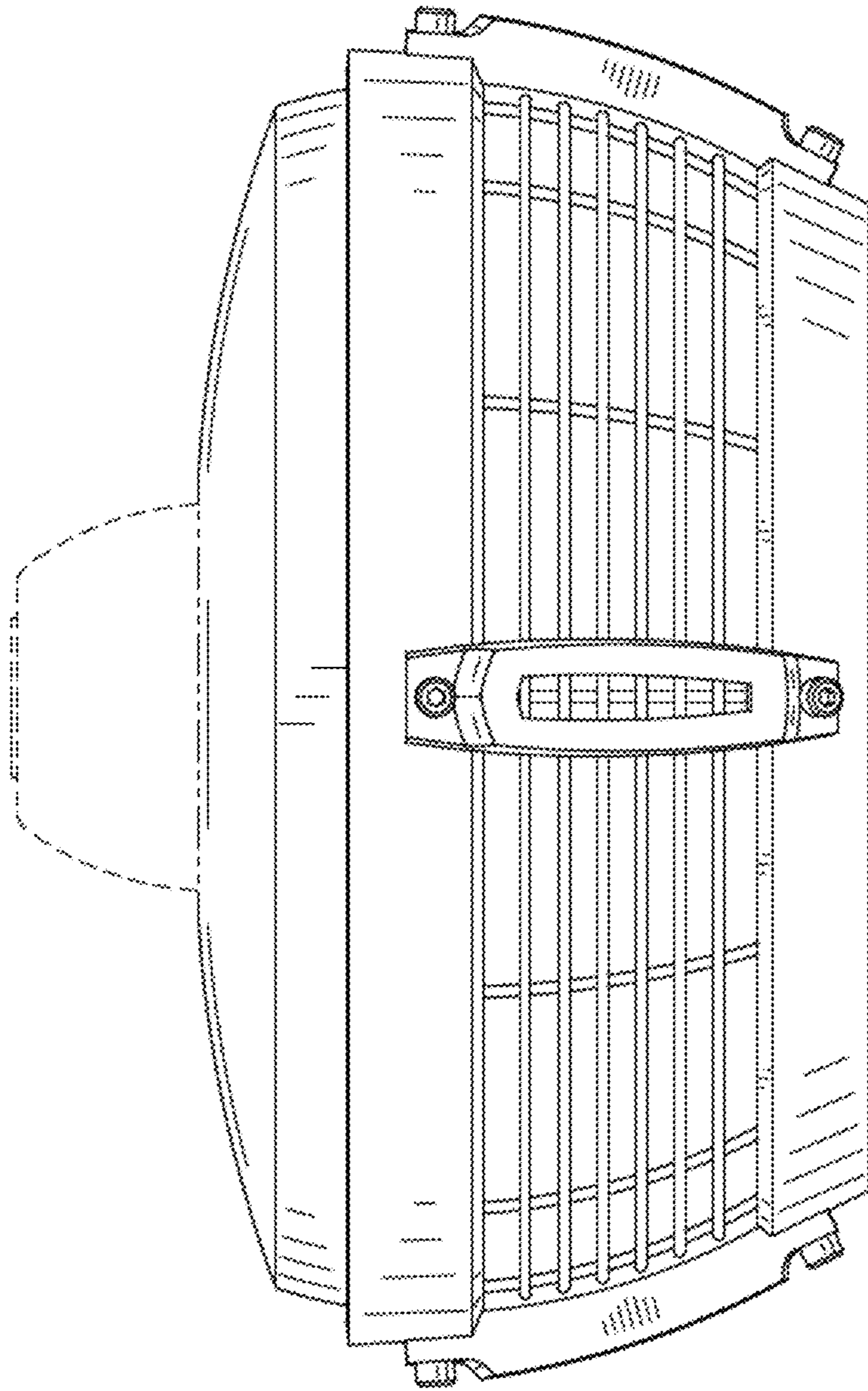


FIG. 4

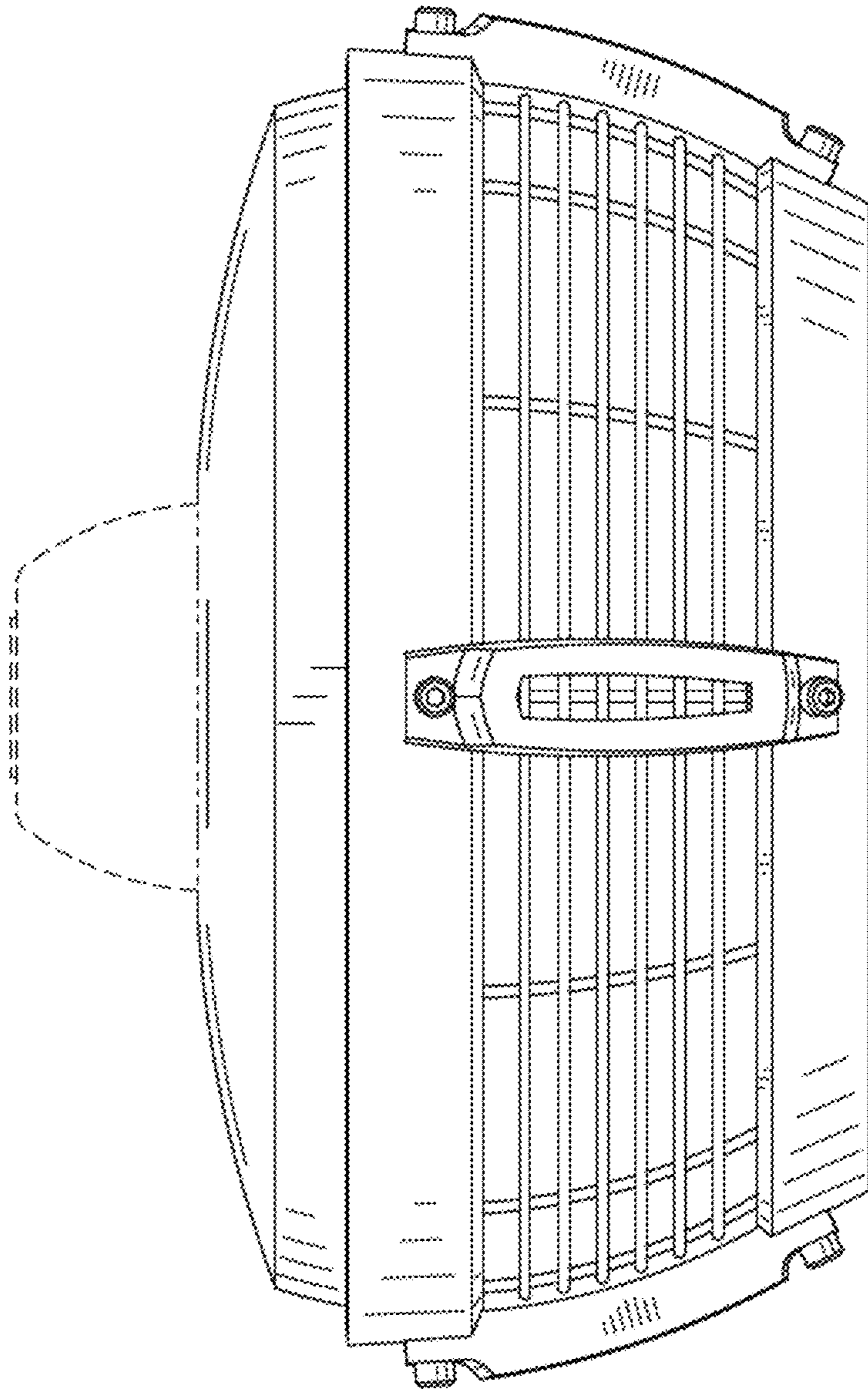


FIG. 5

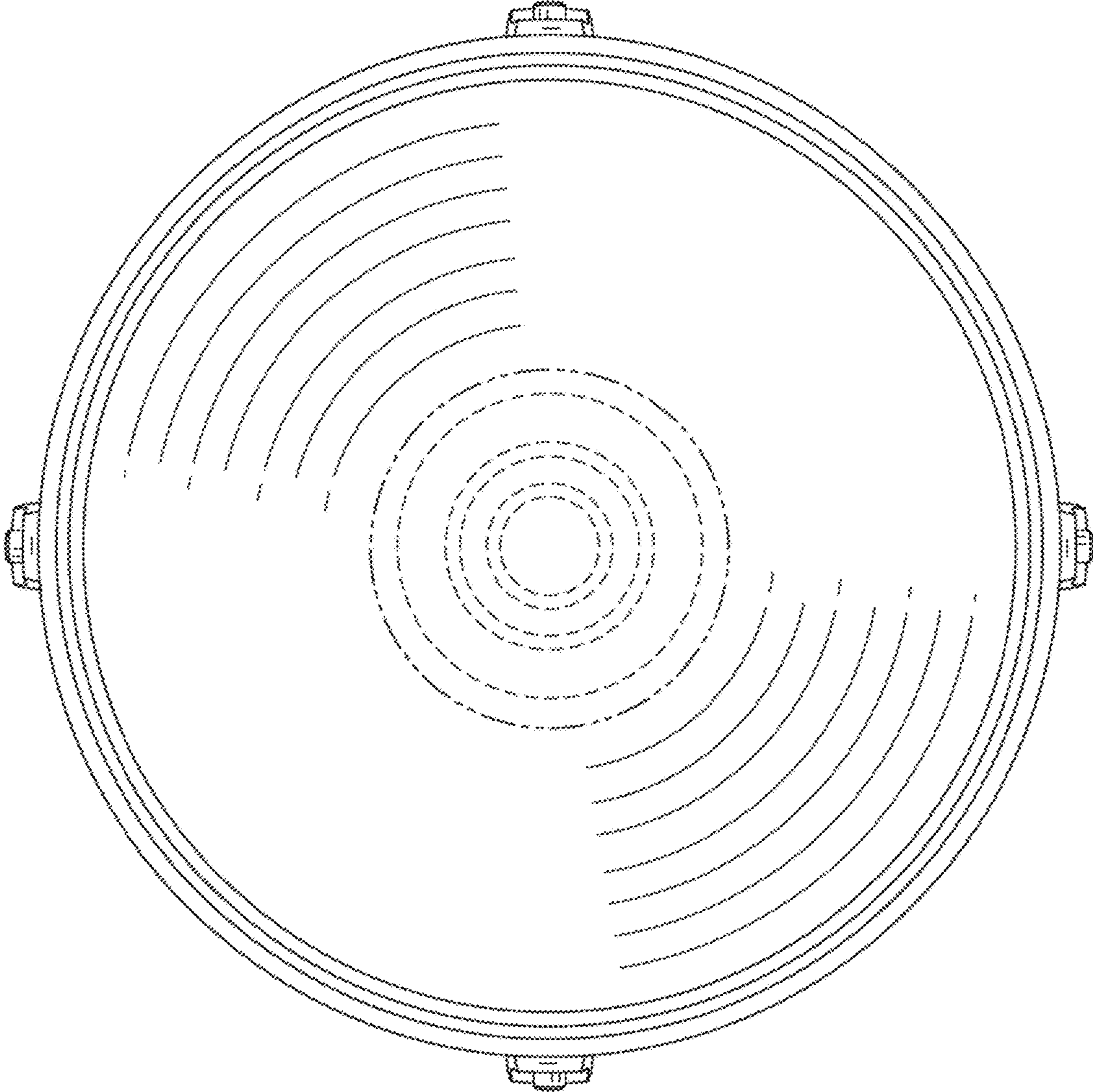


FIG. 6

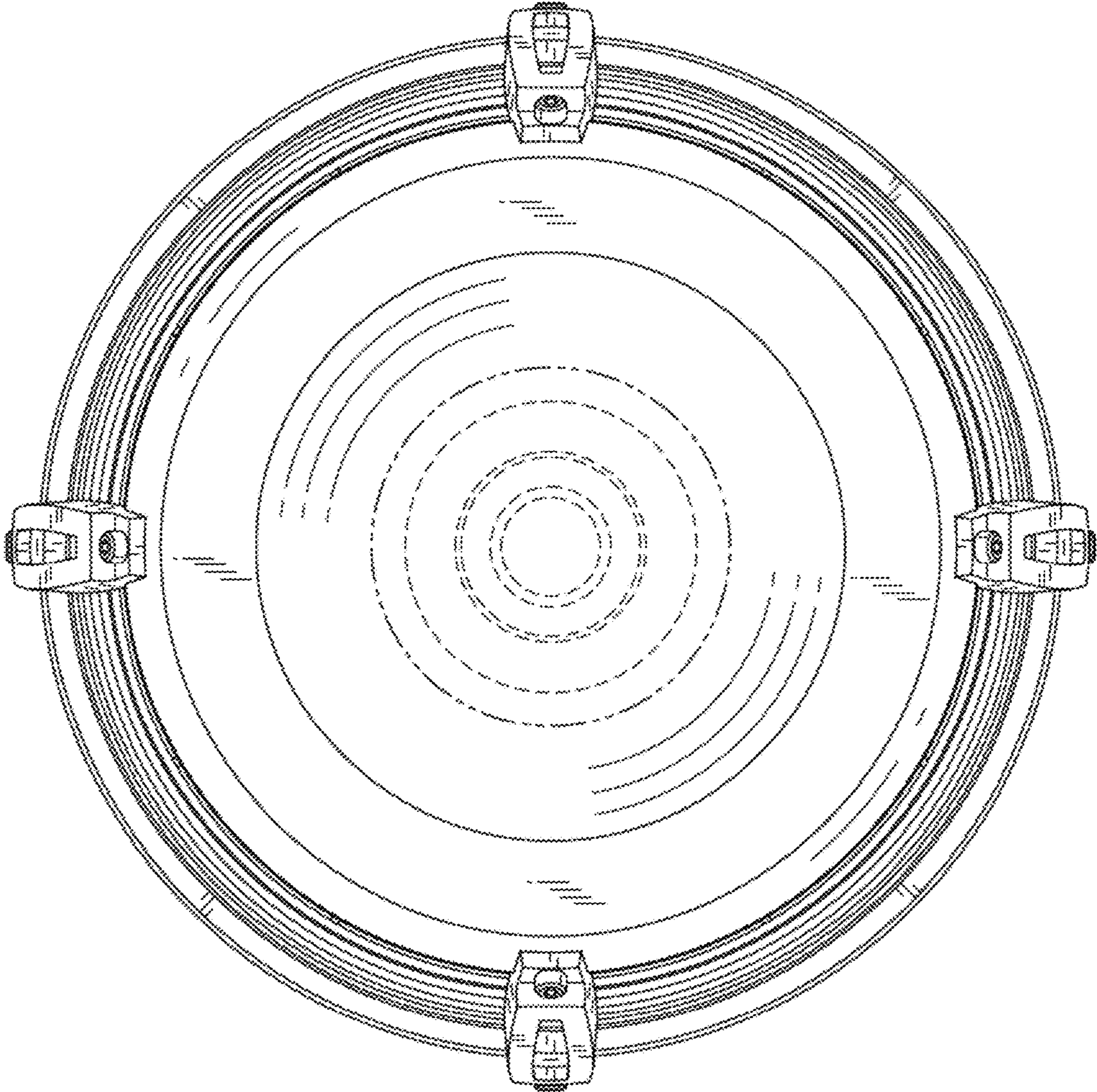


FIG. 7