



US00D805181S

(12) **United States Design Patent**
Urano

(10) **Patent No.:** **US D805,181 S**

(45) **Date of Patent:** **** Dec. 12, 2017**

(54) **AIR-CONDITIONING OUTLET**

(71) Applicant: **KIMURA KOHKI CO., LTD.**,
Osaka-shi, Osaka (JP)

(72) Inventor: **Katsuhiko Urano**, Sakai (JP)

(73) Assignee: **KIMURA KOHKI CO., LTD.**,
Osaka-shi, Osaka (JP)

(**) Term: **15 Years**

(21) Appl. No.: **29/561,880**

(22) Filed: **Apr. 20, 2016**

(30) **Foreign Application Priority Data**

Oct. 20, 2015 (JP) 2015-023208

(51) **LOC (10) Cl.** **23-04**

(52) **U.S. Cl.**
USPC **D23/388**

(58) **Field of Classification Search**
USPC D23/387, 388, 385, 386, 393, 397;
D6/703; D8/400; D25/48.3
(Continued)

(56) **References Cited**

U.S. PATENT DOCUMENTS

2,356,735 A * 8/1944 Bastian F24F 13/08
454/271
2,917,292 A * 12/1959 Hittrich B01J 19/32
165/166

(Continued)

OTHER PUBLICATIONS

Samsung Triangle AC, image post date Jun. 7, 2014, site visited Jun.
11, 2017, (online), <<https://www.tineye.com/search/88373c0099c3d86ee9fd3f9bbd640e6c5c44eab9/>>.*

(Continued)

Primary Examiner — Kevin Rudzinski

Assistant Examiner — Sean D Lough

(74) *Attorney, Agent, or Firm* — Alleman Hall Creasman
& Tuttle LLP

(57) **CLAIM**

The ornamental design for an air-conditioning outlet, as shown and described.

DESCRIPTION

FIG. 1 is a front view of an ornamental design for an air-conditioning outlet showing my new design, a right side view being a mirror view of the left side view.

FIG. 2 is a rear view of the air-conditioning outlet of FIG. 1.

FIG. 3 is a left side view of the air-conditioning outlet of FIG. 1.

FIG. 4 is a top view of the air-conditioning outlet of FIG. 1.

FIG. 5 is a bottom view of the air-conditioning outlet of FIG. 1.

FIG. 6 is a bottom perspective view of the air-conditioning outlet of FIG. 1.

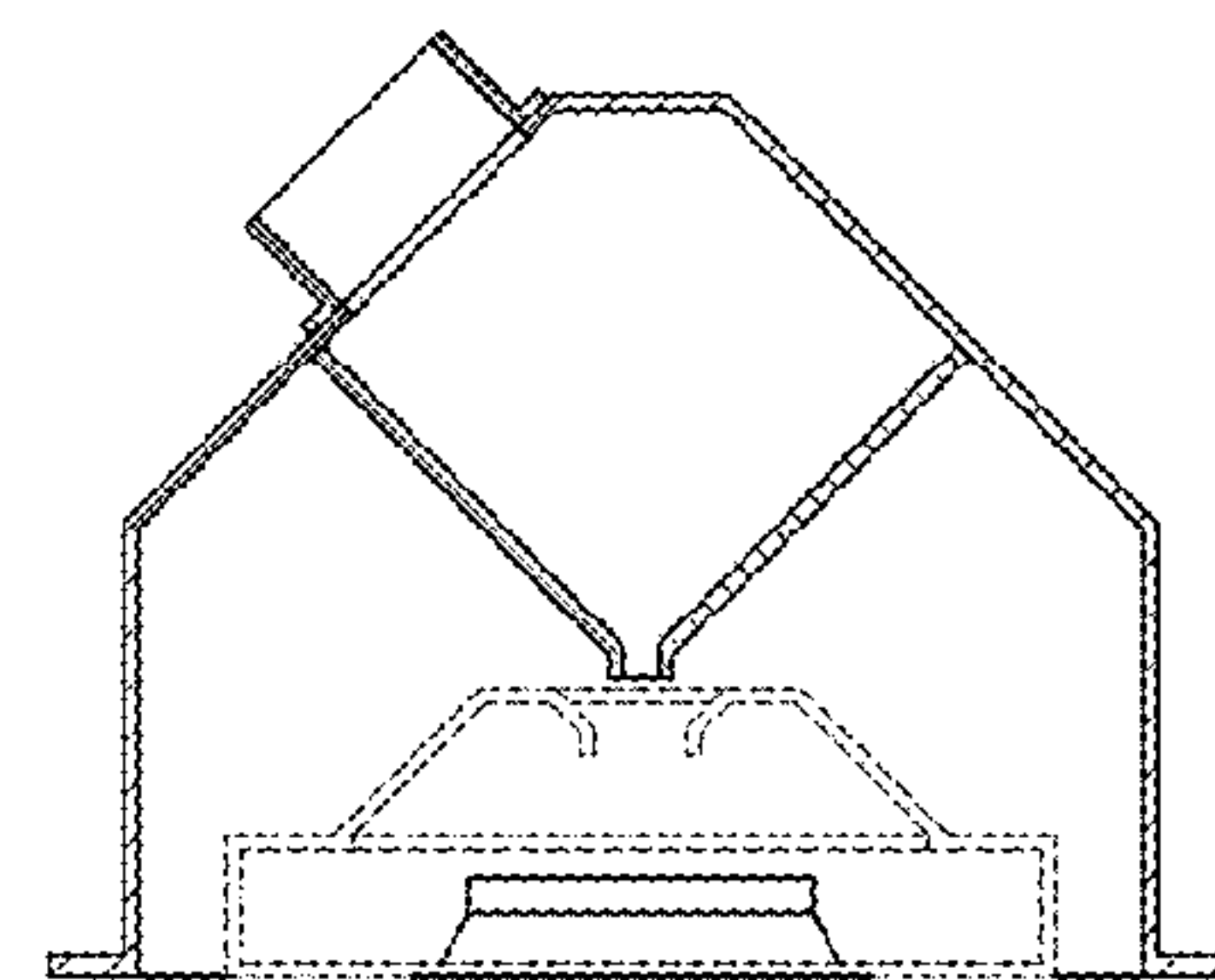
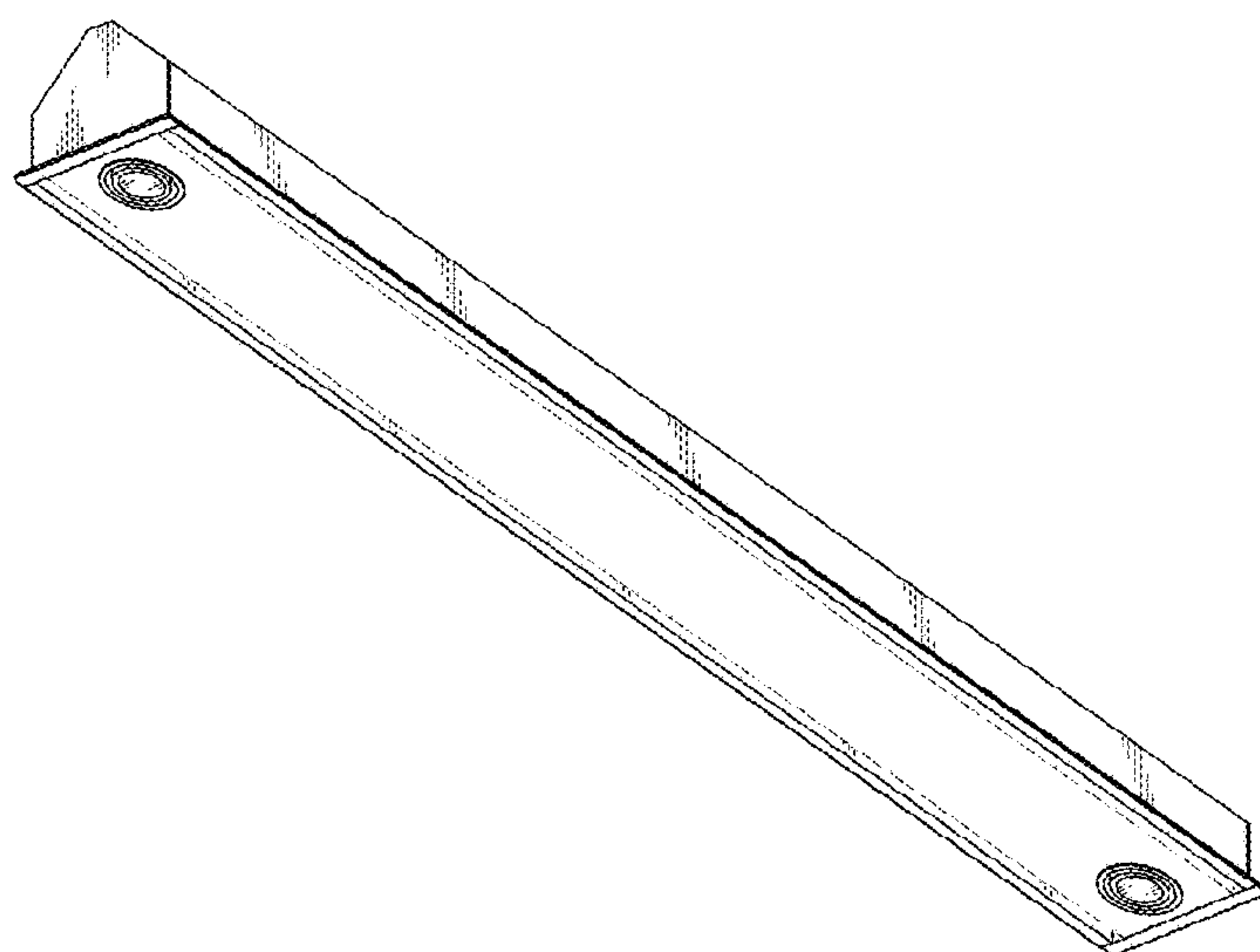
FIG. 7 is a section view of the air-conditioning outlet of FIG. 1, taken along 7-7 in FIG. 4.

FIG. 8 is a section view of the air-conditioning outlet of FIG. 1, taken along 8-8 in FIG. 1.

FIG. 9 is an enlarged view showing a portion of the section view of FIG. 7 as indicated within the dashed-dot lines; and, FIG. 10 is a section view of the air-conditioning outlet of FIG. 1, taken along 10-10 in FIG. 1.

The broken lines in FIGS. 5-10 show a panel of the air-conditioning outlet, and form no part of the claimed design. The dashed-dot lines shown in FIGS. 7 and 9 are to illustrate the enlarged portion of FIG. 7 that is shown in FIG. 9 only, and said dashed-dot lines form no part of the claimed design.

1 Claim, 6 Drawing Sheets



(58) **Field of Classification Search**
 CPC .. F23M 7/04; F24F 12/00; F24F 13/00; F24F
 13/0227; F24F 13/0236
 See application file for complete search history.

(56) **References Cited**

U.S. PATENT DOCUMENTS

3,187,660 A * 6/1965 Lazerson F21V 33/0088
 362/260
 3,482,504 A * 12/1969 Spradling F24F 13/0236
 181/224
 D300,557 S * 4/1989 Breidinger D23/387
 D309,659 S * 7/1990 Welsh D23/387
 4,945,982 A * 8/1990 Das F24F 1/06
 165/125
 5,261,704 A * 11/1993 Araujo F16L 39/00
 137/561 A
 5,272,889 A * 12/1993 Harris F16D 1/0835
 403/1
 D376,842 S * 12/1996 Franklin D23/314
 D382,048 S * 8/1997 Bennett D23/332
 D412,564 S * 8/1999 Pustelnik D23/330
 D467,328 S * 12/2002 Sears D23/386
 D507,344 S * 7/2005 Anderson D23/393
 D543,652 S * 5/2007 Hargreaves D26/118
 D544,139 S * 6/2007 Hargreaves D26/118
 D544,626 S * 6/2007 Hargreaves D26/76
 D544,983 S * 6/2007 Hargreaves D26/76
 D544,985 S * 6/2007 Hargreaves D26/76
 D604,884 S * 11/2009 Moritz D26/76
 7,644,550 B2 * 1/2010 Meyer E04F 15/02405
 248/158
 7,645,189 B2 * 1/2010 Pilger F24F 13/02
 248/57

D618,332 S * 6/2010 Kimura D23/388
 D618,783 S * 6/2010 Kimura D23/388
 D619,699 S * 7/2010 Kimura D23/388
 D626,268 S * 10/2010 Santoro D26/76
 D627,043 S * 11/2010 Tanaka D23/351
 D629,883 S * 12/2010 Kimura D23/388
 D676,952 S * 2/2013 Hiner D23/377
 D751,247 S * 3/2016 Reynolds D26/118
 D752,200 S * 3/2016 Huang D23/385
 D754,835 S * 4/2016 Uehara D23/371
 D756,498 S * 5/2016 Norman D23/355
 D759,223 S * 6/2016 Kosuge D23/351
 D767,112 S * 9/2016 Williams D23/386
 D773,629 S * 12/2016 Crisa' D23/372
 D775,318 S * 12/2016 Park D23/385
 2010/0263829 A1 * 10/2010 Kimura F24F 1/01
 165/59
 2016/0033143 A1 * 2/2016 Lee F23M 5/00
 126/198

OTHER PUBLICATIONS

Round ceiling outlet, image post date Tuesday, Dec. 7, 2010, site
 visited Jun. 11, 2017, (online), <[http://www.optimumair.com/au/
 ducted_systems.htm](http://www.optimumair.com/au/ducted_systems.htm)>.*
 Sabiana—Skystar, image post date Jun. 10, 2012, site visited Jun.
 11, 2017, (online), <[https://web.archive.org/web/20120610223835/
 http://www.sabiana.co.uk/skystar.html](https://web.archive.org/web/20120610223835/http://www.sabiana.co.uk/skystar.html)>.*
 Williams—Horizontal Fan Coils, image post date Apr. 20, 2014, site
 visited Jun. 11, 2017, (online), <[https://web.archive.org/web/
 20140420011909/http://williamscomfortprod.com:80/product-cat-
 egory/fan-coils/](https://web.archive.org/web/20140420011909/http://williamscomfortprod.com:80/product-category/fan-coils/)>.*

* cited by examiner

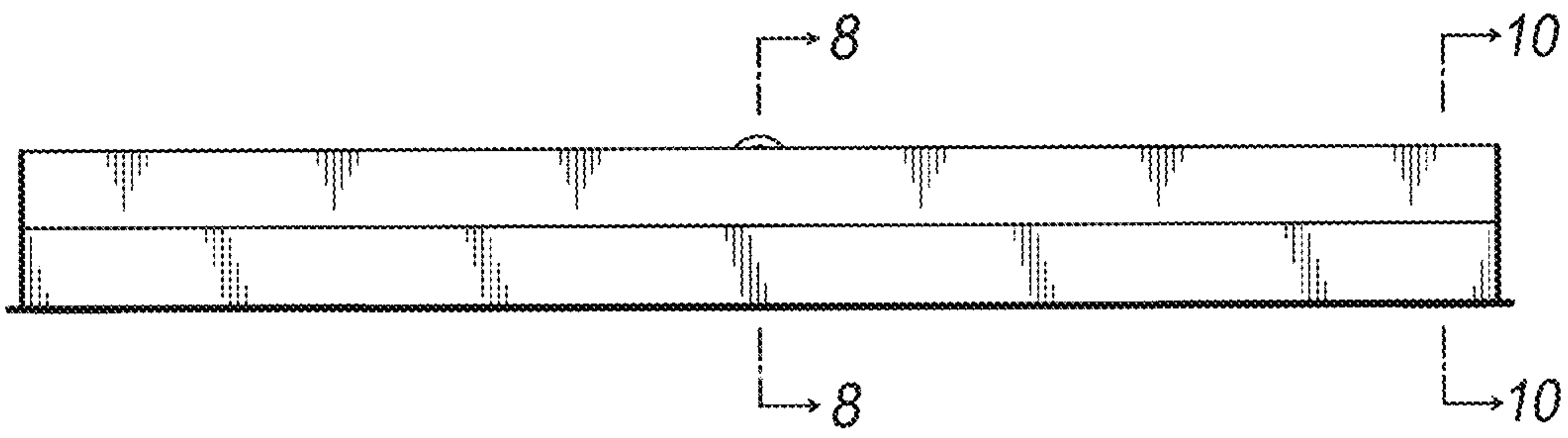


FIG. 1

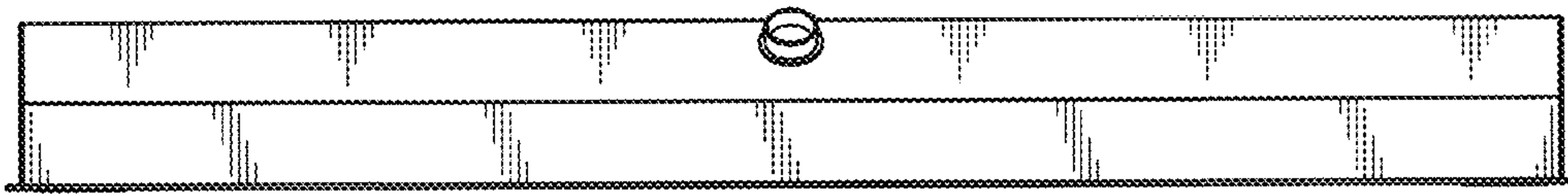


FIG. 2

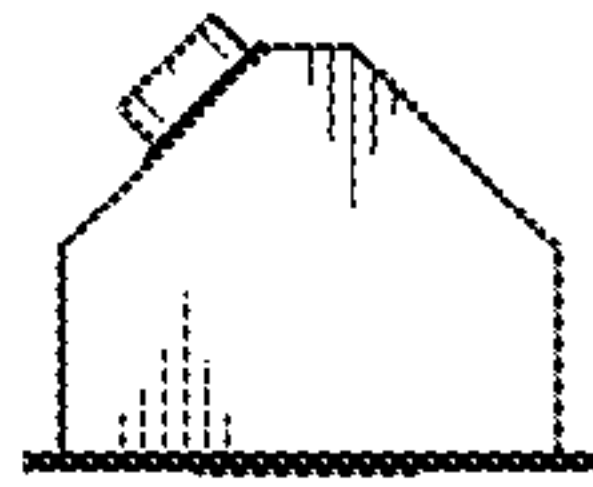


FIG. 3

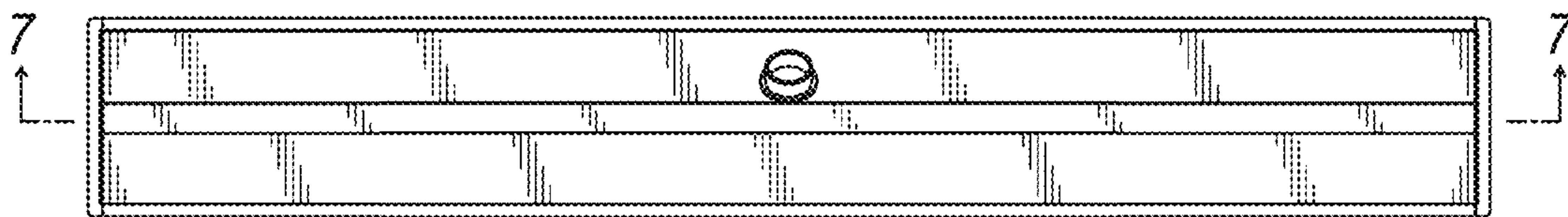


FIG. 4

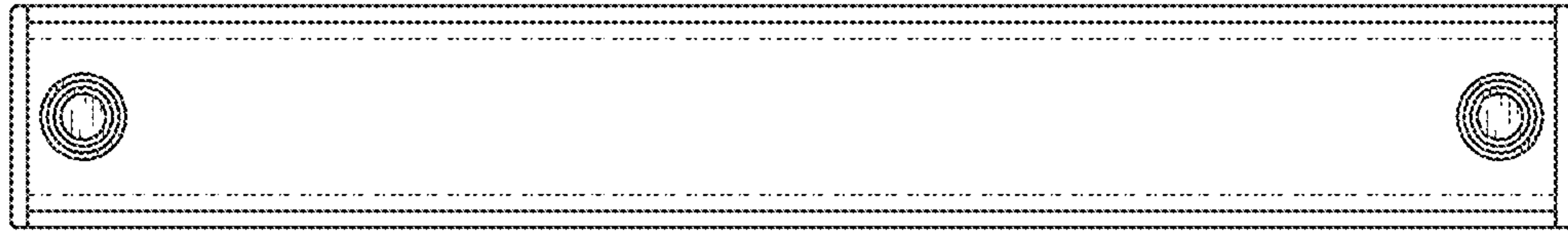


FIG. 5

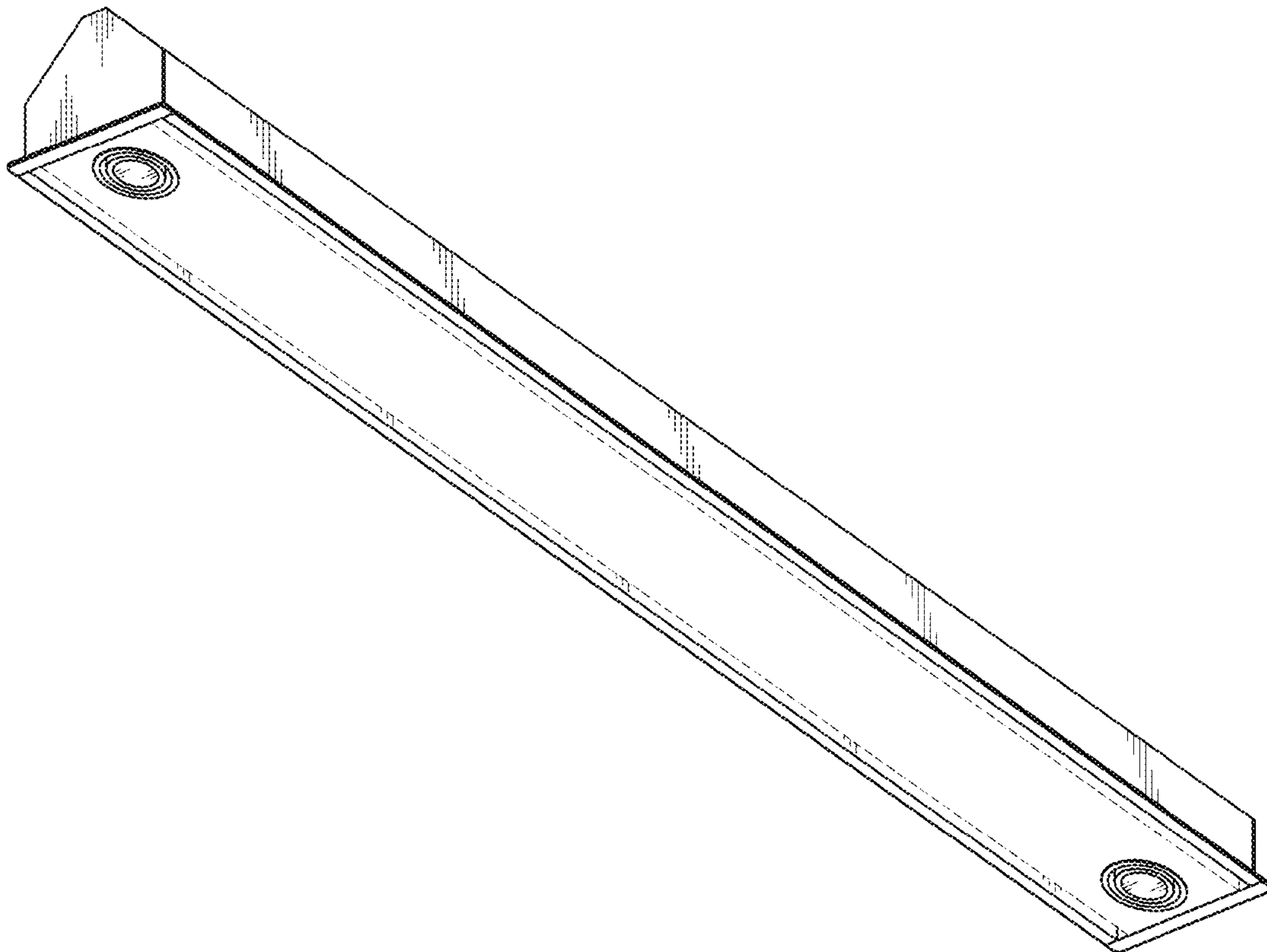


FIG. 6

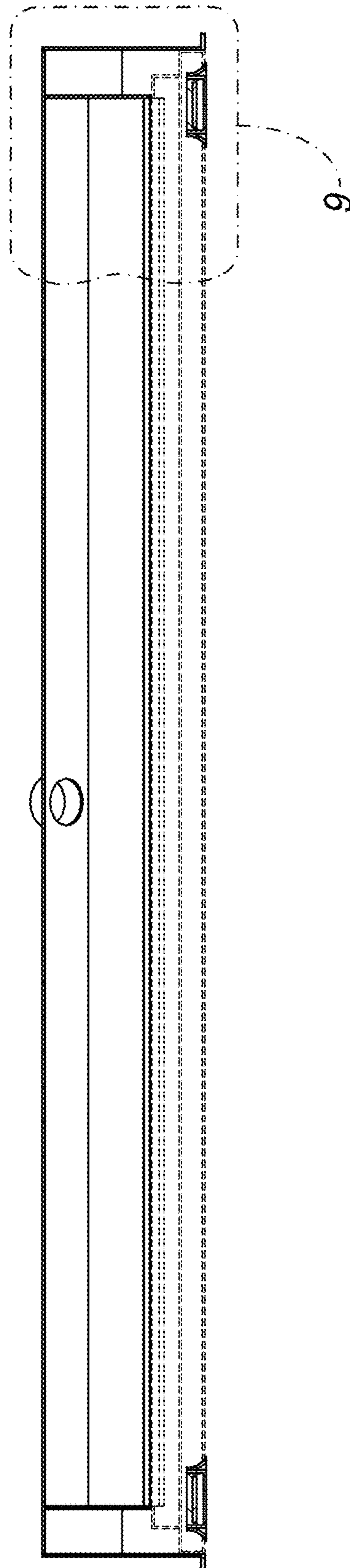


FIG. 7

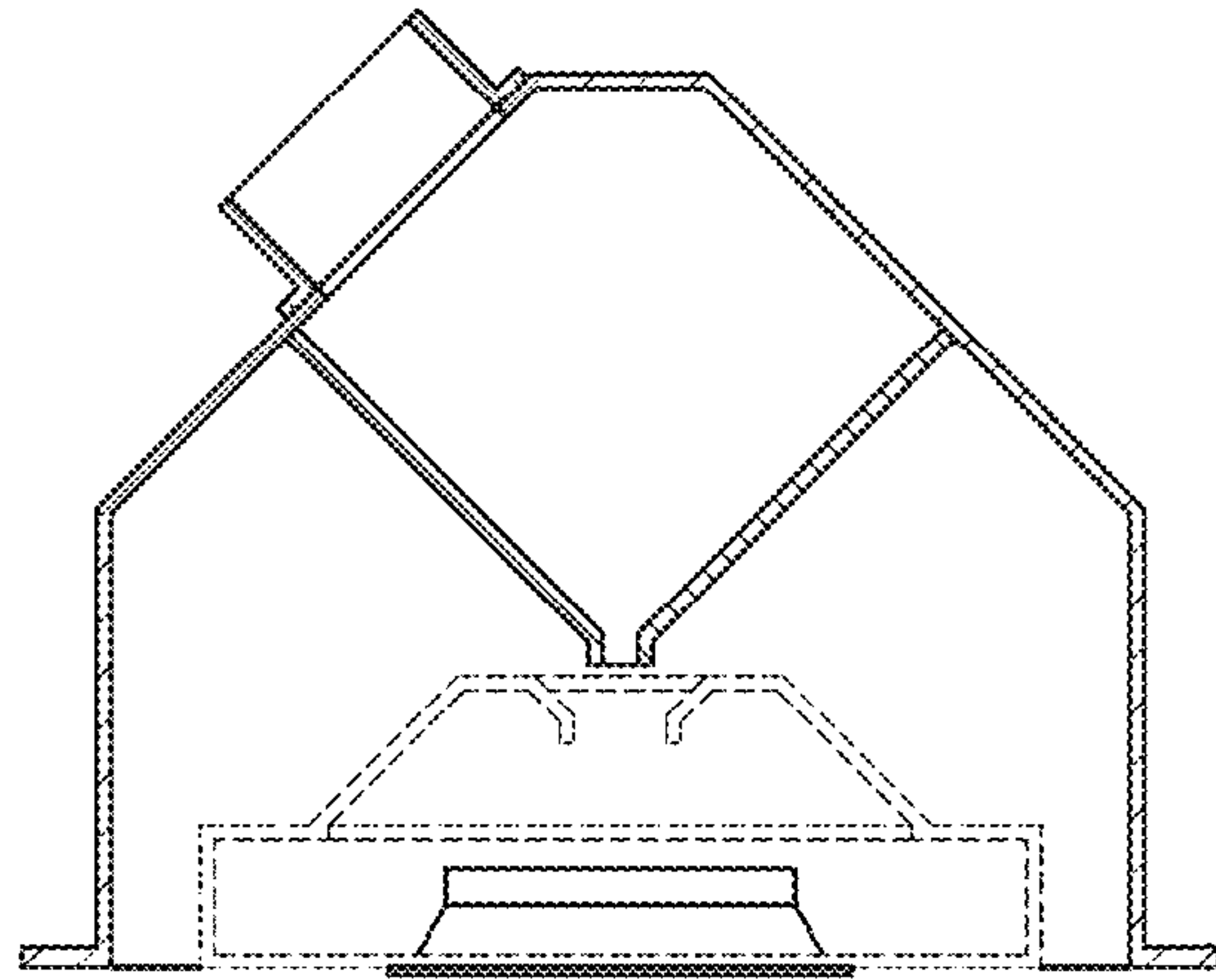


FIG. 8

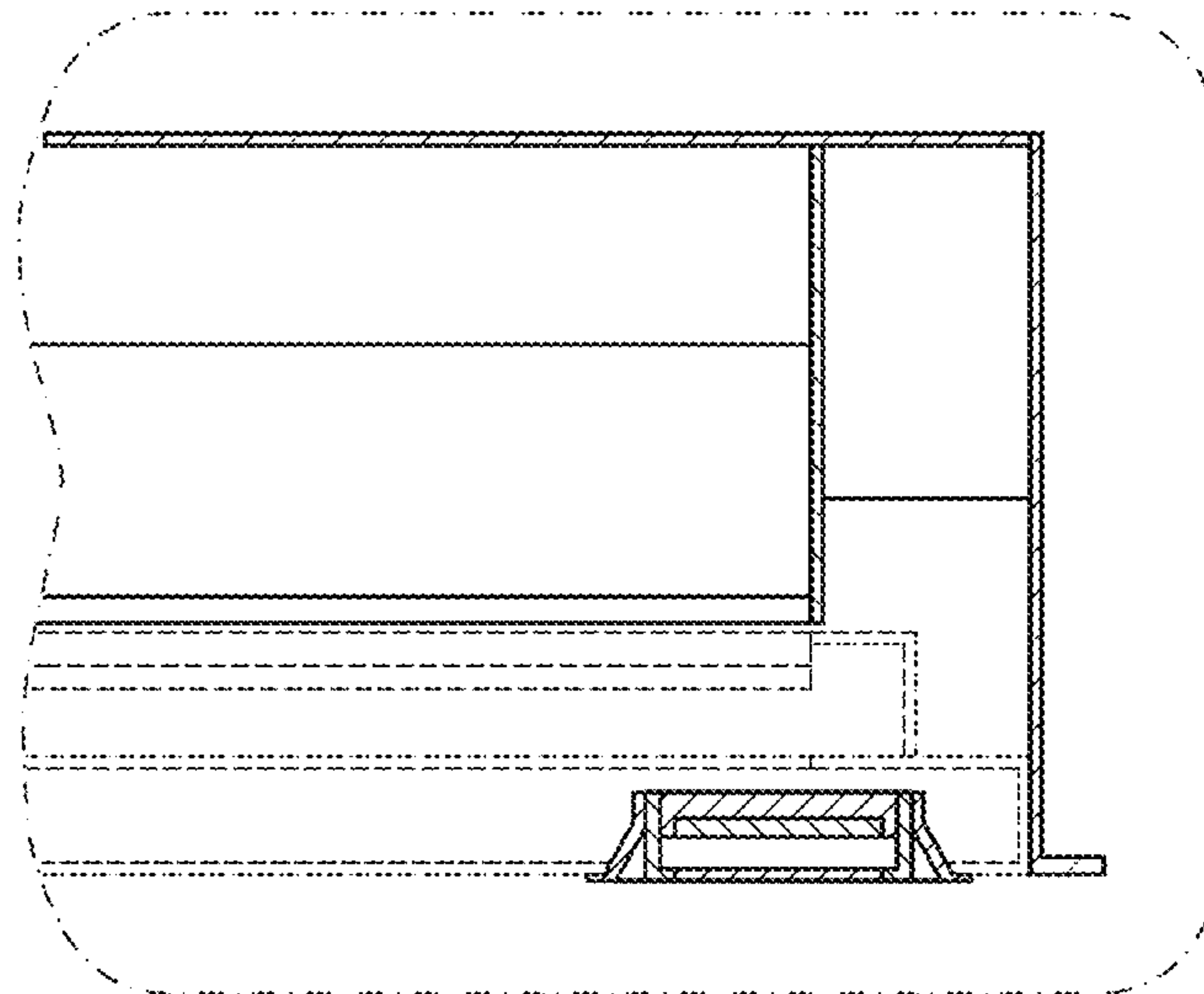


FIG. 9

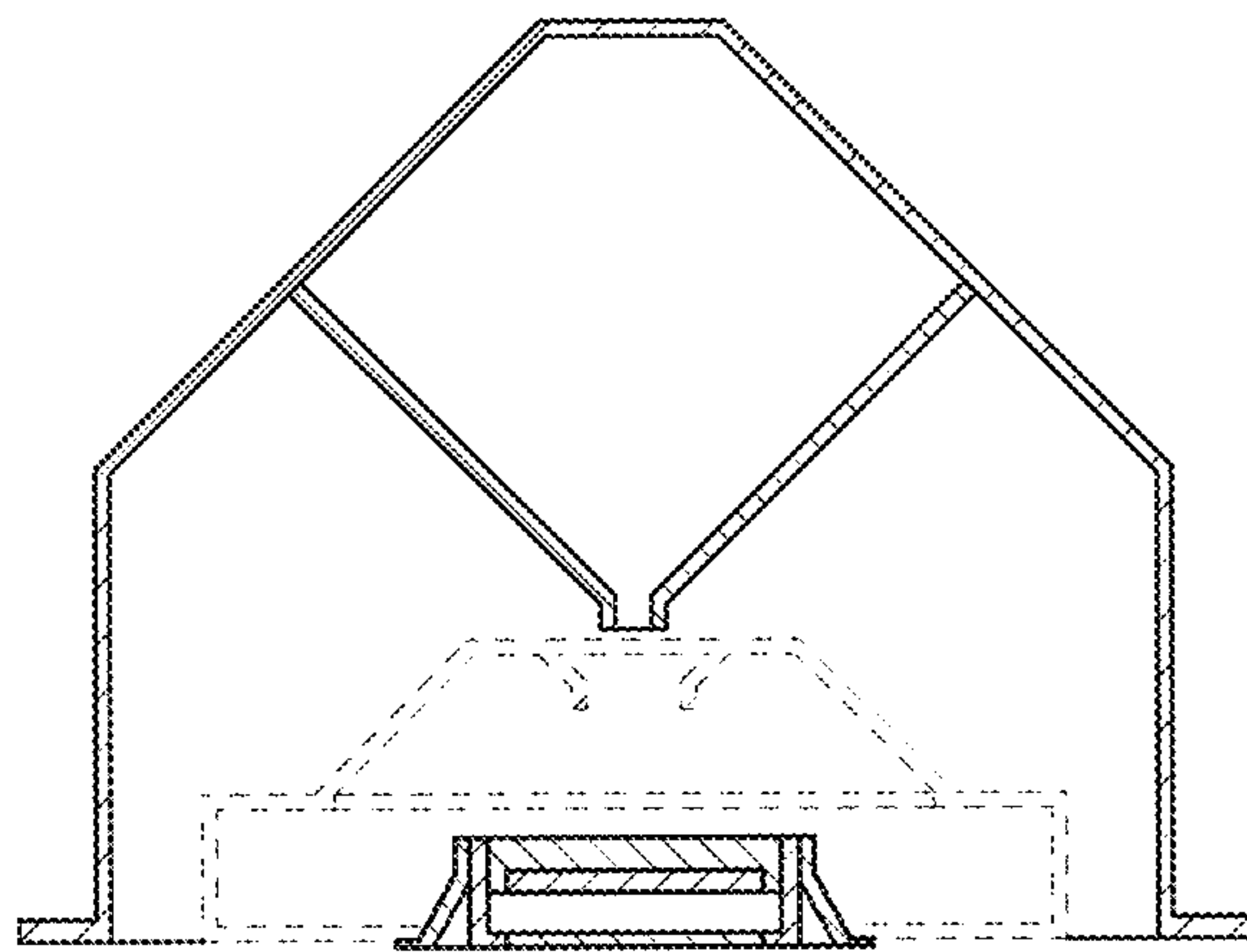


FIG. 10