



(12) **United States Design Patent** (10) **Patent No.:** **US D805,177 S**
Urano (45) **Date of Patent:** **** Dec. 12, 2017**

(54) **AIR-CONDITIONING OUTLET**

(71) Applicant: **KIMURA KOHKI CO., LTD.**,
Osaka-shi, Osaka (JP)

(72) Inventor: **Katsuhiko Urano**, Sakai (JP)

(73) Assignee: **KIMURA KOHKI CO., LTD.**,
Osaka-shi, Osaka (JP)

(**) Term: **15 Years**

(21) Appl. No.: **29/561,868**

(22) Filed: **Apr. 20, 2016**

(30) **Foreign Application Priority Data**

Oct. 20, 2015 (JP) 2015-023199

(51) **LOC (10) Cl.** **23-04**

(52) **U.S. Cl.**
USPC **D23/388**

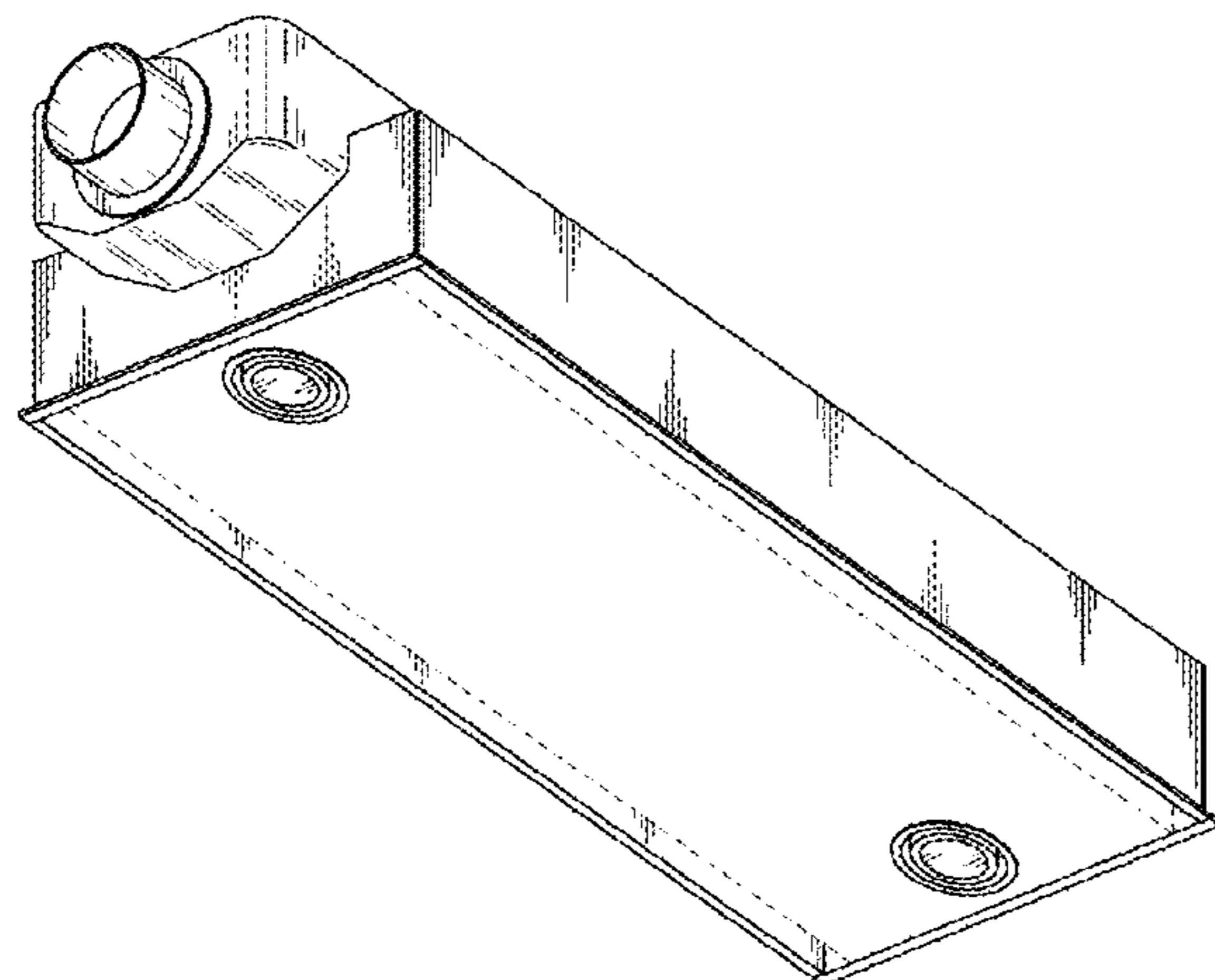
(58) **Field of Classification Search**
USPC D23/387, 388, 385, 386, 393, 397;
D6/703; D8/400; D25/48.3
CPC .. F23M 7/04; F24F 12/00; F24F 13/00; F24F
13/0227; F24F 13/0236
See application file for complete search history.

(56) **References Cited**

U.S. PATENT DOCUMENTS

1,441,070	A *	1/1923	Edin	F24F 13/08 454/276
2,917,292	A *	12/1959	Hittrich	B01J 19/32 165/166
2,963,783	A *	12/1960	Field	B21C 37/28 285/183
3,187,660	A *	6/1965	Lazerson	F21V 33/0088 362/260
3,313,343	A *	4/1967	Ware	F28F 3/022 165/166
3,742,659	A *	7/1973	Drew	F24F 13/00 285/44

(Continued)



OTHER PUBLICATIONS

Round ceiling outlet, image post date Tuesday, Dec. 7, 2010, site visited Jun. 11, 2017, (online), <http://www.optimumair.com.au/ducted_systems.htm>.*

(Continued)

Primary Examiner — Kevin Rudzinski

Assistant Examiner — Sean D Lough

(74) *Attorney, Agent, or Firm* — Alleman Hall Creasman & Tuttle LLP

(57) **CLAIM**

The ornamental design for an air-conditioning outlet, as shown and described.

DESCRIPTION

FIG. 1 is a left side view of an ornamental design for an air-conditioning outlet showing my new design, a right side view being a mirror view of the left side view.

FIG. 2 is a rear view of the air-conditioning outlet of FIG. 1.

FIG. 3 is a front view of the air-conditioning outlet of FIG. 1.

FIG. 4 is a top view of the air-conditioning outlet of FIG. 1.

FIG. 5 is a bottom view of the air-conditioning outlet of FIG. 1.

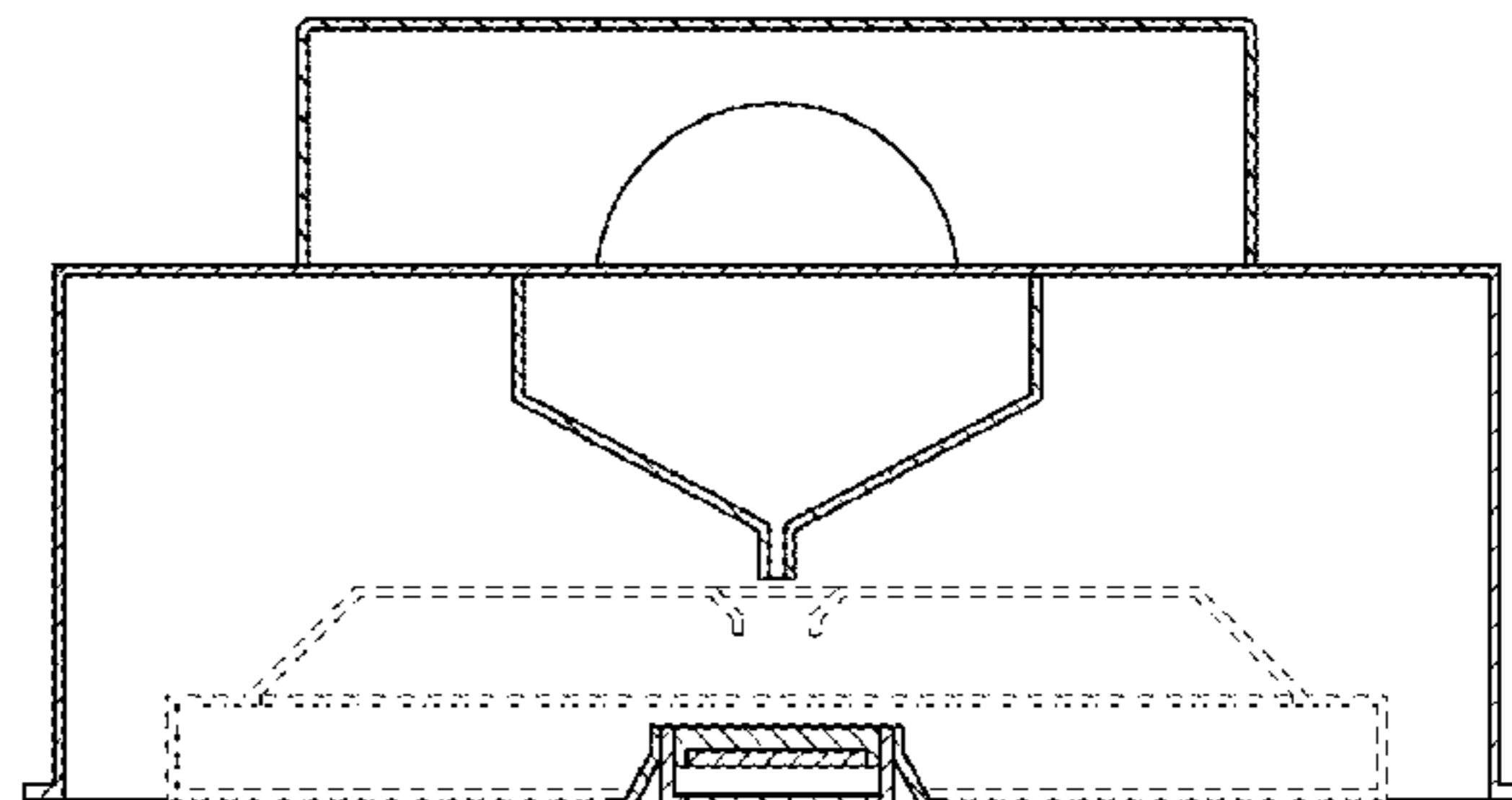
FIG. 6 is a bottom perspective view of the air-conditioning outlet of FIG. 1.

FIG. 7 is a section view of the air-conditioning outlet taken along 7-7 in FIG. 1; and,

FIG. 8 is a section view of the air-conditioning outlet of FIG. 1 taken along 8-8 in FIG. 4.

The dashed lines in FIG. 5-8 show a panel of the air-conditioning outlet, and form no part of the claimed design.

1 Claim, 5 Drawing Sheets



(56)

References Cited

U.S. PATENT DOCUMENTS

3,965,933 A * 6/1976 Beaudin F16L 41/02
137/875
4,434,564 A * 3/1984 Braggins, Jr. D06F 58/20
34/235
D319,499 S * 8/1991 Hague D23/370
D320,650 S * 10/1991 Kujawa D23/393
D342,130 S * 12/1993 Anderson D23/263
D342,782 S * 12/1993 Anderson D23/263
D349,333 S * 8/1994 King D23/314
D387,859 S * 12/1997 Ukai D23/370
D394,101 S * 5/1998 Hayashi D23/370
D404,122 S * 1/1999 Hayashi D23/370
D412,564 S * 8/1999 Pustelnik D23/330
D425,612 S * 5/2000 Andersen D23/263
D470,584 S * 2/2003 Elwell D23/406
D528,649 S * 9/2006 Wilson D23/411
D543,652 S * 5/2007 Hargreaves D26/118
D604,884 S * 11/2009 Moritz D26/76
7,645,189 B2 * 1/2010 Pilger F24F 13/02
248/57
D626,268 S * 10/2010 Santoro D26/76
D627,043 S * 11/2010 Tanaka D23/351
D658,831 S * 5/2012 Robinson D32/25
D663,828 S * 7/2012 Portillo D23/371
8,342,233 B2 * 1/2013 Kjellerstedt F24F 1/0059
165/47
D676,952 S * 2/2013 Hiner D23/377
D692,115 S * 10/2013 Ramberg D23/365
D714,927 S * 10/2014 Urano D23/388
D714,928 S * 10/2014 Urano D23/388
D715,416 S * 10/2014 Marino D23/342
D720,488 S * 12/2014 Toyohisa D26/74
D751,247 S * 3/2016 Reynolds D26/118
D752,200 S * 3/2016 Huang D23/385
D754,835 S * 4/2016 Uehara D23/371
D755,366 S * 5/2016 Stevens D23/393
D756,498 S * 5/2016 Norman D23/355

D759,223 S * 6/2016 Kosuge D23/351
D761,397 S * 7/2016 DeNooy D23/262
9,399,510 B2 * 7/2016 Rolfes B64D 37/04
D767,112 S * 9/2016 Williams D23/386
D767,750 S * 9/2016 Nakai D23/388
D770,604 S * 11/2016 Buettner D23/318
D773,629 S * 12/2016 Crisa' D23/372
D775,318 S * 12/2016 Park D23/385
D776,796 S * 1/2017 Denooy D23/262
9,580,923 B2 * 2/2017 McDaniel, Jr. E04H 1/1205
9,605,905 B2 * 3/2017 Haglid F28D 9/0081
D785,154 S * 4/2017 McPhilliamy D23/364
D785,776 S * 5/2017 Hirano D23/370
D786,418 S * 5/2017 Hirano D23/370
D787,559 S * 5/2017 Nezar D15/5
2005/0017507 A1 * 1/2005 Jensen F16L 25/14
285/197
2007/0167127 A1 * 7/2007 Wiley F24F 13/0236
454/229
2010/0263829 A1 * 10/2010 Kimura F24F 1/01
165/59
2011/0048050 A1 * 3/2011 Moteki F24F 1/0007
62/263
2013/0337738 A1 * 12/2013 Sanderson F24F 13/08
454/367

OTHER PUBLICATIONS

Williams—Horizontal Fan Coils, image post date Apr. 20, 2014, site visited Jun. 11, 2017, (online), <<https://web.archive.org/web/20140420011909/http://williamscomfortprod.com:80/product-category/fan-coils/>>.*
Sabiana—Skystar, image post date Jun. 10, 2012, site visited Jun. 11, 2017, (online), <<https://web.archive.org/web/20120610223835/http://www.sabiana.co.uk/skystar.html>>.*
Panasonic FV-11VH2, image post date 1999, site visited Jun. 11, 2017, (online), <<https://guide.alibaba.com/shopping-guides/ceiling-mounted-fan-coil-units.html>>.*

* cited by examiner

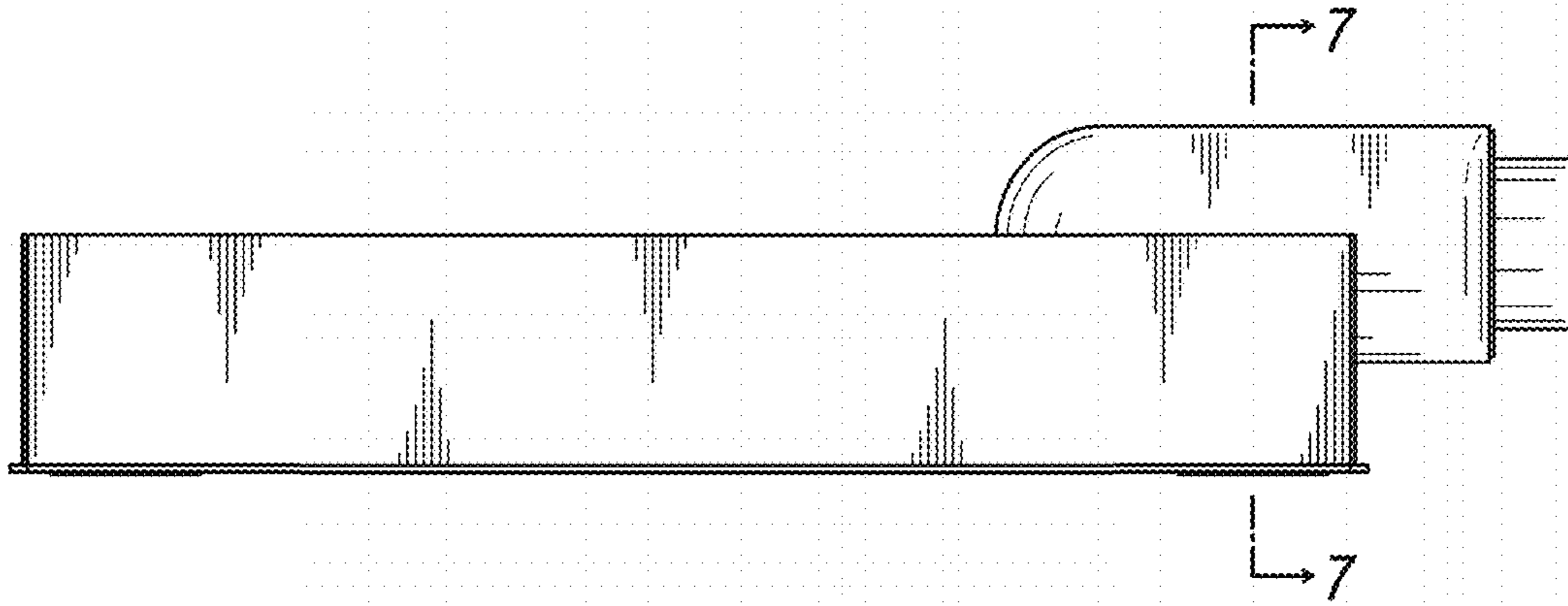


FIG. 1

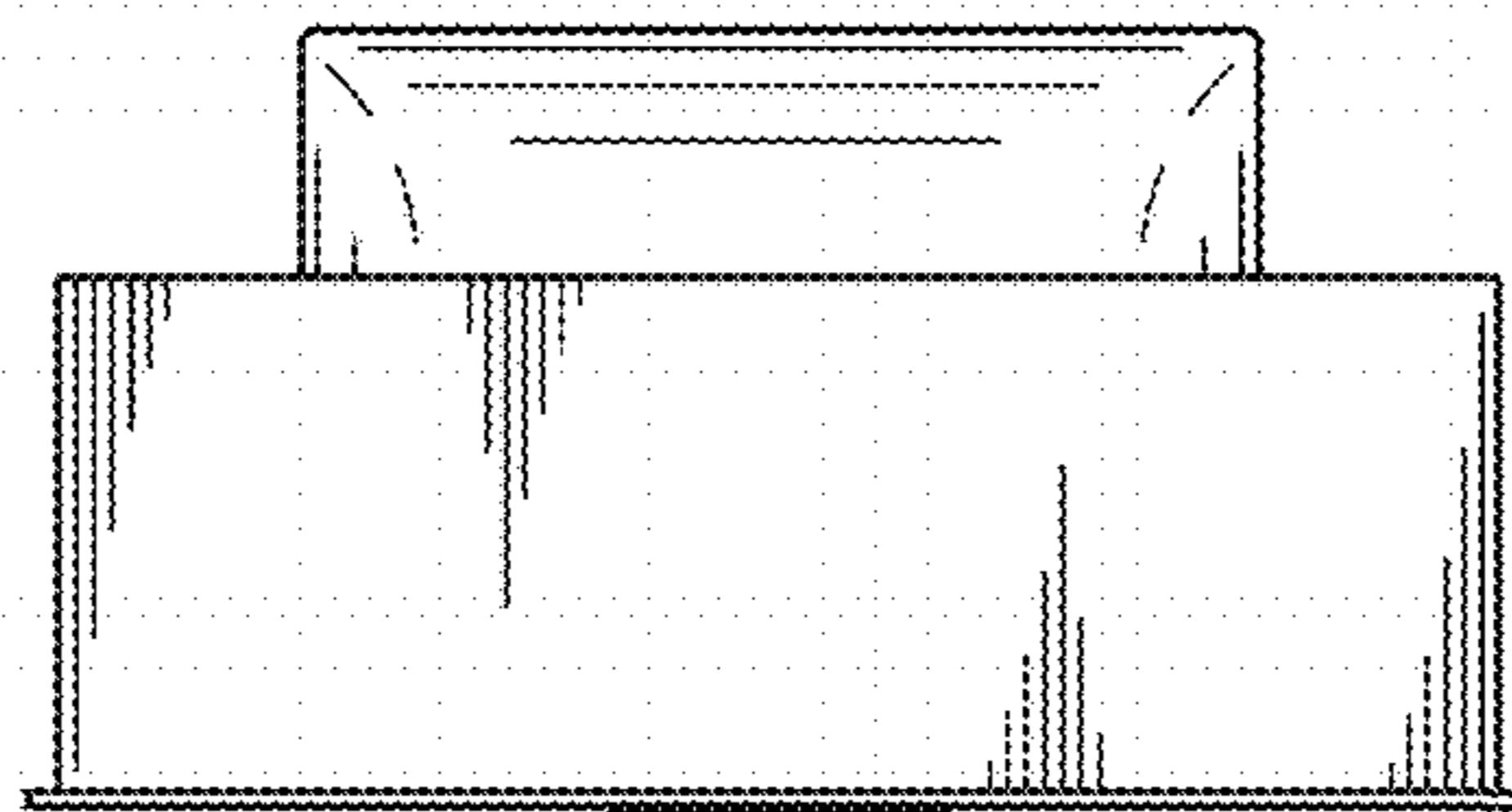


FIG. 2

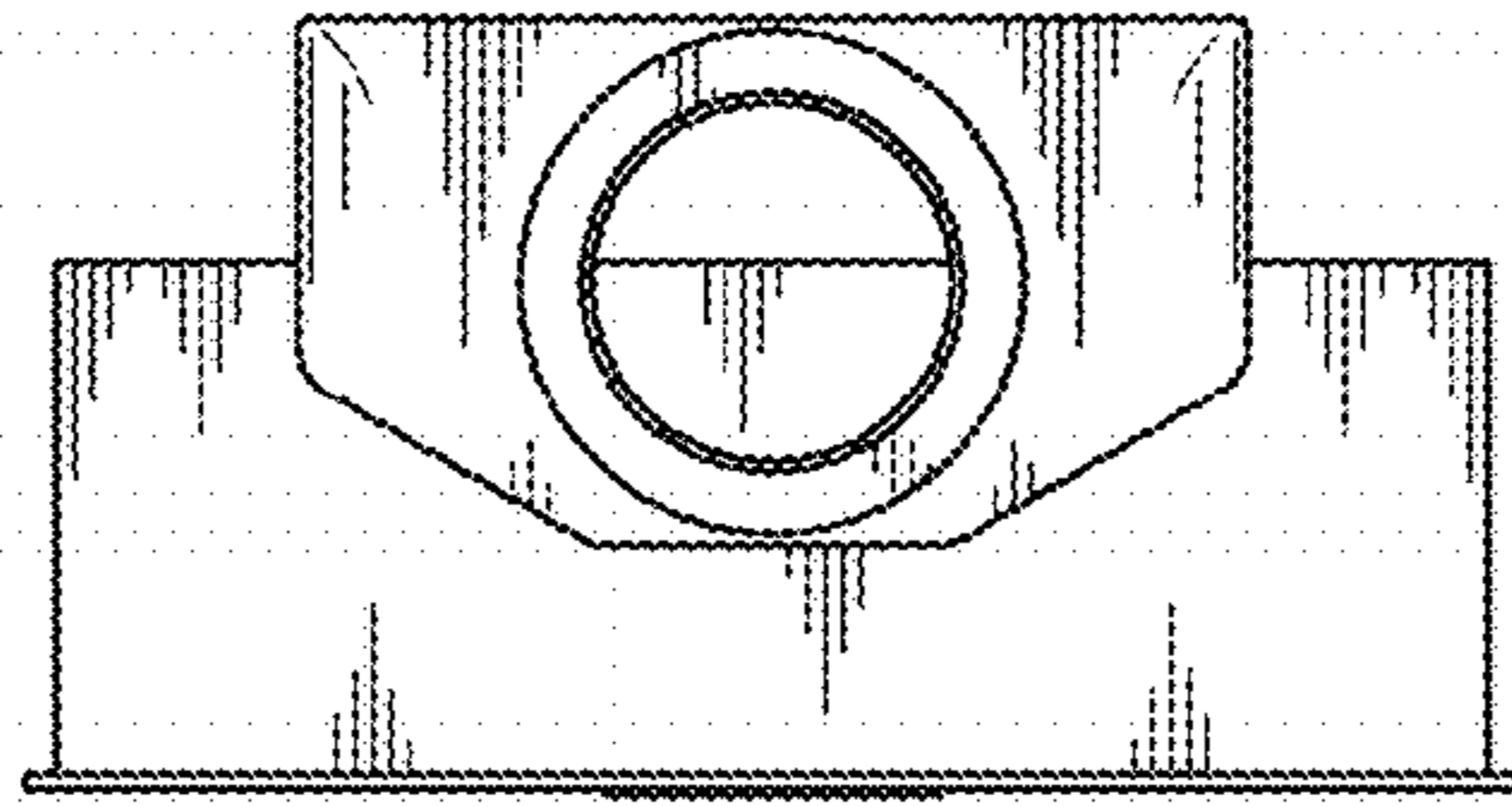


FIG. 3

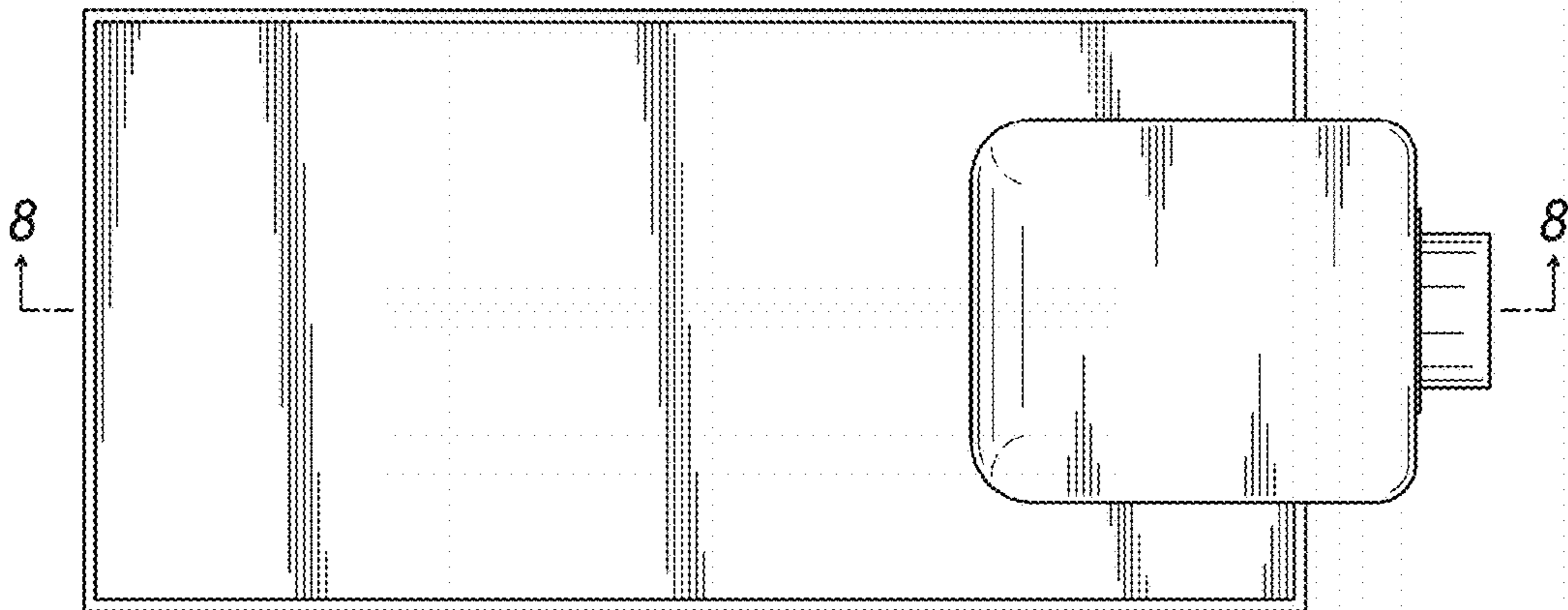


FIG. 4

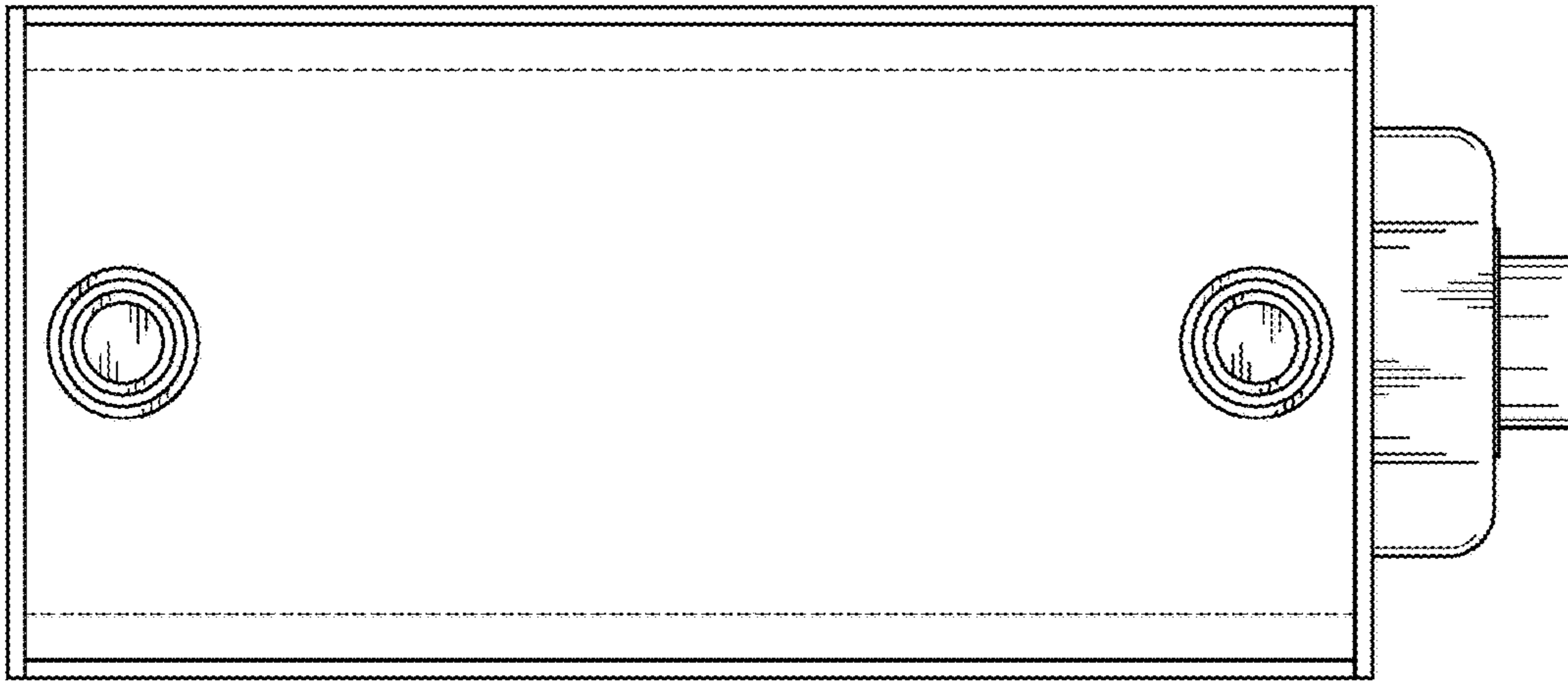


FIG. 5

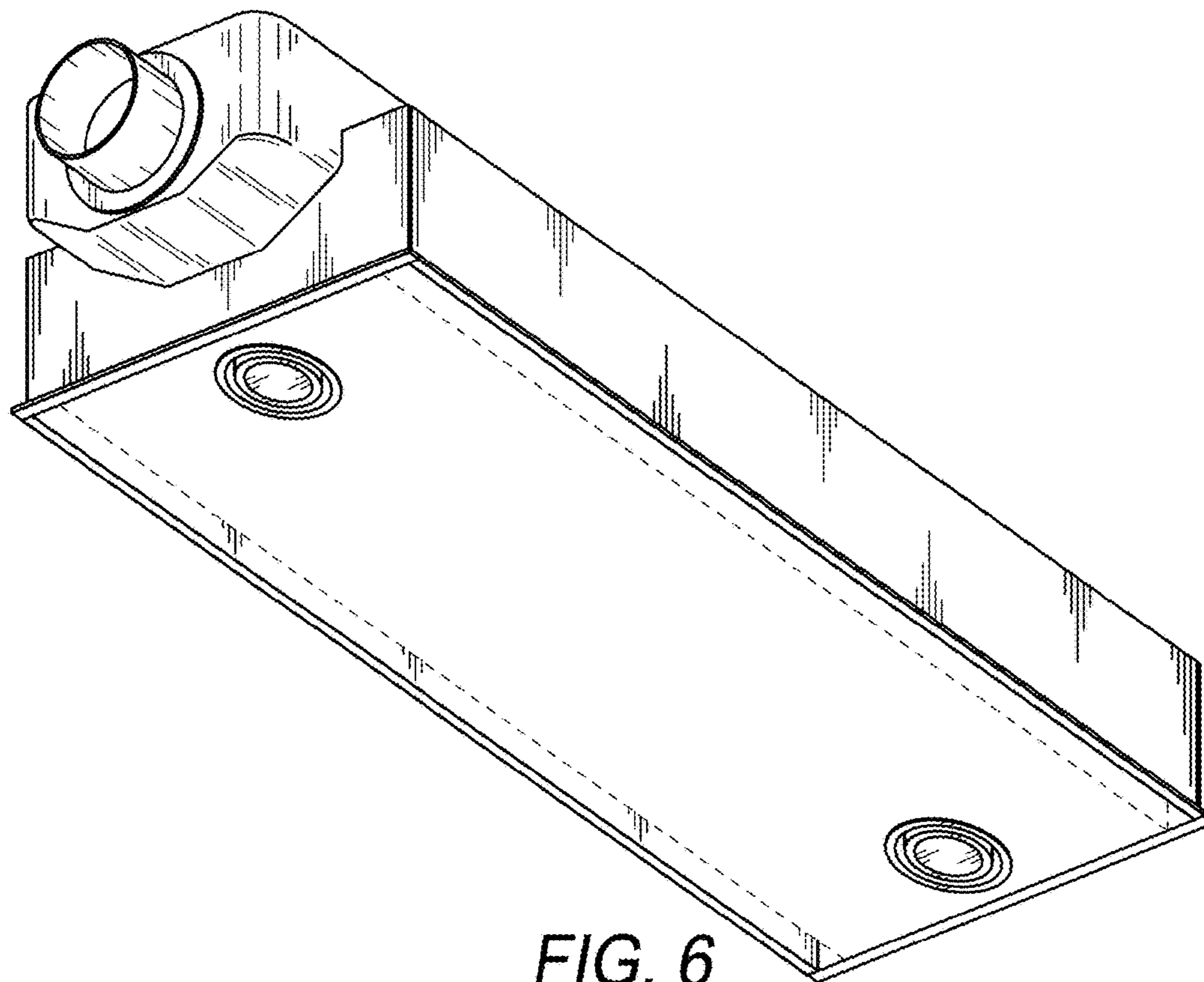


FIG. 6

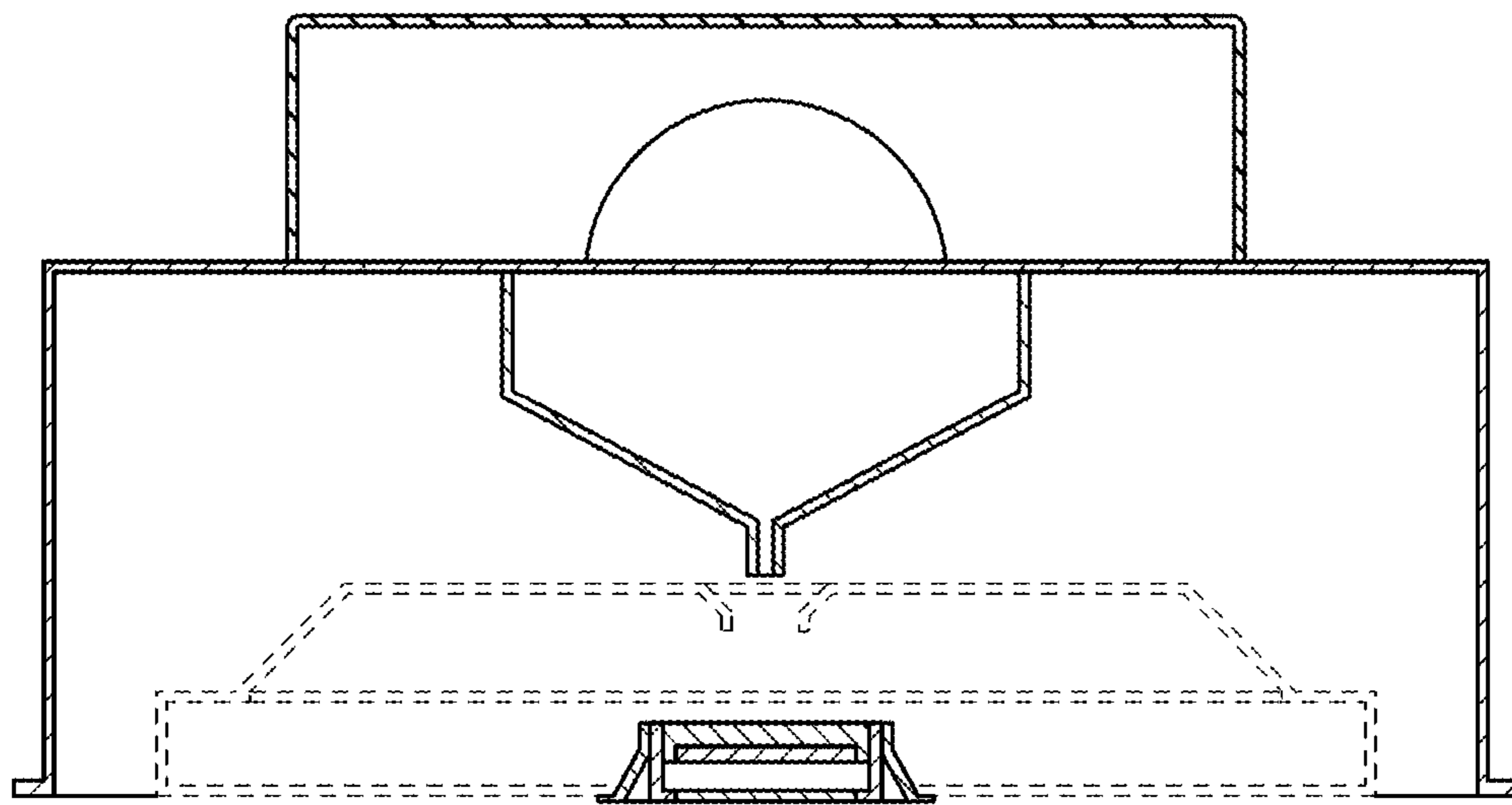


FIG. 7

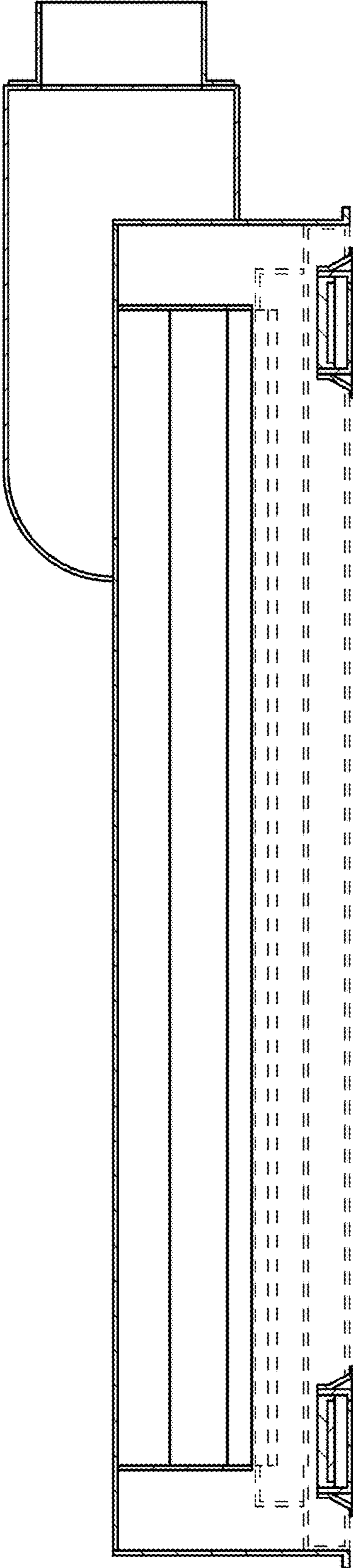


FIG. 8