



US00D805175S

(12) **United States Design Patent** (10) **Patent No.:** **US D805,175 S**  
**Haggar** (45) **Date of Patent:** **\*\* Dec. 12, 2017**

(54) **CEILING FAN**

(71) Applicant: **HUNTER FAN COMPANY**,  
Memphis, TN (US)

(72) Inventor: **Alexander Jonathan Haggar**,  
Memphis, TN (US)

(73) Assignee: **Hunter Fan Company**, Memphis, TN  
(US)

(\*\*) Term: **15 Years**

(21) Appl. No.: **29/582,440**

(22) Filed: **Oct. 27, 2016**

(51) **LOC (10) Cl.** ..... **23-04**

(52) **U.S. Cl.**  
USPC ..... **D23/377; D23/385**

(58) **Field of Classification Search**  
USPC ..... D23/370, 377, 379, 385, 411; D26/59  
CPC ..... F04D 25/088; F21V 33/0096  
See application file for complete search history.

(56) **References Cited**

**U.S. PATENT DOCUMENTS**

D298,052 S *	10/1988	Sonneman	.....	D23/377
D627,874 S *	11/2010	Pan	.....	D23/411
D628,688 S *	12/2010	Pan	.....	D23/377
D632,381 S *	2/2011	Davenport	.....	D23/377
D707,336 S *	6/2014	Pan	.....	D23/377
D760,368 S *	6/2016	Chen	.....	D23/377
2005/0249598 A1 *	11/2005	Young	.....	F04D 25/088 416/198 R

**OTHER PUBLICATIONS**

<https://www.menards.com/main/lighting-ceiling-fans/ceiling-fans/shop-all-ceiling-fans/turn-of-the-century-reg-montego-bay-52-weathered-copper-wet-rated-ceiling-fan/p-1444424537879-c-7487.htm?tid=70857110150563470>, Item Specification for Turn of the Century Montego Bay 52" Weathered Copper Transitional Wet-Rated Ceiling Fan, Model No. CP152115, Accessed on Oct. 27, 2016.

<http://www.kichlerlightinglights.com/product/kichler-lighting-vas-sar-indoor-ceiling-fans-300175wh.html?page=1>, Item Specification for Kichler 300175WH, Model No. 300175WH, Accessed on Oct. 27, 2016.

<http://www.homedepot.com/p/Hampton-Bay-Marlton-52-in-In-door-Liquid-Nickel-Ceiling-Fan-YG305-LN/202529593>, Item Specification for Hampton Bay Marlton 52 in. Indoor Liquid Nickel Ceiling Fan, Model No. YG305-LN, Accessed on Oct. 27, 2016.

<http://www.kichler.com/products/product/56-ellys-ceiling-fan-ni-300239ni.aspx>, Item Specification for Ellys Collection 56" Ellys Ceiling Fan NI, Model No. 300239NI, Accessed on Oct. 27, 2016.

<http://www.montecarlofans.com/50446/52-Discus-Trio---Brushed-Steel-3DIR52BSD.html>, Item Specification for Monte Carlo Discus Trio Collection, Model No. 3DIR52BSD, Accessed on Oct. 27, 2016.

<http://ceilingfans.emerson.com/shop/en/fan/midway-eco-fan-p-cf955>, Item Specification for Emerson Midway Eco, Model No. CF955BS, Accessed on Oct. 27, 2016.

<http://kingoffans.com/#/products/ceilingFans>, Item Specification for Windward, Model No. 54404, Accessed on Oct. 27, 2016.

\* cited by examiner

*Primary Examiner* — Janice Hallmark

(74) *Attorney, Agent, or Firm* — McGarry Bair PC

(57) **CLAIM**

The ornamental design for a ceiling fan, as shown and described.

**DESCRIPTION**

FIG. 1 is a bottom perspective view of a ceiling fan showing my new design;

FIG. 2 is a top perspective view of the ceiling fan of FIG. 1;

FIG. 3 is a top view of the ceiling fan of FIG. 1;

FIG. 4 is a bottom view of the ceiling fan of FIG. 1;

FIG. 5 is a rear side view of the ceiling fan of FIG. 1;

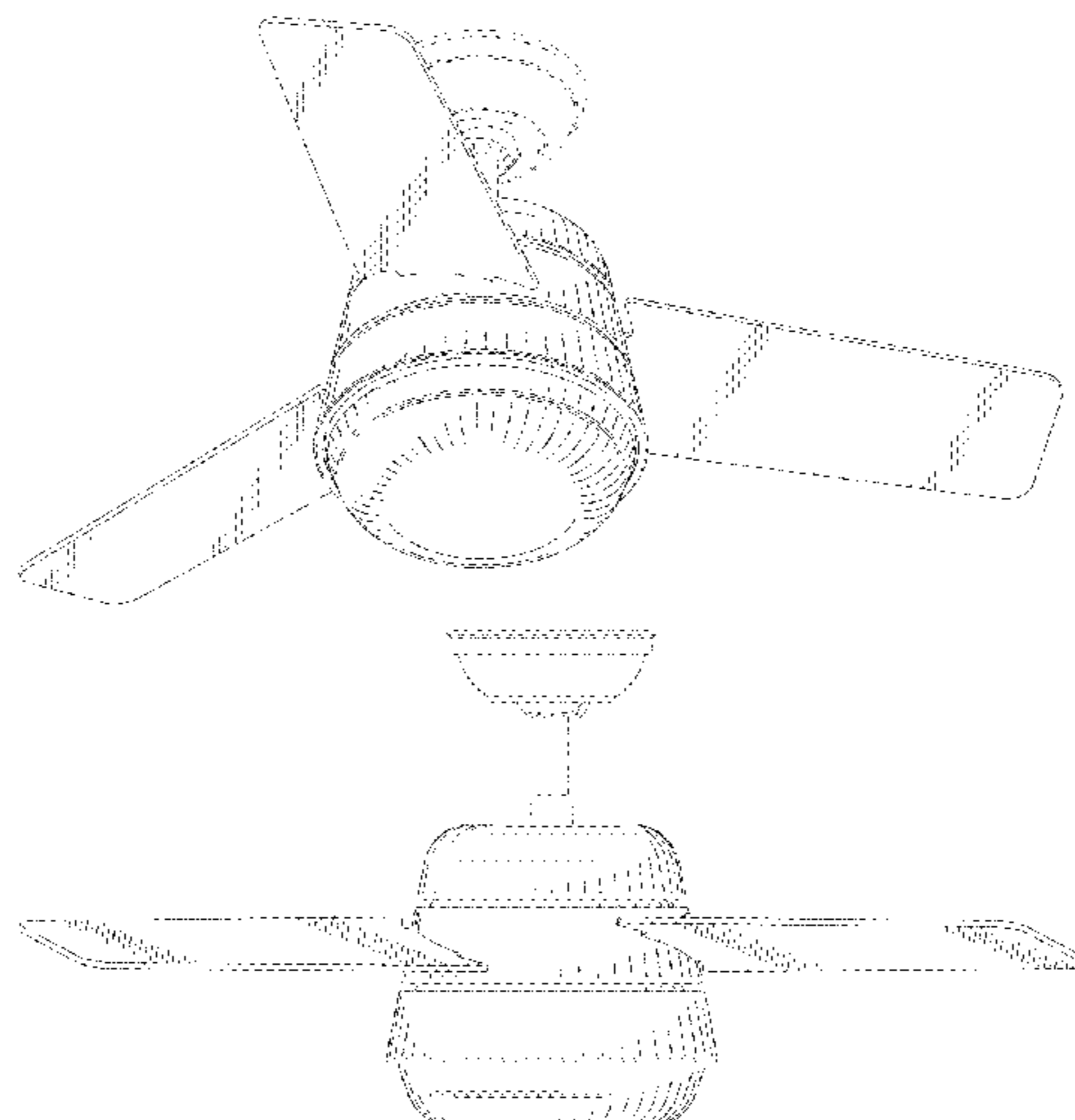
FIG. 6 is a left side view of the ceiling fan of FIG. 1;

FIG. 7 is a front side view of the ceiling fan of FIG. 1; and,

FIG. 8 is a right side view of the ceiling fan of FIG. 1.

Portions of the ceiling fan shown in broken lines form no part of the claimed design.

**1 Claim, 8 Drawing Sheets**



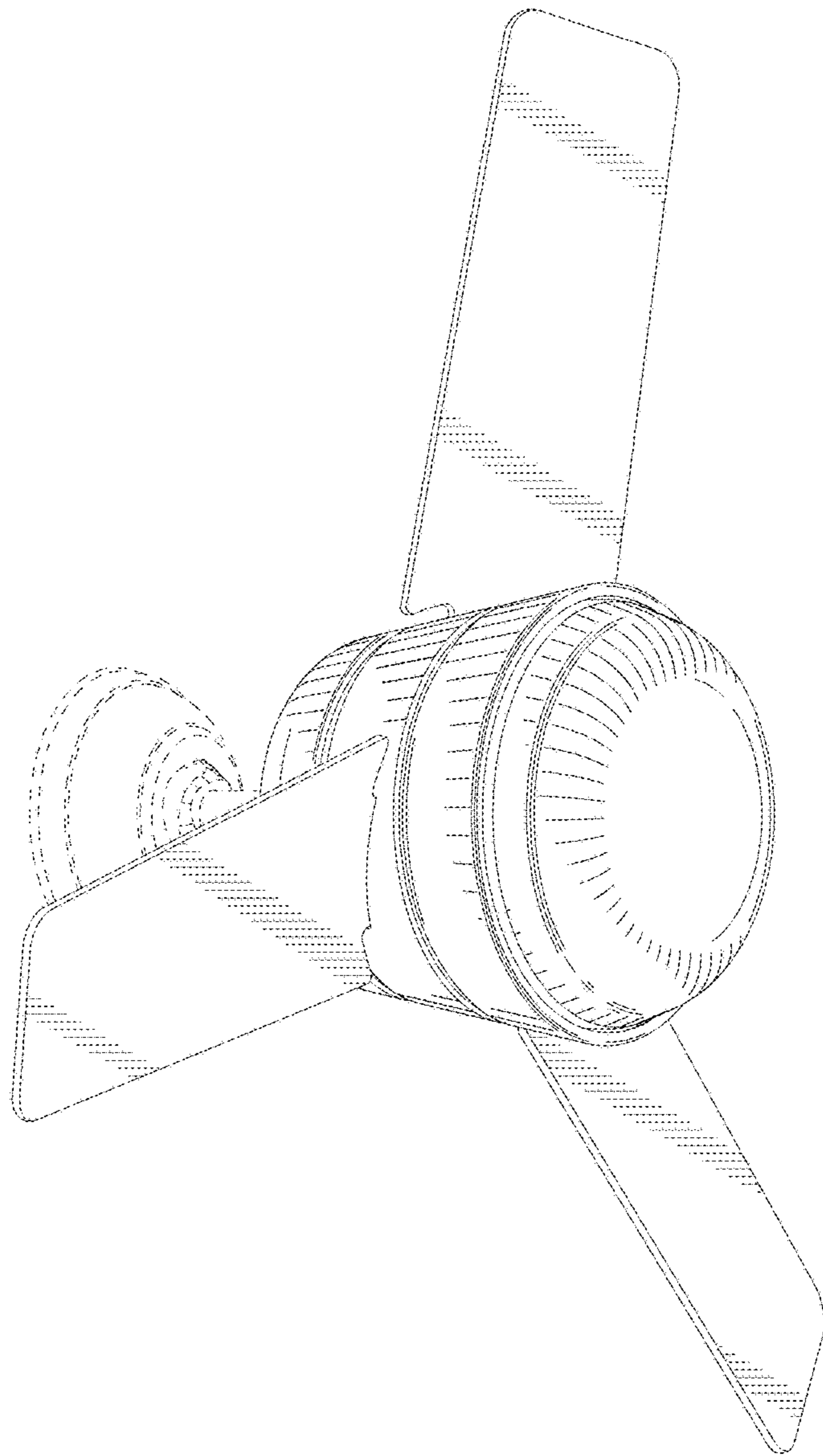


FIG. 1

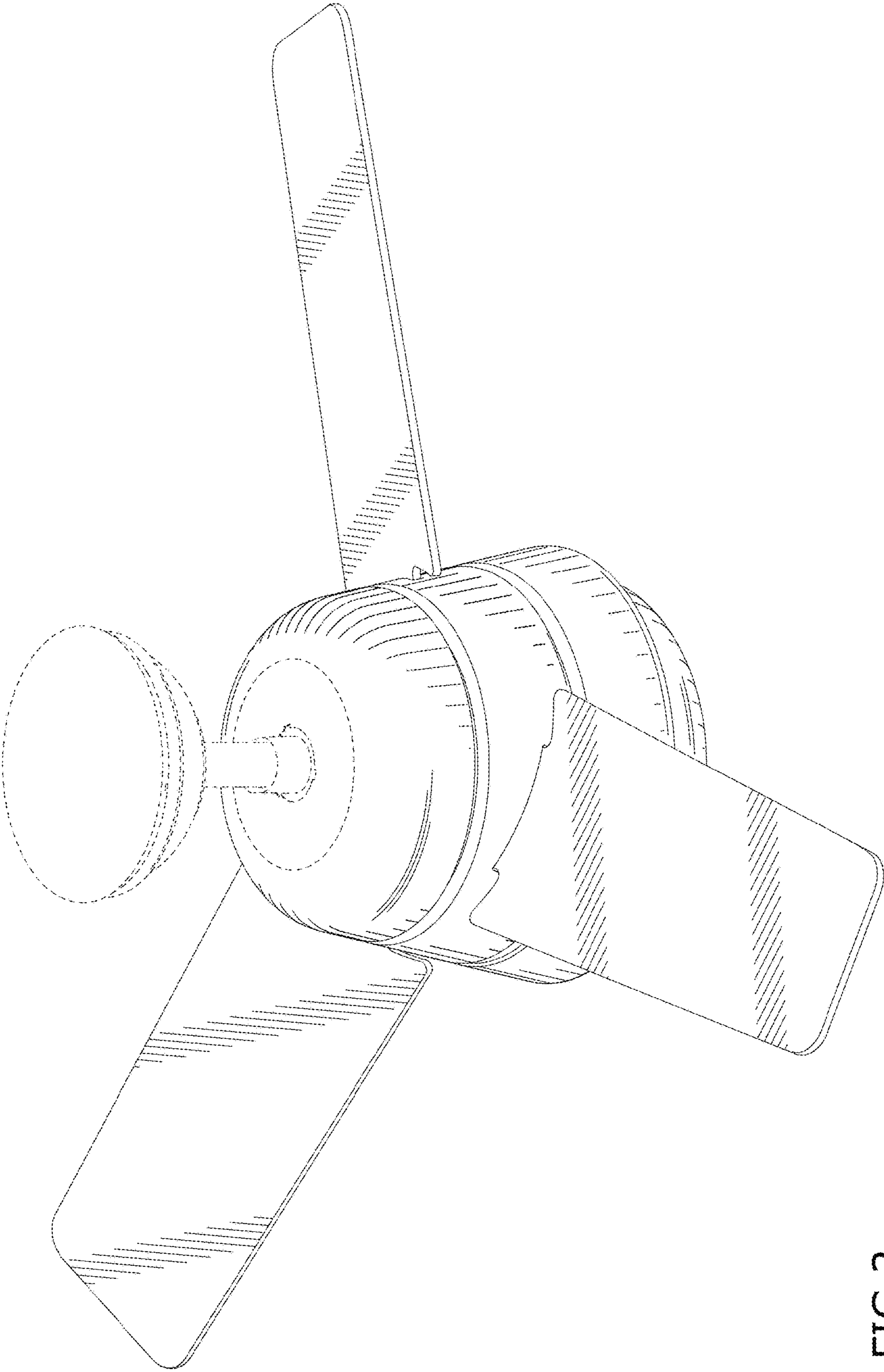


FIG.2

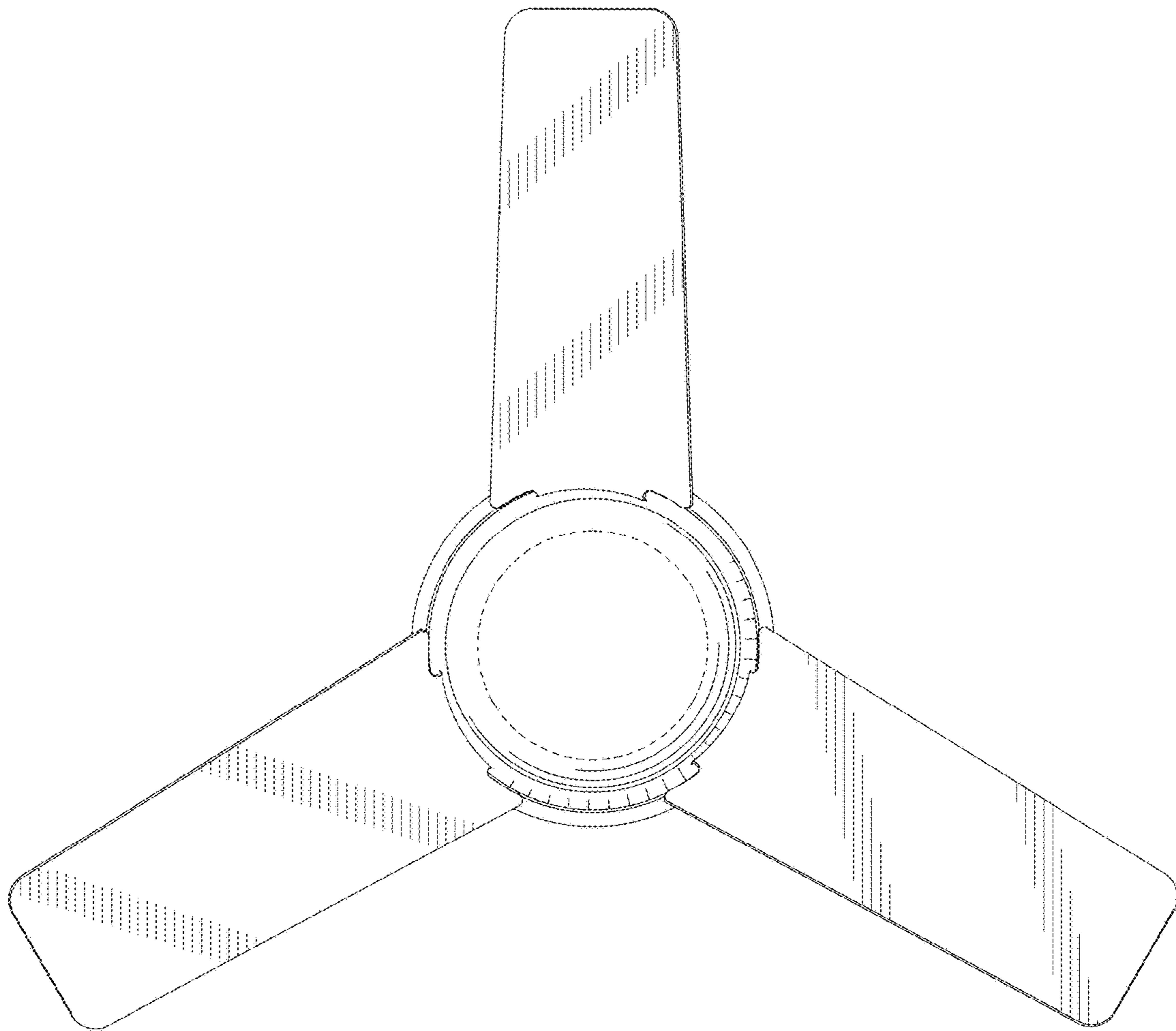


FIG.3

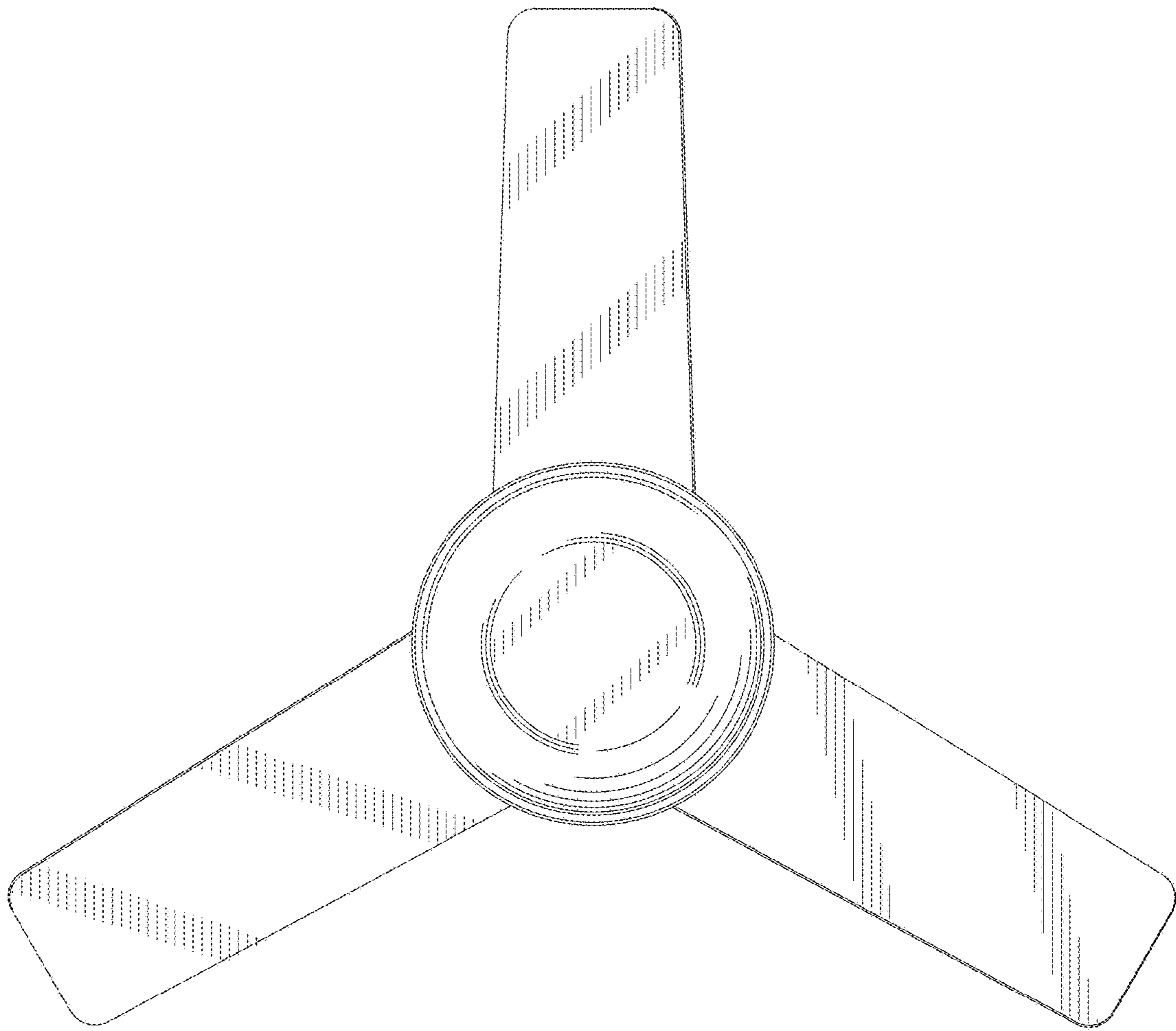


FIG. 4

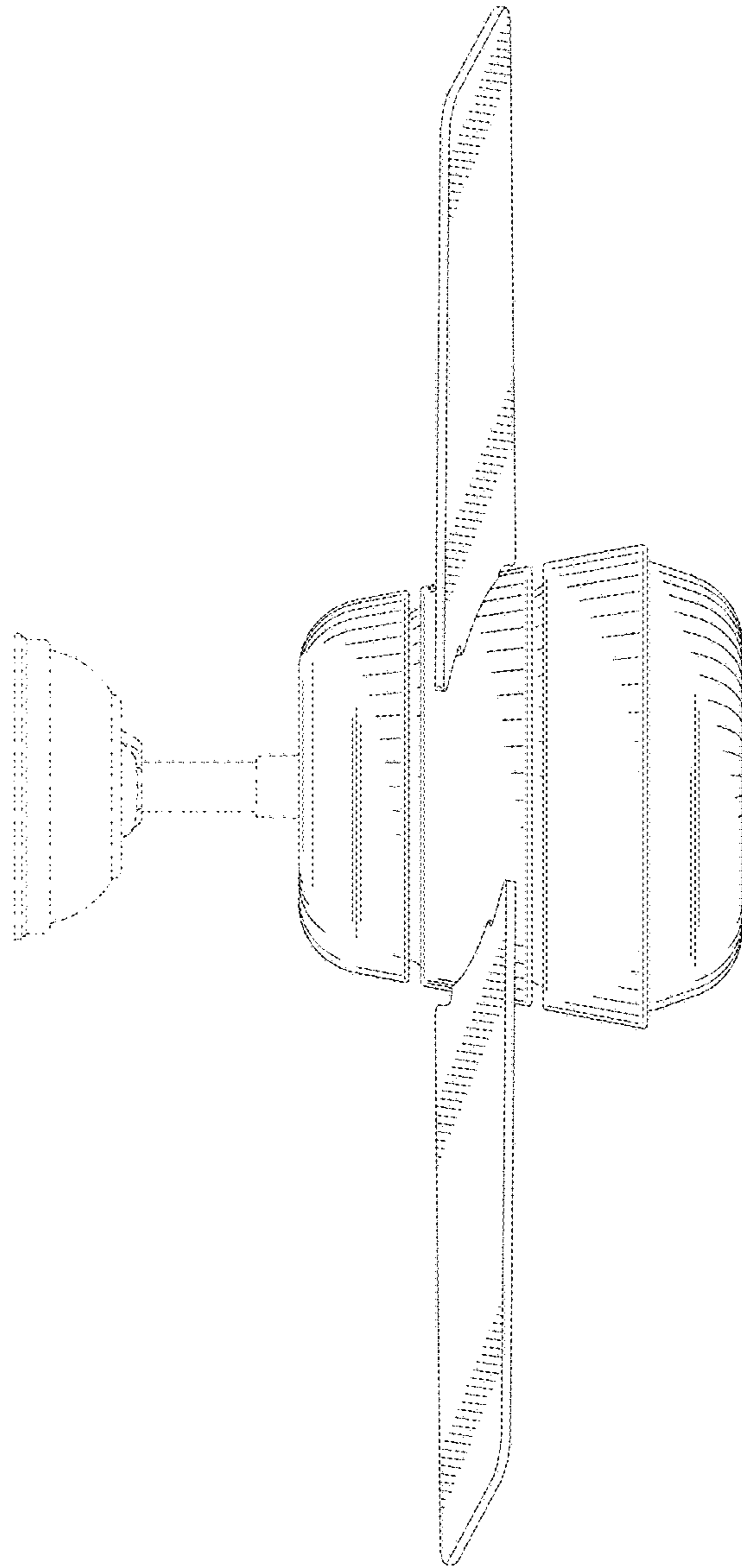


FIG. 5

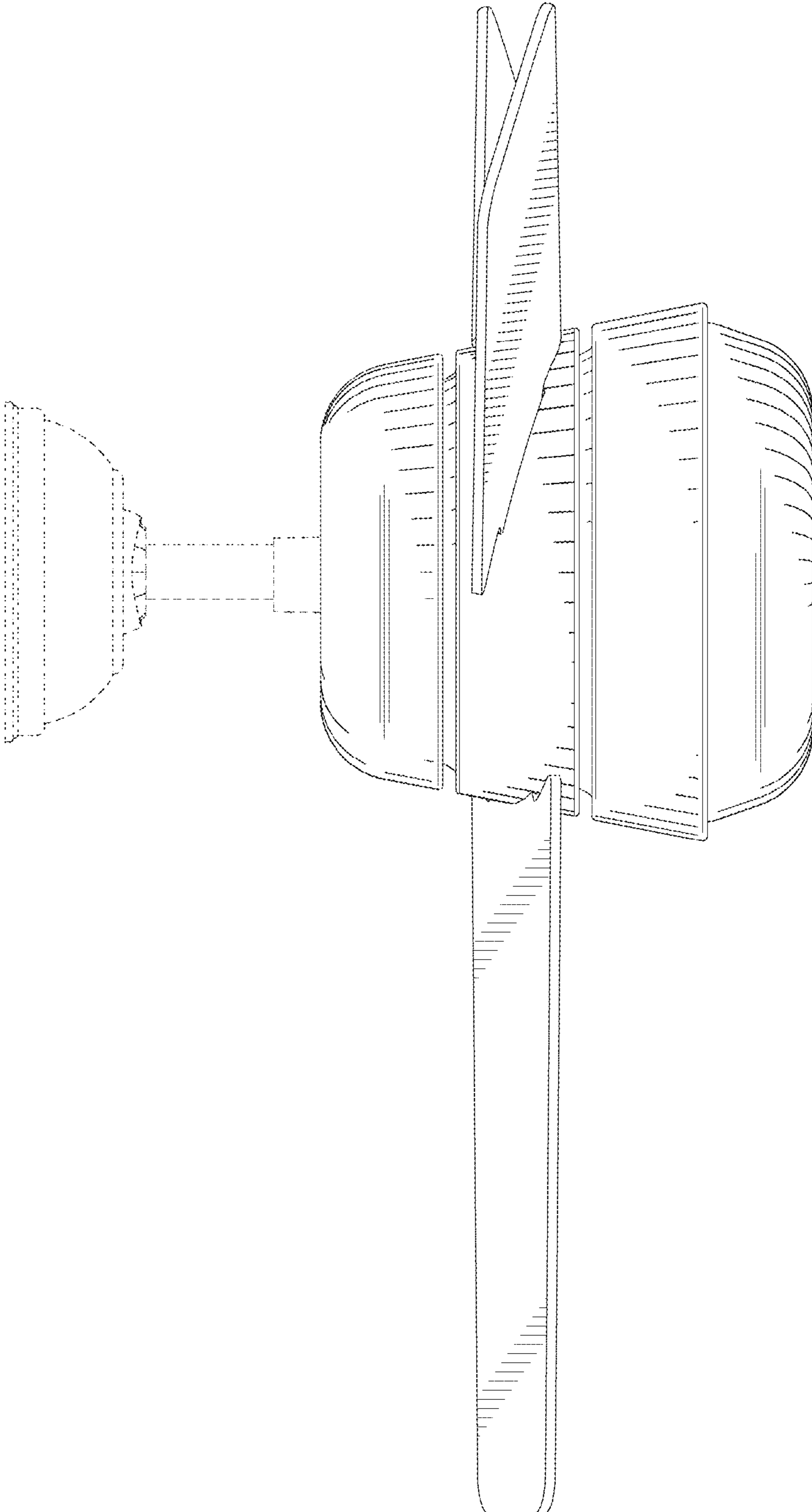


FIG.6

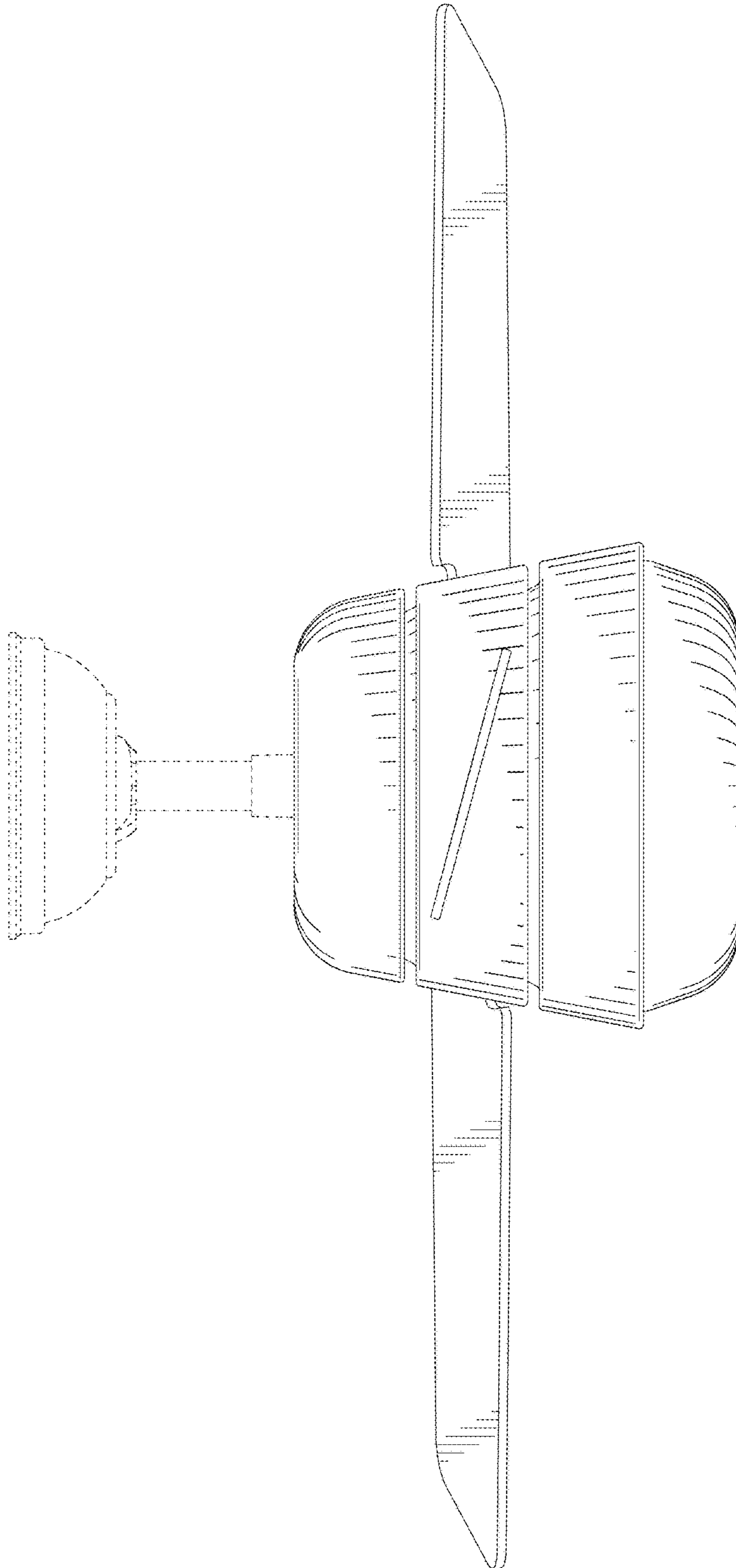


FIG.7



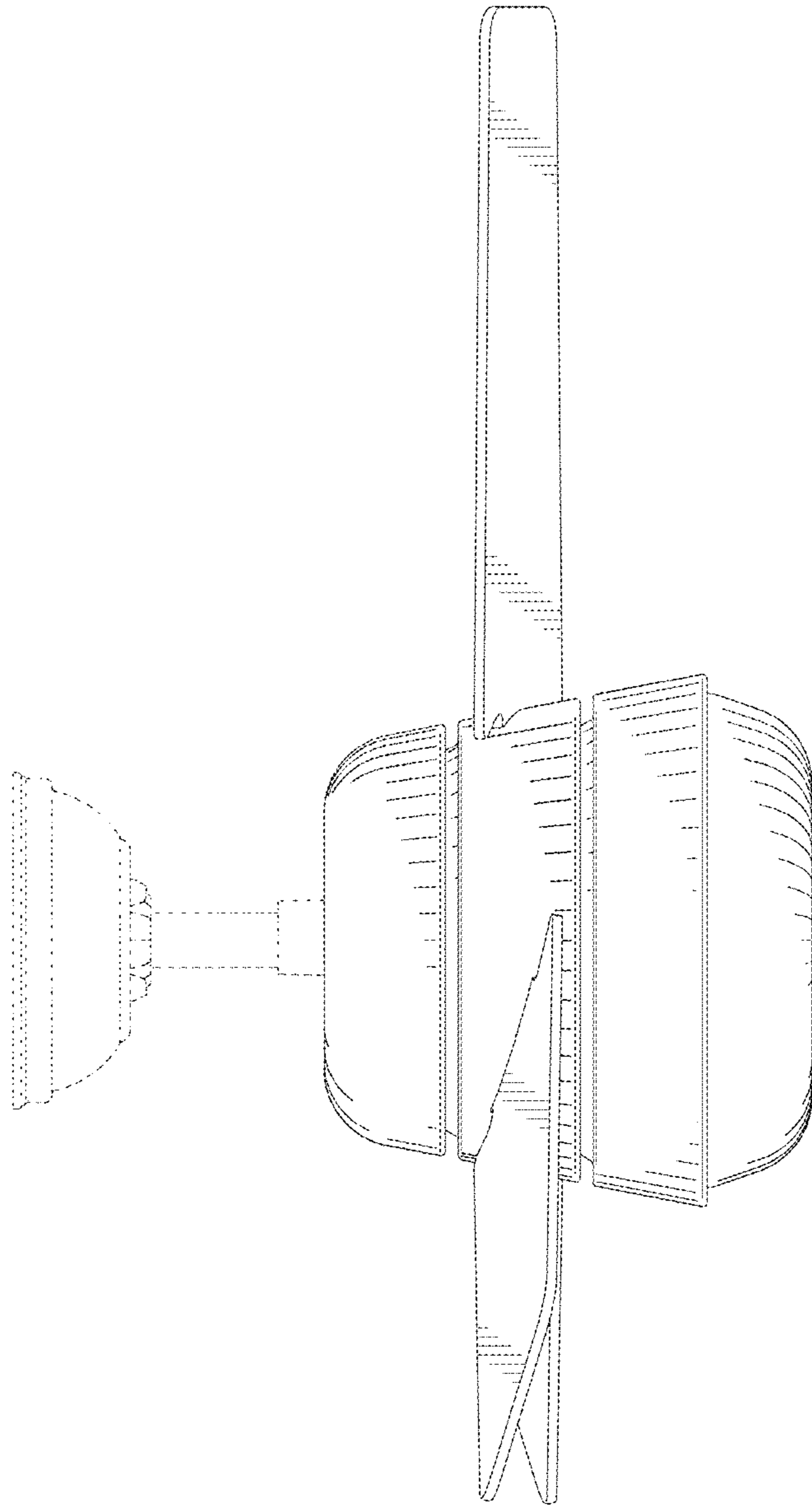


FIG. 8