



US00D805173S

(12) **United States Design Patent** (10) **Patent No.:** **US D805,173 S**
Vajen Habig et al. (45) **Date of Patent:** **** Dec. 12, 2017**

(54) **CEILING FAN**

(71) Applicant: **HUNTER FAN COMPANY**,
Memphis, TN (US)

(72) Inventors: **Dana Vajen Habig**, Cincinnati, OH
(US); **Claire Bernice McRoberts**,
Memphis, TN (US); **Patrick R.**
O'Connell, Germantown, TN (US)

(73) Assignee: **Hunter Fan Company**, Memphis, TN
(US)

(**) Term: **15 Years**

(21) Appl. No.: **29/557,279**

(22) Filed: **Mar. 8, 2016**

(51) **LOC (10) Cl.** **23-04**

(52) **U.S. Cl.**

USPC **D23/377**; D23/411; D23/413

(58) **Field of Classification Search**

USPC D23/355, 370-387, 411-414; D26/59;
D12/214

CPC F04D 25/088; F21V 33/0096

See application file for complete search history.

(56) **References Cited**

U.S. PATENT DOCUMENTS

D134,758 S *	1/1943	Fukal	D23/377
D345,790 S	4/1994	Caldwell		
D465,277 S	11/2002	Sonneman		
D476,411 S	6/2003	Friedes		
D478,161 S *	8/2003	Collmar	D23/377
D607,988 S *	1/2010	Oleson	D23/377
D619,238 S *	7/2010	Hidalgo	D23/377
D635,237 S *	3/2011	Fizer	D23/377
D660,952 S *	5/2012	Spaggiari	D23/370

OTHER PUBLICATIONS

Hunter 59239—Ronan—52" Matte Black+ Satin Cooper, published
Jan. 29, 2016, hansenwholesale.com, site visited Jan. 27, 2017,

Copyright © 1994-2017, Available from Internet, <<http://www.hansenwholesale.com/ceilingfans/hunter/model.asp?ProdNo=59239>>.*

<http://www.craftmade.com/Craftmade-MOR54ESP3-Espresso-Ceiling-Fan.HTM>, Craftmade—MOR54ESP3—Moorestad 54" Ceiling Fan Blades Included in Espresso with Matte Opal Glass, MOR54ESP3, accessed Mar. 8, 2016.

<http://www.fanimation.com/products/index.php/fans/kaya.html>, Kaya, FP7963, accessed Mar. 8, 2016.

<http://www.minkagroup.net/products/f582-orb>, Rainamn, F582-ORB, accessed Mar. 8, 2016.

(Continued)

Primary Examiner — Cathron C Brooks

Assistant Examiner — Sharon S Oum

(74) *Attorney, Agent, or Firm* — McGarry Bair PC

(57) **CLAIM**

The ornamental design for a ceiling fan, as shown and described.

DESCRIPTION

FIG. 1 is a top perspective view of a ceiling fan;
FIG. 2 is a bottom perspective view of the ceiling fan of FIG. 1;

FIG. 3 is a top view of the ceiling fan of FIG. 1;

FIG. 4 is a bottom view of the ceiling fan of FIG. 1;

FIG. 5 is a front view of the ceiling fan of FIG. 1;

FIG. 6 is a rear view of the ceiling fan of FIG. 1;

FIG. 7 is a left side view of the ceiling fan of FIG. 1;

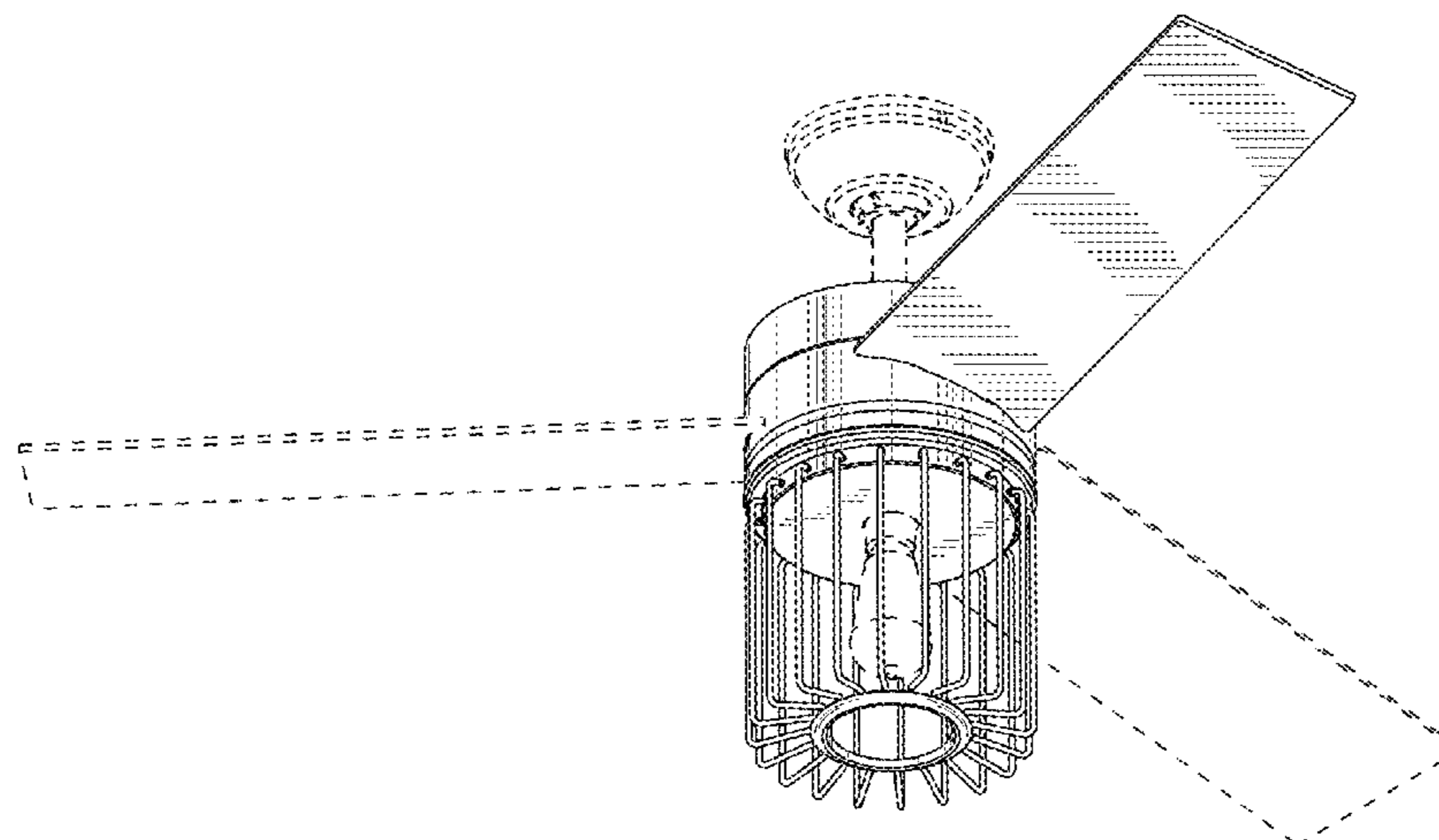
FIG. 8 is a right side view of the ceiling fan of FIG. 1;

FIG. 9 is an enlarged view of a portion of a light kit of the ceiling fan of FIG. 1; and,

FIG. 10 is another enlarged view of a portion of the light kit of the ceiling fan of FIG. 2.

Portions of the ceiling fan shown in broken lines form no part of the claimed design.

1 Claim, 10 Drawing Sheets



(56)

References Cited

OTHER PUBLICATIONS

http://www.amazon.com/gp/product/B008HF6OM8?keywords=possini%20euro%20edge&qid=1444139700&ref_=sr_1_1&sr=8-1, 60" Possini Euro Edge II Oil-Rubbed Bronze Ceiling Fan, accessed Mar. 8, 2016.
<http://www.kichler.com/products/product/maor-patio-65-ceiling-fan-olde-bronze-oz-310136oz.aspx>, Maor Patio collection Maor Patio 65" Ceiling Fan—Olde Bronze OZ, 310136OZ, accessed Mar. 8, 2016.

* cited by examiner

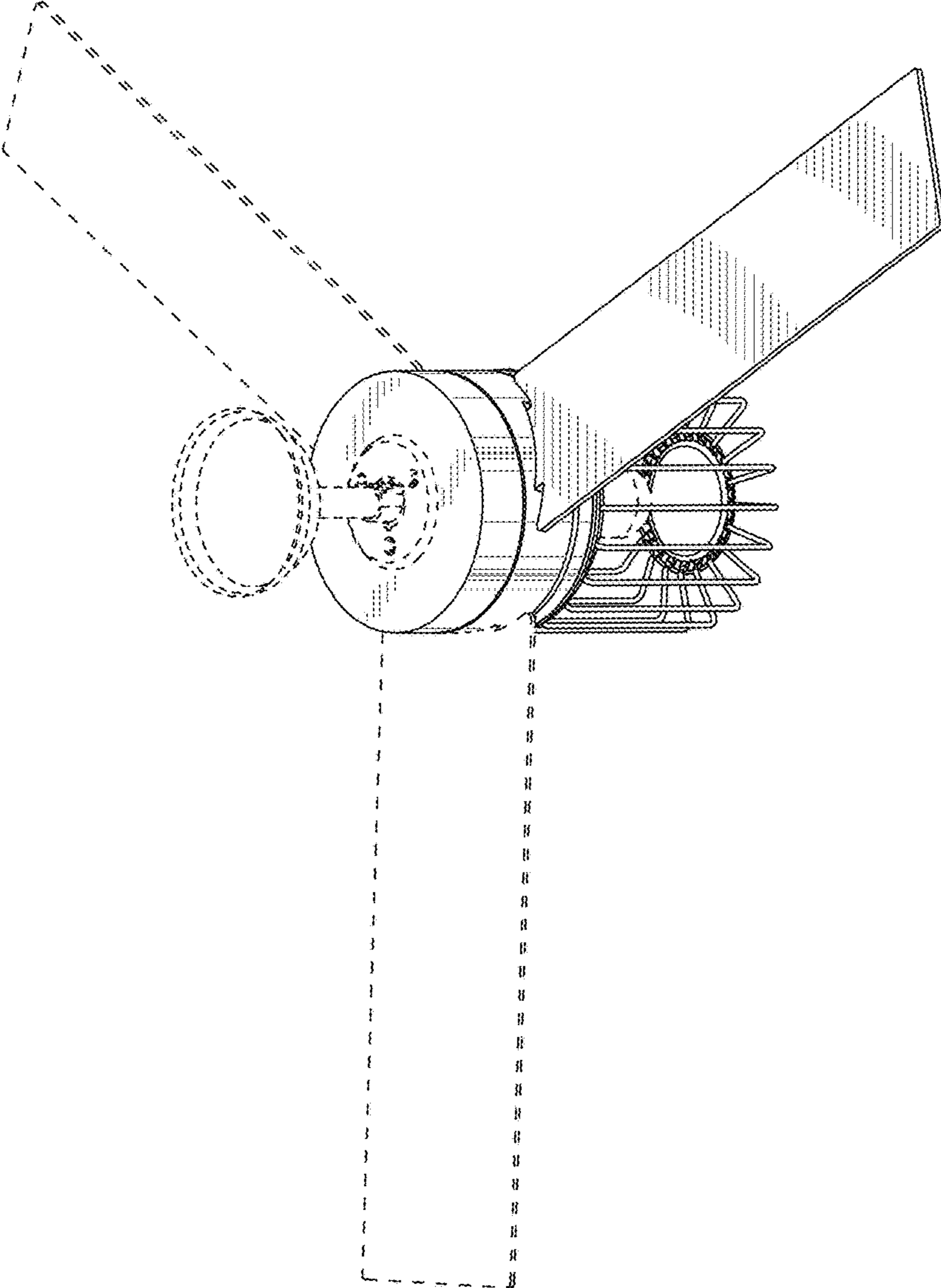


FIG. 1

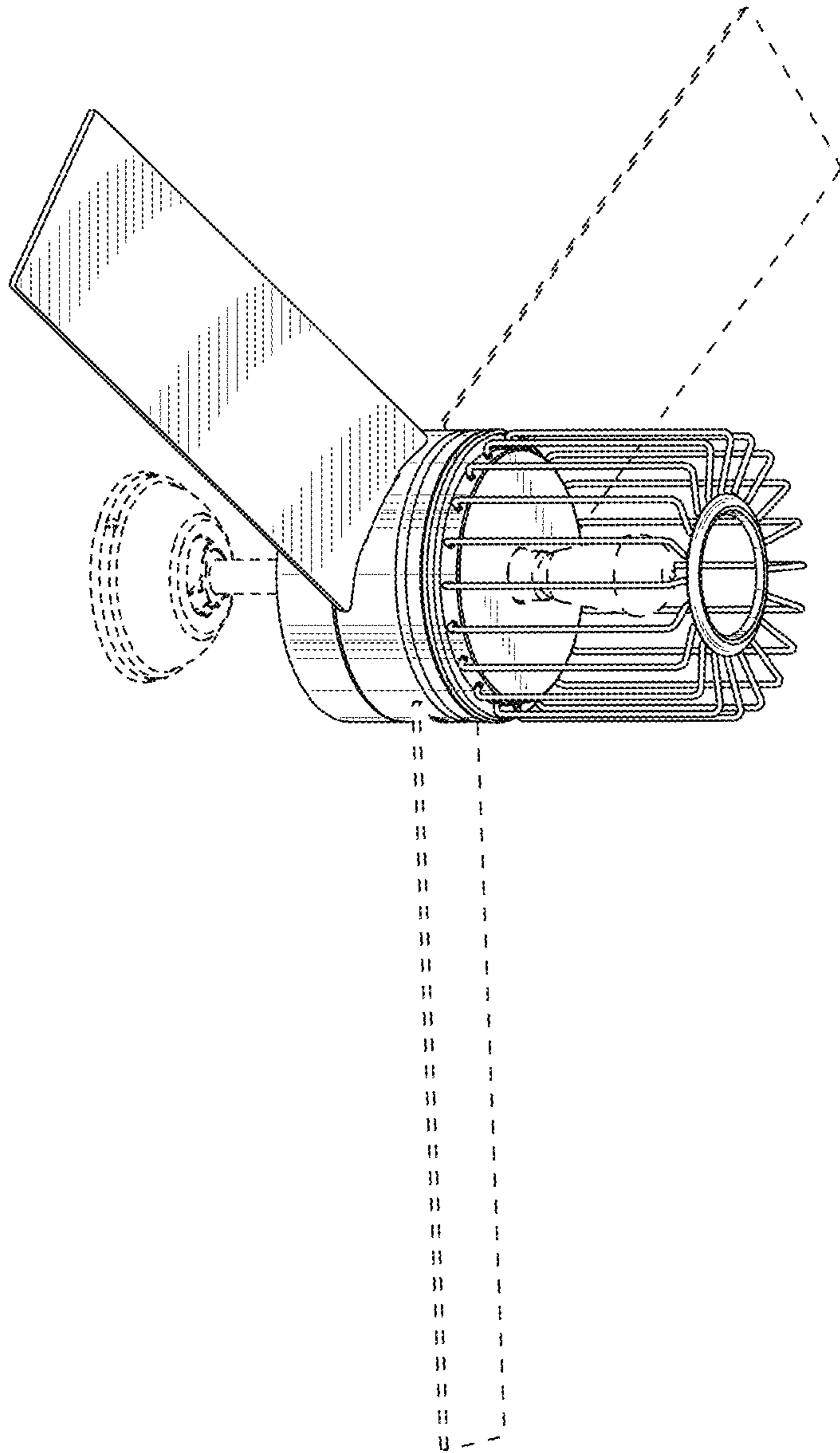


FIG. 2

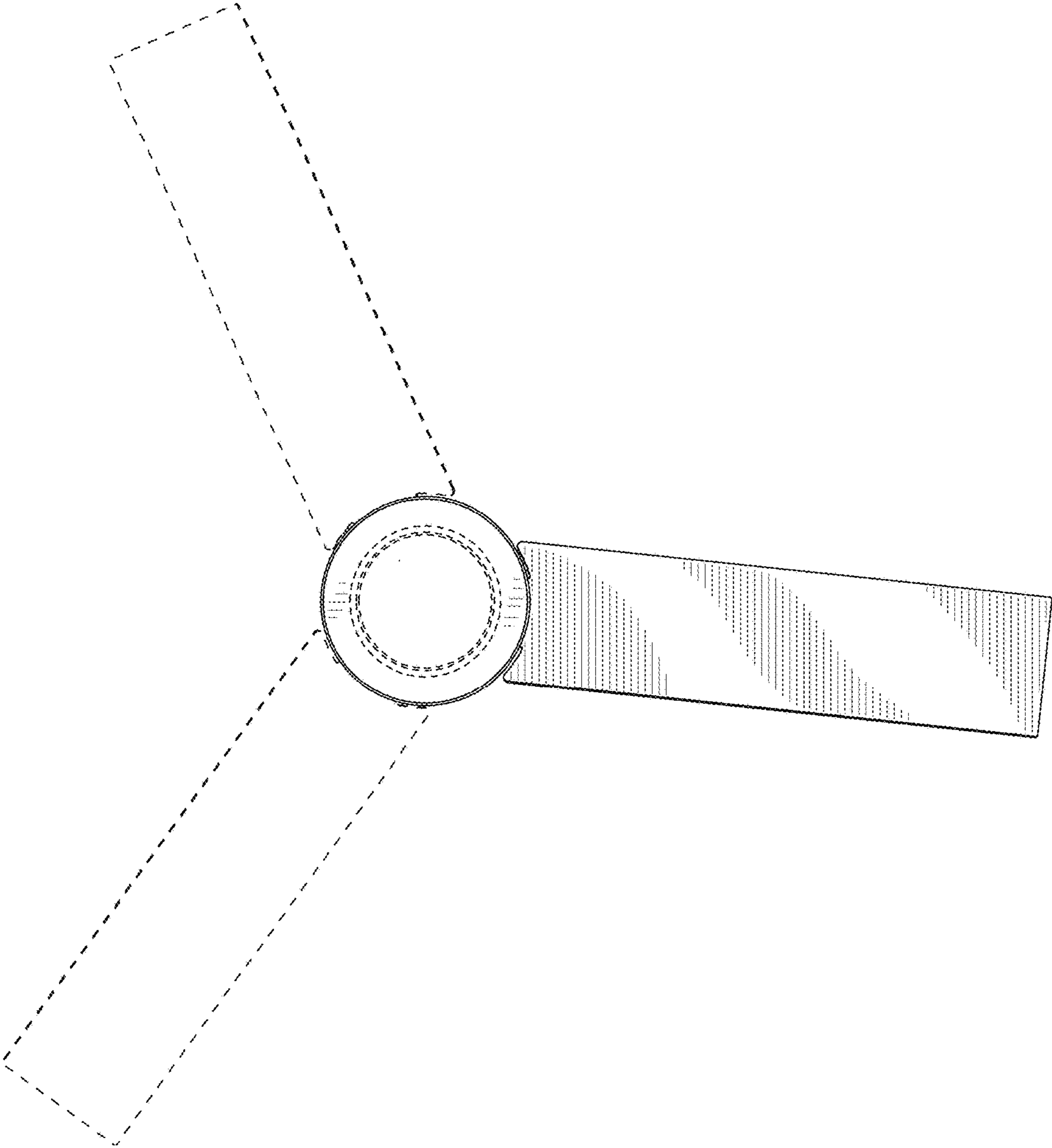


FIG. 3

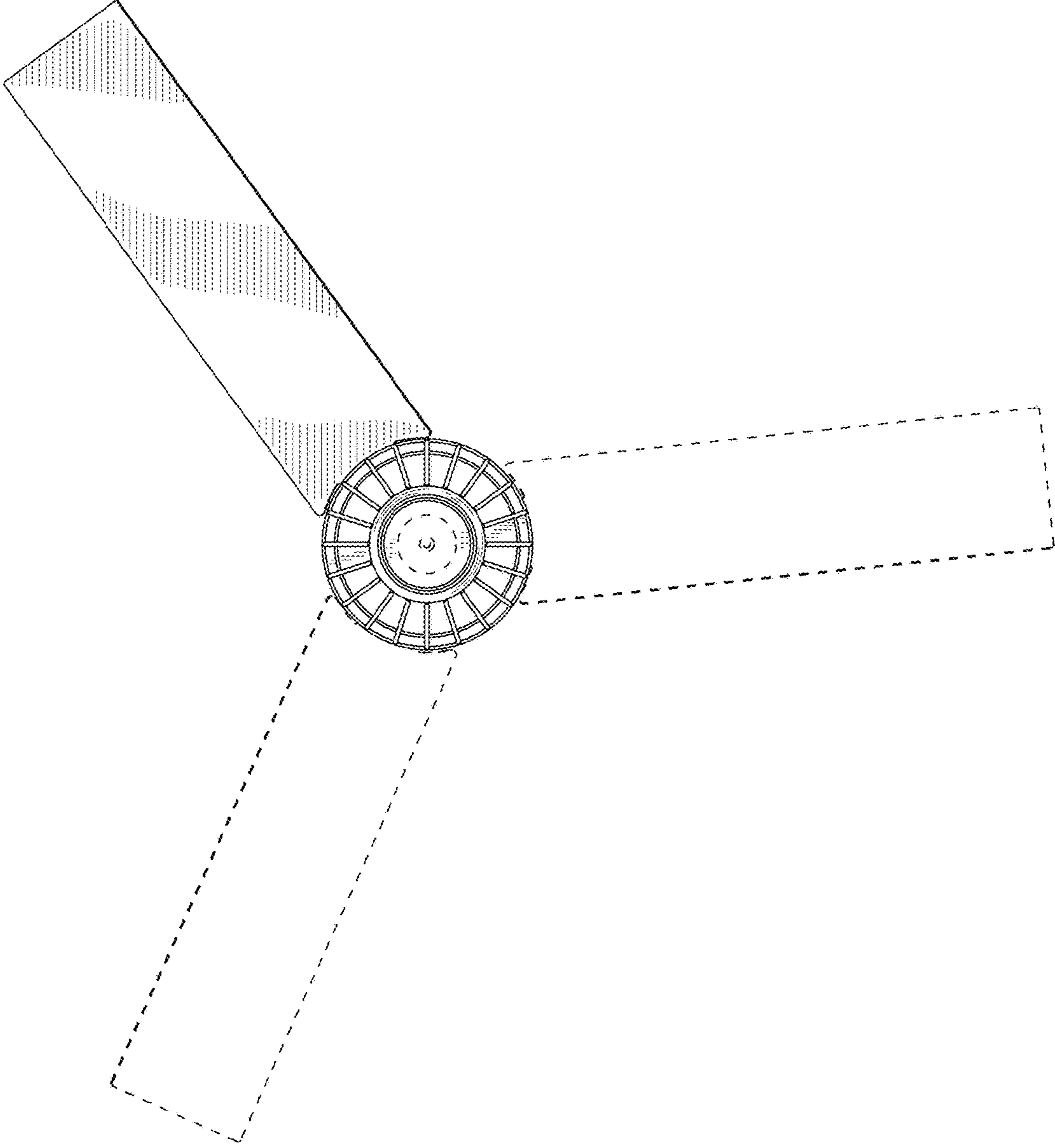


FIG. 4

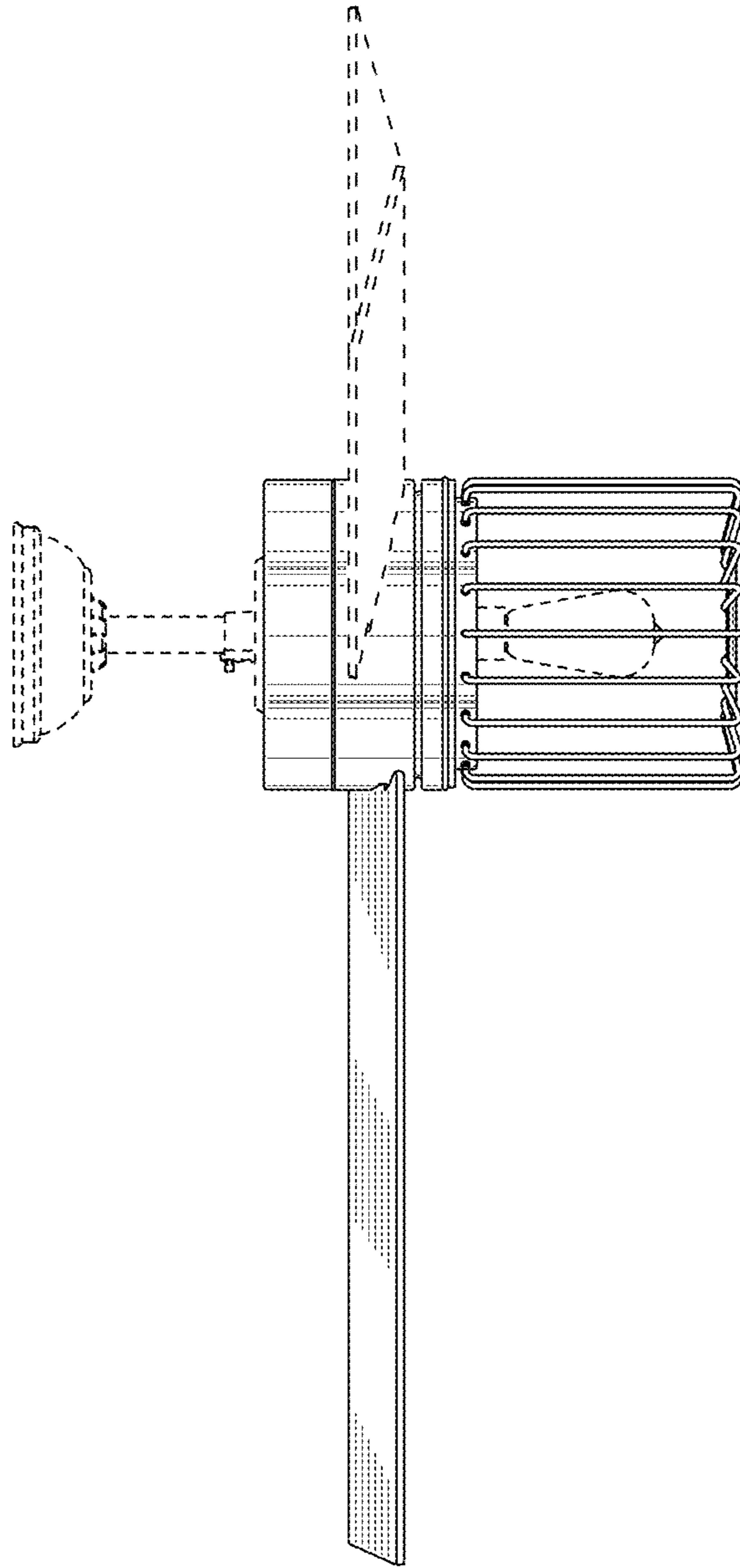


FIG. 5

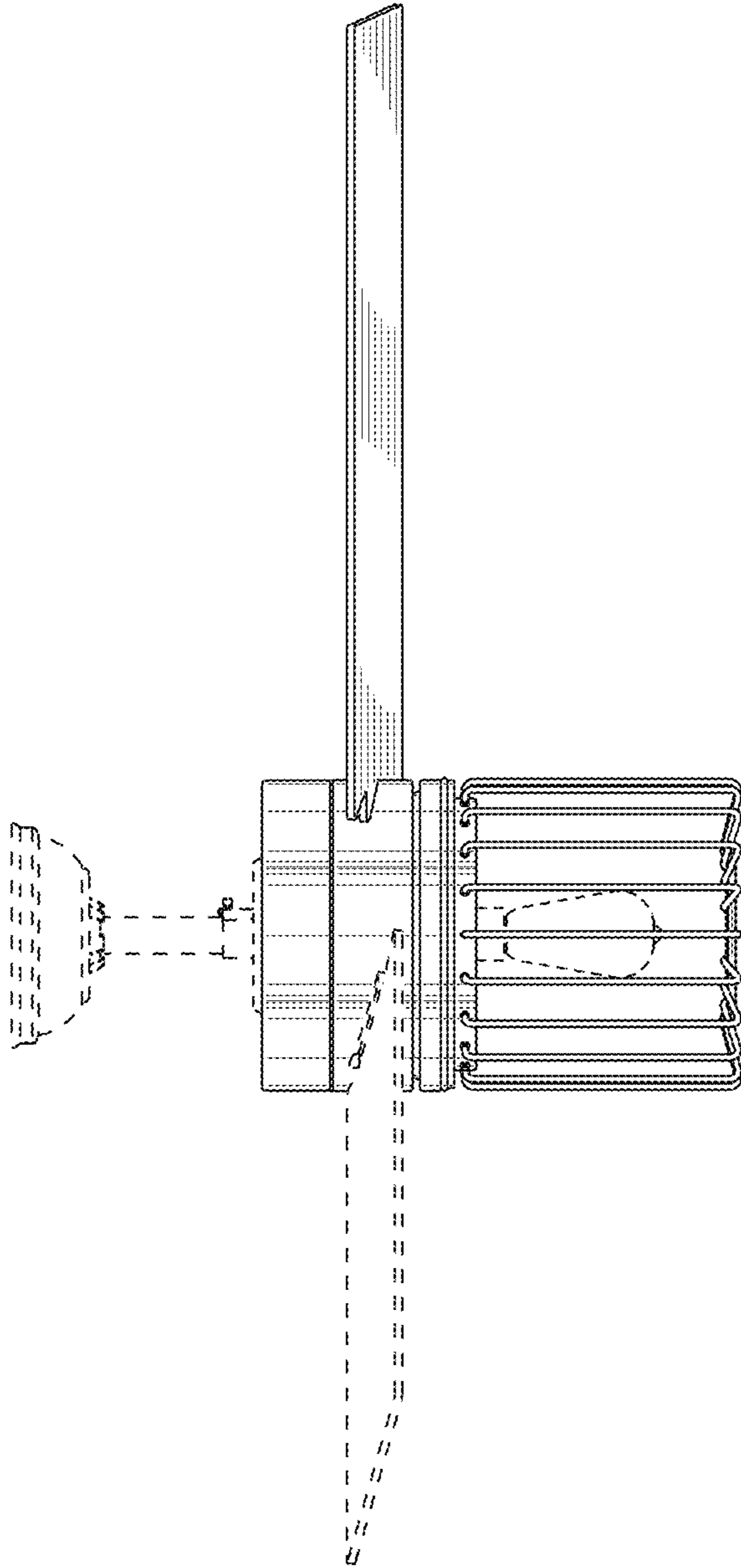


FIG. 6

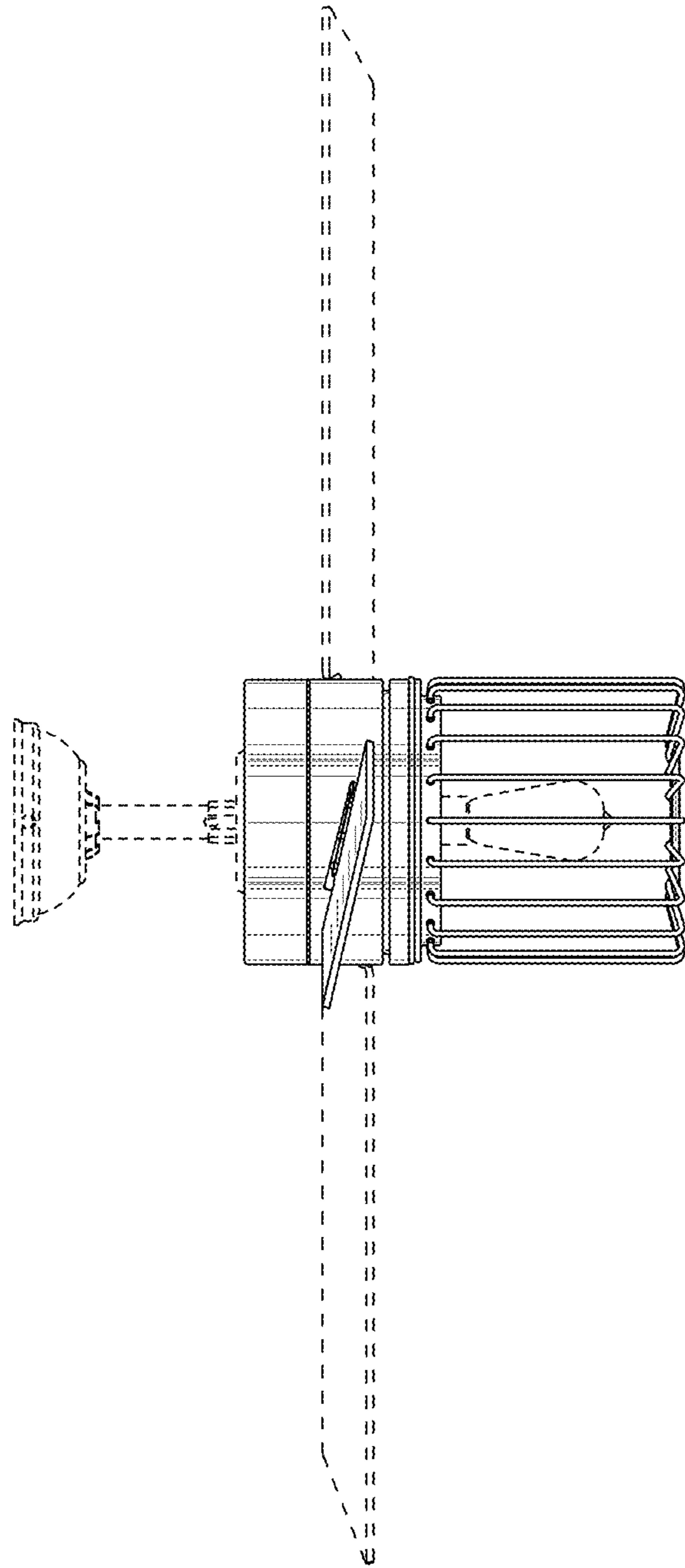


FIG. 7

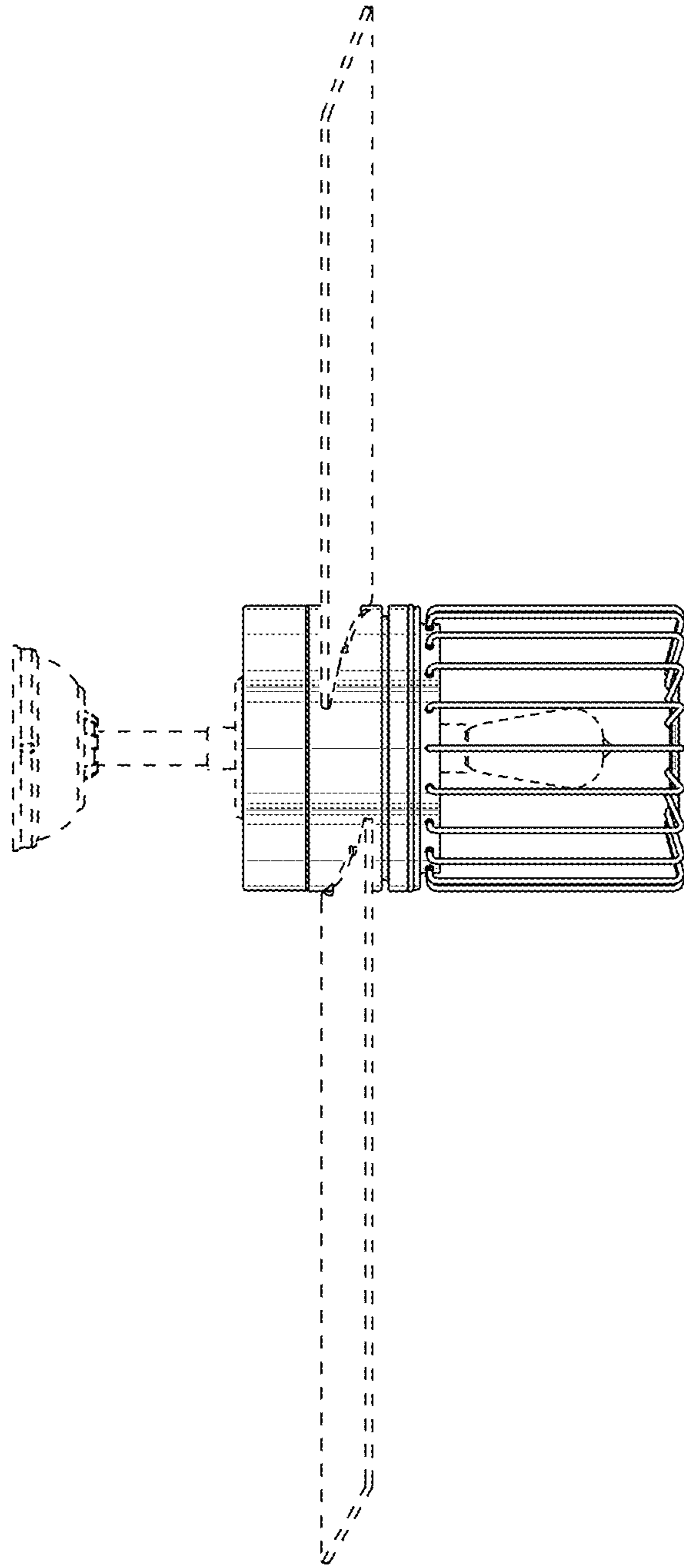


FIG. 8

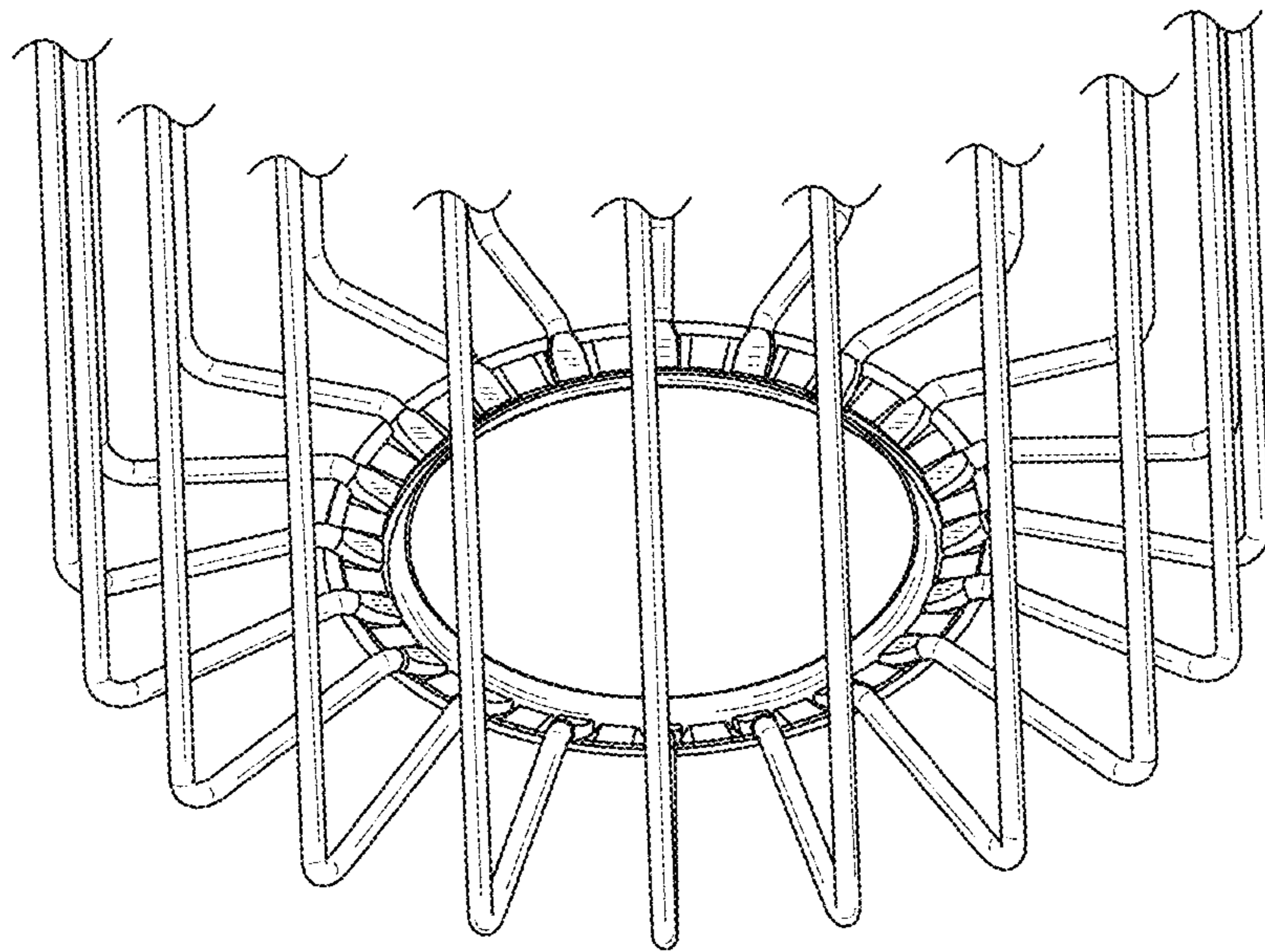


FIG. 9

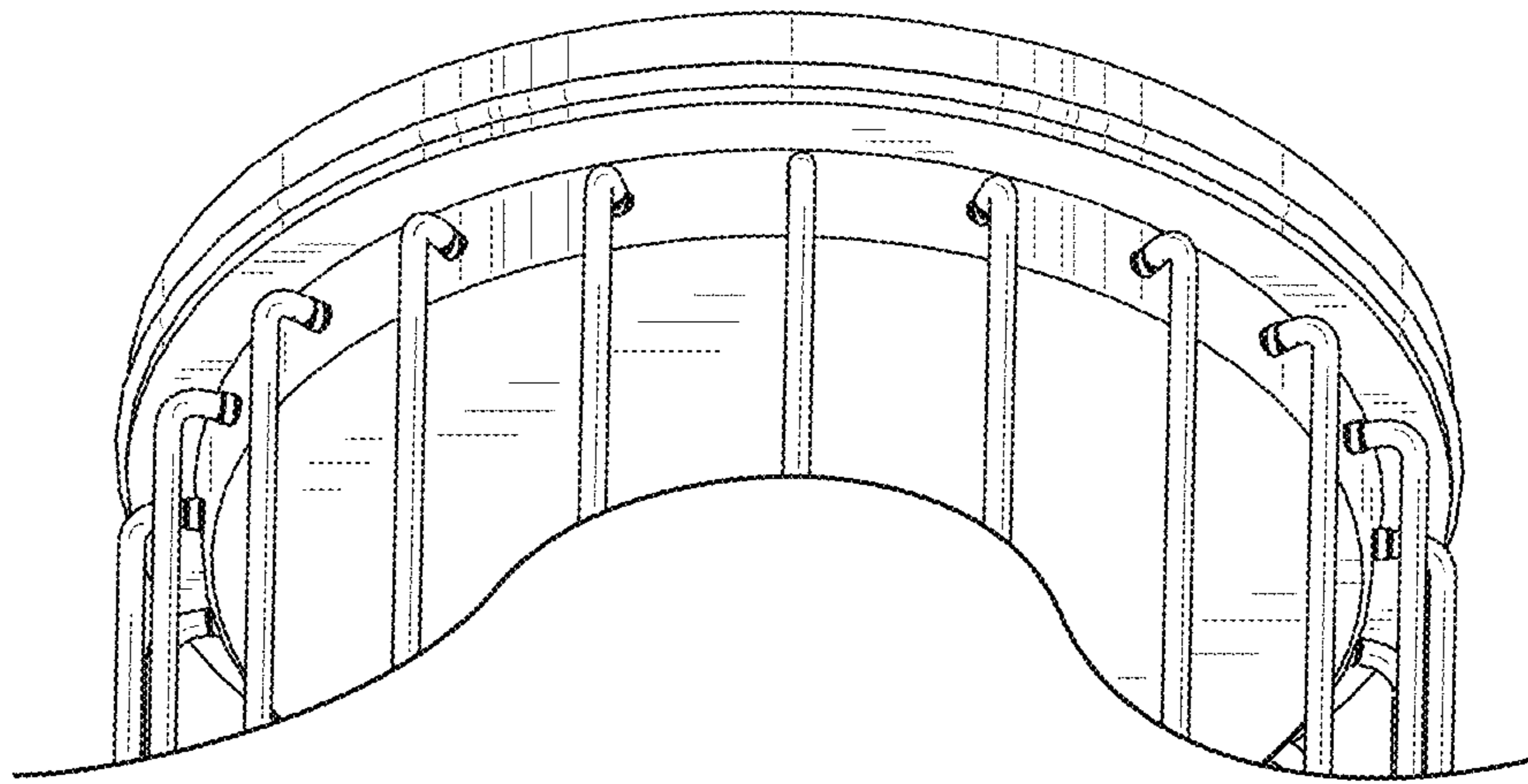


FIG. 10