



US00D805172S

(12) **United States Design Patent** (10) **Patent No.:** **US D805,172 S**
Nanda (45) **Date of Patent:** **** Dec. 12, 2017**

(54) **DIFFUSER**

(71) Applicant: **Healthland, LLC**, Brea, CA (US)

(72) Inventor: **Puneet Nanda**, Diamond Bar, CA (US)

(73) Assignee: **GURUNANDA, LLC**, Brea, CA (US)

(**) Term: **15 Years**

(21) Appl. No.: **29/578,600**

(22) Filed: **Sep. 22, 2016**

(51) **LOC (10) Cl.** **28-99**

(52) **U.S. Cl.**
USPC **D23/366**

(58) **Field of Classification Search**
USPC D23/300, 314, 325, 332-336, 342, 351,
D23/352, 355-369, 370, 386-388;
D14/168; D9/500, 503, 504, 679;
D7/300.1, 510, 658
CPC Y10T 428/1366; B32B 2597/00; A61M
25/0012; B01D 46/00; B01D 46/0004;
B01D 27/04
See application file for complete search history.

(56) **References Cited**

U.S. PATENT DOCUMENTS

D179,194 S *	11/1956	Flury	D23/362
D449,877 S *	10/2001	Delmenico	D23/356
D547,430 S *	7/2007	Low	D21/713
D599,897 S *	9/2009	Low	D23/364
D631,535 S *	1/2011	Togawa	D23/366
D685,896 S *	7/2013	Niedermann	D23/356
D696,763 S *	12/2013	Li	D23/366
D698,429 S *	1/2014	Jorgensen	D23/366
D701,296 S *	3/2014	Engelhardt	D23/360
D719,248 S *	12/2014	Smith, Jr.	D23/356

D729,370 S *	5/2015	Chou	D23/366
D758,557 S *	6/2016	Jih	D23/355
2015/0265107 A1*	9/2015	Buckalter	A47K 5/1211 222/63

OTHER PUBLICATIONS

(Round) Diffuser references found online [Jun. 27, 2017]—<http://www.mamalauras.com/home-diffusers.html>.*

* cited by examiner

Primary Examiner — Robert M Spear

Assistant Examiner — John Voytek

(57) **CLAIM**

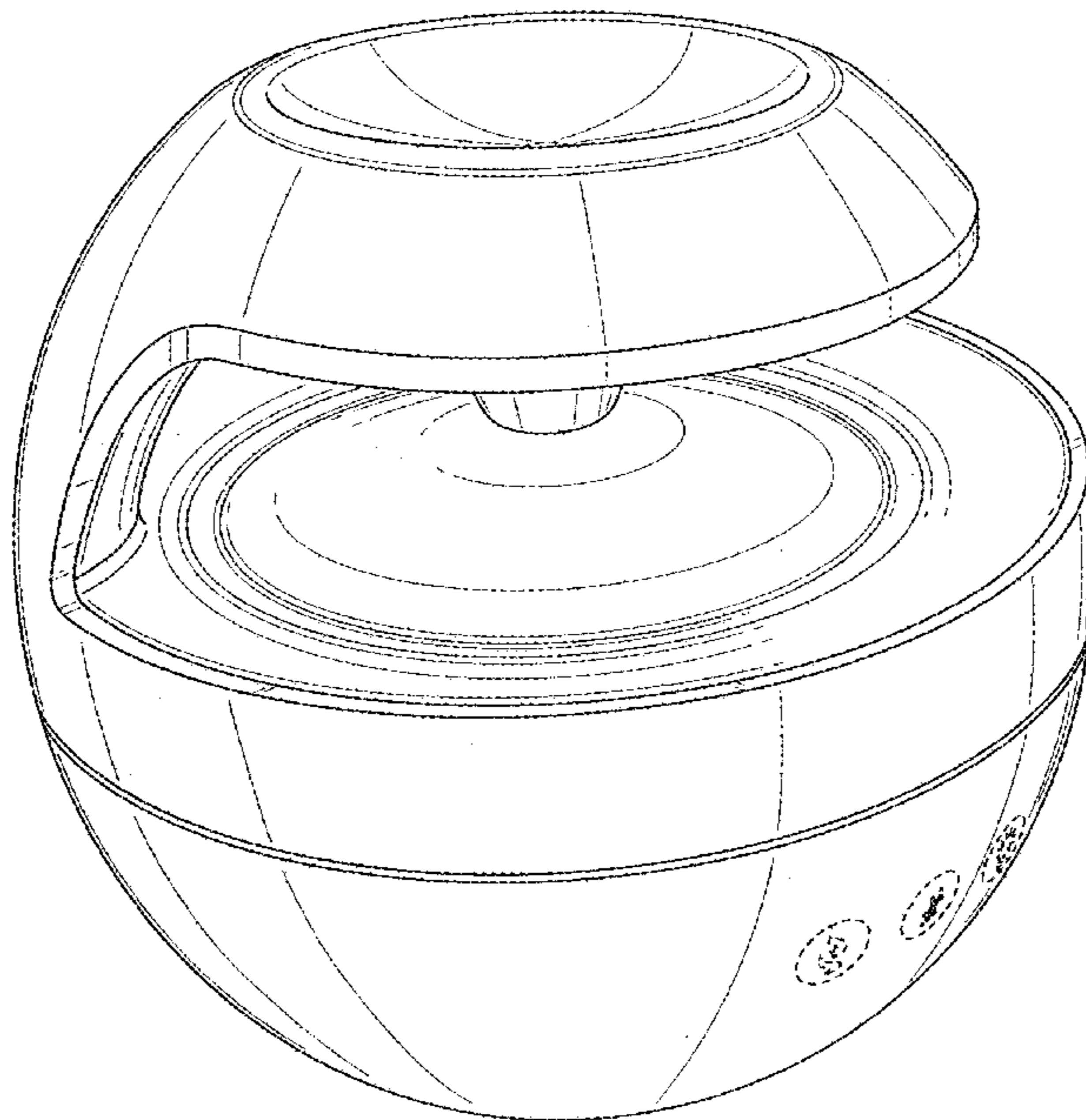
I claim the ornamental design for a diffuser, as shown and described.

DESCRIPTION

FIG. 1 is a front left top perspective view of the diffuser; FIG. 2 is a rear right top perspective view of the diffuser; FIG. 3 is a front right bottom perspective view of the diffuser; FIG. 4 is a front view of the diffuser; FIG. 5 is a rear view of the diffuser; FIG. 6 is a left side view of the diffuser; FIG. 7 is a right side view of the diffuser; FIG. 8 is a top view of the diffuser; and, FIG. 9 is a bottom view of the diffuser.

The broken lines in the FIGURES depict portions of the diffuser that form no part of the claimed design. The unshaded surfaces bounded by broken lines form no part of the claimed design.

1 Claim, 9 Drawing Sheets



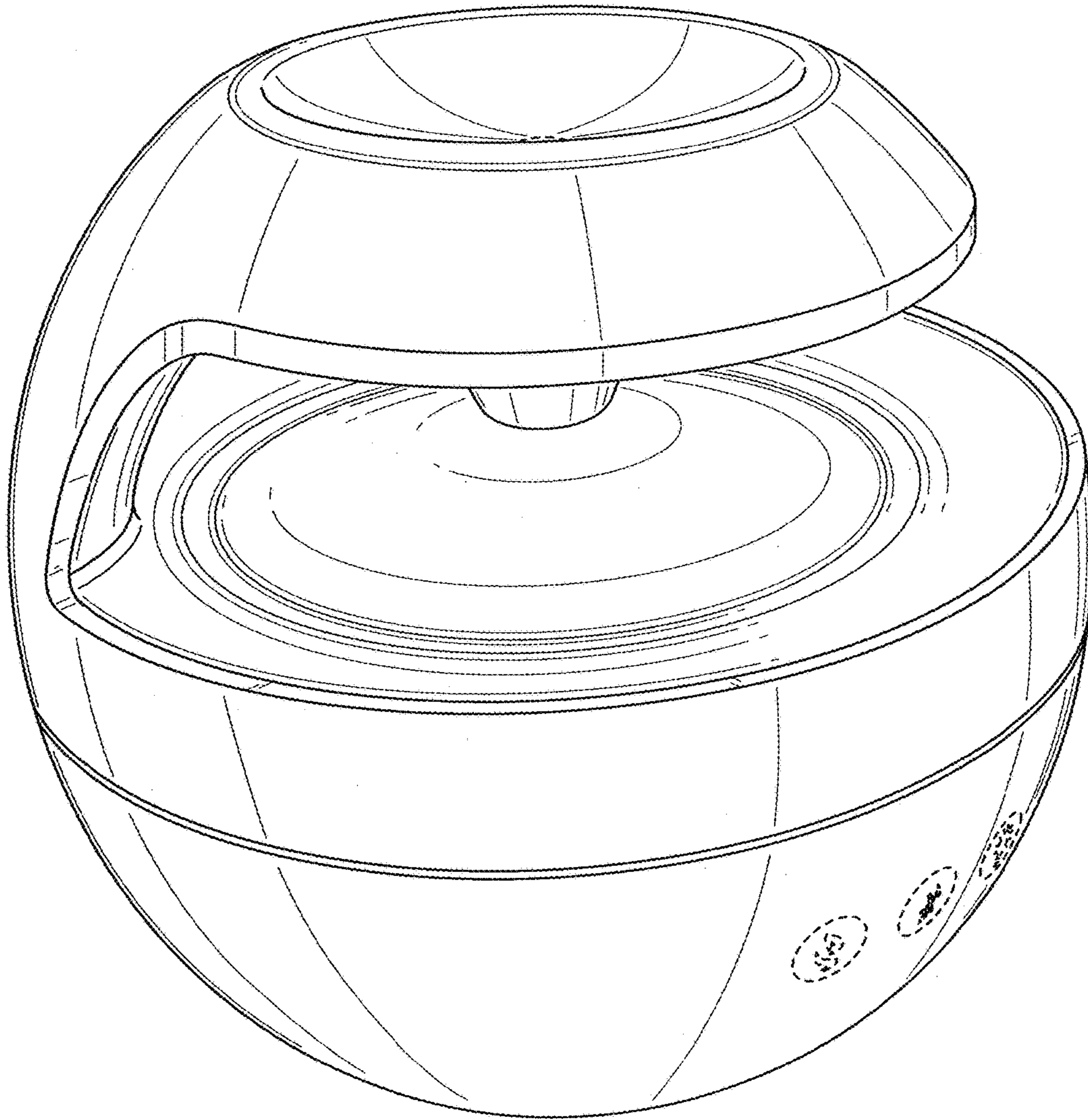


FIG. 1

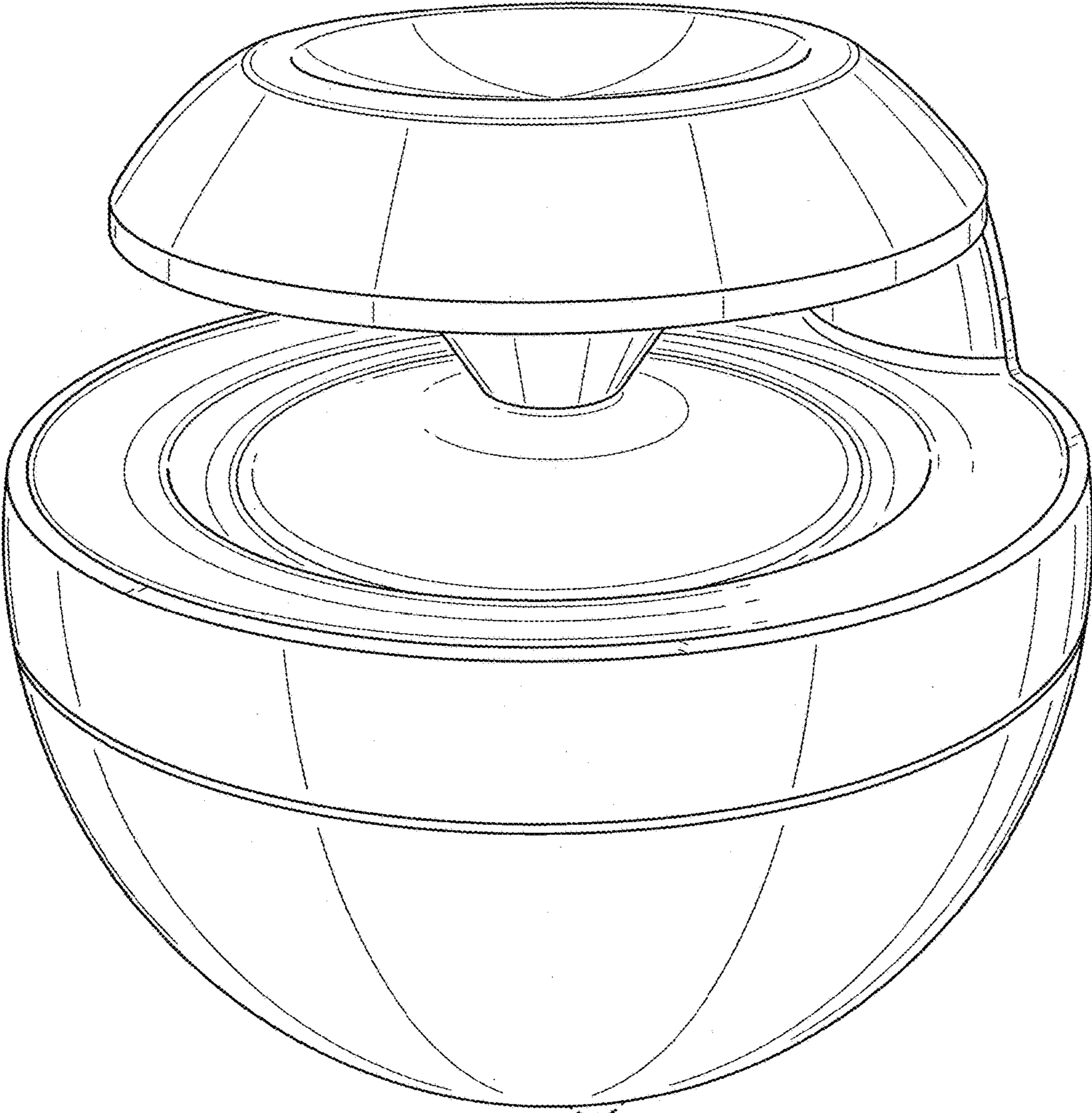


FIG. 2

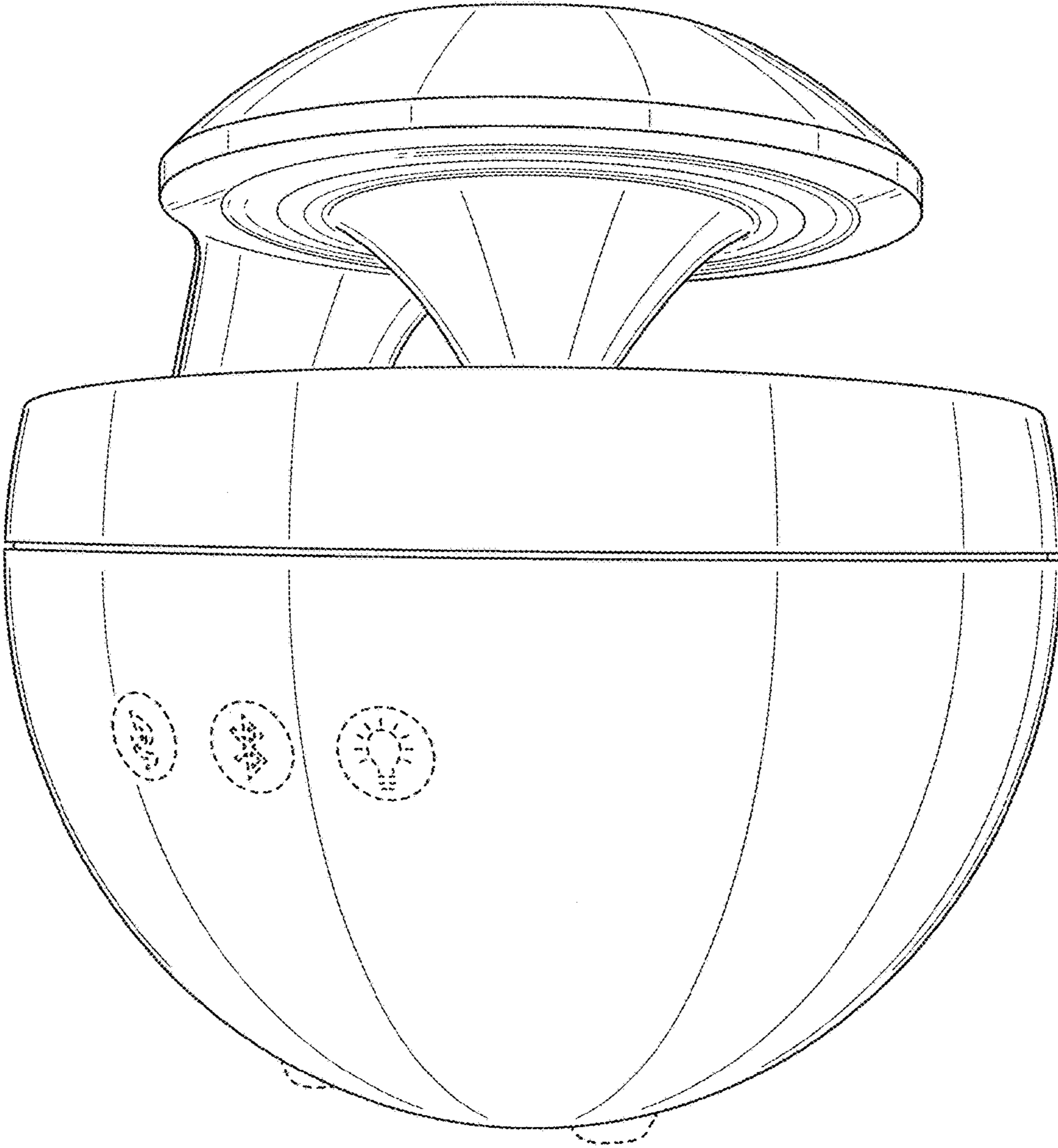


FIG. 3

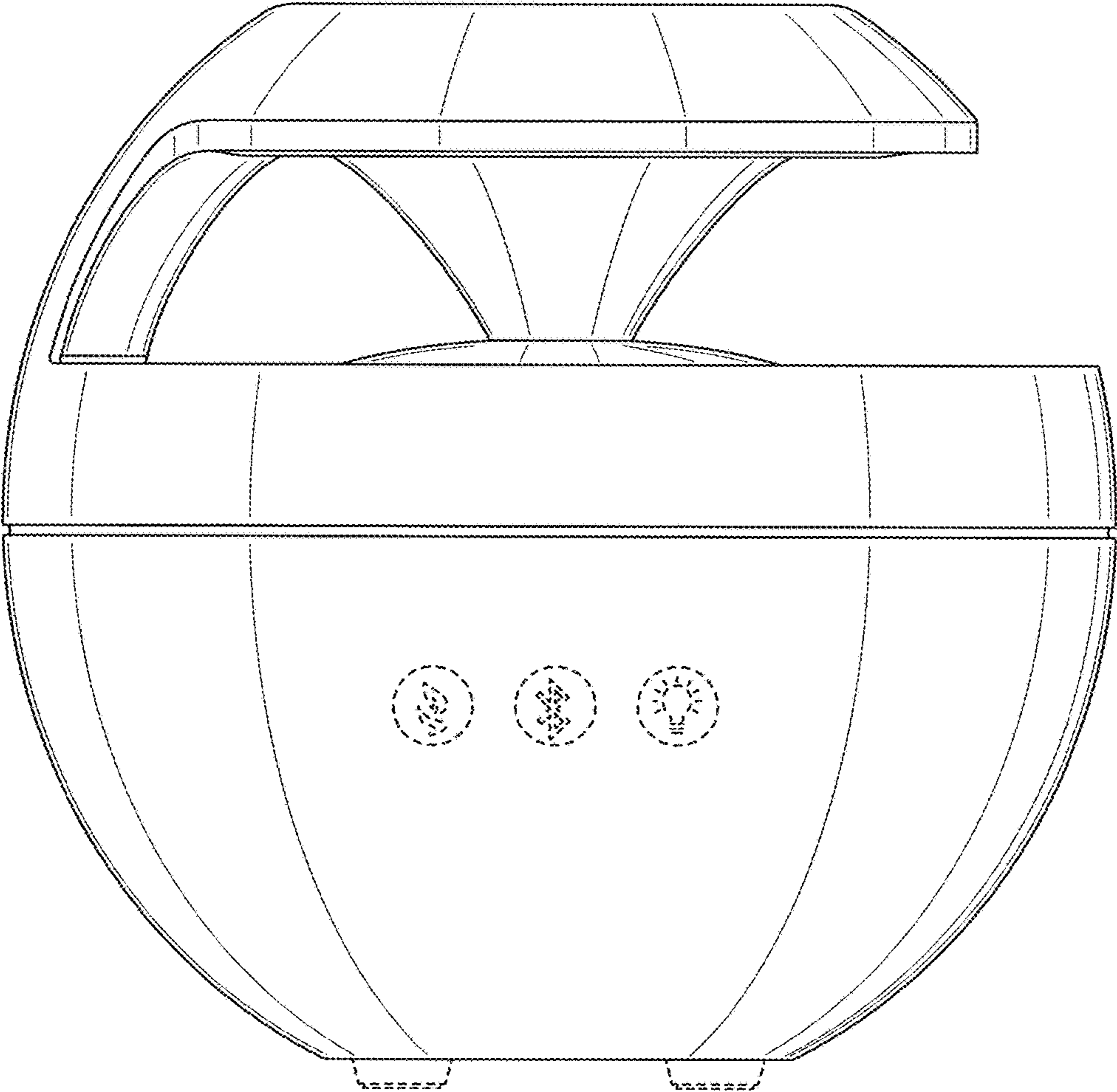


FIG. 4

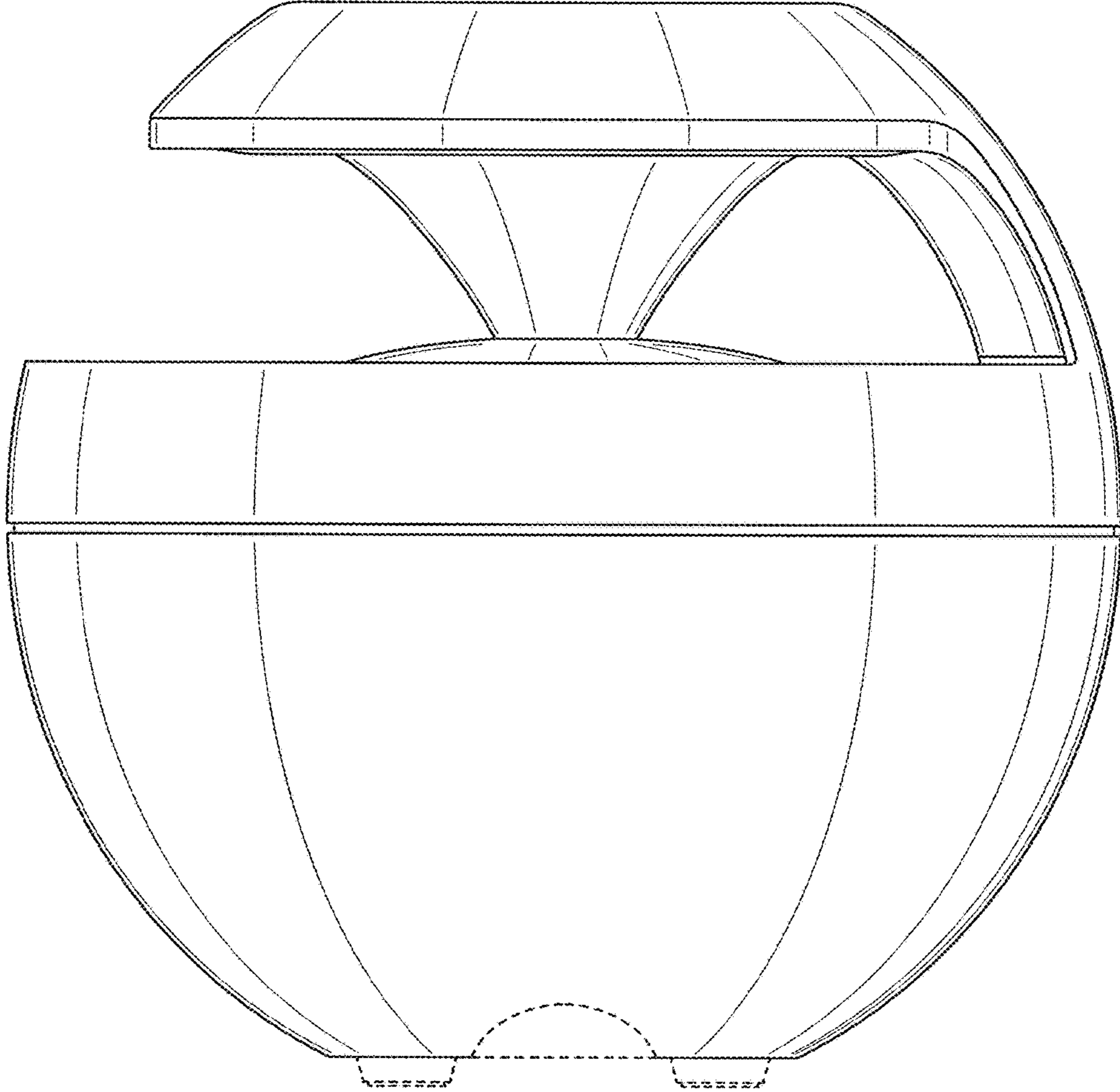


FIG. 5

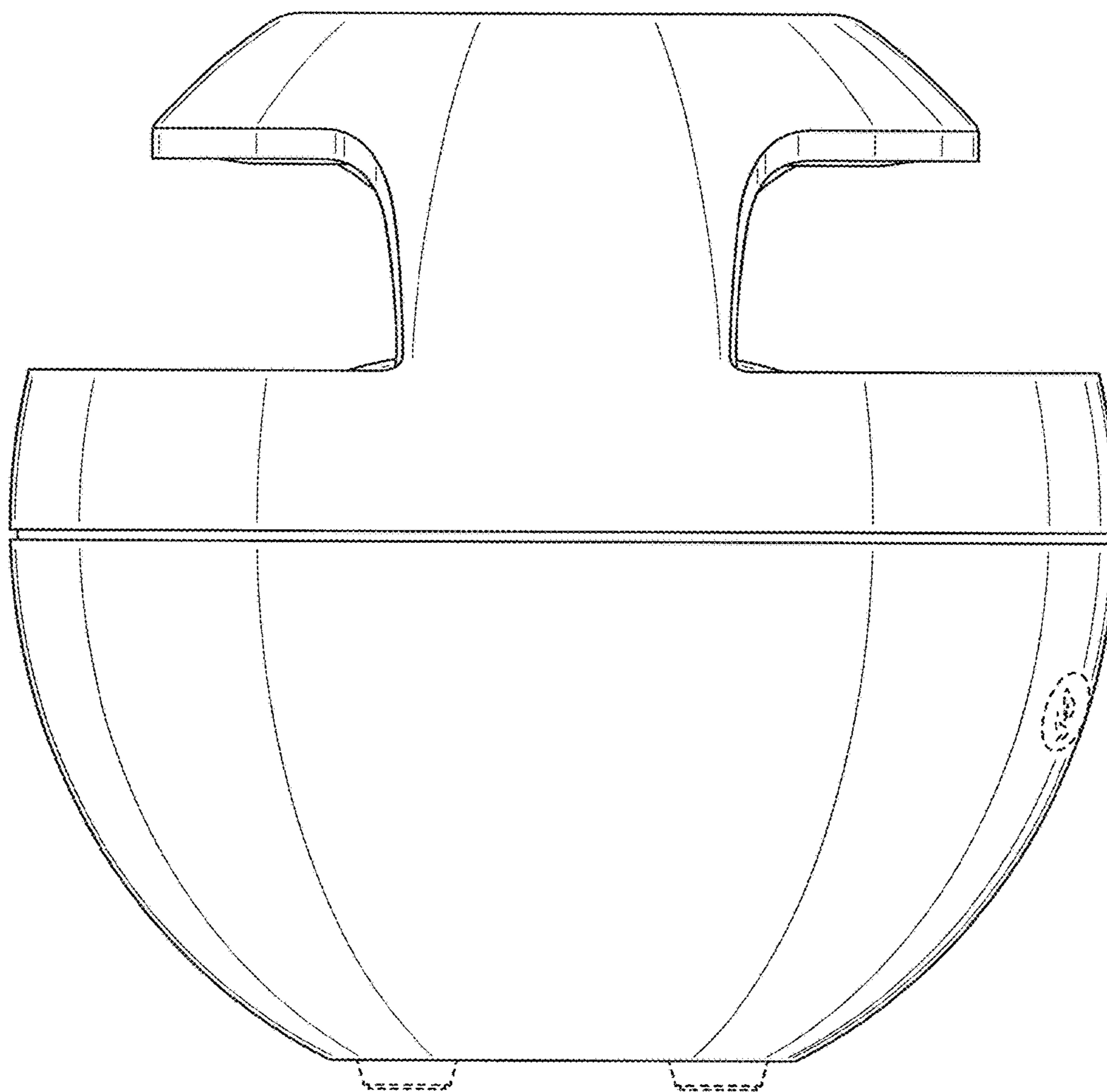


FIG. 6

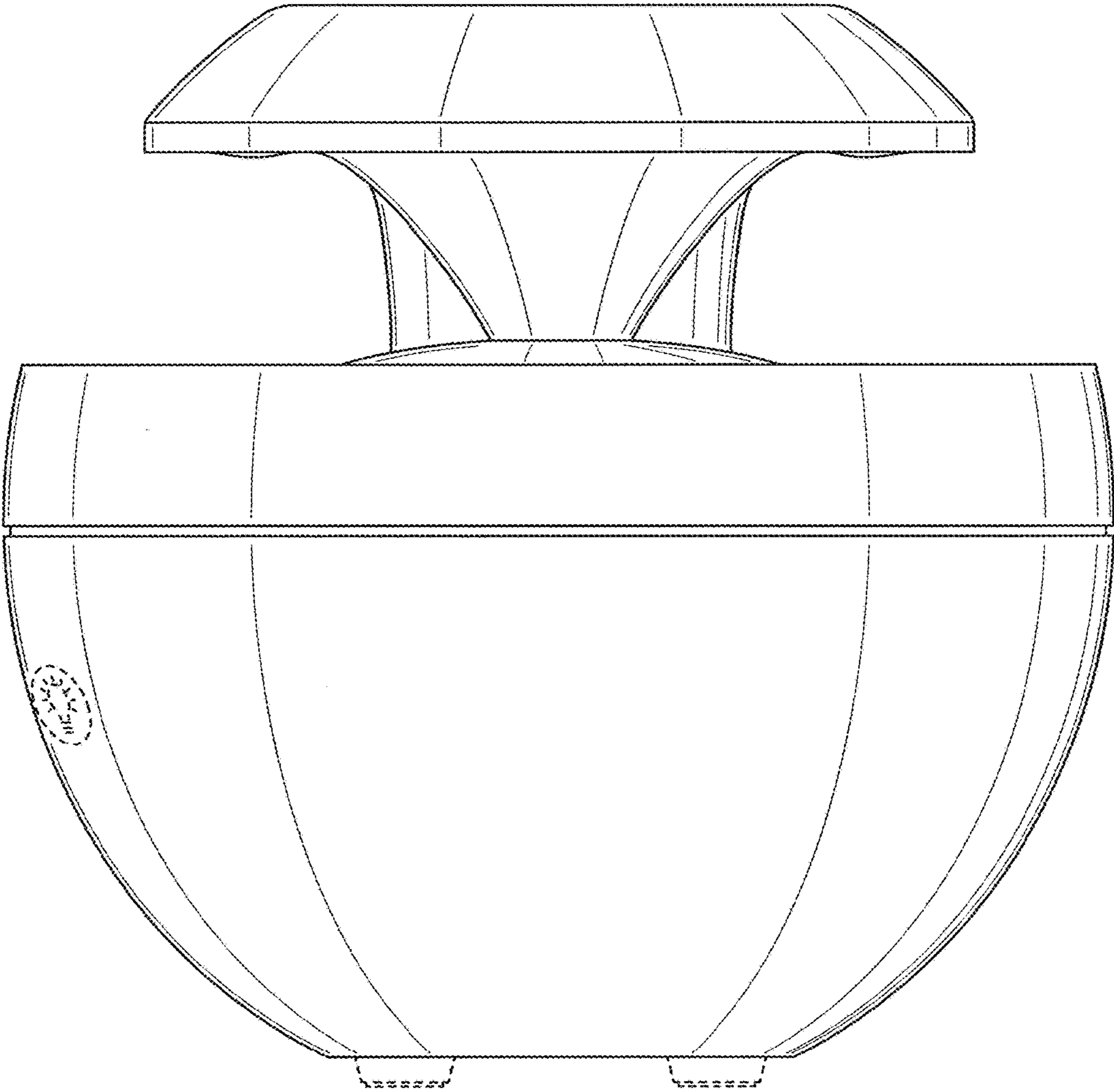


FIG. 7

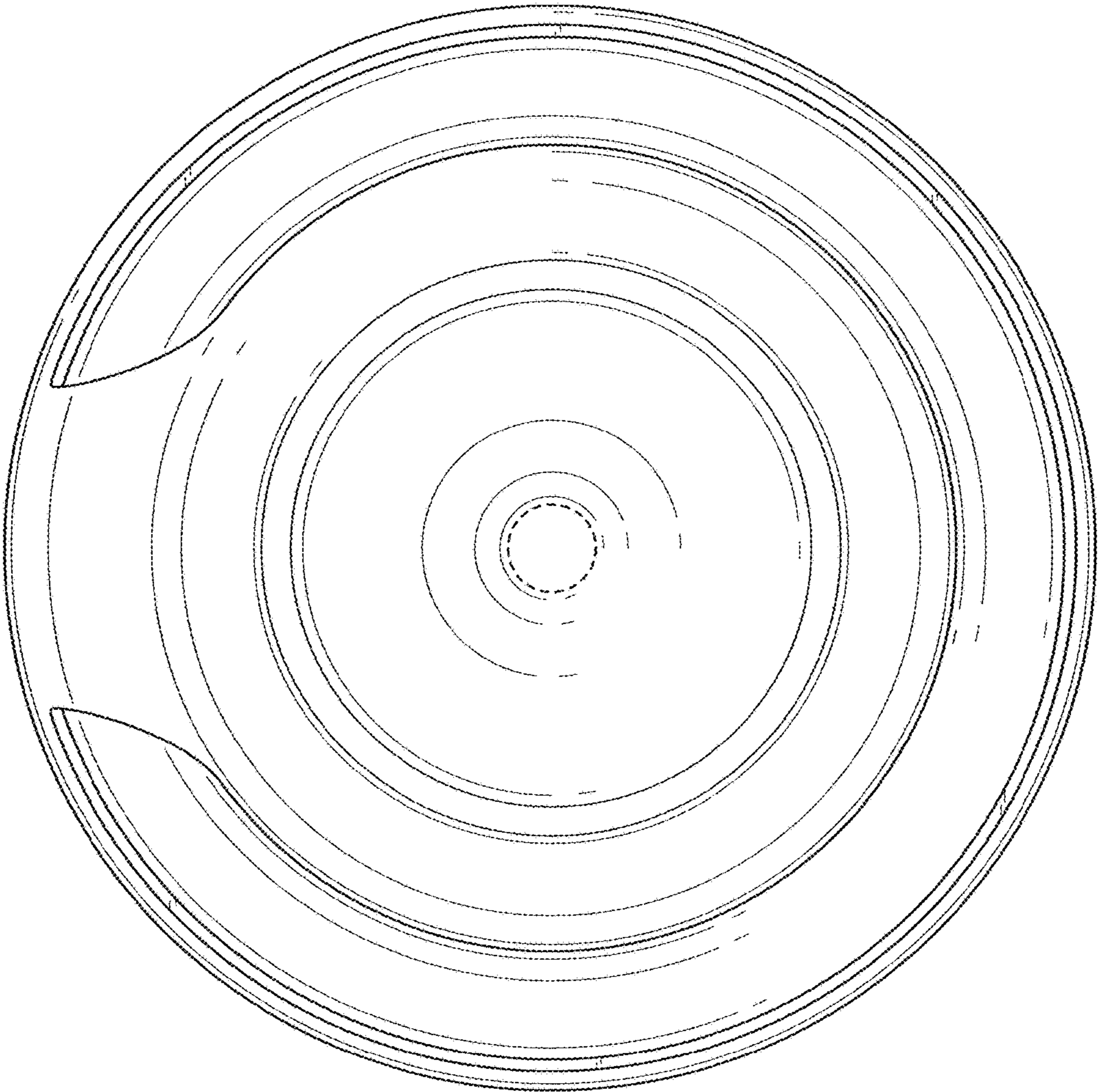


FIG. 8

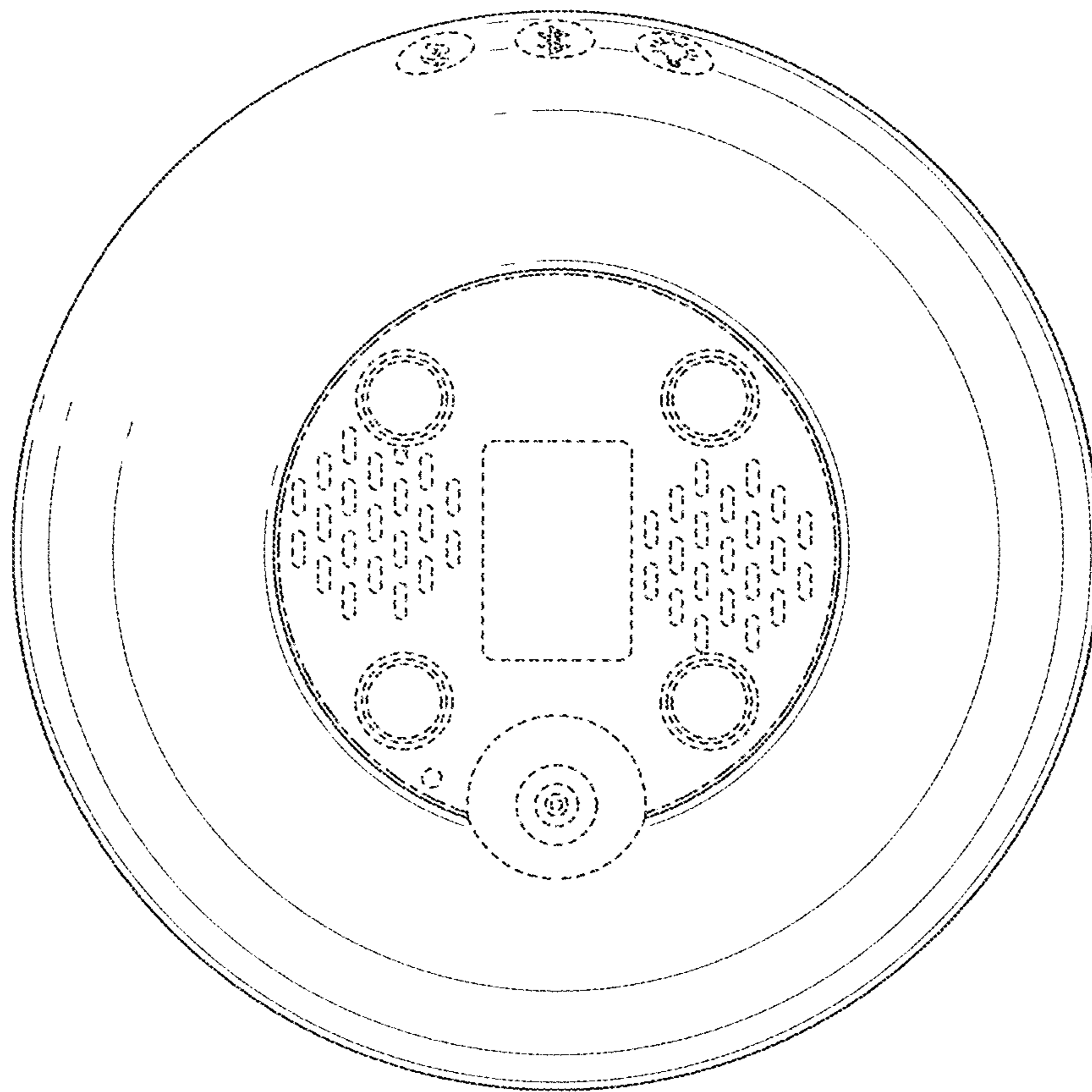


FIG. 9