



US00D805171S

(12) **United States Design Patent**  
**Hrydovyy**

(10) **Patent No.:** **US D805,171 S**

(45) **Date of Patent:** **\*\* Dec. 12, 2017**

- (54) **FIREPLACE** 6,601,579 B2 \* 8/2003 Fier ..... F24B 1/18  
126/510
- (71) Applicant: **IGNIS DEVELOPMENT INC.**, New Brunswick, NJ (US) D561,317 S \* 2/2008 Ou ..... D23/344  
D574,071 S \* 7/2008 Dabrowski ..... D23/344  
7,726,299 B2 \* 6/2010 Reyher ..... F24B 1/1808  
126/512
- (72) Inventor: **Vasyl Hrydovyy**, New Brunswick, NJ (US) 7,806,345 B2 \* 10/2010 Tsunekawa ..... F24B 1/1808  
126/500
- (73) Assignee: **IGNIS DEVELOPMENT INC.**, New Brunswick, NJ (US) D631,533 S \* 1/2011 Gallo ..... D23/343  
D631,953 S \* 2/2011 Backes ..... D23/343  
8,235,033 B2 \* 8/2012 Gallo ..... F24B 1/18  
126/500
- (\*\*) Term: **15 Years** 8,434,470 B2 \* 5/2013 Jensen ..... F24C 5/00  
126/512
- (21) Appl. No.: **29/550,791** D691,251 S \* 10/2013 Couture ..... D23/342  
D718,851 S \* 12/2014 Blouin ..... D23/343

\* cited by examiner

*Primary Examiner* — David G Muller

**Related U.S. Application Data**

(63) Continuation-in-part of application No. 29/469,488, filed on Oct. 10, 2013, now abandoned.

(51) **LOC (10) Cl.** ..... **23-03**

(52) **U.S. Cl.**  
USPC ..... **D23/343**

(58) **Field of Classification Search**  
USPC ..... D23/342–345, 350, 404, 398; 126/500,  
126/25 R, 37 B, 41 R, 50, 506, 512, 513,  
126/543, 305, 306; 431/125, 126, 253  
CPC ..... F24B 1/18; F24B 1/1802; F24B 1/1804;  
F24B 1/1806; F24B 1/1808; F24B 1/181;  
F24B 1/182; F24B 1/183; F24B 1/185;  
F24B 1/198

See application file for complete search history.

(56) **References Cited**

**U.S. PATENT DOCUMENTS**

- 5,399,084 A \* 3/1995 McCullough ..... F24C 3/006  
126/512
- 5,482,028 A \* 1/1996 Binzer ..... F24B 1/1808  
126/512

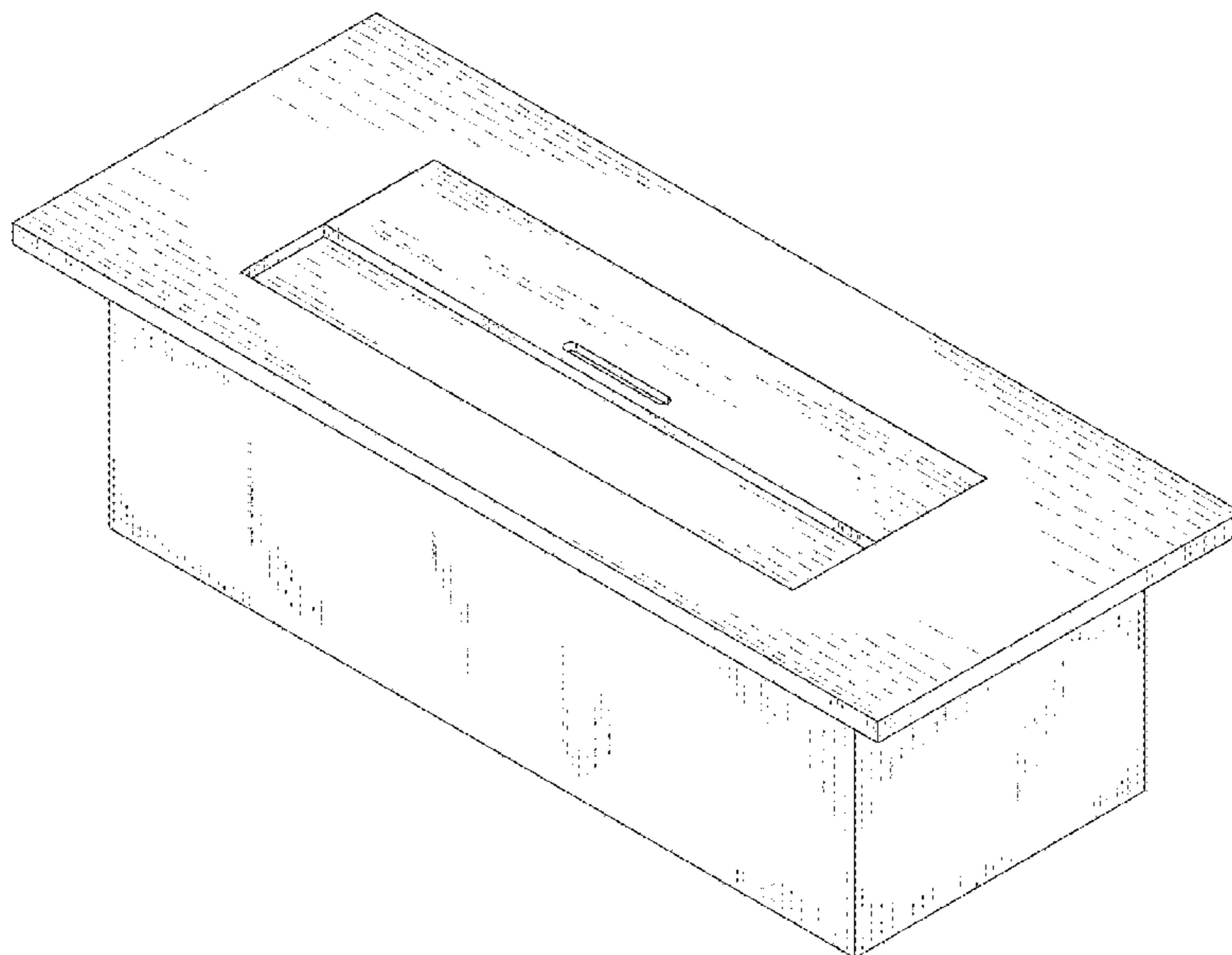
(57) **CLAIM**

The ornamental design for a fireplace, as shown and described.

**DESCRIPTION**

FIG. 1 is a perspective view of a fireplace;  
FIG. 2 is a front view thereof;  
FIG. 3 is a rear view thereof;  
FIG. 4 is a right view thereof;  
FIG. 5 is a left view thereof;  
FIG. 6 is a top view thereof; and,  
FIG. 7 is a bottom view thereof.

**1 Claim, 7 Drawing Sheets**



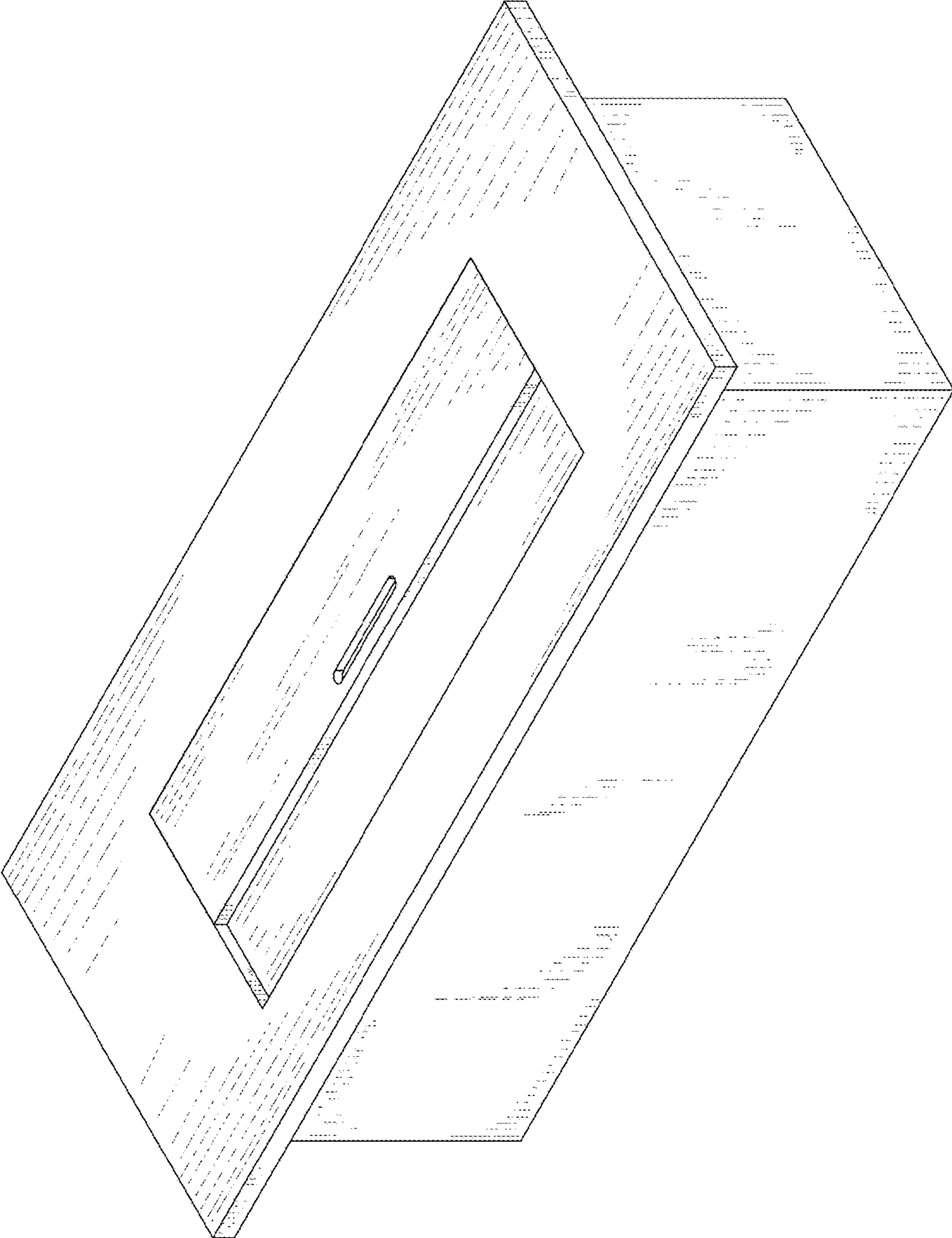


FIG. 1

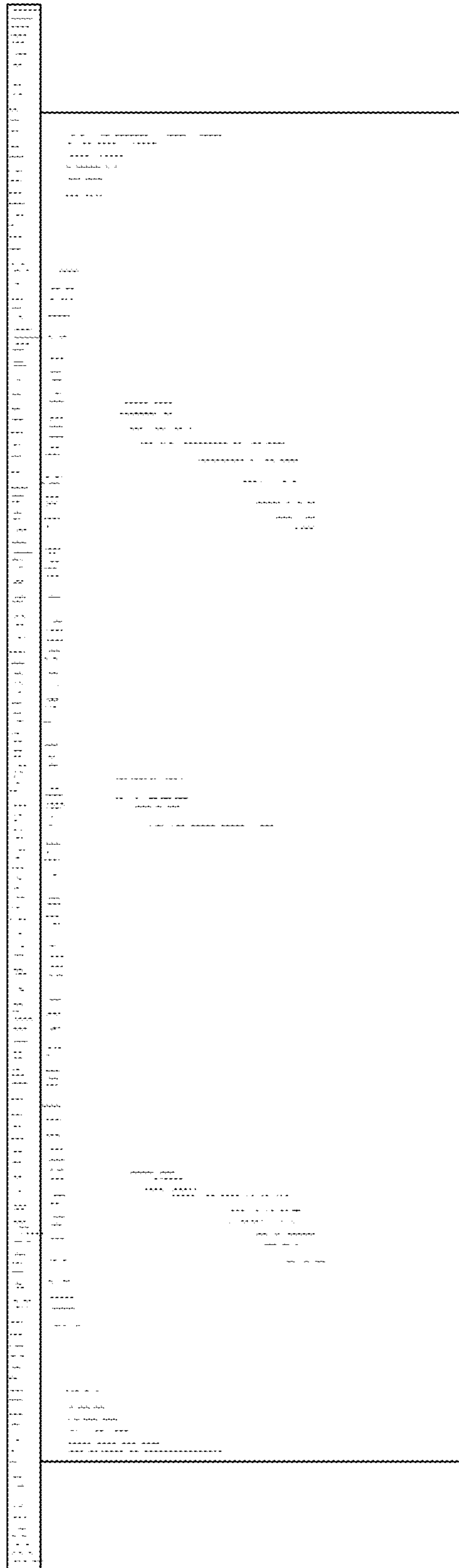


FIG. 2

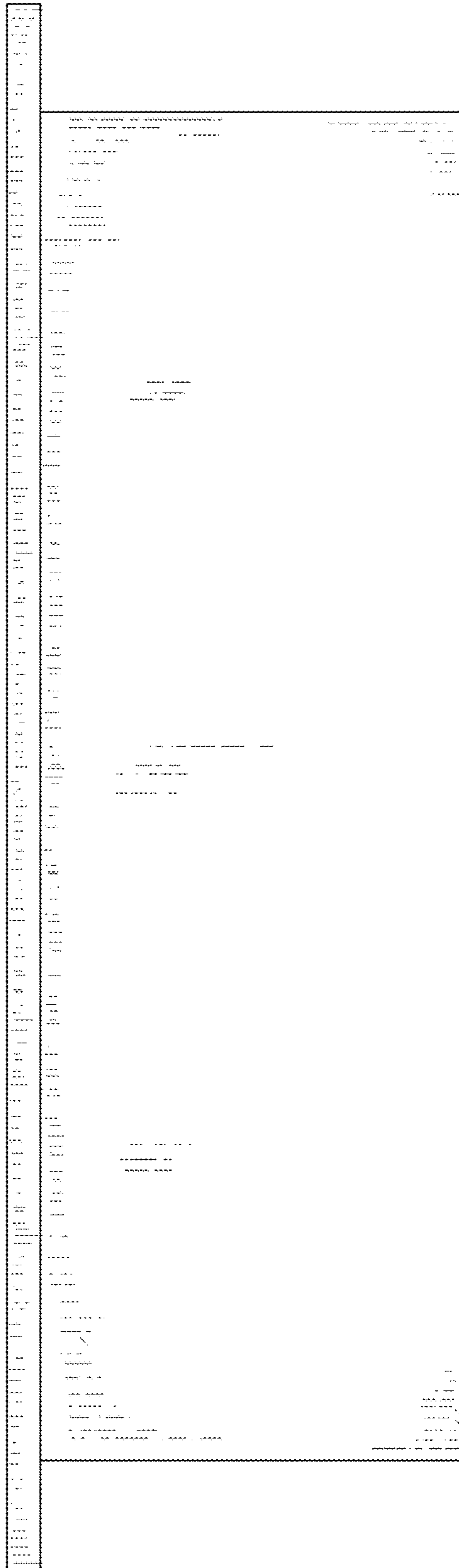


FIG. 3

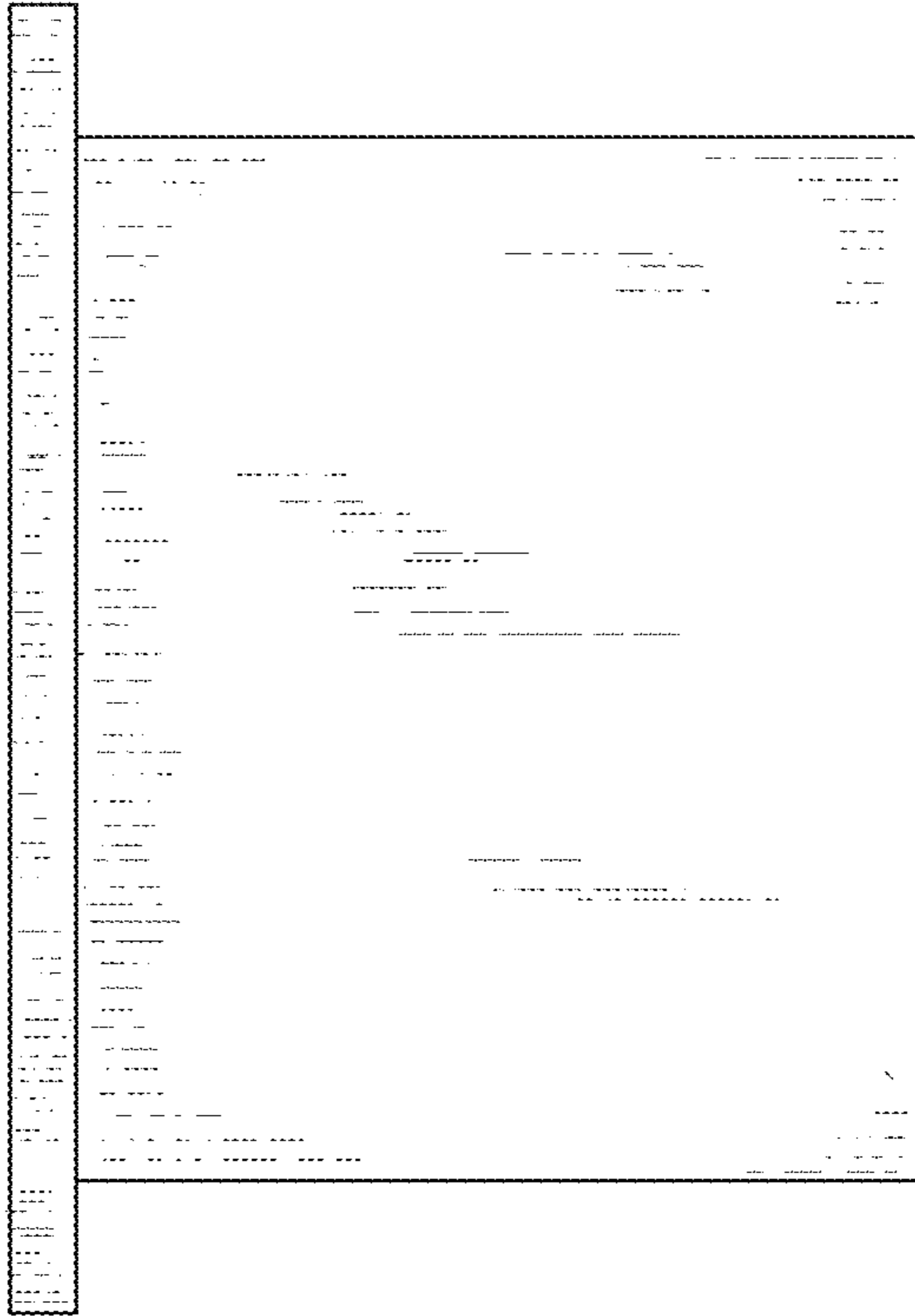


FIG. 4

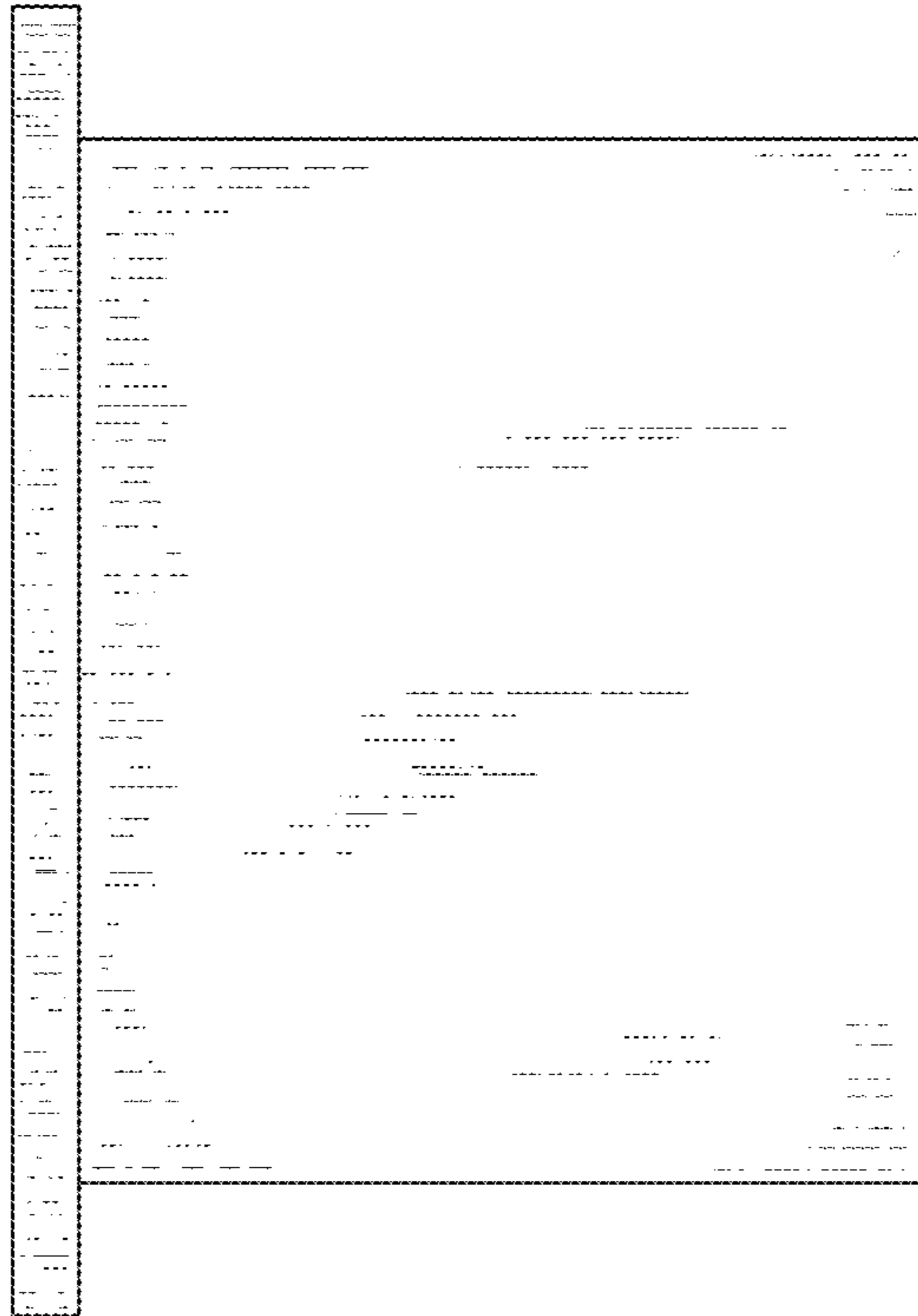


FIG. 5

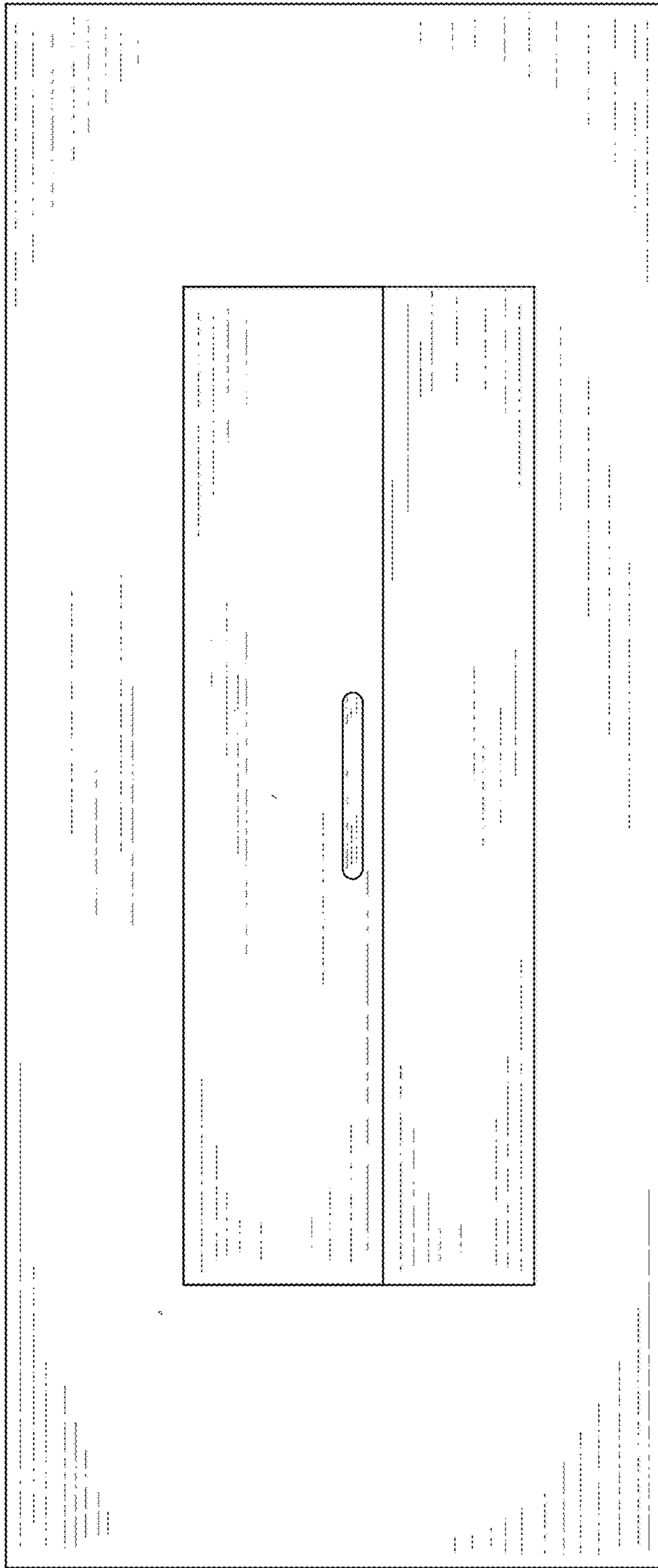


FIG. 6

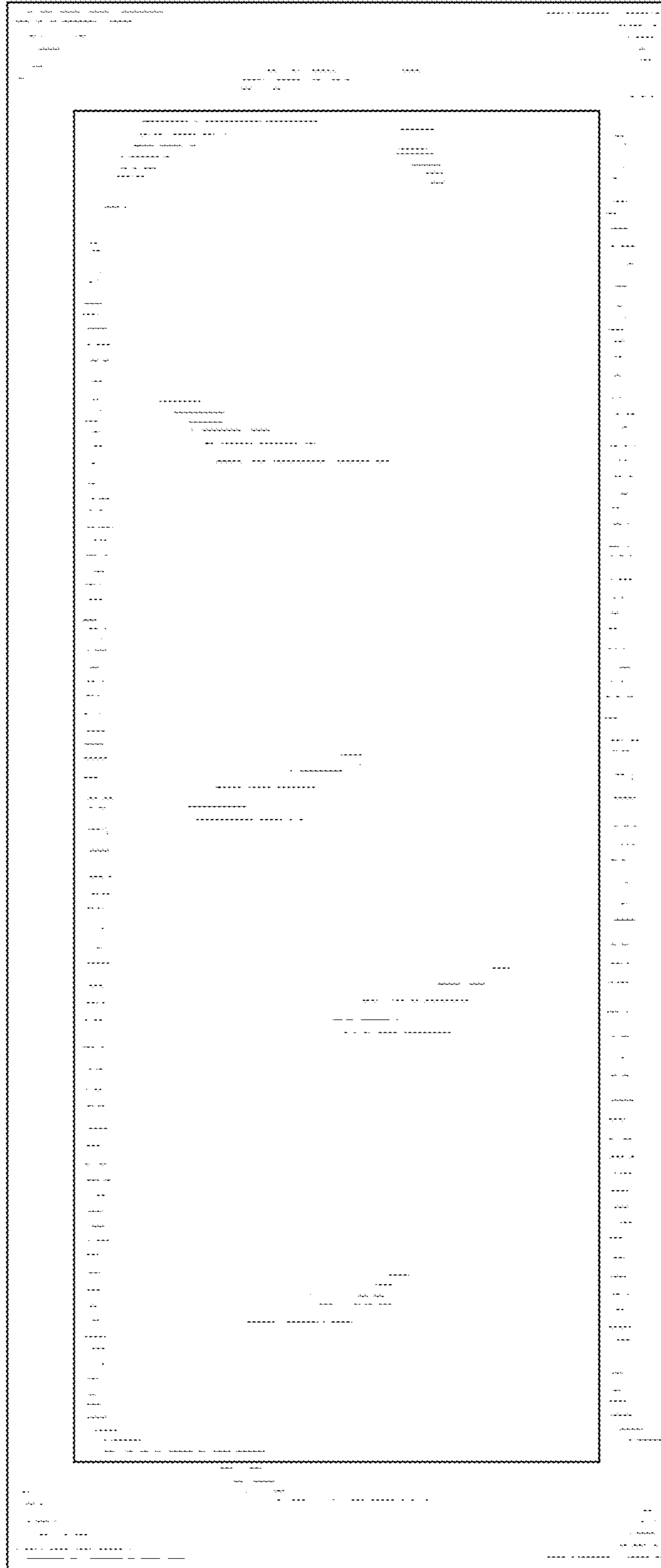


FIG. 7