



US00D805169S

(12) **United States Design Patent** (10) **Patent No.:** **US D805,169 S**
Stevenson et al. (45) **Date of Patent:** **** Dec. 12, 2017**

(54) **VANITY**

(71) Applicant: **Kohler Mira Limited**, Gloucestershire (GB)

(72) Inventors: **Robert K. Stevenson**, London (GB);
Alexander M. Muspratt-Williams, London (GB); **Mimi Jiang**, Shanghai (CN)

(73) Assignee: **KOHLER MIRA LIMITED** (GB)

(**) Term: **15 Years**

(21) Appl. No.: **29/566,502**

(22) Filed: **May 31, 2016**

(51) **LOC (10) Cl.** **23-01**

(52) **U.S. Cl.**
USPC **D23/293.1**

(58) **Field of Classification Search**
USPC D23/284–293.1, 294, 303, 308
CPC A47K 1/04; A47B 77/06; A47J 47/20
See application file for complete search history.

(56) **References Cited**

U.S. PATENT DOCUMENTS

D274,642 S	7/1984	Doman
D292,732 S	11/1987	Gates et al.
D293,930 S	1/1988	Reid
D295,669 S	5/1988	Kolada
D295,670 S	5/1988	Reid et al.
D328,338 S	7/1992	Ragonot
D387,857 S	12/1997	McKeone
D391,353 S	2/1998	McKeone
D407,470 S	3/1999	McKeone
D415,261 S	10/1999	Thomas

(Continued)

Primary Examiner — Robert M Spear
Assistant Examiner — John Voytek

(74) *Attorney, Agent, or Firm* — Foley & Lardner LLP

(57) **CLAIM**

We claim the ornamental design for a vanity, as shown and described.

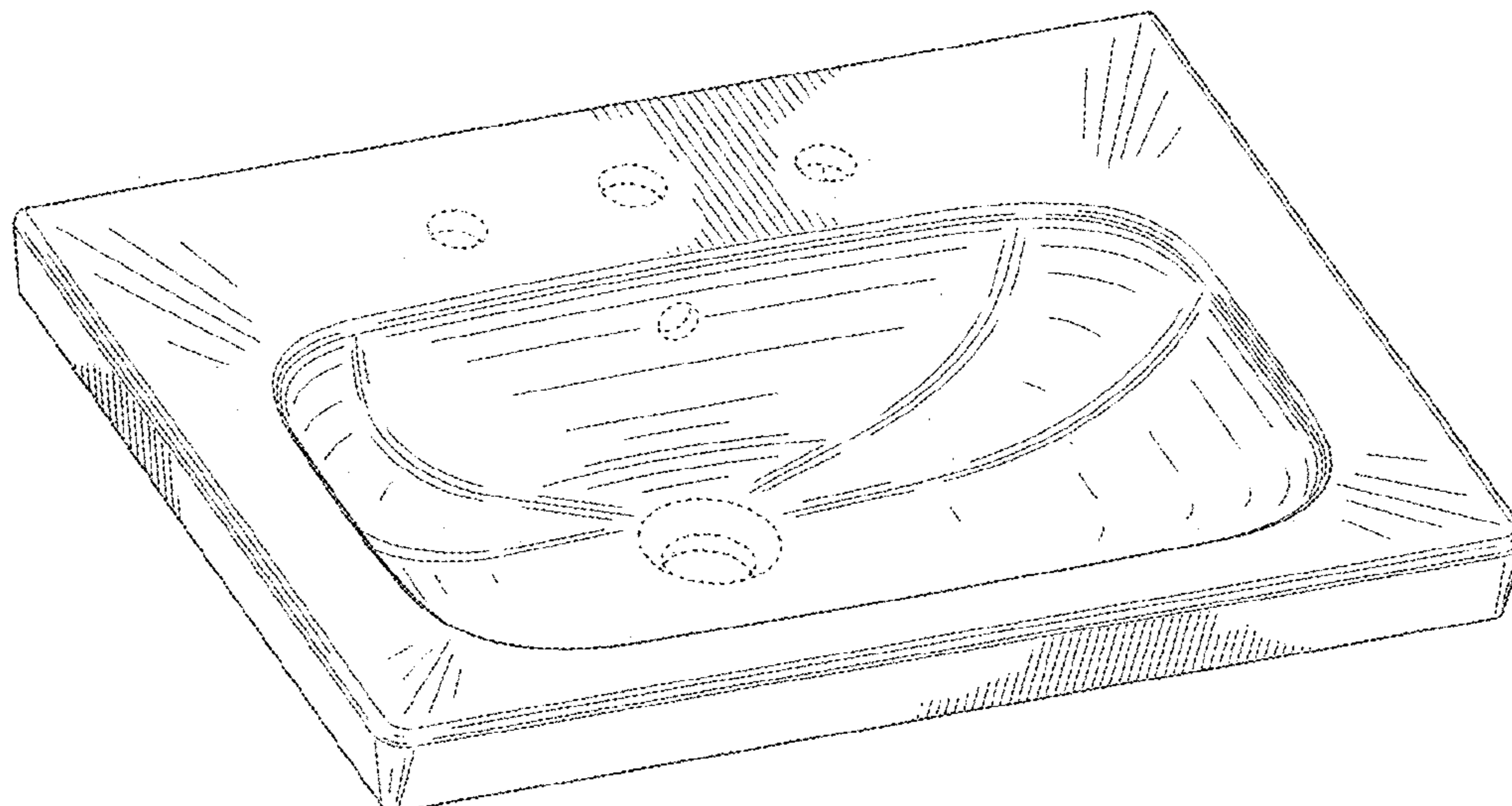
DESCRIPTION

FIG. 1 is a perspective view of an embodiment of the claimed design;
FIG. 2 is a front view of the embodiment of FIG. 1;
FIG. 3 is a rear view of the embodiment of FIG. 1;
FIG. 4 is a top view of the embodiment of FIG. 1;
FIG. 5 is a bottom view of the embodiment of FIG. 1;
FIG. 6 is a side view of the embodiment of FIG. 1;
FIG. 7 is another side view of the embodiment of FIG. 1;
FIG. 8 is a cross-sectional view taken along line 8-8 in FIG. 4; and,
FIG. 9 is a cross-sectional view taken along line 9-9 in FIG. 4.

The ornamental design which is claimed is shown in solid lines in the drawings. The broken lines in the drawings form no part of the claimed design. Broken lines formed by equal length dashes show unclaimed subject matter. Broken lines formed of unequal length dashes (i.e., dash-dot) define bounds of the claimed design.

While the accompanying drawings illustrate one or more exemplary embodiments, it should be understood that according to other exemplary embodiments that should be considered to be within the possession of the inventors of the present application at the time this application is being filed, it is contemplated that any illustrated solid lines (or portions thereof) may be converted to broken lines and that any illustrated broken lines (or portions thereof) may be converted to solid lines so as to claim or disclaim portions, components, or sub-components of the designs shown, and that any illustrated solid lines (or portions thereof) and broken lines (or any portions thereof) from a single depicted embodiment may be combined with those of another depicted embodiment. It is further contemplated that shading may be added or removed to claim or disclaim the corresponding surfaces.

1 Claim, 8 Drawing Sheets



(56)

References Cited

U.S. PATENT DOCUMENTS

D422,347 S * 4/2000 Kawamura D23/292
D434,124 S 11/2000 McKeone
D499,797 S 12/2004 Bates
D504,170 S 4/2005 Kergoet
D507,334 S * 7/2005 Ferrer Beltran D23/293.1
D509,574 S 9/2005 Sutopo
D509,887 S 9/2005 Sutopo
D538,410 S 3/2007 Chensesseau
D588,239 S 3/2009 Slothower
D598,990 S * 8/2009 Durringer D23/284
D599,448 S 9/2009 Durringer et al.
D632,766 S * 2/2011 Matsuura D23/284
D634,410 S * 3/2011 Palomba D23/284
D634,827 S * 3/2011 Tanus D23/308
D636,855 S * 4/2011 Thomas D23/293.1
D645,125 S * 9/2011 Palomba D23/284
D659,811 S * 5/2012 Licini D23/293.1
D713,513 S * 9/2014 Chen D23/284

* cited by examiner

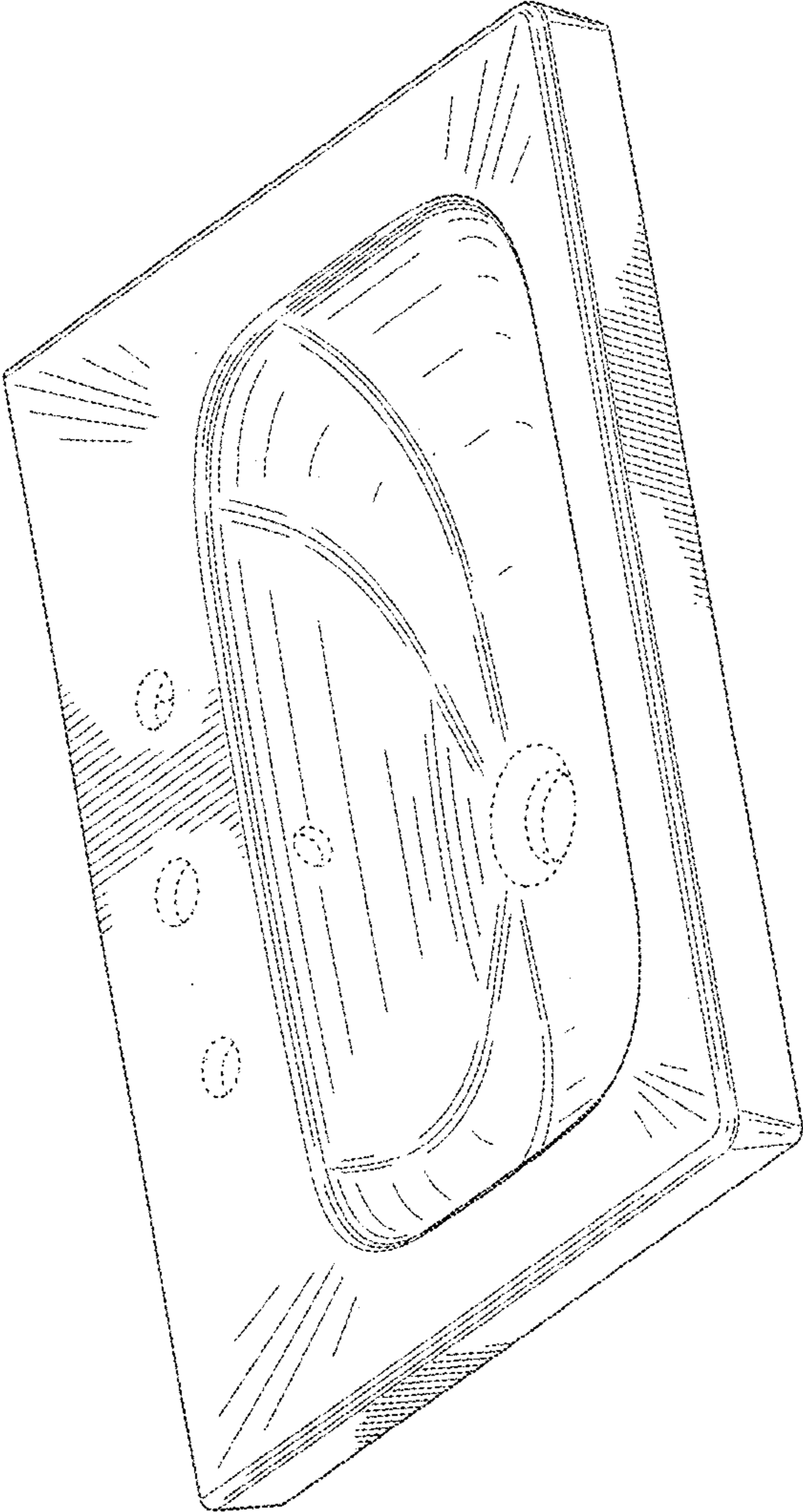


FIG. 1

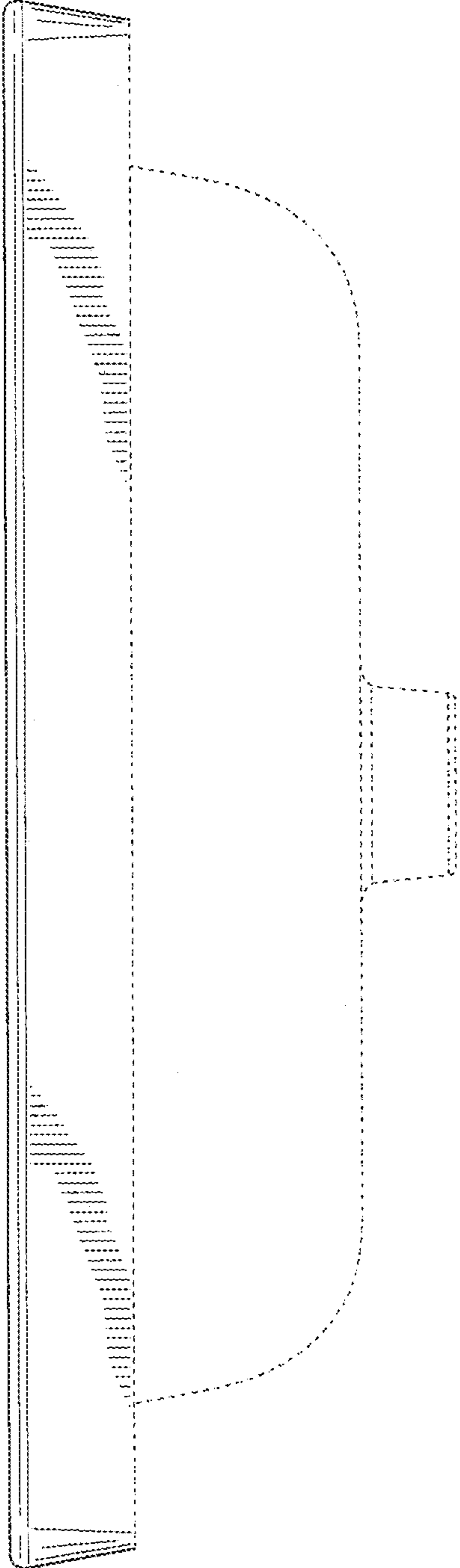


FIG. 2

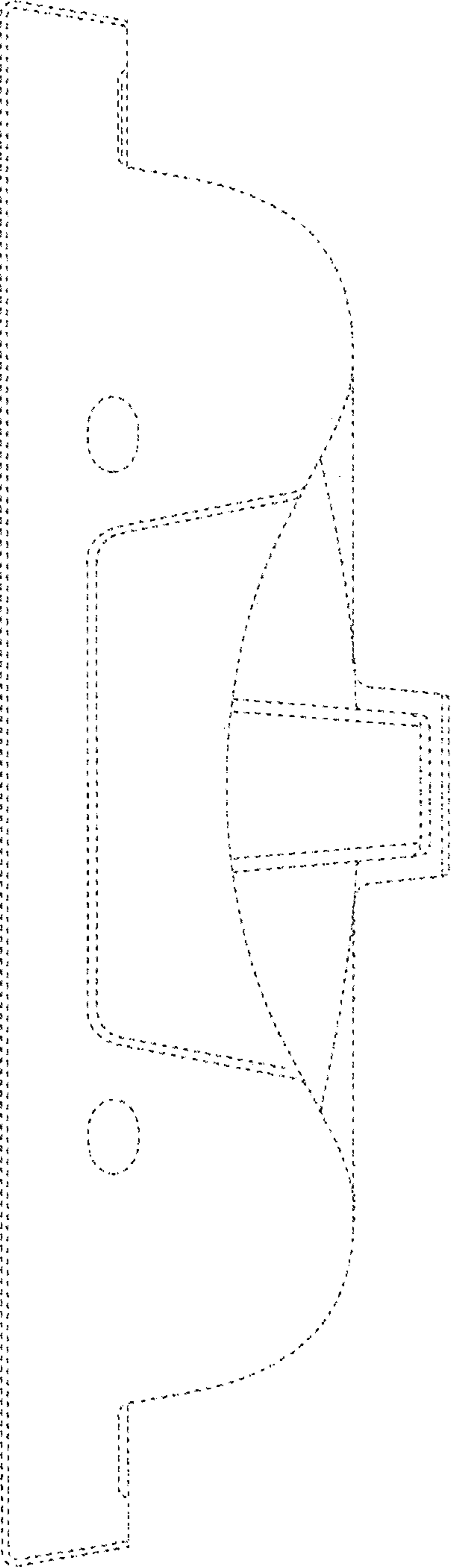
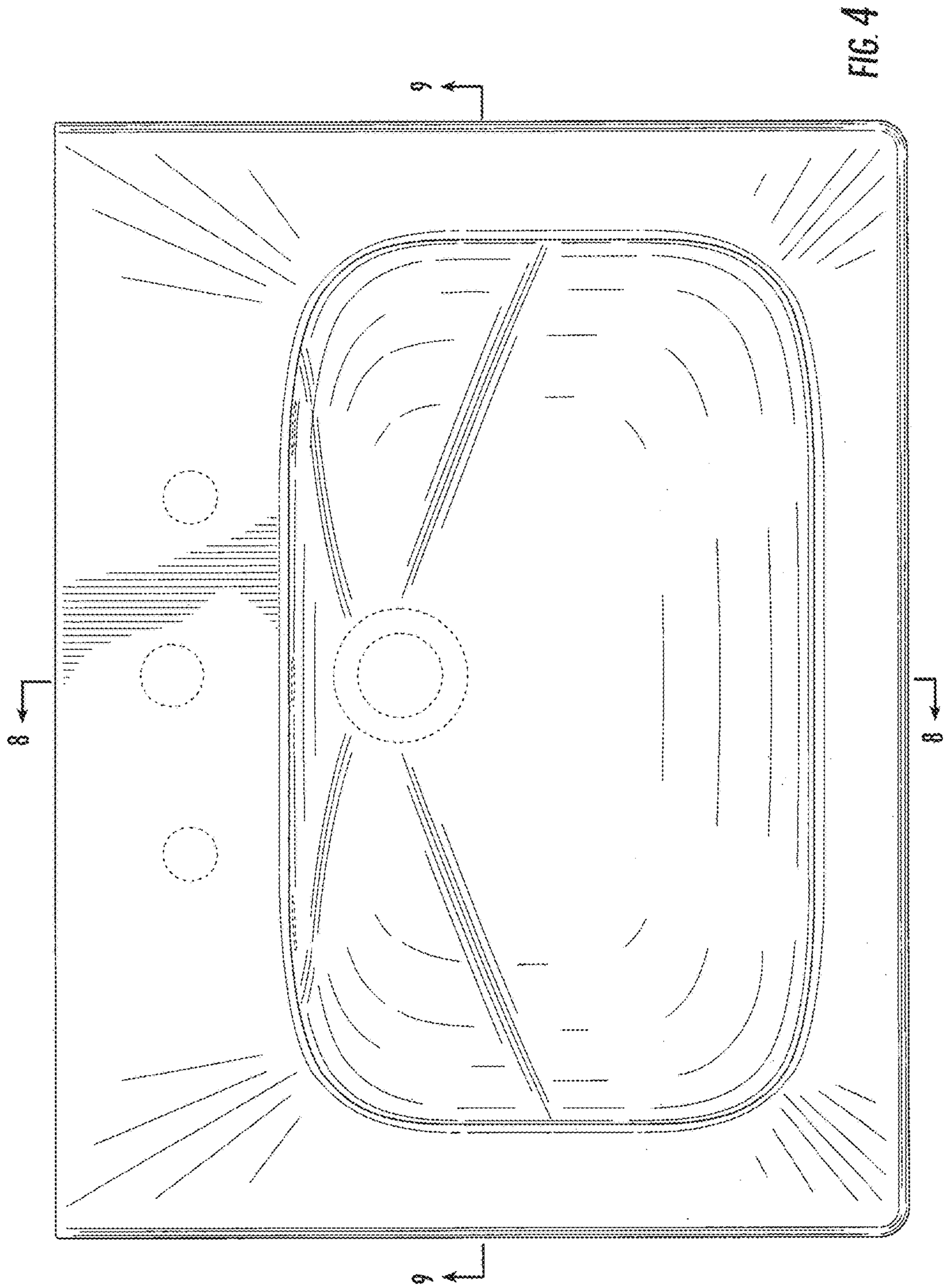


FIG. 3



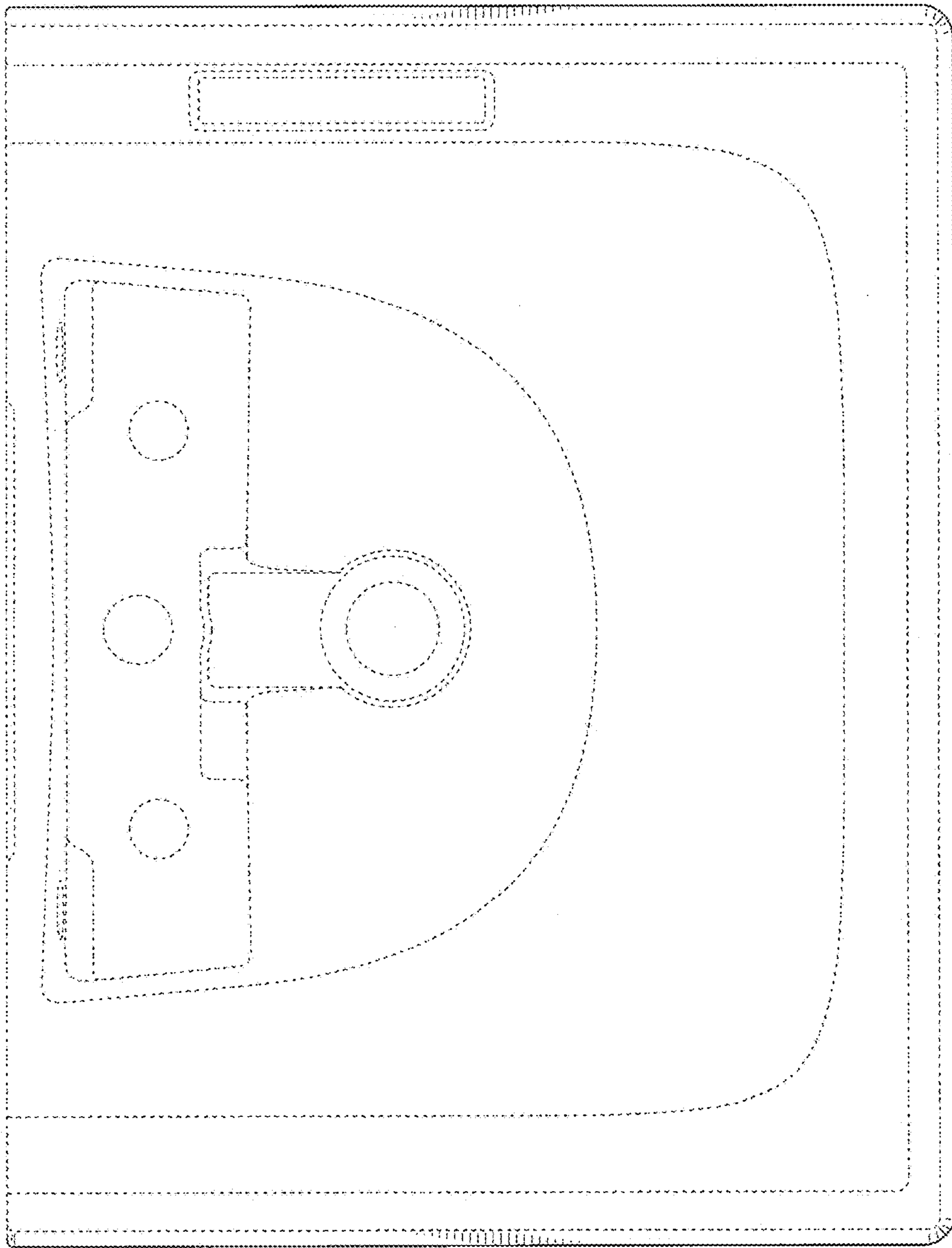


FIG. 5

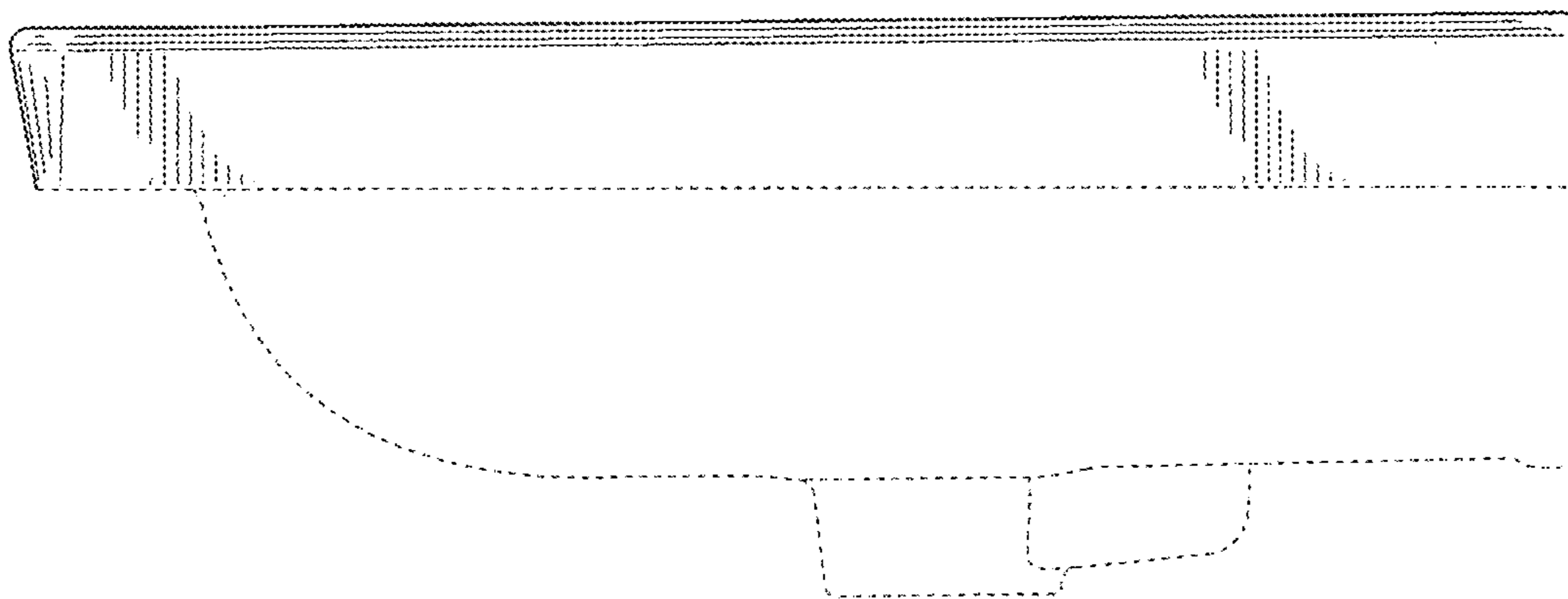


FIG. 6

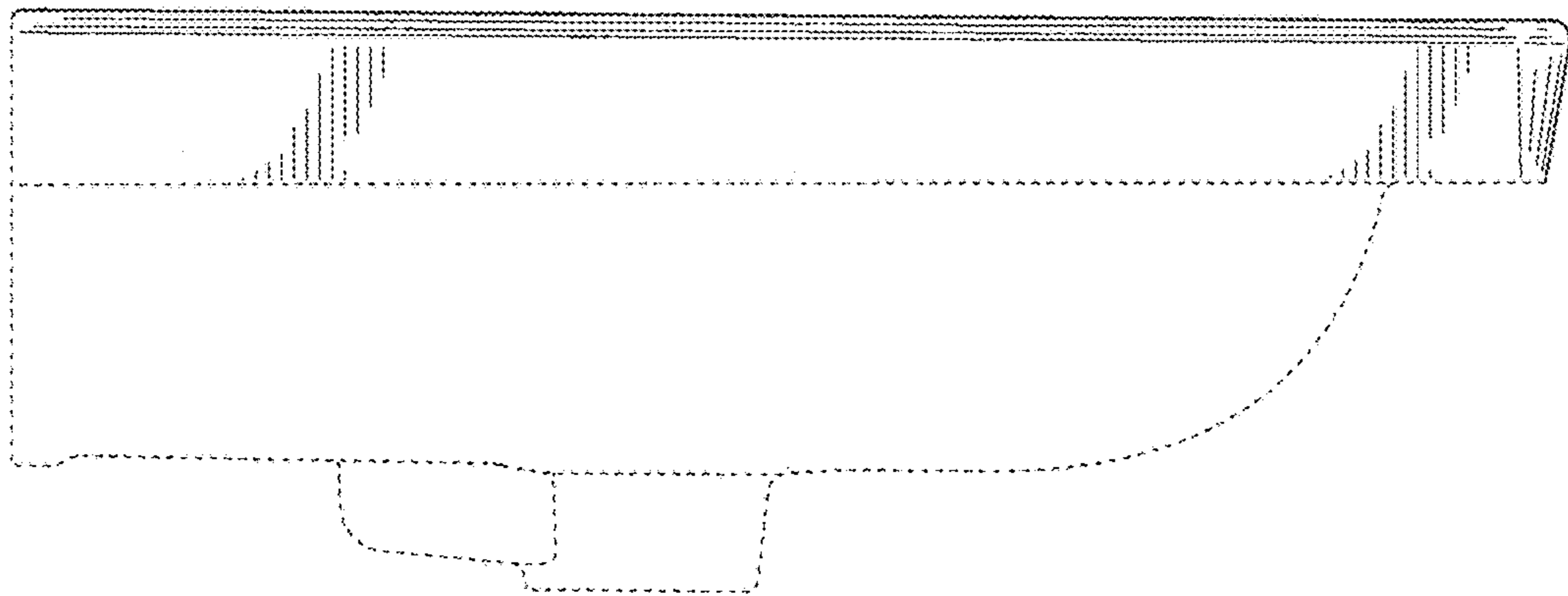


FIG. 7

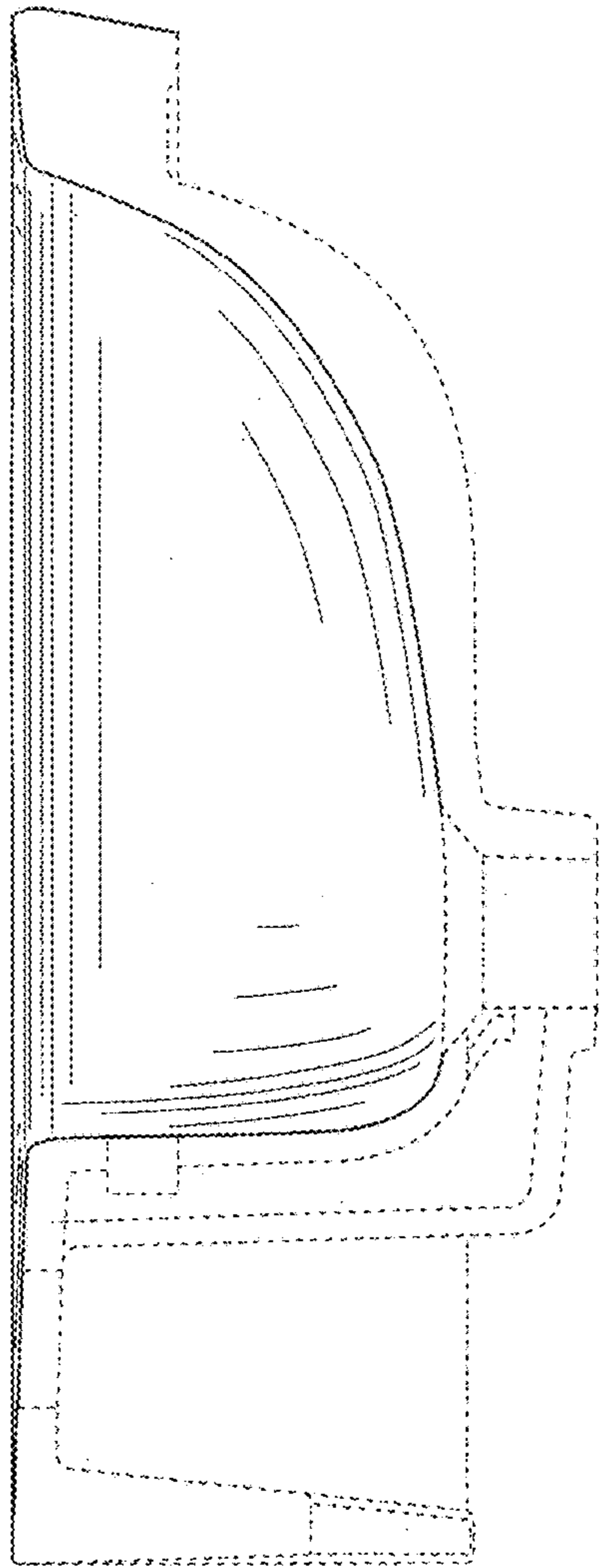


FIG. 8

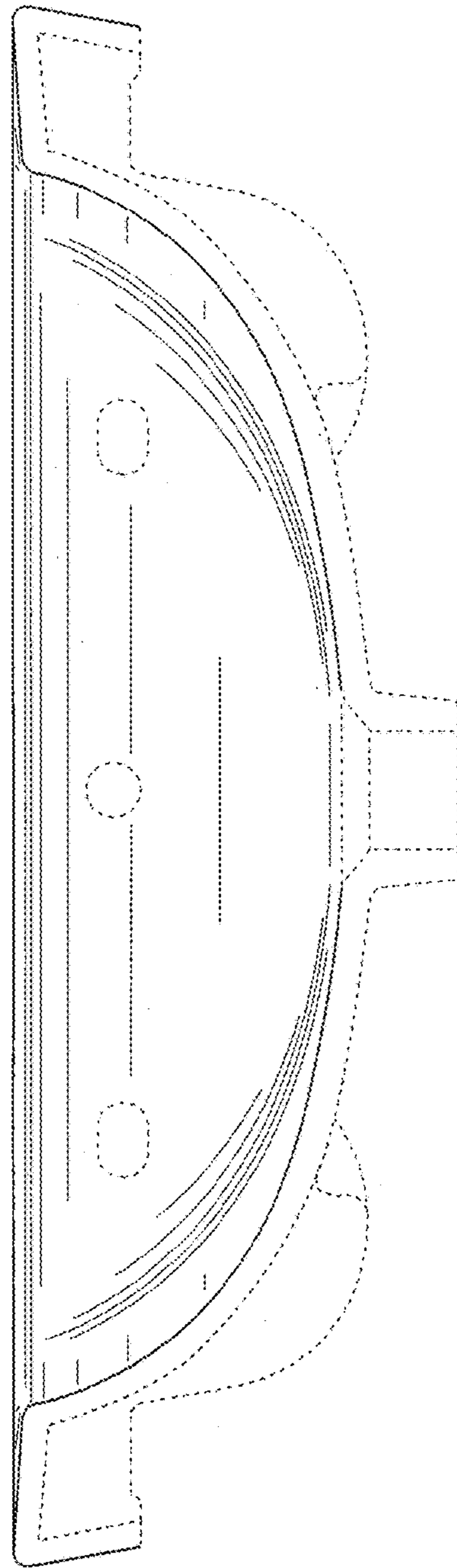


FIG. 9