



US00D805165S

(12) **United States Design Patent**
Dean et al.

(10) **Patent No.:** **US D805,165 S**

(45) **Date of Patent:** **** Dec. 12, 2017**

(54) **TEE COUPLING**

(71) Applicant: **NORTH AMERICAN SPECIALTY PRODUCTS LLC**, Houston, TX (US)

(72) Inventors: **Roy Lucas Dean**, Schwenksville, PA (US); **Bryan Fitzgerald Allard**, West Chester, PA (US); **Michael Austin Dotsey**, Chester Springs, PA (US)

(73) Assignee: **North American Specialty Products LLC**, Houston, TX (US)

(**) Term: **15 Years**

(21) Appl. No.: **29/538,168**

(22) Filed: **Sep. 1, 2015**

(51) **LOC (10) Cl.** **23-01**

(52) **U.S. Cl.**
USPC **D23/262**

(58) **Field of Classification Search**
USPC D23/259, 262–266; 285/133.11, 133.5;
D8/382

CPC F16L 41/007; F16L 41/021; F16L 47/32;
F16L 17/025; F16L 17/035; F16L 17/04
See application file for complete search history.

(56) **References Cited**

U.S. PATENT DOCUMENTS

D163,487 S * 5/1951 Schustack D23/263
5,090,743 A * 2/1992 Obering B21C 37/29
285/133.21
5,511,826 A 4/1996 Clare et al.
D389,562 S * 1/1998 Picton D23/263
6,302,445 B1 10/2001 Kugele et al.

D480,786 S * 10/2003 Wilk, Jr. D23/263
D481,109 S * 10/2003 Dole D23/263
D481,110 S * 10/2003 Snyder, Sr. D23/263
D516,686 S * 3/2006 Wilk, Jr. D23/262
D517,176 S * 3/2006 Wilk, Jr. D23/262
D634,819 S * 3/2011 Leroyer D23/263
D656,225 S * 3/2012 Dole D23/263
D676,942 S * 2/2013 Kluss D23/262
8,459,698 B2 6/2013 Magargal et al.
D731,628 S * 6/2015 Guest D23/262
D738,472 S * 9/2015 Bednarz D23/263
D743,511 S * 11/2015 Bednarz D23/263
D767,105 S * 9/2016 Richards D23/263
2012/0056417 A1 * 3/2012 Gray E04B 1/585
285/133.11
2016/0076682 A1 * 3/2016 Conrad B29C 65/18
285/21.1

* cited by examiner

Primary Examiner — Eric L Goodman
Assistant Examiner — Amy C Wierenga

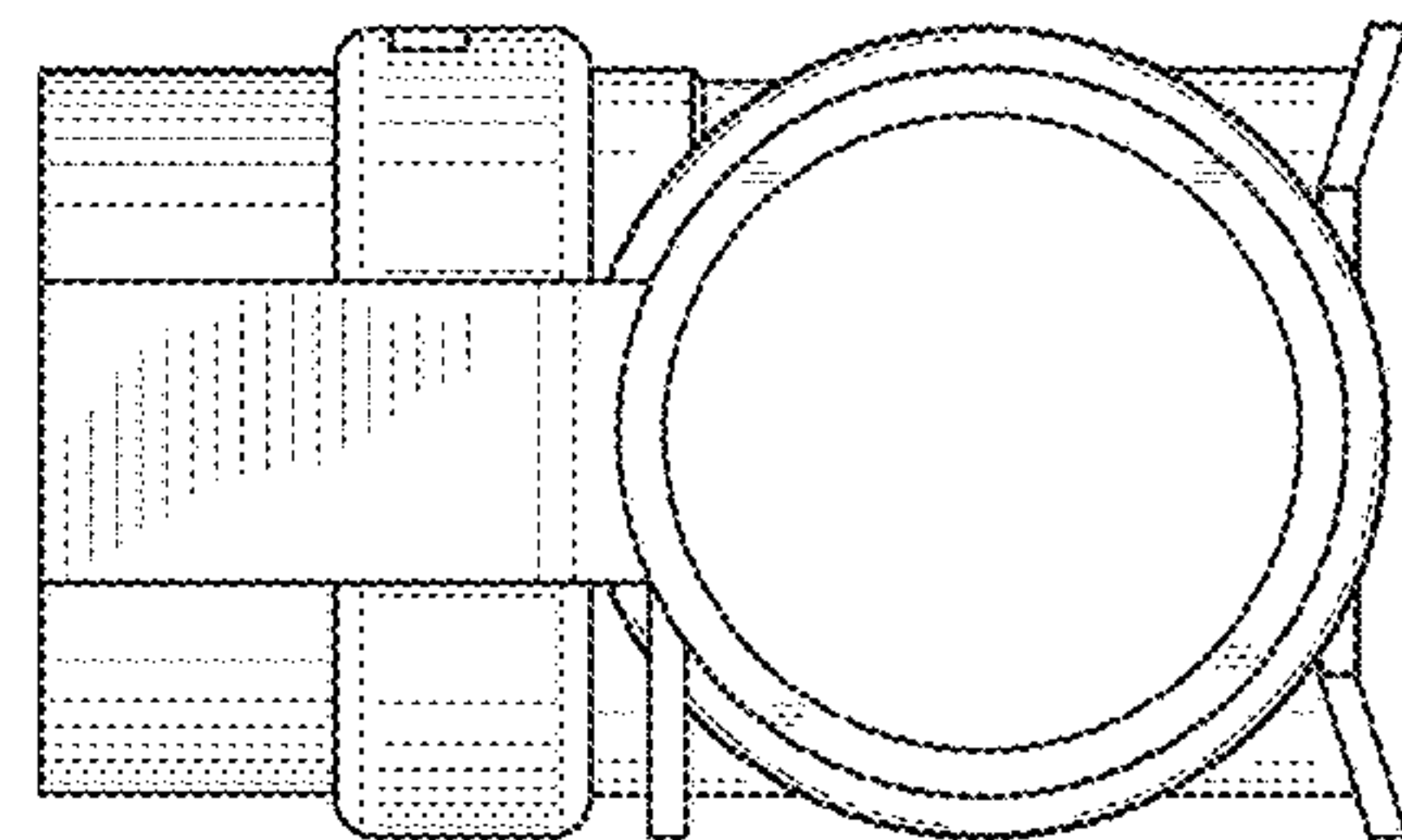
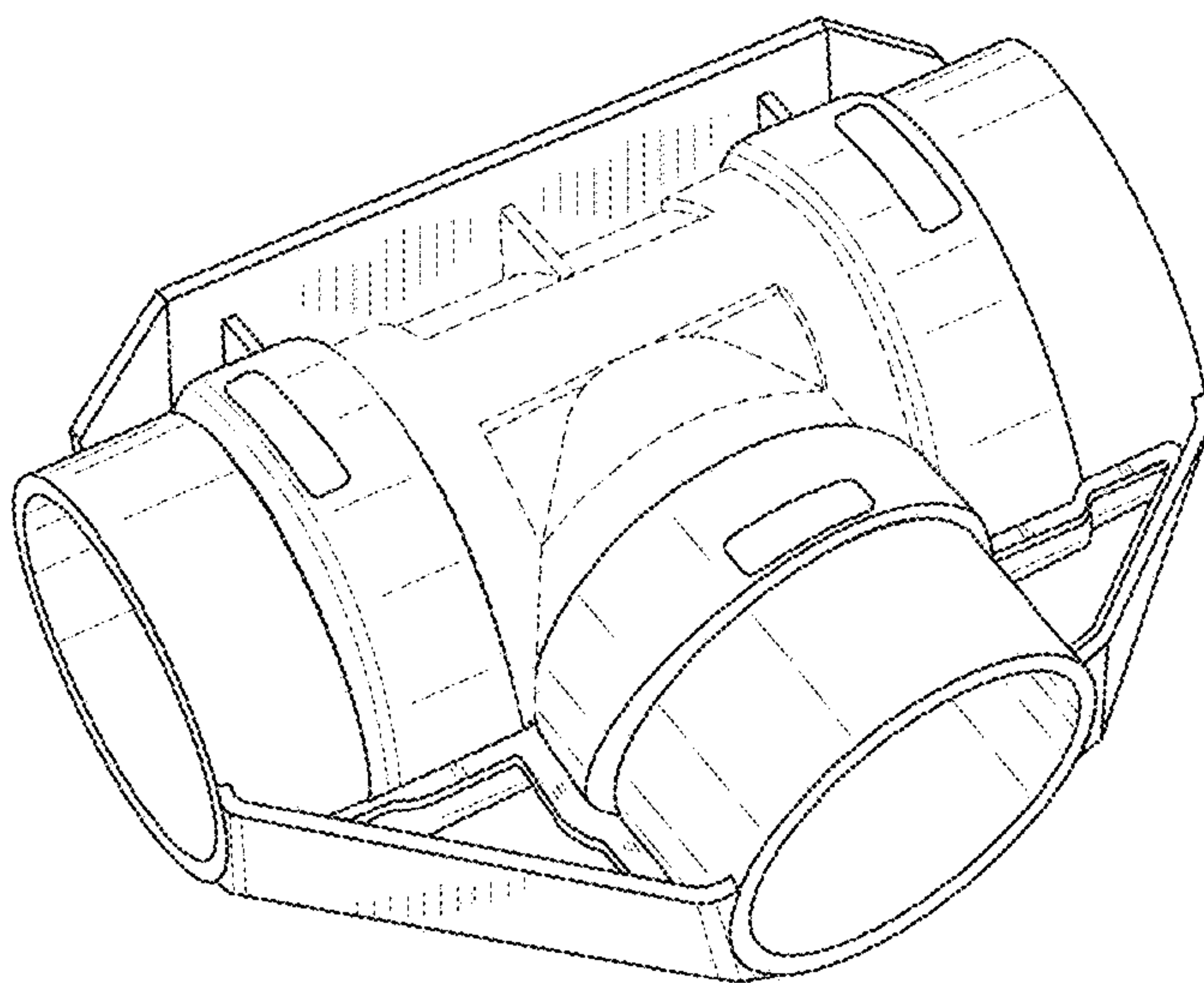
(57) **CLAIM**

The ornamental design for a tee coupling, as shown and described.

DESCRIPTION

FIG. 1 is a top, front isometric view of a tee coupling.
FIG. 2 is a top view of a tee coupling.
FIG. 3 is a bottom view of a tee coupling.
FIG. 4 is a front view of a tee coupling.
FIG. 5 is a rear view of a tee coupling.
FIG. 6 is a right side view of a tee coupling; and,
FIG. 7 is a left side view of a tee coupling.
The broken lines depict portions of the tee coupling that form no part of the claim.

1 Claim, 4 Drawing Sheets



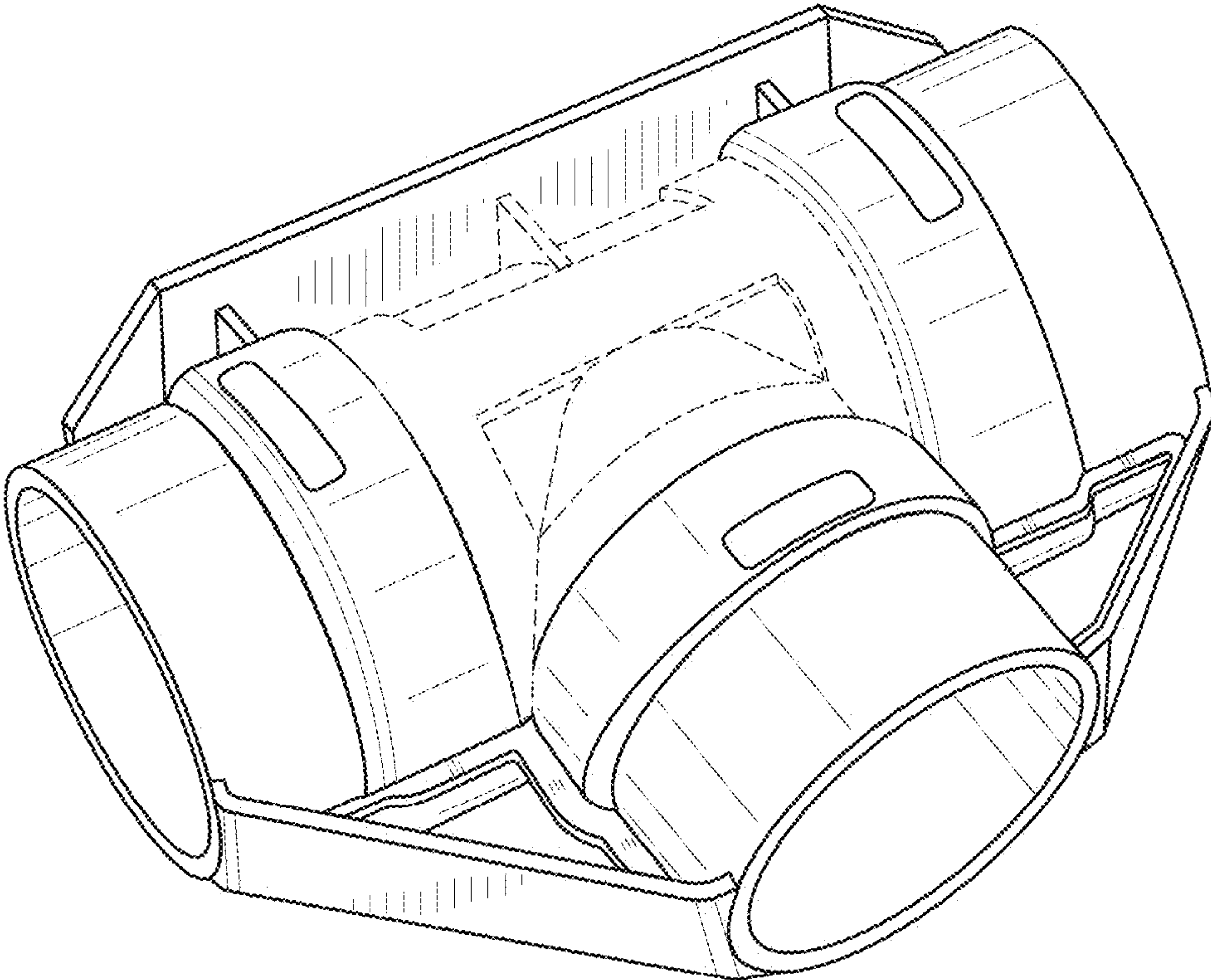


FIG. 1

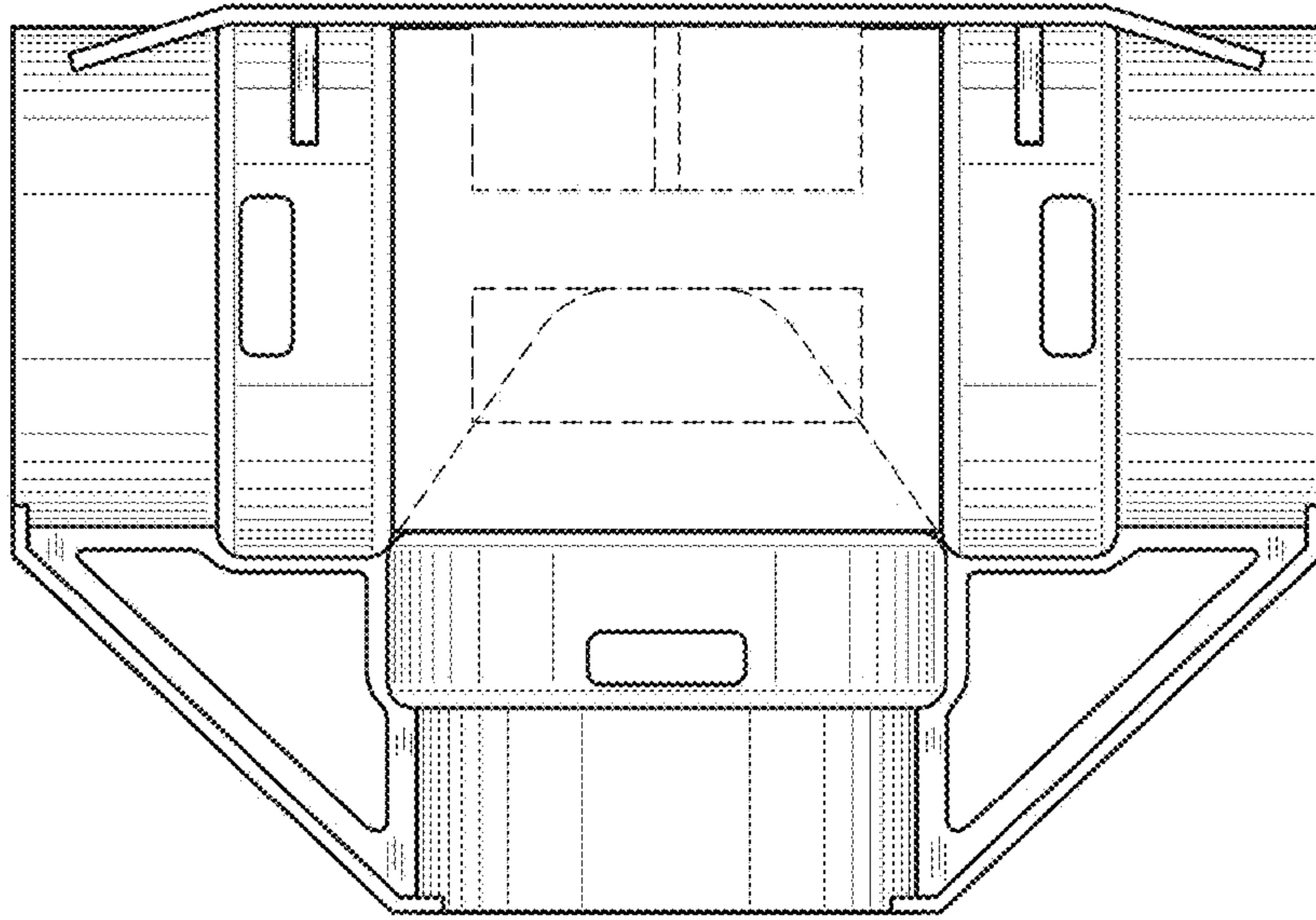


FIG. 2

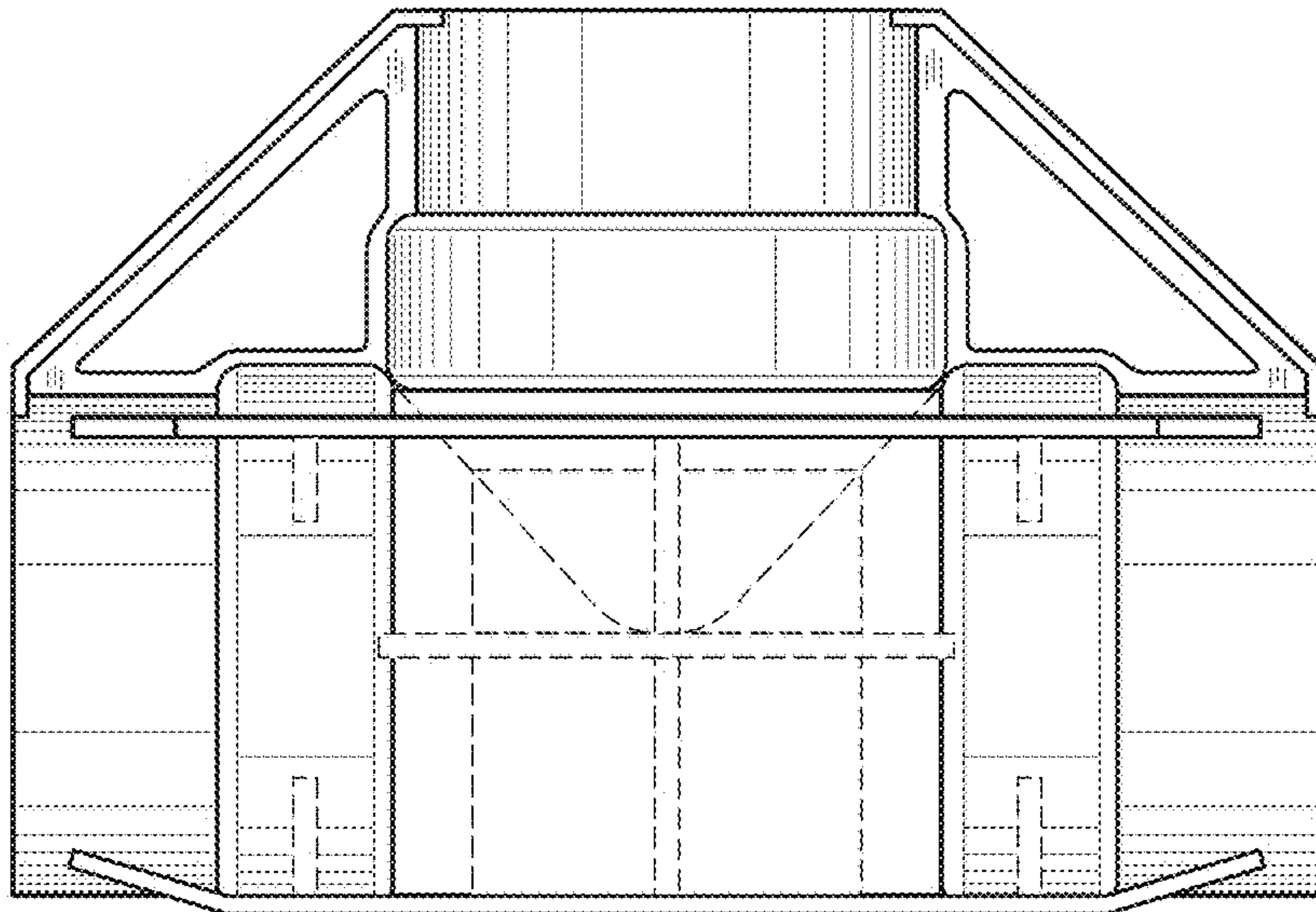


FIG. 3

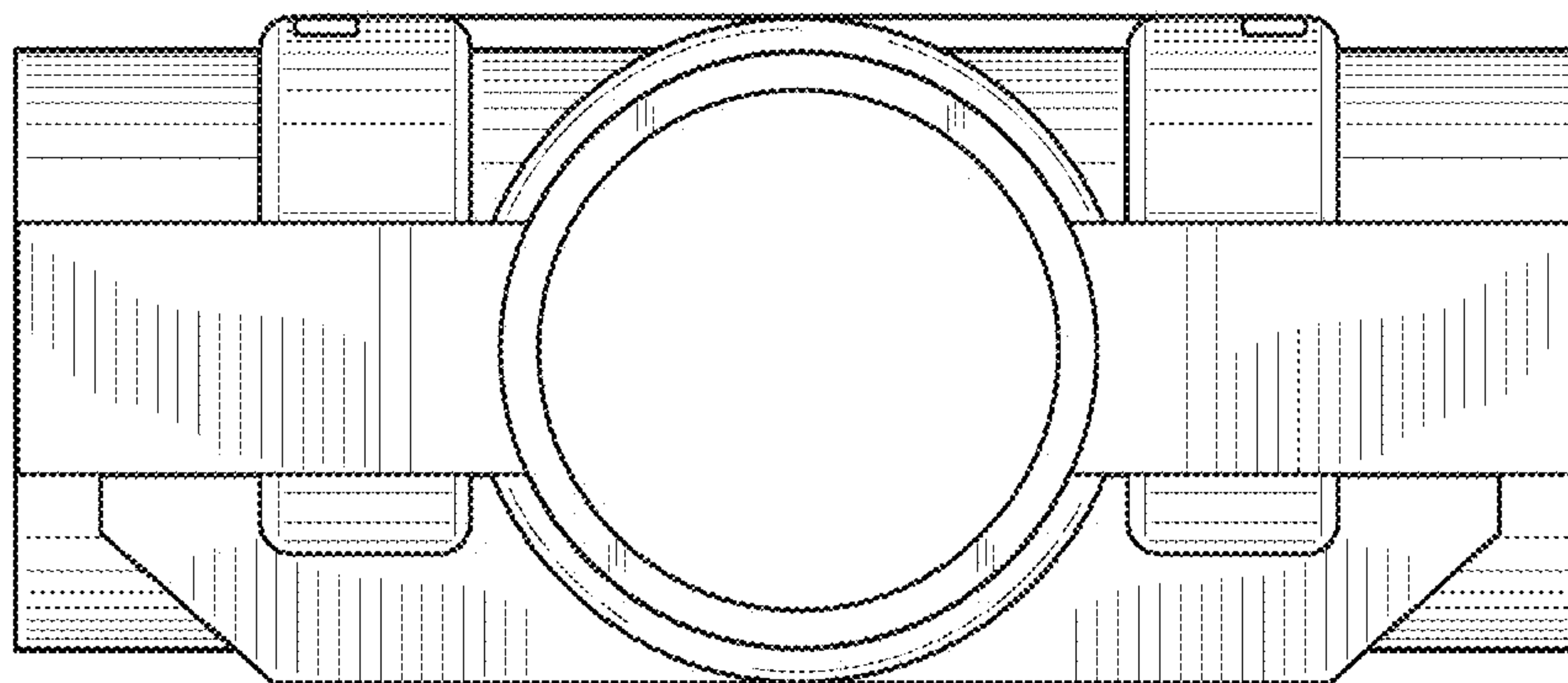


FIG. 4

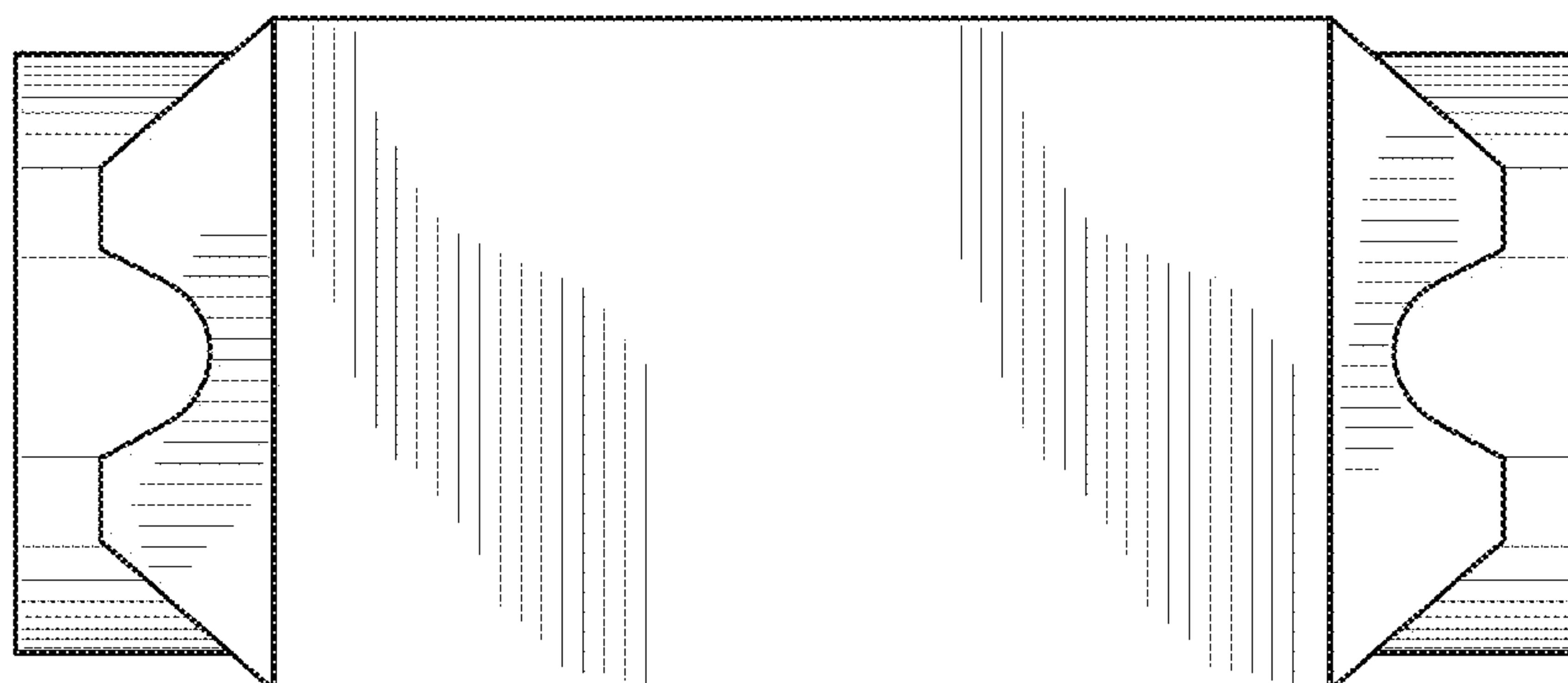


FIG. 5

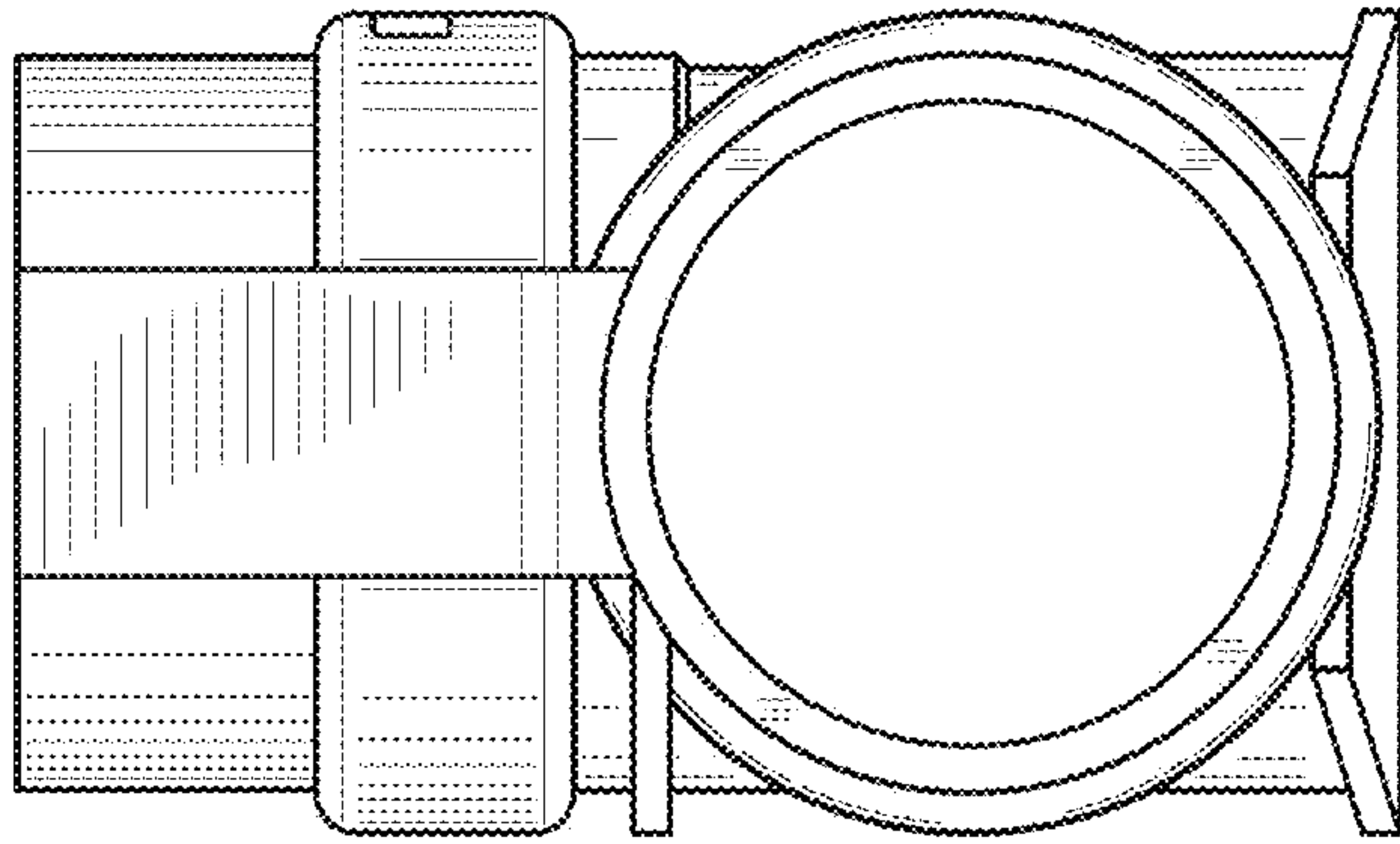


FIG. 6

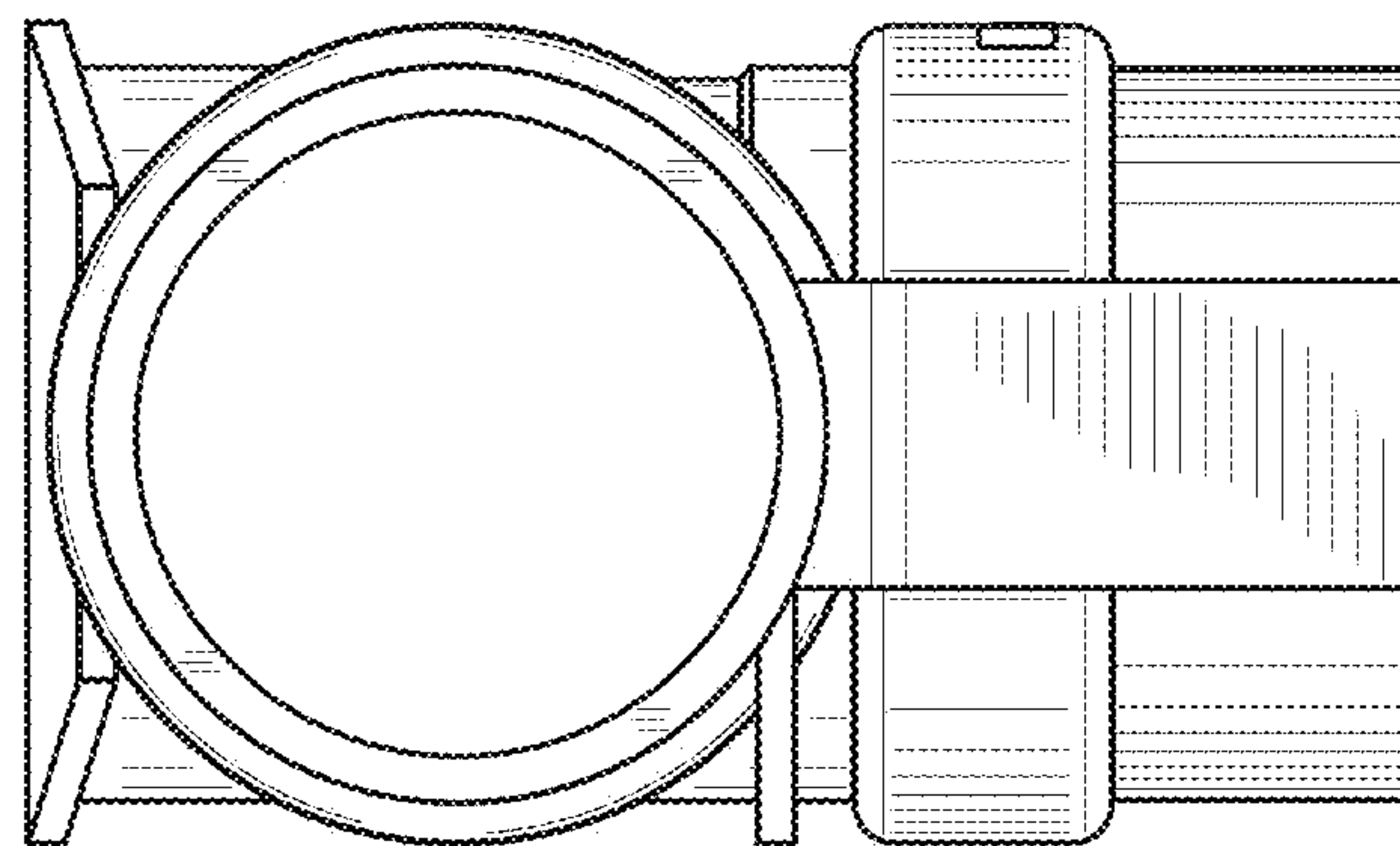


FIG. 7