



US00D805163S

(12) **United States Design Patent** (10) **Patent No.:** **US D805,163 S**  
**Schoenherr et al.** (45) **Date of Patent:** **\*\* Dec. 12, 2017**

(54) **FAUCET**  
(71) Applicant: **HANSGROHE SE**, Schiltach (DE)  
(72) Inventors: **Tom Schoenherr**, Stuttgart (DE);  
**Yunwei Zhu**, Stuttgart (DE); **Andreas Diefenbach**, Ludwigsburg-Oßweil (DE)  
(73) Assignee: **Hansgrohe SE**, Schiltach (DE)  
(\*\*) Term: **15 Years**

D607,975 S 1/2010 Schoenherr et al.  
D608,859 S \* 1/2010 Schoenherr ..... D23/242  
D610,236 S \* 2/2010 Schoenherr ..... D23/238  
D623,726 S \* 9/2010 Shieh ..... D23/255  
D631,529 S \* 1/2011 Ko ..... D23/238  
D635,649 S 4/2011 Schoenherr et al.  
D674,051 S \* 1/2013 Uhl ..... D23/242  
D692,538 S \* 10/2013 Flowers ..... D23/238  
D713,937 S \* 9/2014 Fritz ..... D23/242  
D721,793 S \* 1/2015 McNinch ..... D23/255  
D732,144 S \* 6/2015 Bahler ..... D23/257  
D773,614 S \* 12/2016 Potter ..... D23/238  
D790,669 S \* 6/2017 Potter ..... D23/255

(21) Appl. No.: **29/575,776**

**FOREIGN PATENT DOCUMENTS**

(22) Filed: **Aug. 29, 2016**

EM 002241406-0003 5/2013  
EM 002380311-0019 1/2014  
EM 002635201-0001 2/2015

(30) **Foreign Application Priority Data**

\* cited by examiner

Feb. 29, 2016 (EM) ..... 003007152-0001

(51) **LOC (10) Cl.** ..... **23-01**

*Primary Examiner* — Robert A Delehanty

(52) **U.S. Cl.**  
USPC ..... **D23/238**

(74) *Attorney, Agent, or Firm* — Lora J. Graentzdoerffer

(58) **Field of Classification Search**  
USPC ..... D23/238, 242–244, 249–250, 252,  
D23/254–255, 257; D7/107–108

(57) **CLAIM**

CPC ..... E03C 1/04; E03C 1/0401; E03C 1/0402;  
E03C 1/0404; E03C 1/0405; E03C  
1/0412; Y10T 137/9464  
See application file for complete search history.

The ornamental design for a faucet, as shown and described.

**DESCRIPTION**

(56) **References Cited**

FIG. 1 is a perspective view of a faucet showing our design;  
FIG. 2 is a front elevation view;  
FIG. 3 is a rear elevation view;  
FIG. 4 is side elevation view;  
FIG. 5 is a top plan view; and,  
FIG. 6 is a bottom plan view.  
The broken-line disclosure in the view represents a portion  
of the faucet in which the claimed design is embodied, but  
which forms no part of the claimed design.

**U.S. PATENT DOCUMENTS**

D488,539 S \* 4/2004 McKeone ..... D23/255  
D508,977 S \* 8/2005 Otero ..... D23/238  
D518,153 S \* 3/2006 Theberge ..... D23/255  
D573,693 S \* 7/2008 Hsieh ..... D23/242  
D579,082 S \* 10/2008 Yuan ..... D23/250

**1 Claim, 6 Drawing Sheets**

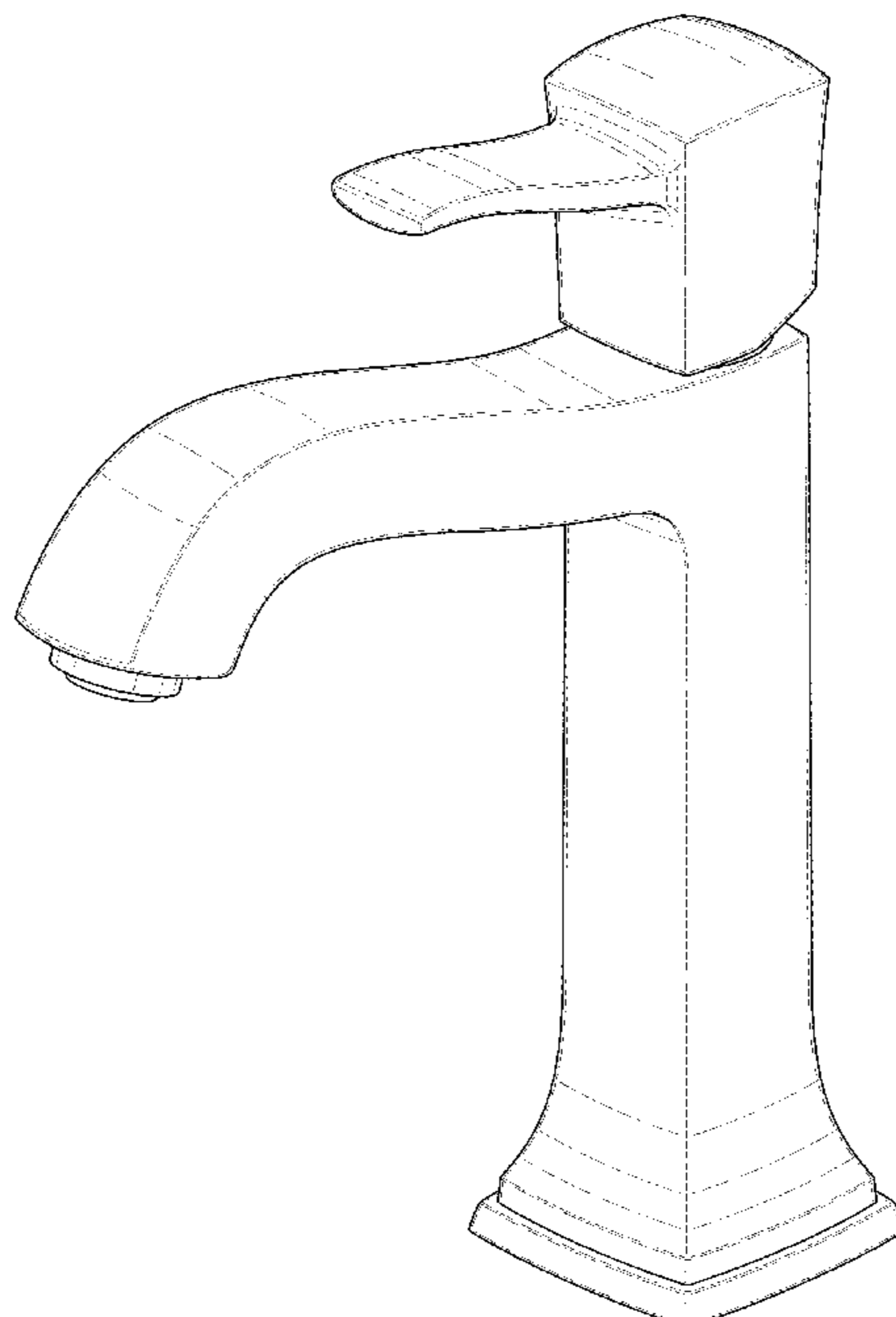


FIG. 1

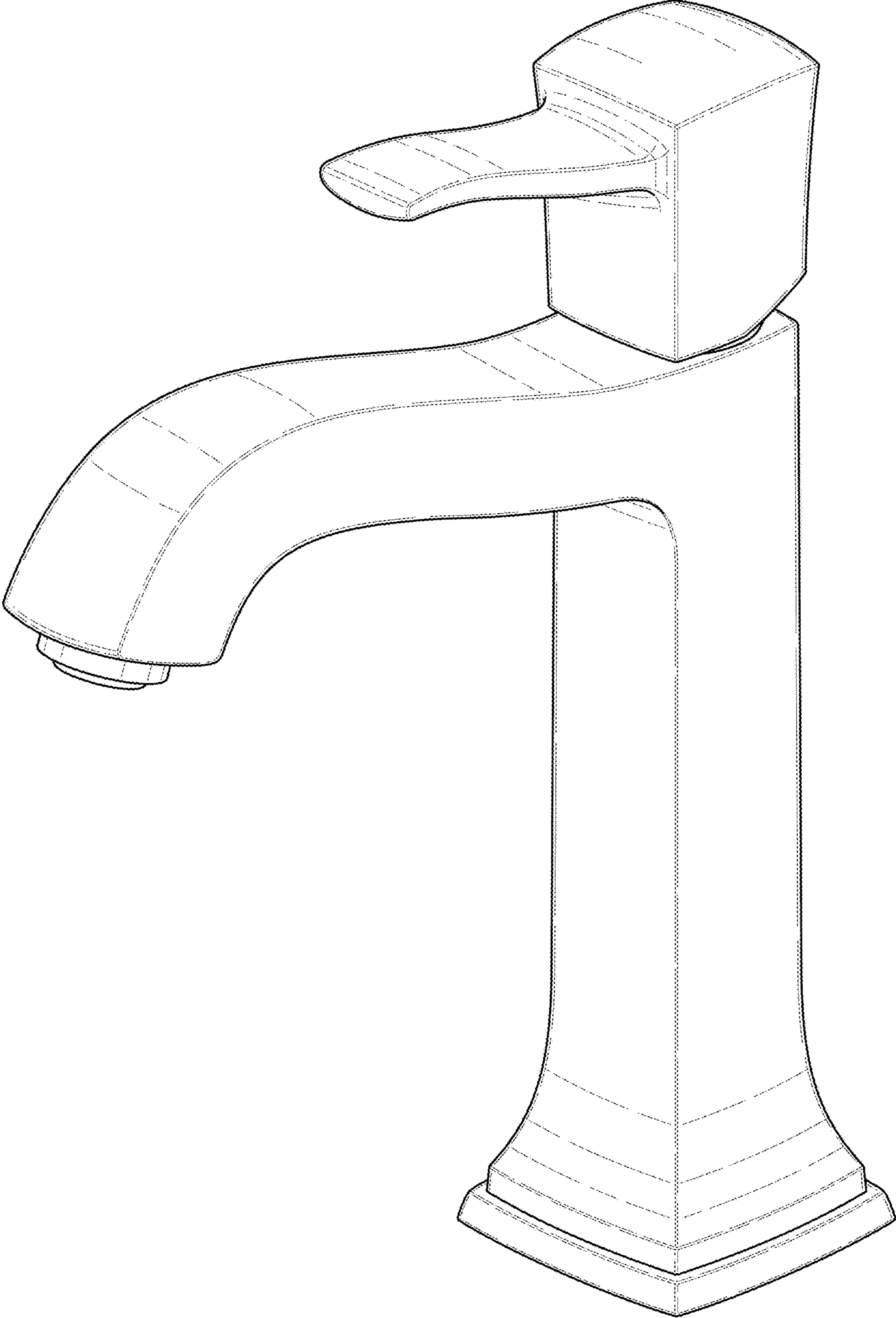


FIG. 2

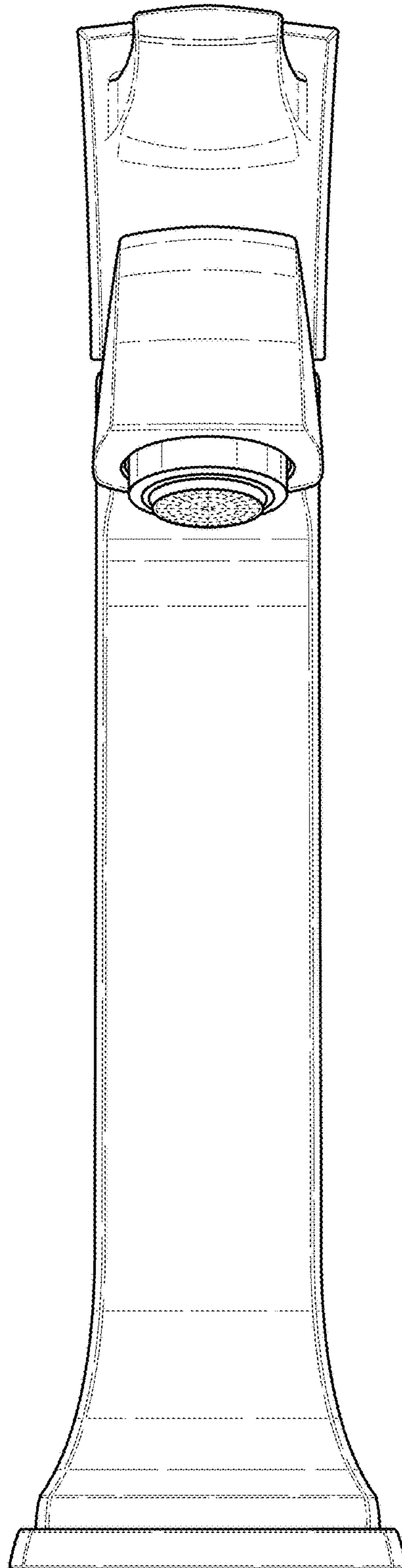


FIG. 3

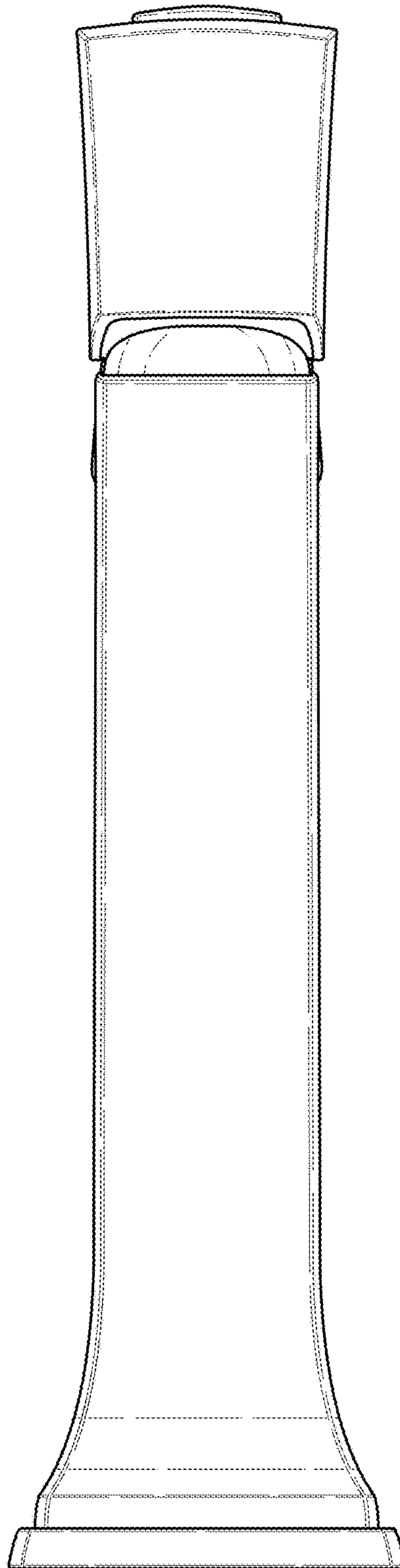


FIG. 4

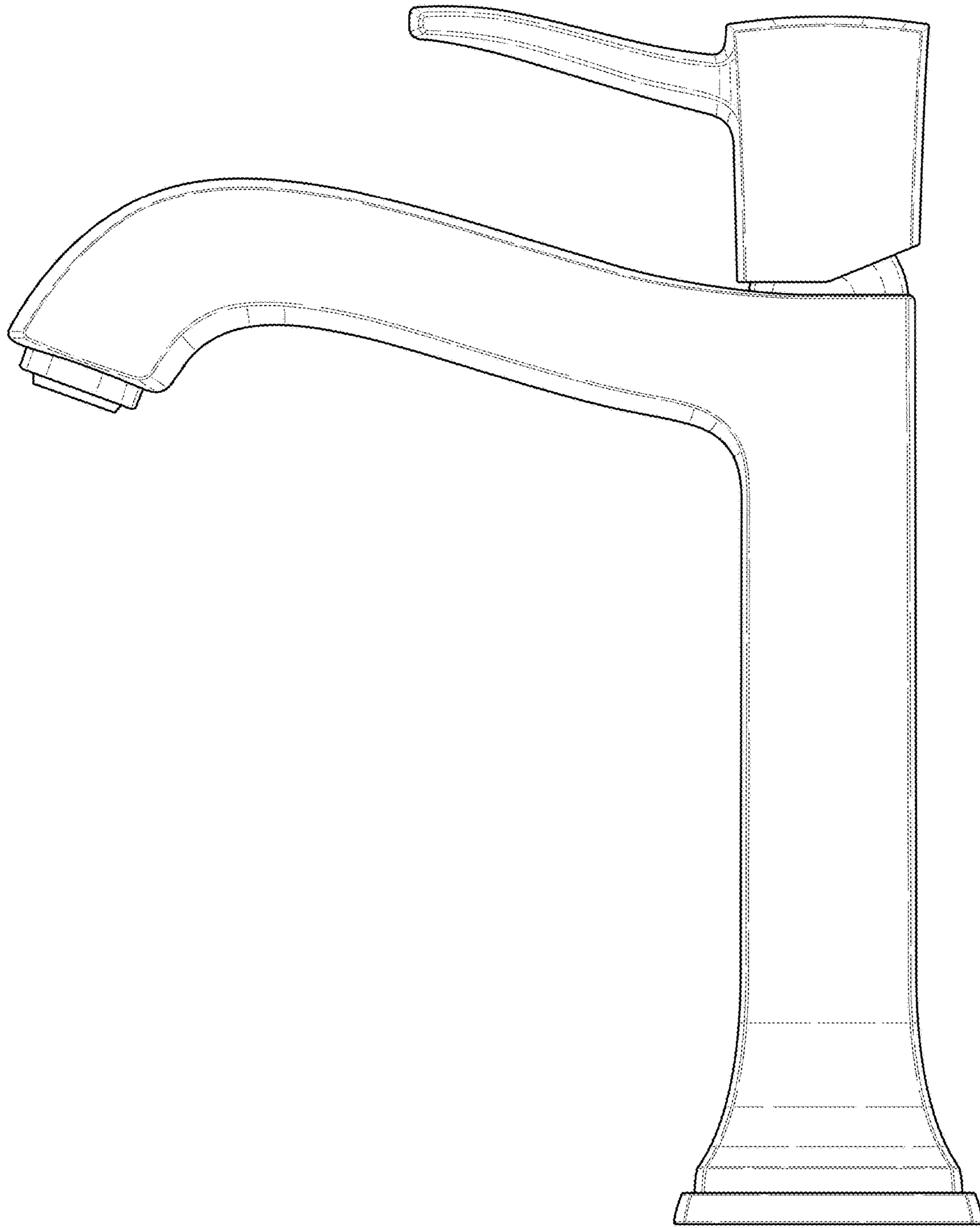


FIG. 5

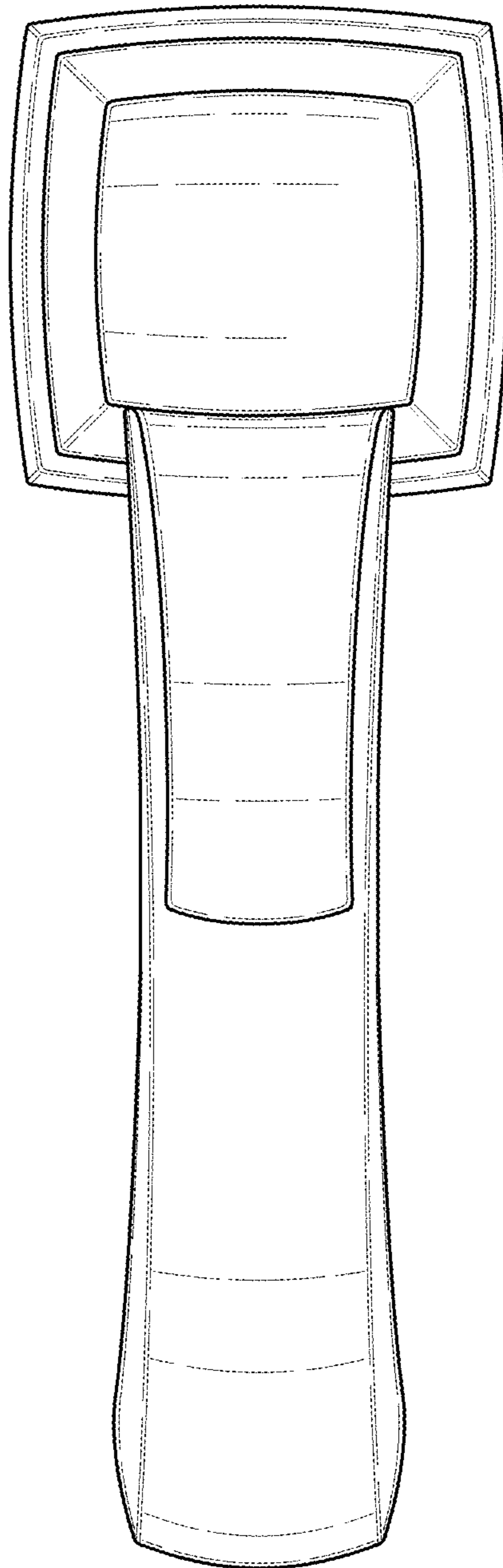


FIG. 6

