



US00D805161S

(12) **United States Design Patent** (10) **Patent No.:** **US D805,161 S**
Gelardi et al. (45) **Date of Patent:** **** Dec. 12, 2017**

(54) **SHOWER FILTER BASE**

CPC C02F 1/003; B01D 35/04; B01D 35/30
See application file for complete search history.

(71) Applicant: **Molecule Shower Filter LLC**, New York, NY (US)

(56) **References Cited**

(72) Inventors: **Pepin Sebastian Gelardi**, Brooklyn, NY (US); **Haimin Yie**, New York, NY (US)

U.S. PATENT DOCUMENTS

D638,099 S * 5/2011 Farley D23/209
D638,514 S * 5/2011 Farley D23/209
D667,077 S * 9/2012 Stanley D23/209
D667,926 S * 9/2012 Farley D23/209

* cited by examiner

(73) Assignee: **Molecule Shower Filter LLC**, New York, NY (US)

Primary Examiner — Robin V Webster

(**) Term: **15 Years**

(57) **CLAIM**

The ornamental design for a shower filter base, as shown and described.

(21) Appl. No.: **29/567,859**

DESCRIPTION

(22) Filed: **Jun. 13, 2016**

FIG. 1 is a perspective view of the front of the shower filter base.

(51) **LOC (10) Cl.** **23-01**

FIG. 2 is a back view of the shower filter base of FIG. 1.

(52) **U.S. Cl.**

FIG. 3 is a left view of the shower filter base of FIG. 1.

USPC **D23/209**

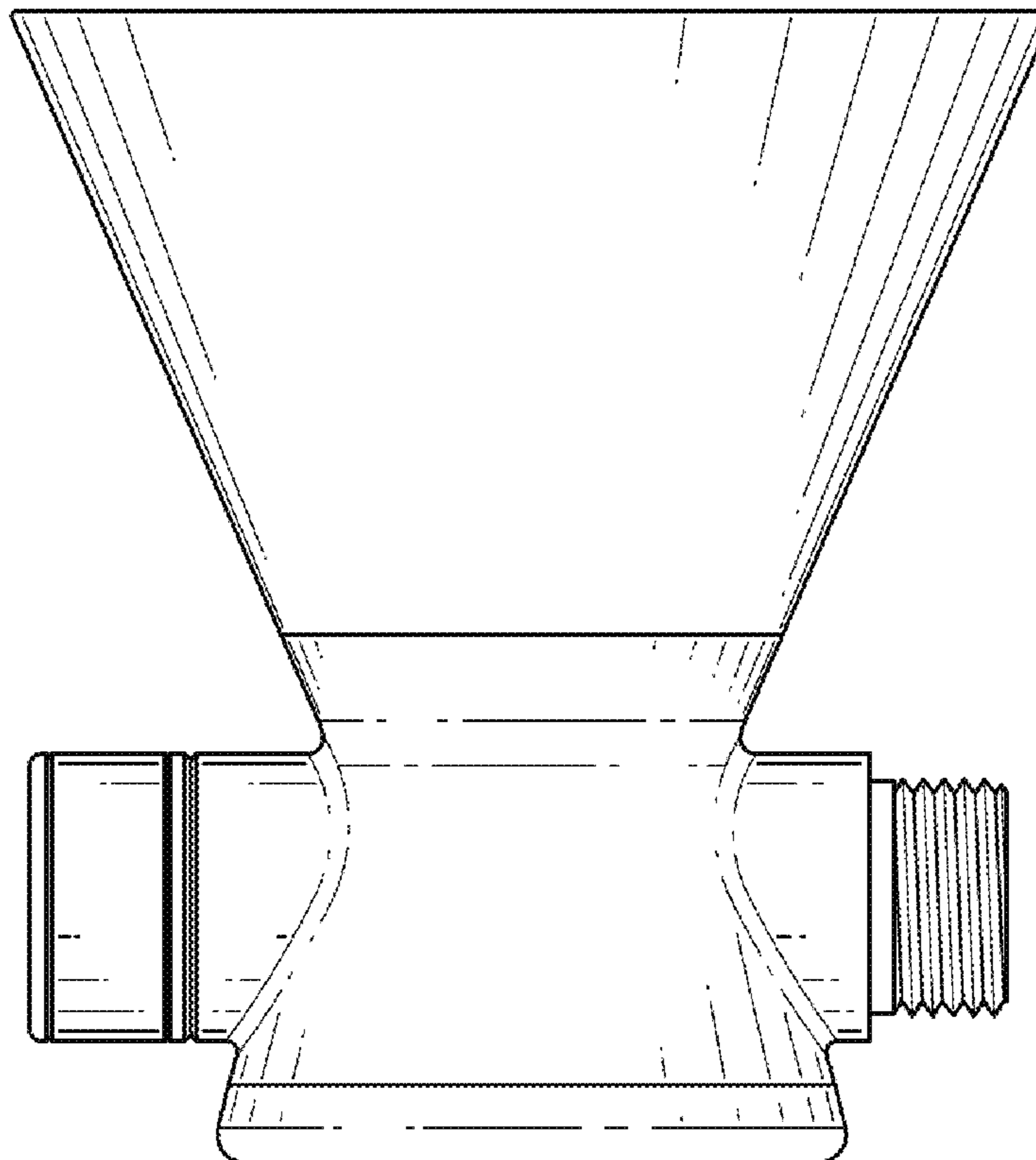
FIG. 4 is a right view of the shower filter base of FIG. 1.

(58) **Field of Classification Search**

USPC D23/207, 208, 209; 210/446–447, 449; 239/289

FIG. 5 is a top view of the shower filter base of FIG. 1; and, FIG. 6 is a bottom view of the shower filter base of FIG. 1. The broken line showing of portions of the shower filter is included for the purpose of illustrating and forms no part of the claimed design.

1 Claim, 6 Drawing Sheets



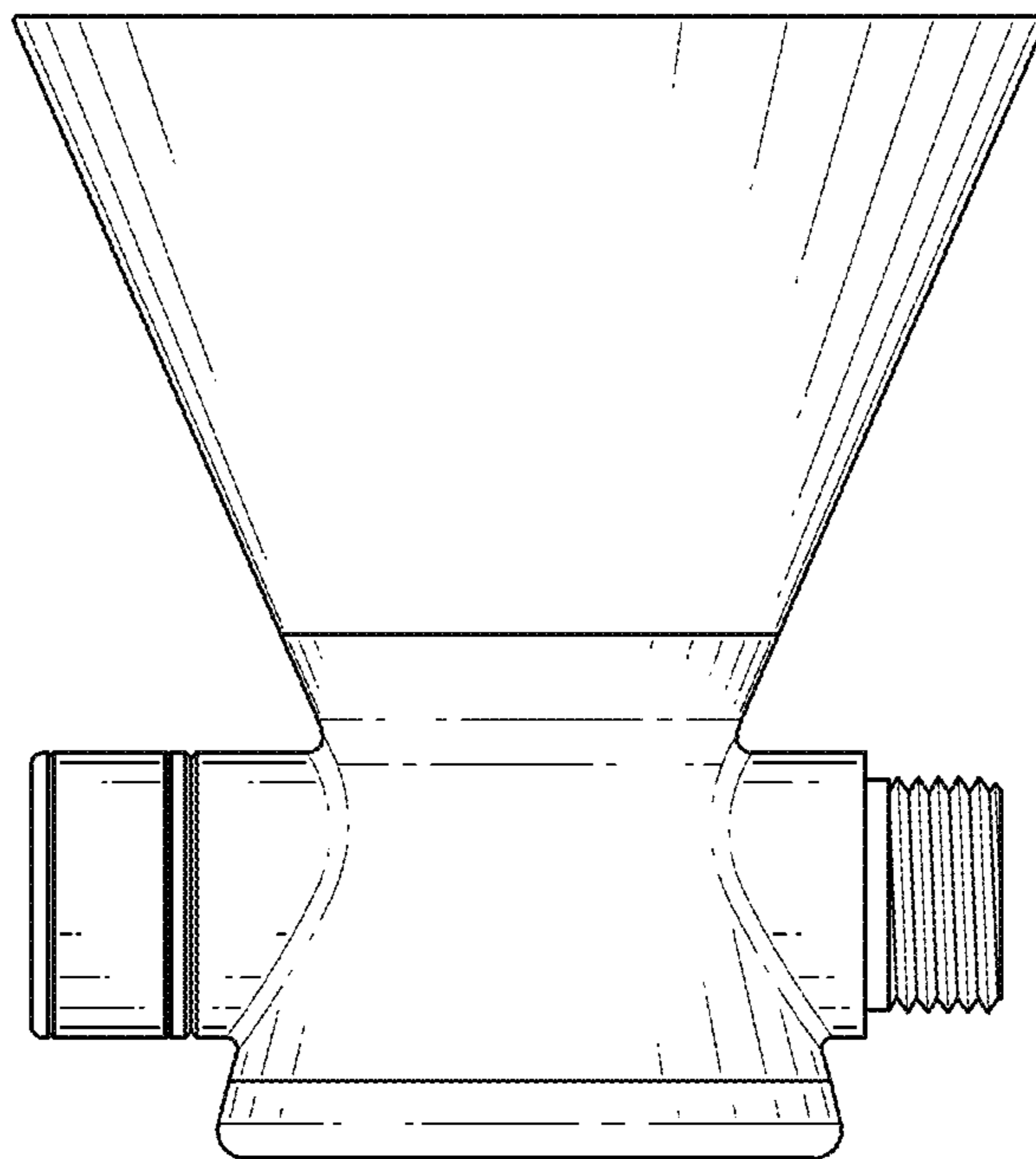


FIG. 1

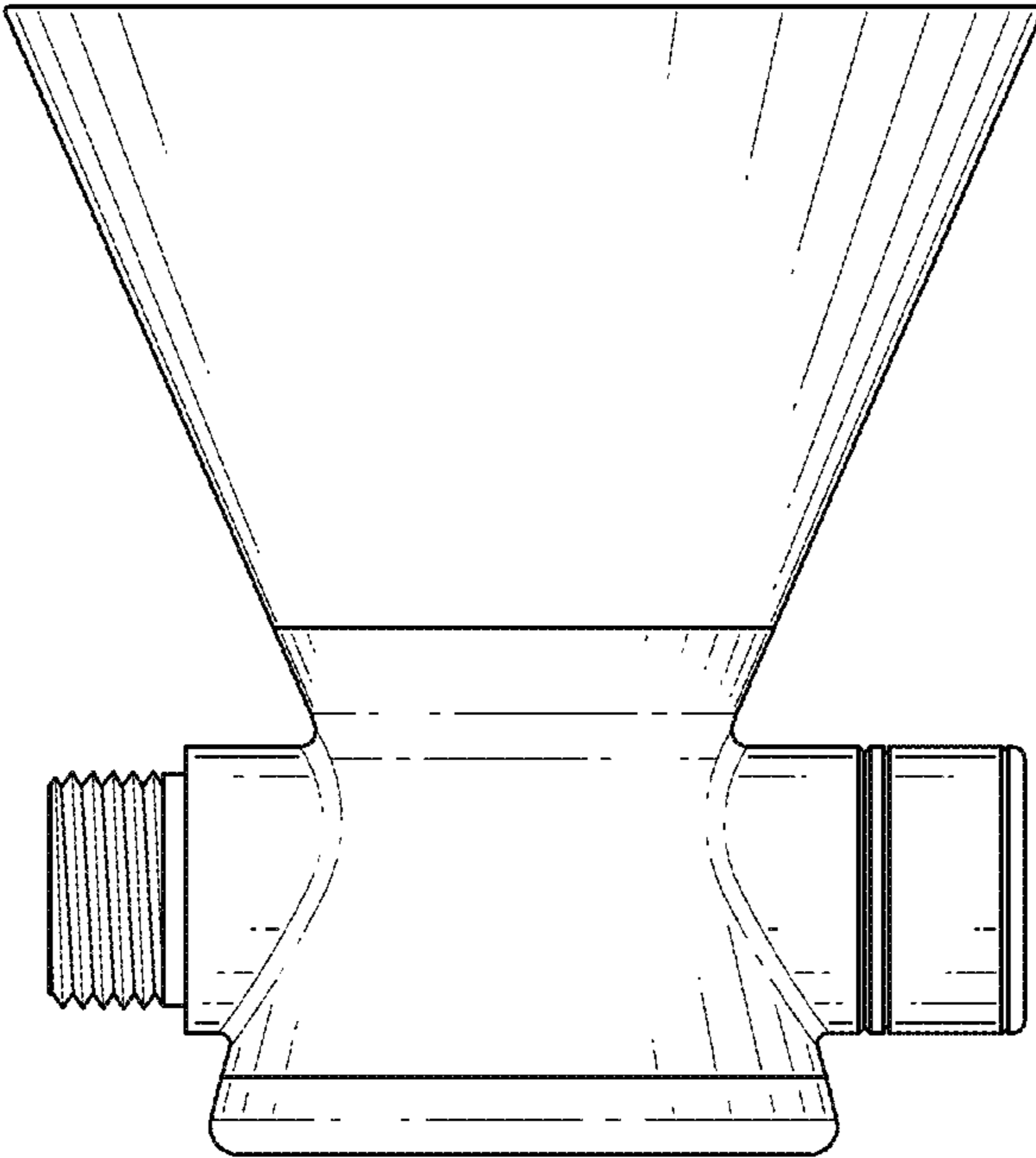


FIG.2

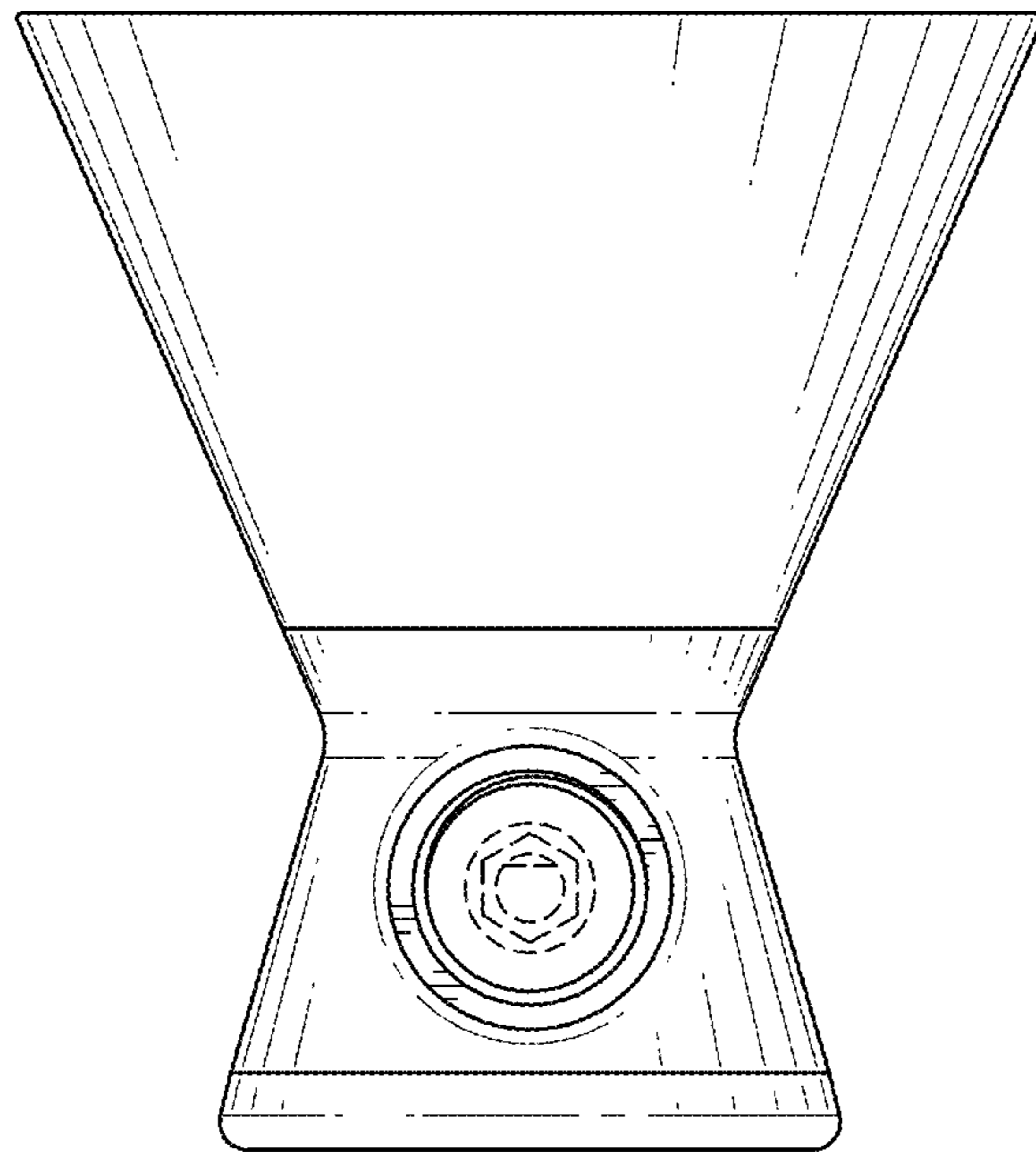


FIG. 3

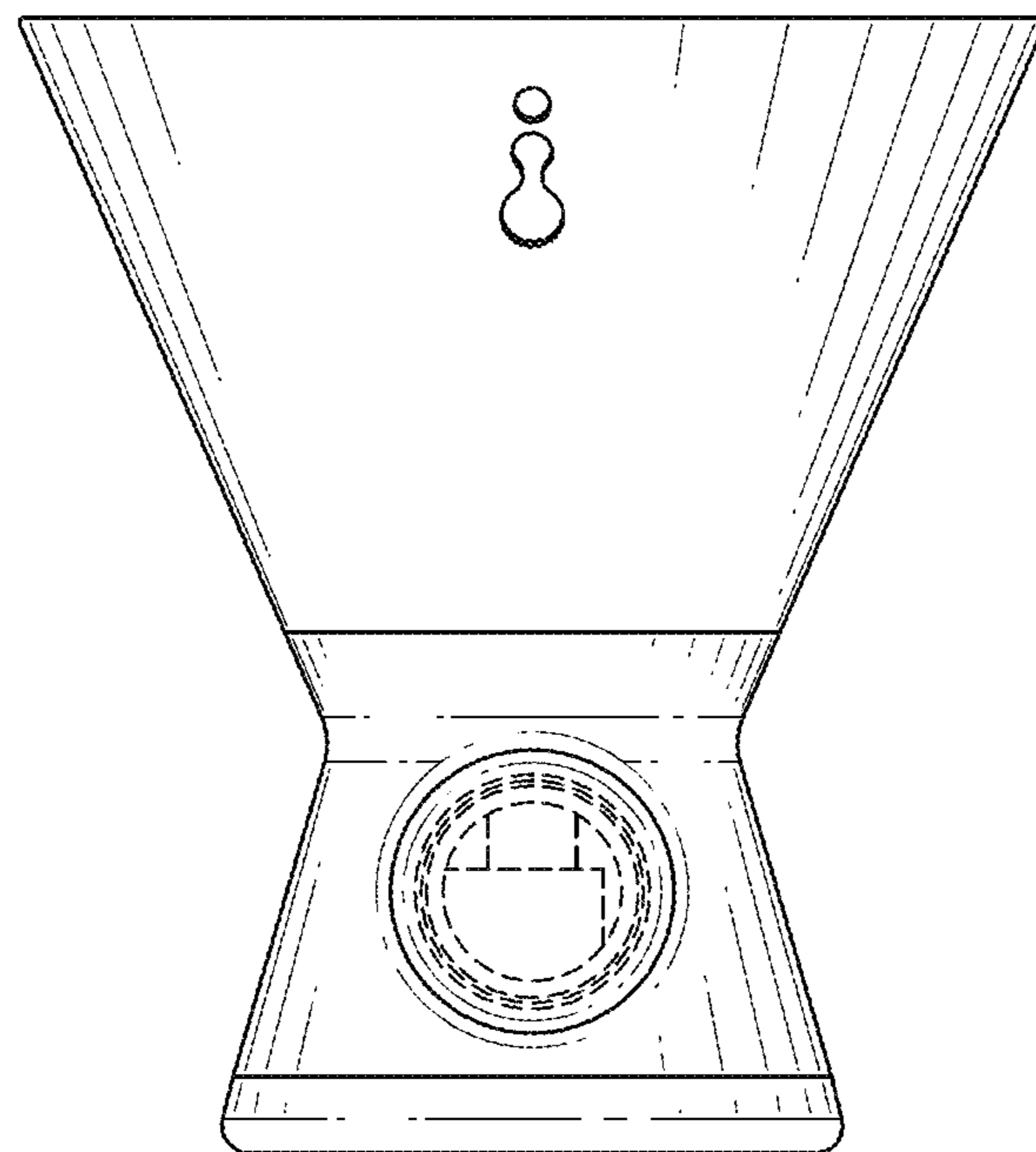


FIG.4

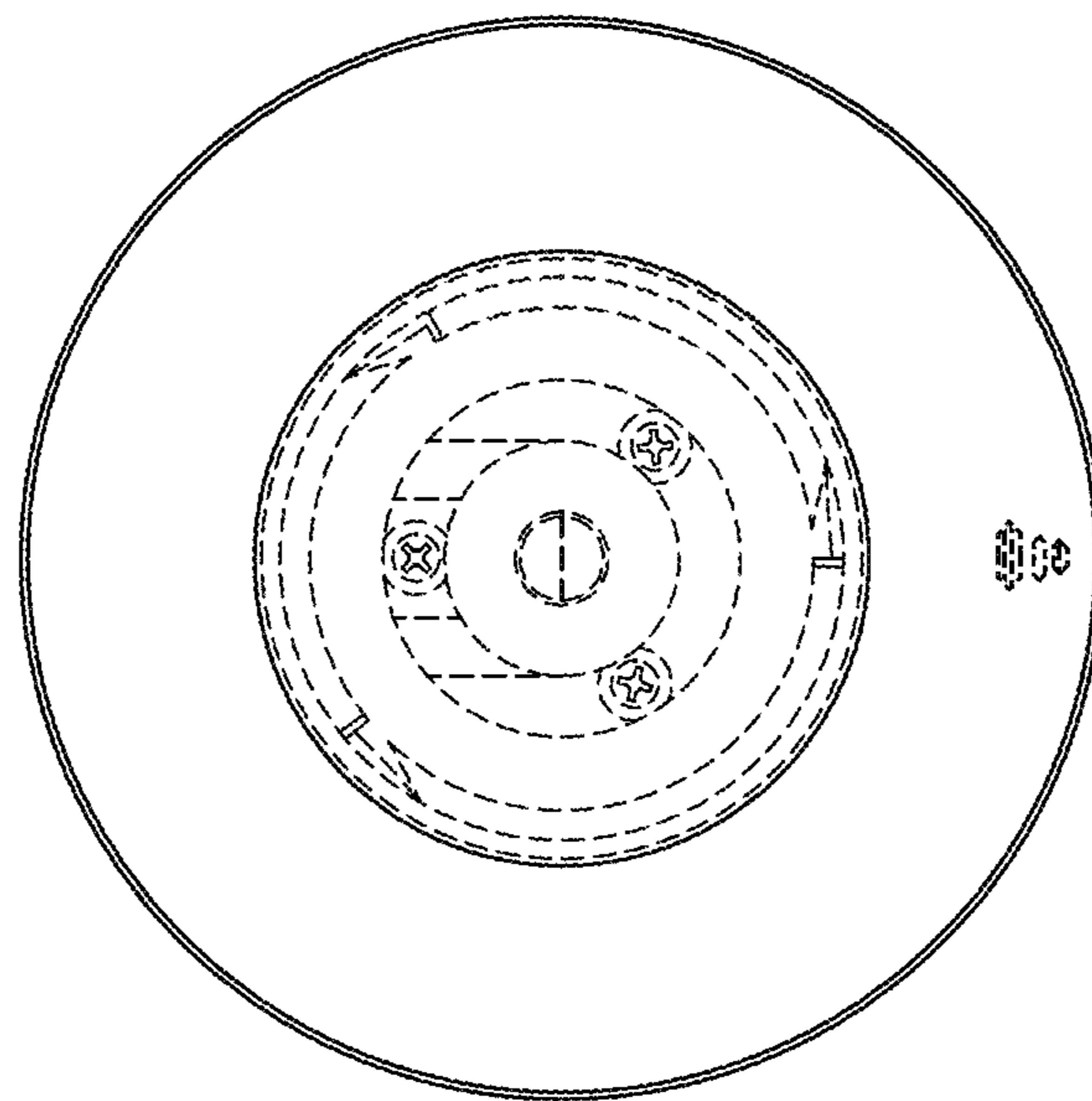


FIG. 5

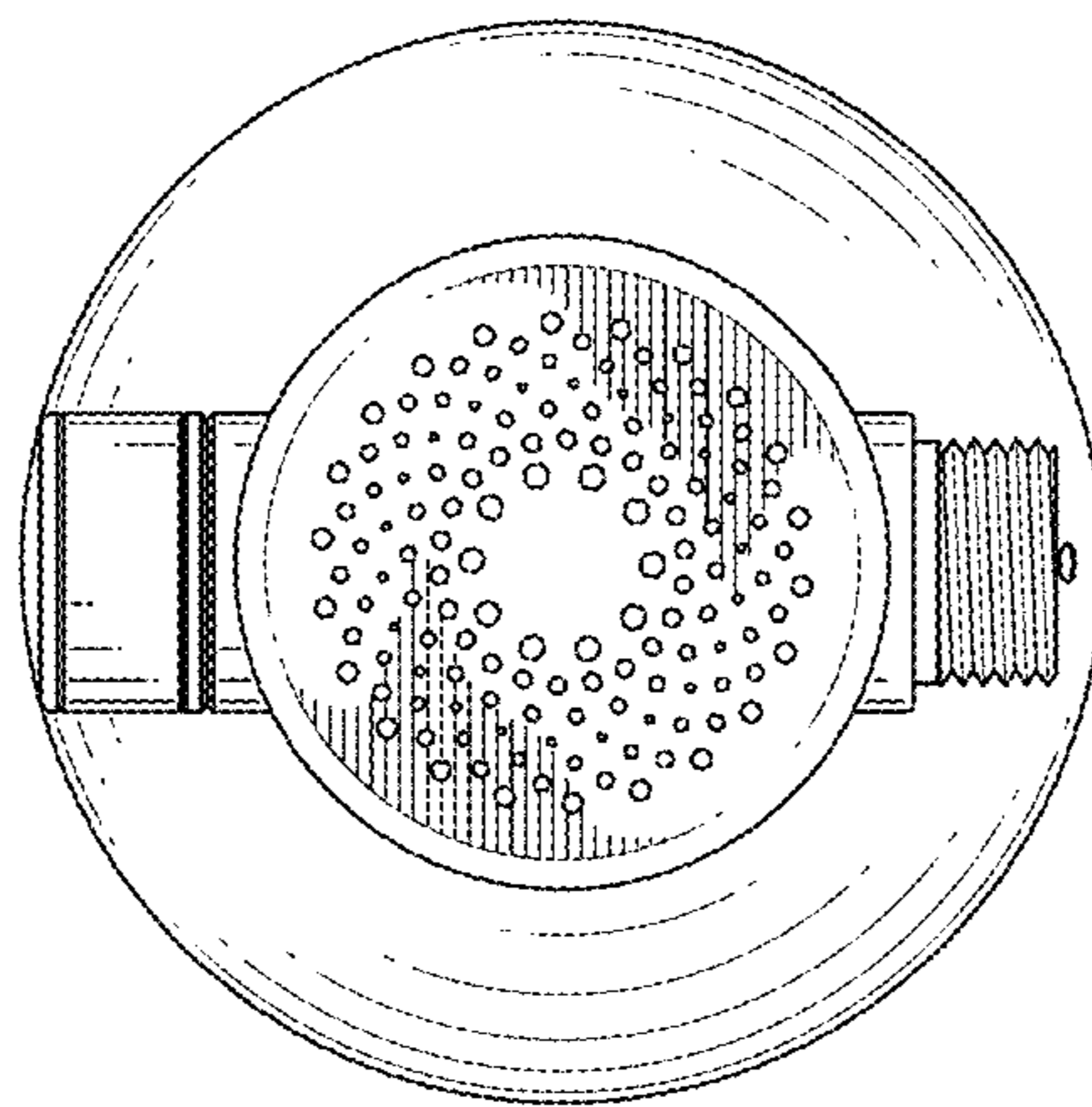


FIG. 6