



US00D805160S

(12) **United States Design Patent**  
**Goldy**

(10) **Patent No.:** **US D805,160 S**

(45) **Date of Patent:** **\*\* Dec. 12, 2017**

(54) **PORTABLE FISHING ROD AND REEL**

D550,324 S \* 9/2007 Mullen ..... D22/138  
D607,531 S \* 1/2010 Chen ..... D22/137

(71) Applicant: **Robert Goldy**, New York, NY (US)

\* cited by examiner

(72) Inventor: **Robert Goldy**, New York, NY (US)

*Primary Examiner* — Catherine R Oliver-Garcia

(73) Assignee: **Robert Goldy**, New York, NY (US)

(74) *Attorney, Agent, or Firm* — Dinsmore & Shohl LLP

(\*\*) Term: **15 Years**

(57) **CLAIM**

The ornamental design for a portable fishing rod & reel, as shown and described.

(21) Appl. No.: **29/548,115**

**DESCRIPTION**

(22) Filed: **Dec. 10, 2015**

(51) **LOC (10) Cl.** ..... **22-05**

(52) **U.S. Cl.**

USPC ..... **D22/138**

(58) **Field of Classification Search**

USPC ..... D22/137-142; 43/18.1 R, 18.5, 19-23,  
43/25.2; 242/223-224, 229, 241, 311

CPC ..... A01K 87/00

See application file for complete search history.

FIG. 1 is a perspective view of a portable fishing rod and reel showing the new design;

FIG. 2 is a right elevation view of the portable fishing rod & reel of FIG. 1;

FIG. 3 is a left elevation view of the portable fishing rod & reel of FIG. 1;

FIG. 4 is a rear elevation view of the portable fishing rod & reel of FIG. 1;

FIG. 5 is a front elevation view of the portable fishing rod & reel of FIG. 1;

FIG. 6 is a top view of the portable fishing rod & reel of FIG. 1; and,

FIG. 7 is a bottom view of the portable fishing rod & reel of FIG. 1.

The broken lines are for illustrative purposes only and form no part of the claimed design.

(56) **References Cited**

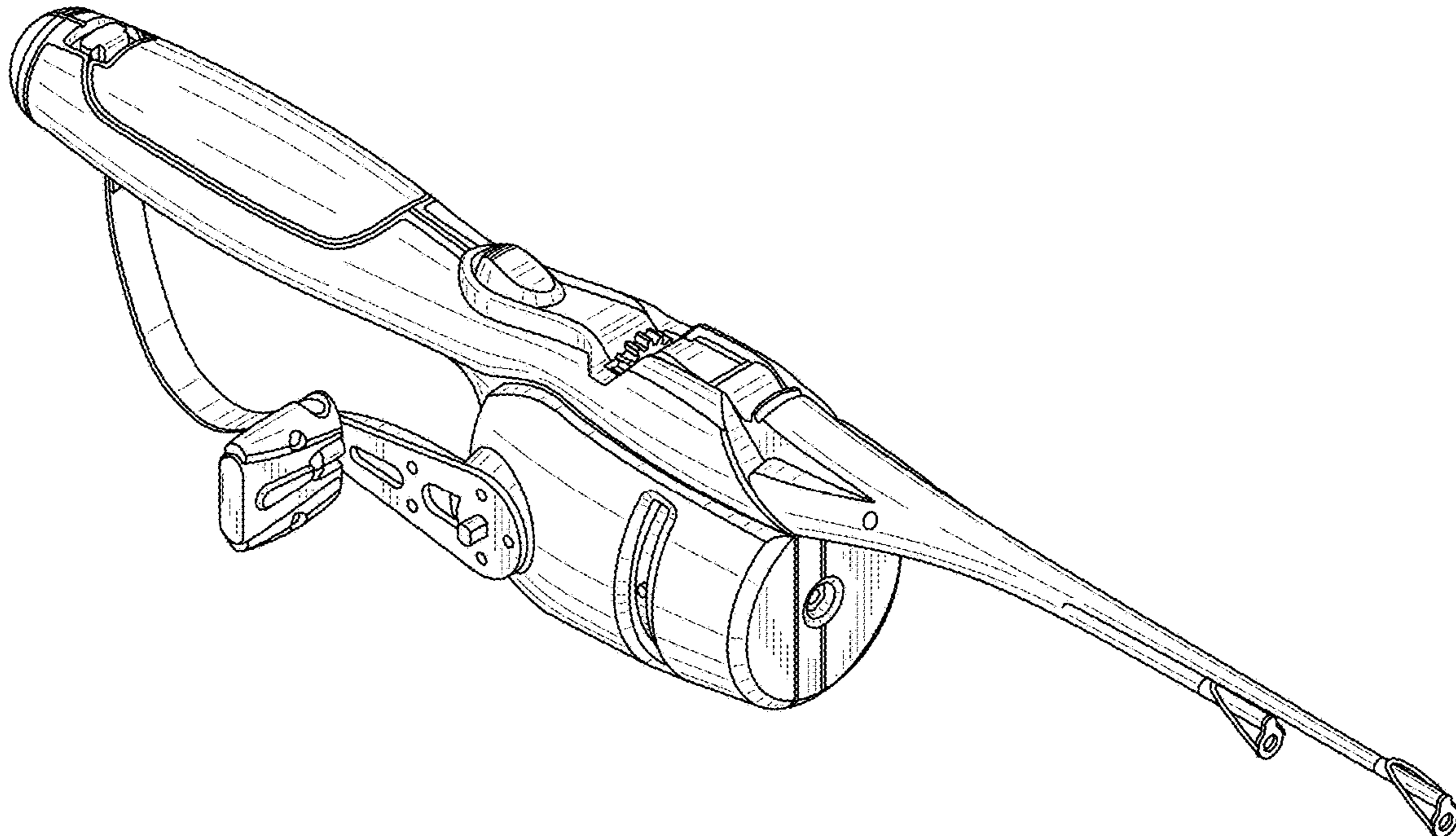
**U.S. PATENT DOCUMENTS**

D396,262 S \* 7/1998 Burdick ..... D22/138

D466,580 S \* 12/2002 Lu ..... D22/137

D518,868 S \* 4/2006 von Mohr ..... D22/137

**1 Claim, 6 Drawing Sheets**



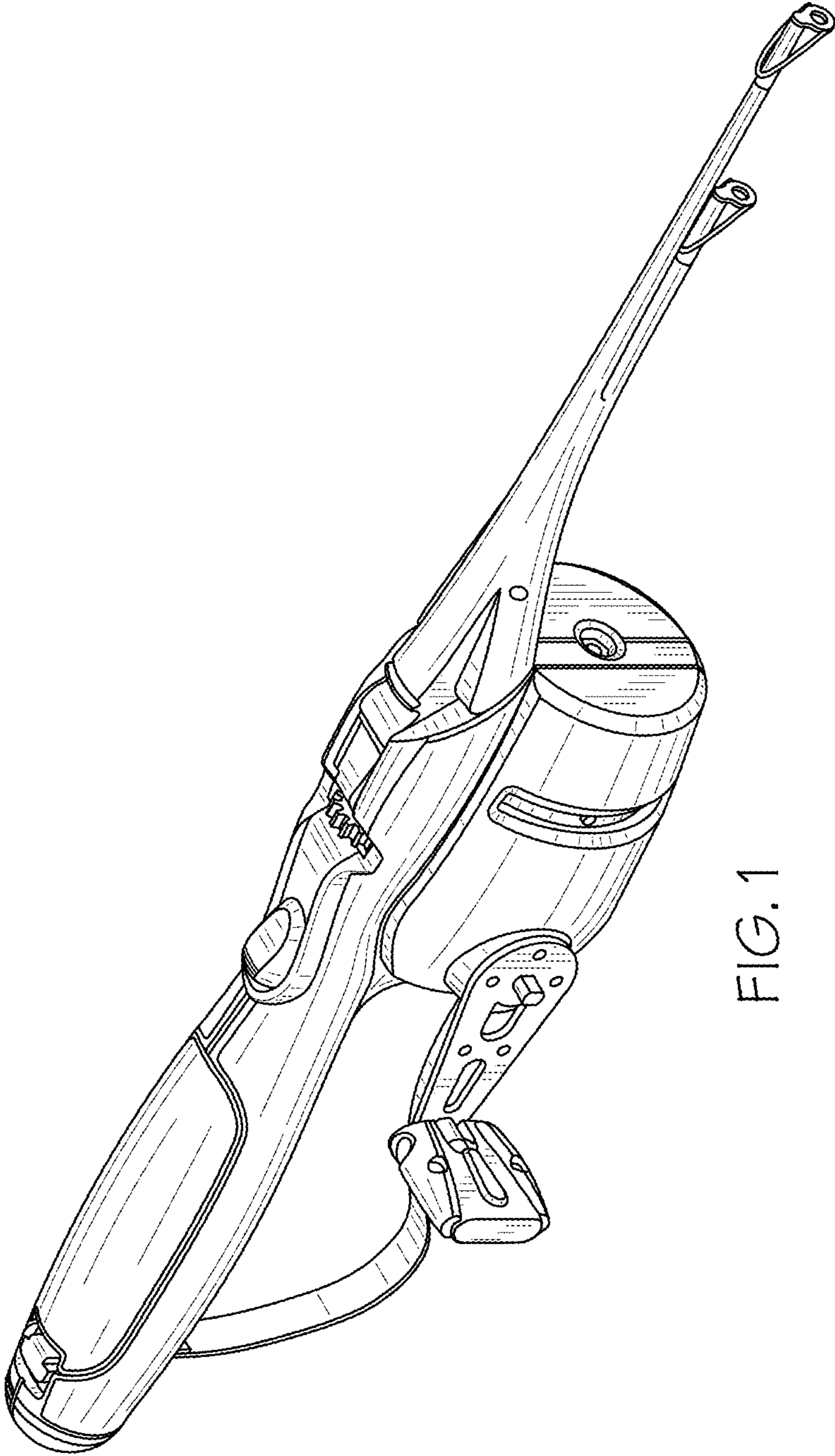


FIG. 1

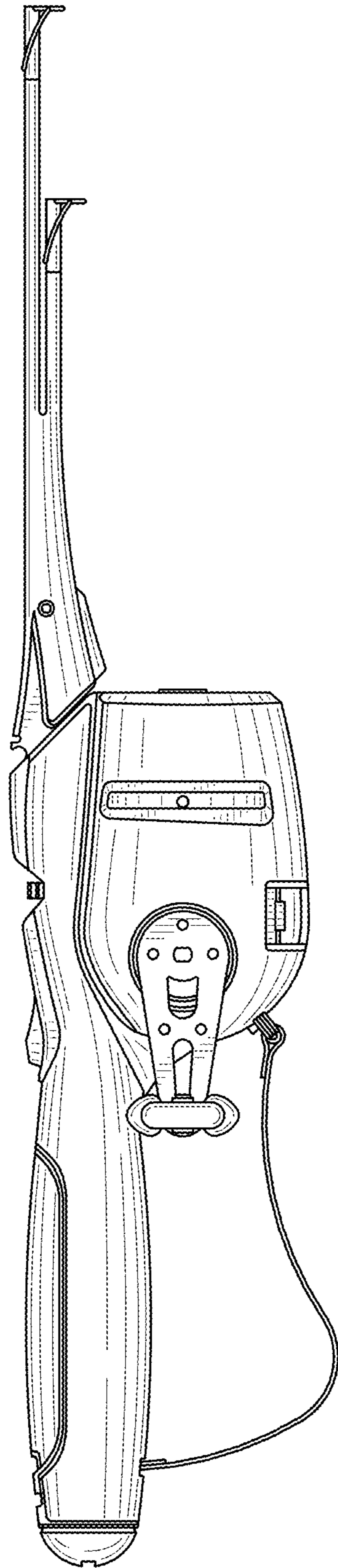


FIG. 2

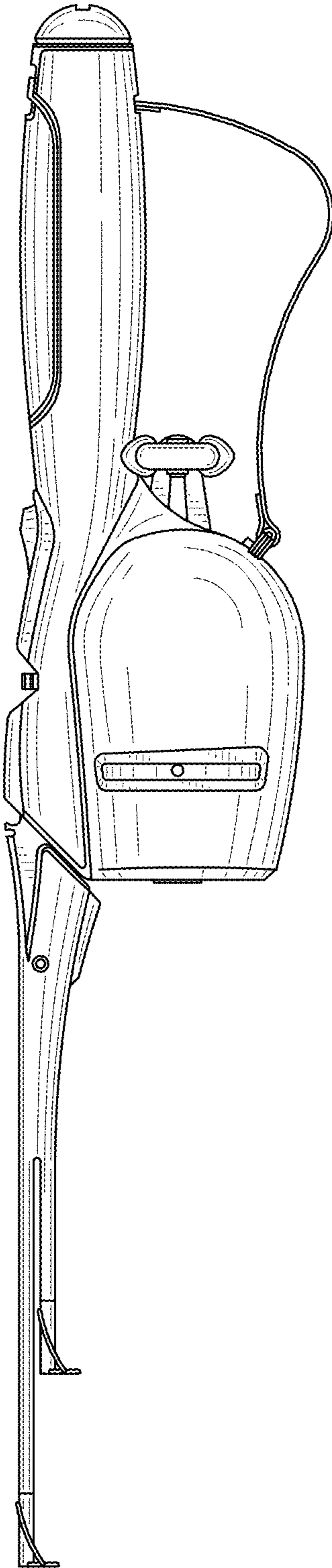


FIG. 3

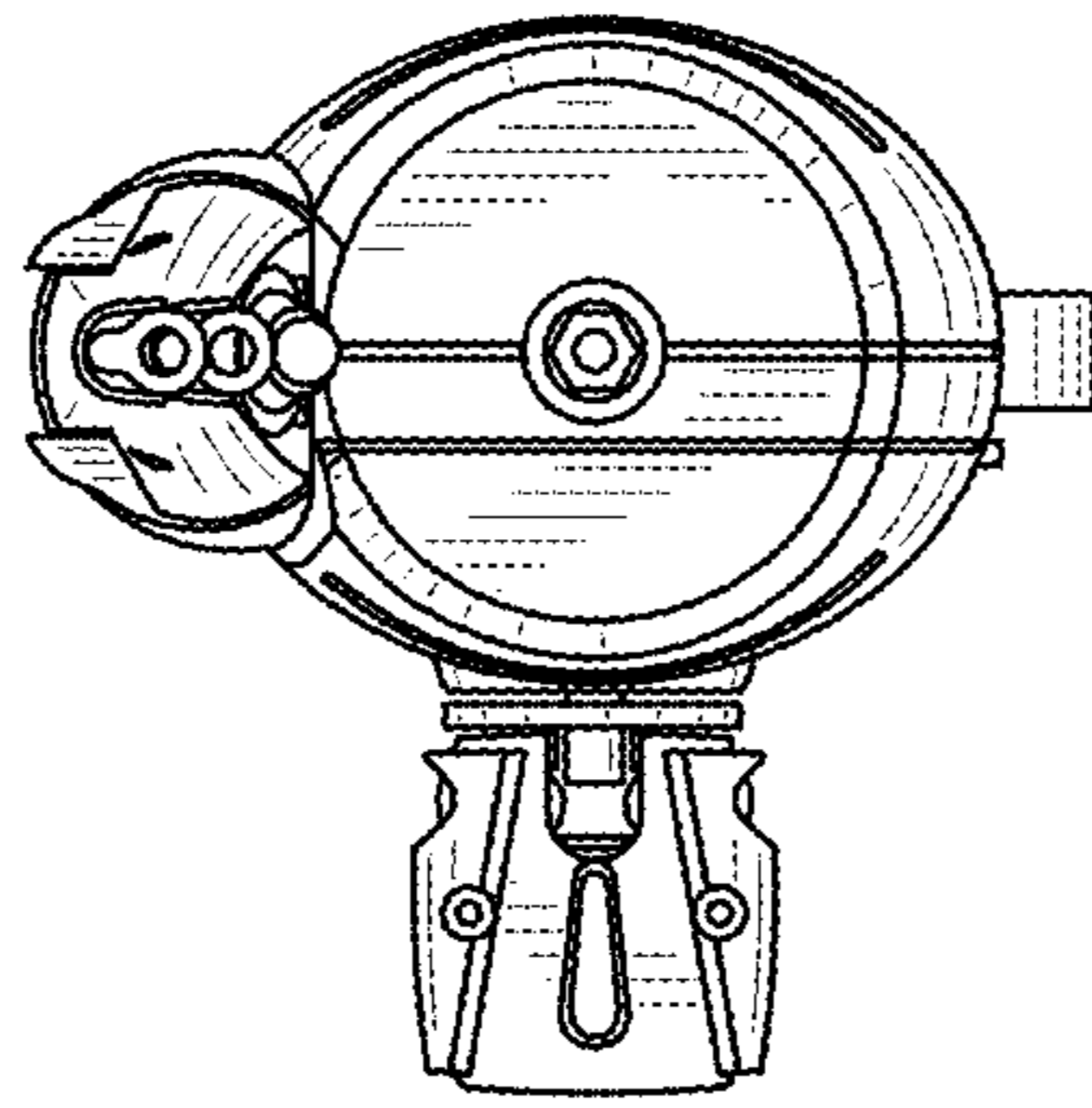


FIG. 5

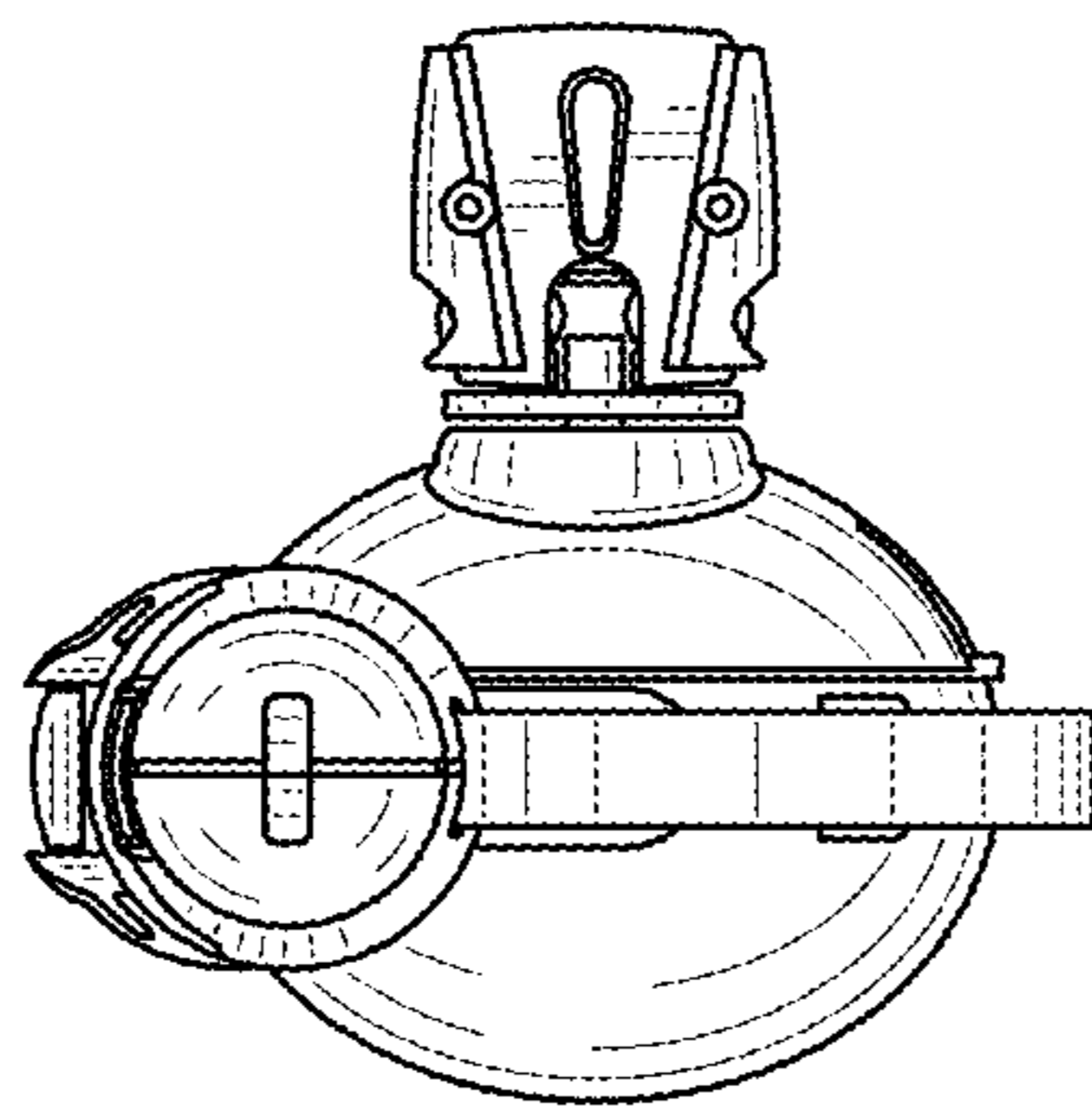


FIG. 4

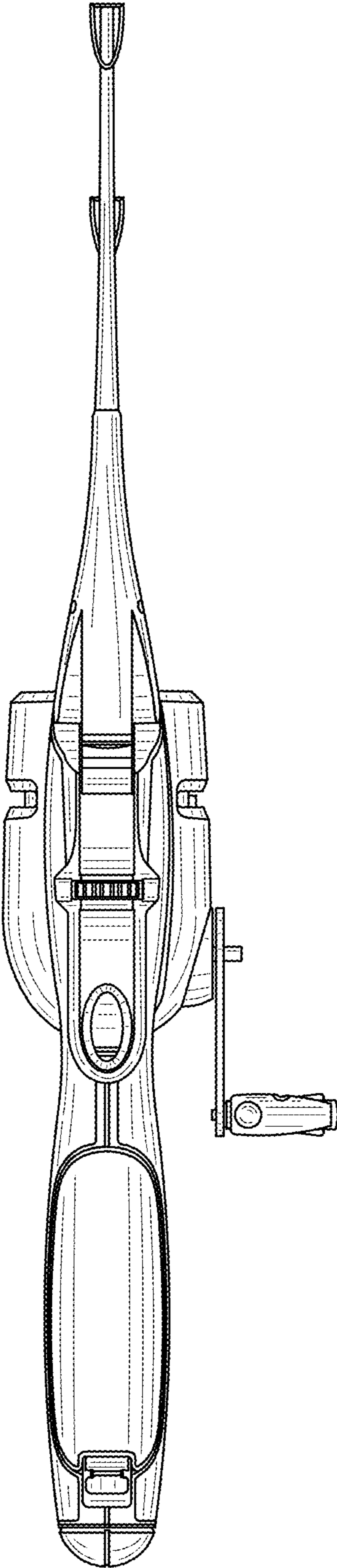


FIG. 6

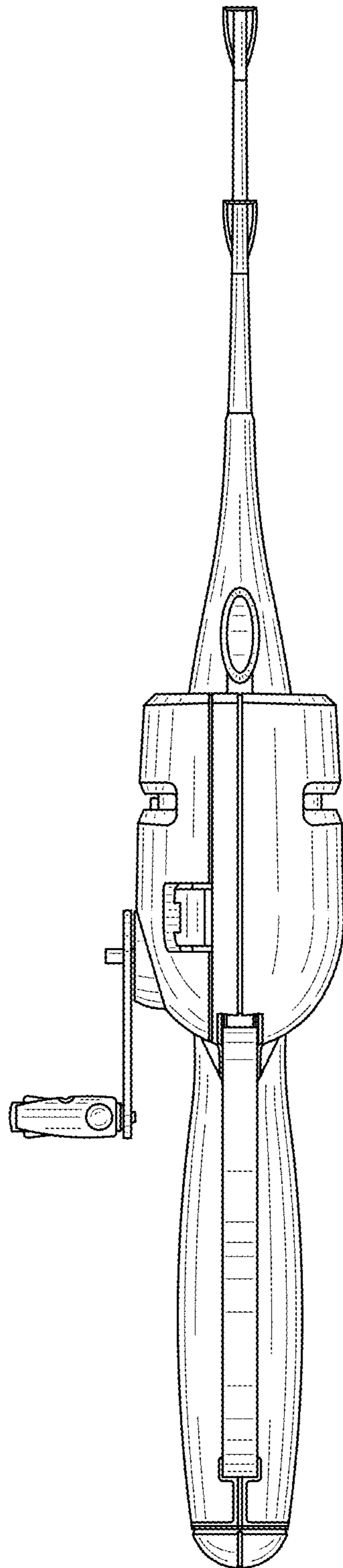


FIG. 7