



US00D805158S

(12) **United States Design Patent** (10) **Patent No.:** **US D805,158 S**
Pennington (45) **Date of Patent:** **** *Dec. 12, 2017**

(54) **STUN GUN CANE**
(71) Applicant: **Billy Pennington**, Little Rock, AR (US)
(72) Inventor: **Billy Pennington**, Little Rock, AR (US)
(*) Notice: This patent is subject to a terminal disclaimer.
(**) Term: **15 Years**
(21) Appl. No.: **29/560,255**
(22) Filed: **Apr. 5, 2016**
(51) **LOC (10) Cl.** **22-02**
(52) **U.S. Cl.**
USPC **D22/117**
(58) **Field of Classification Search**
USPC D22/117; D3/5-17; 222/78-79, 175,
222/192, 402.1, 402.11; 135/65-75;
42/52
CPC A45B 1/00; A45B 3/00; A45B 3/04; A61H
3/00; A61H 3/02; A61H 2003/0211; F41C
9/04
See application file for complete search history.

D620,696 S * 8/2010 Alacar, Jr. D3/7
D690,927 S * 10/2013 Jones D3/7
D693,565 S * 11/2013 Chan D3/7
D767,874 S * 10/2016 Berberian D3/7

* cited by examiner

Primary Examiner — Catherine R Oliver-Garcia
(74) *Attorney, Agent, or Firm* — Joe D. Calhoun

(57) **CLAIM**

I claim the ornamental design for a stun gun cane, as shown and described.

DESCRIPTION

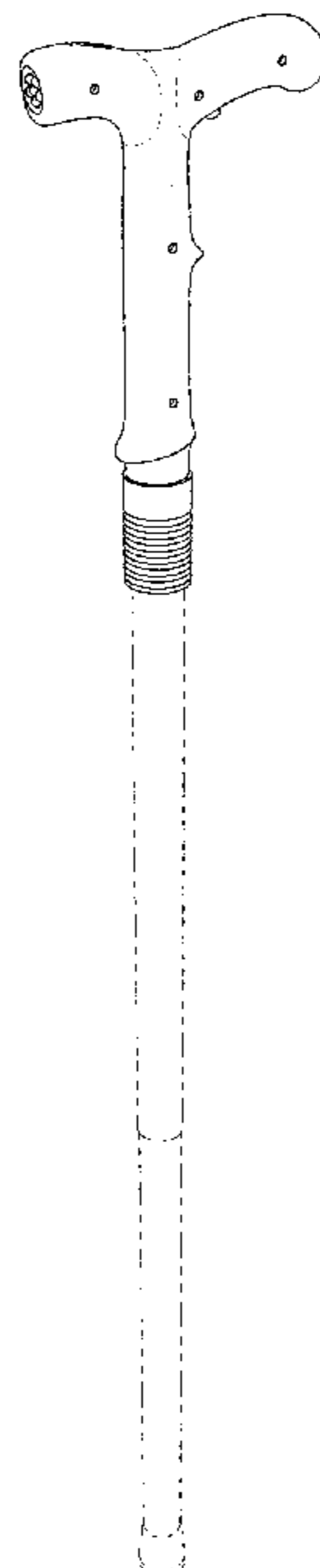
FIG. 1 is a perspective view of a stun gun cane showing my new design.
FIG. 2 is a perspective view thereof, with its handle portion disassembled from its lower portion.
FIG. 3 is an enlarged view of the handle portion depicted in FIG. 2.
FIG. 4 is a right side elevation view of the handle portion depicted in FIG. 3.
FIG. 5 is a left side elevation view of the handle portion depicted in FIG. 3.
FIG. 6 is a front side elevation view of the handle portion depicted in FIG. 3.
FIG. 7 is a rear side elevation view of the handle portion depicted in FIG. 3.
FIG. 8 is a top plan view of the handle portion depicted in FIG. 3; and,
FIG. 9 is a bottom plan view of handle portion depicted in FIG. 3.
The broken lines shown in the drawings are included for the purpose of illustrating portions of the stun gun cane that form no part of the claimed design.

1 Claim, 7 Drawing Sheets

(56) **References Cited**

U.S. PATENT DOCUMENTS

19,674 A * 3/1858 Beckwith F41C 9/04
42/52
D290,784 S * 7/1987 Moshiri D3/7
D325,297 S * 4/1992 Lipscomb D22/117
D427,763 S * 7/2000 Kikuchi D3/7
D535,814 S * 1/2007 Siteman D22/117
D555,350 S * 11/2007 Graves D3/7
D555,892 S * 11/2007 Carroll D3/7
D611,114 S * 3/2010 Pennington D22/117



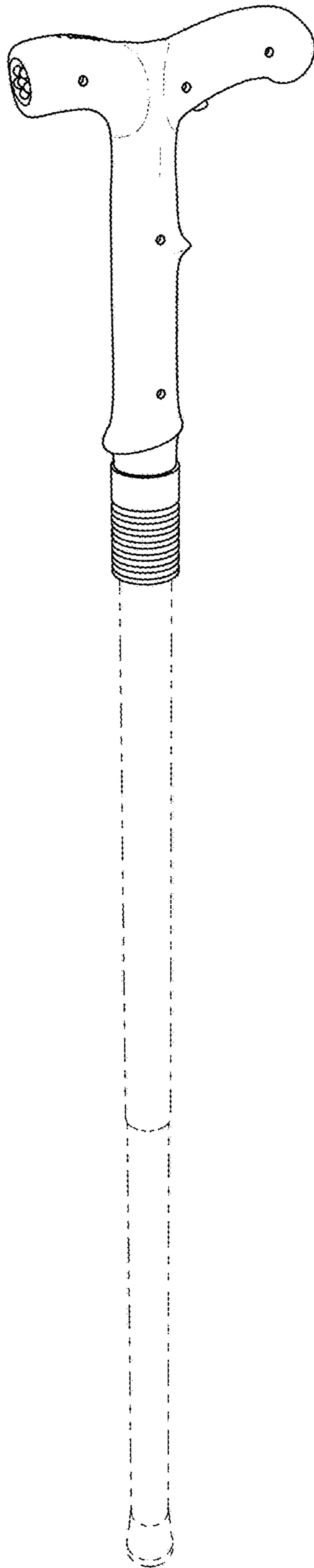


FIG. 1

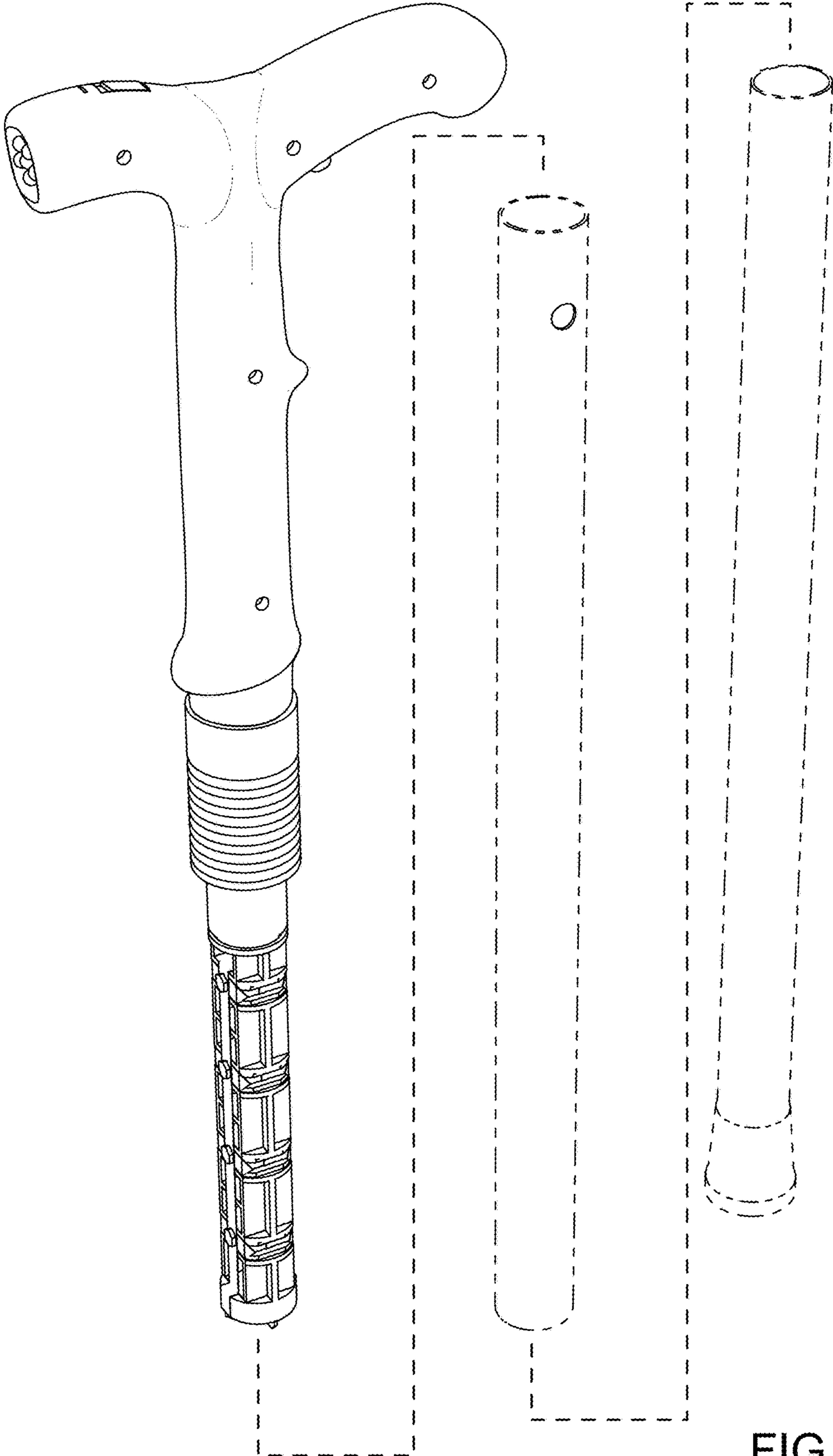


FIG. 2

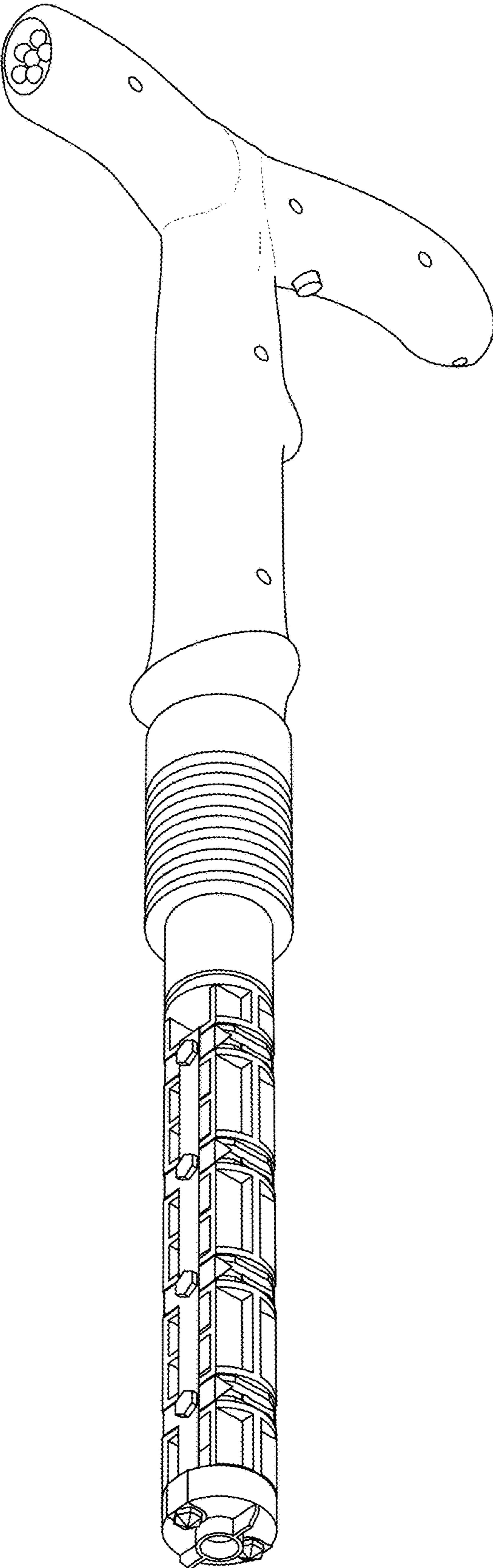


FIG. 3

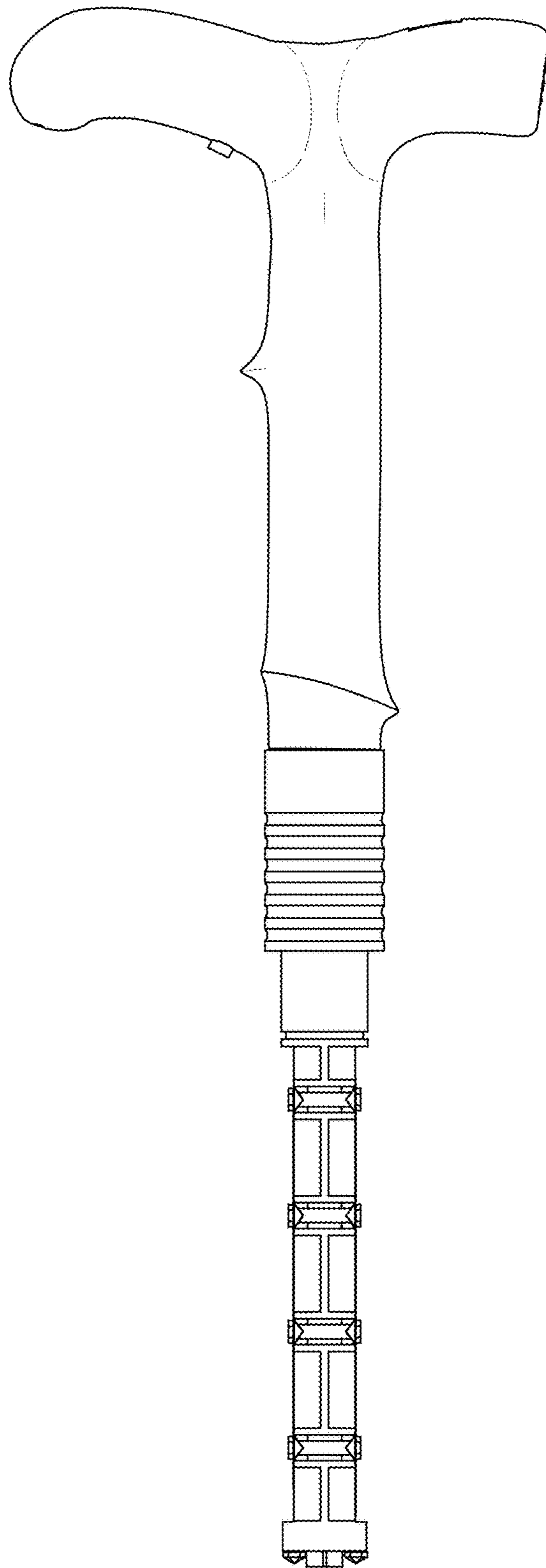


FIG. 4

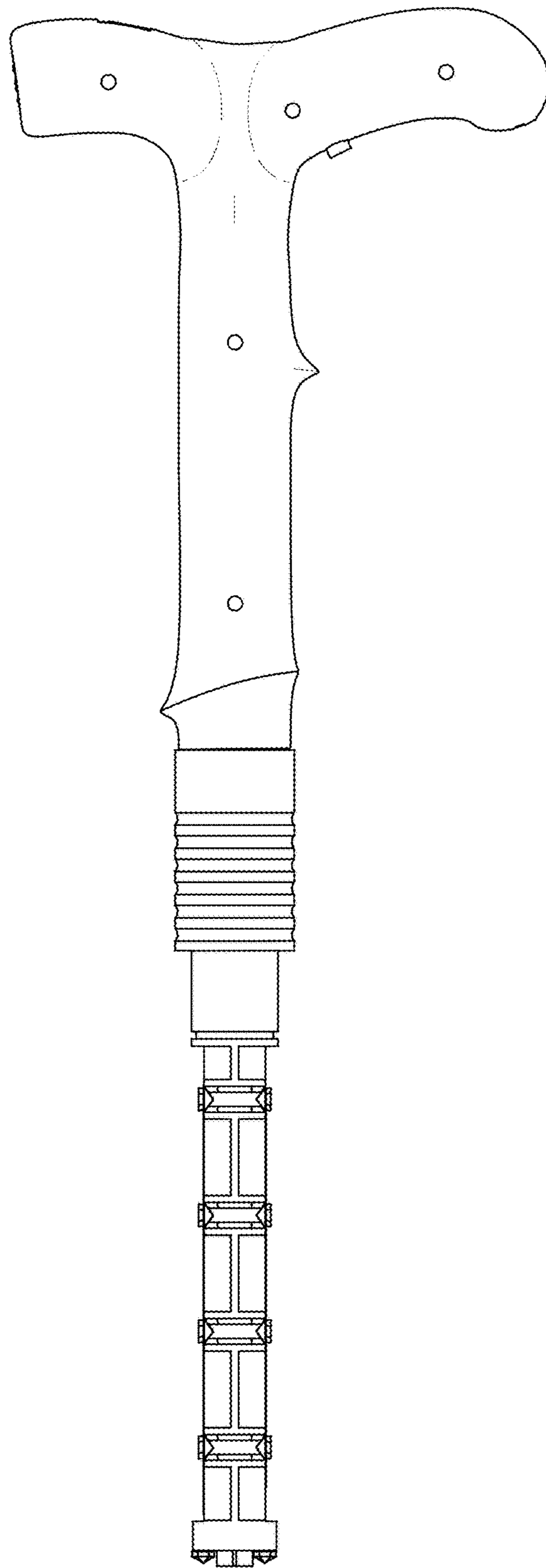


FIG. 5

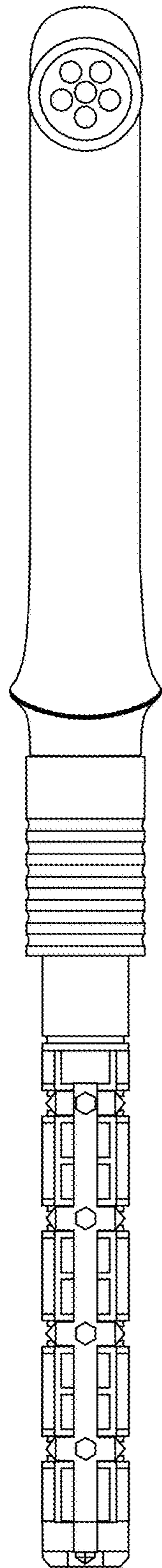


FIG. 6

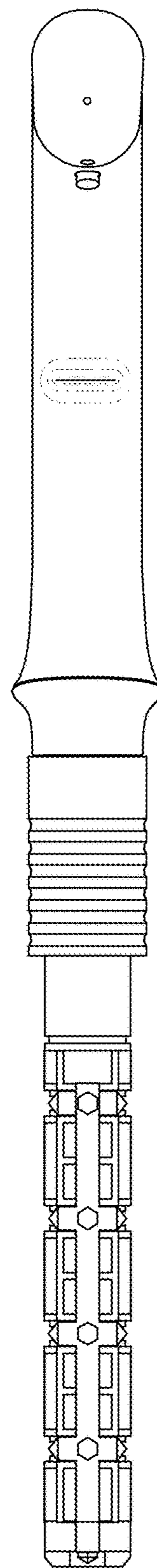


FIG. 7

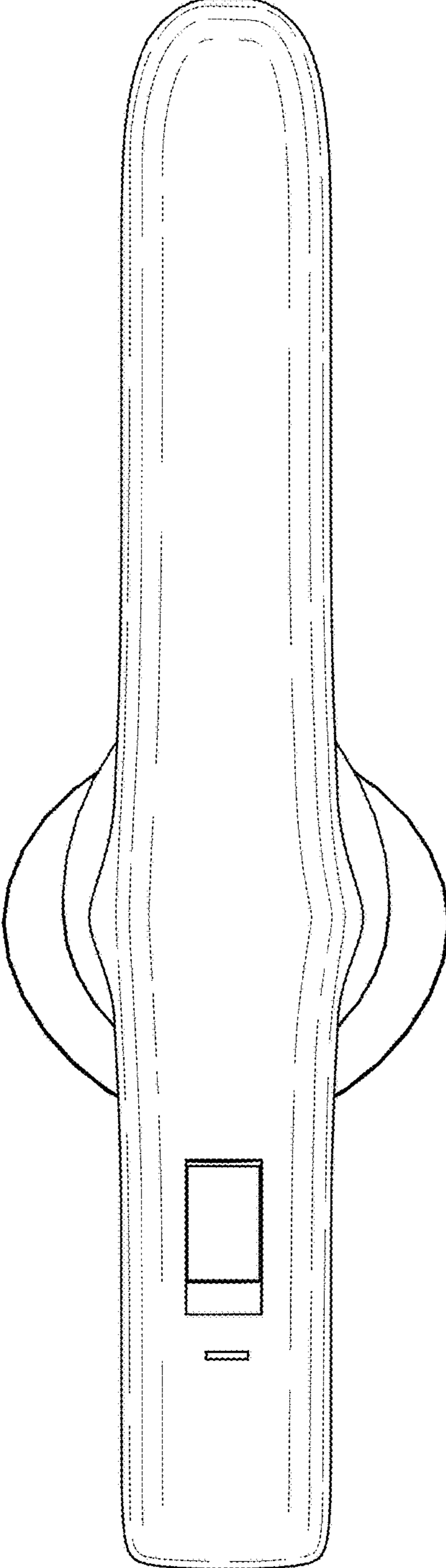


FIG. 8

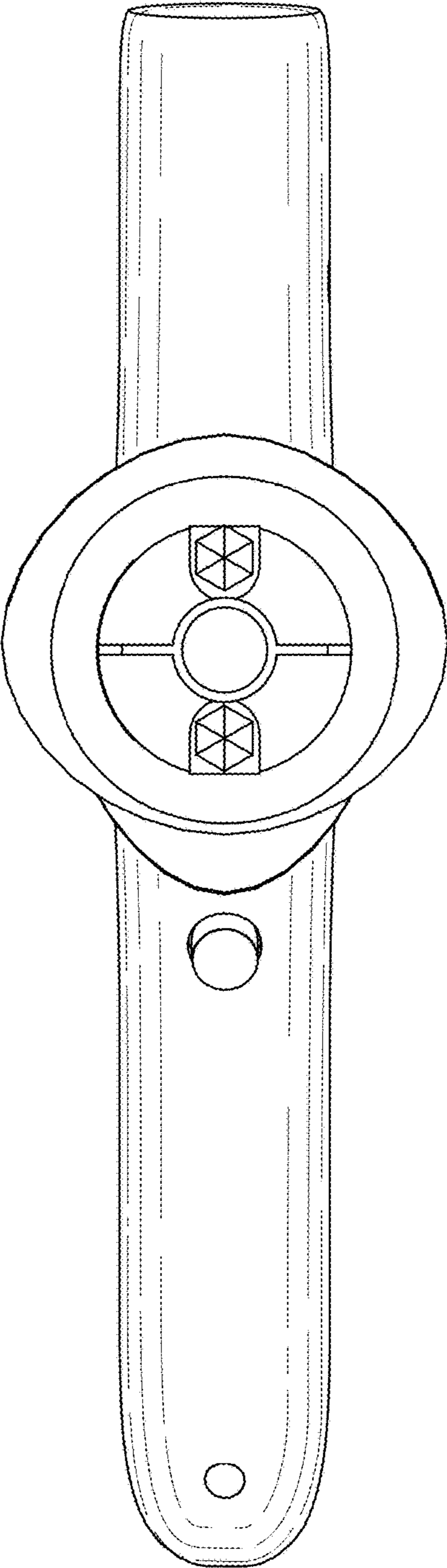


FIG. 9