



US00D805157S

(12) **United States Design Patent**  
**Pennington**

(10) **Patent No.:** **US D805,157 S**

(45) **Date of Patent:** **\*\* Dec. 12, 2017**

(54) **STUN GUN**

(71) Applicant: **Billy Pennington**, Little Rock, AR (US)

(72) Inventor: **Billy Pennington**, Little Rock, AR (US)

(\*\*) Term: **15 Years**

(21) Appl. No.: **29/551,569**

(22) Filed: **Jan. 14, 2016**

(51) **LOC (10) Cl.** ..... **22-02**

(52) **U.S. Cl.**  
USPC ..... **D22/117**

(58) **Field of Classification Search**  
USPC ..... D22/117-120; 222/153.03, 153.13, 182,  
222/325, 402.11; 224/914; D21/333;  
42/1.01, 1.08, 1.09, 1.12  
CPC .... A45B 1/00; A45B 3/00; A45B 3/04; A61H  
3/00; A61H 3/02; A61H 2003/0211; F41C  
9/04

See application file for complete search history.

(56) **References Cited**

**U.S. PATENT DOCUMENTS**

D226,908 S \* 5/1973 Tadlock ..... D22/117  
D585,520 S \* 1/2009 Teig ..... D22/117  
D636,050 S \* 4/2011 Kaufman ..... D22/117

D654,118 S \* 2/2012 Sogabe ..... D21/333  
D661,771 S \* 6/2012 Nawaz ..... D22/117  
D688,314 S \* 8/2013 Slayton ..... D21/333  
D688,769 S \* 8/2013 Lord ..... D22/117

\* cited by examiner

*Primary Examiner* — Catherine R Oliver-Garcia

(74) *Attorney, Agent, or Firm* — Joe D. Calhoun

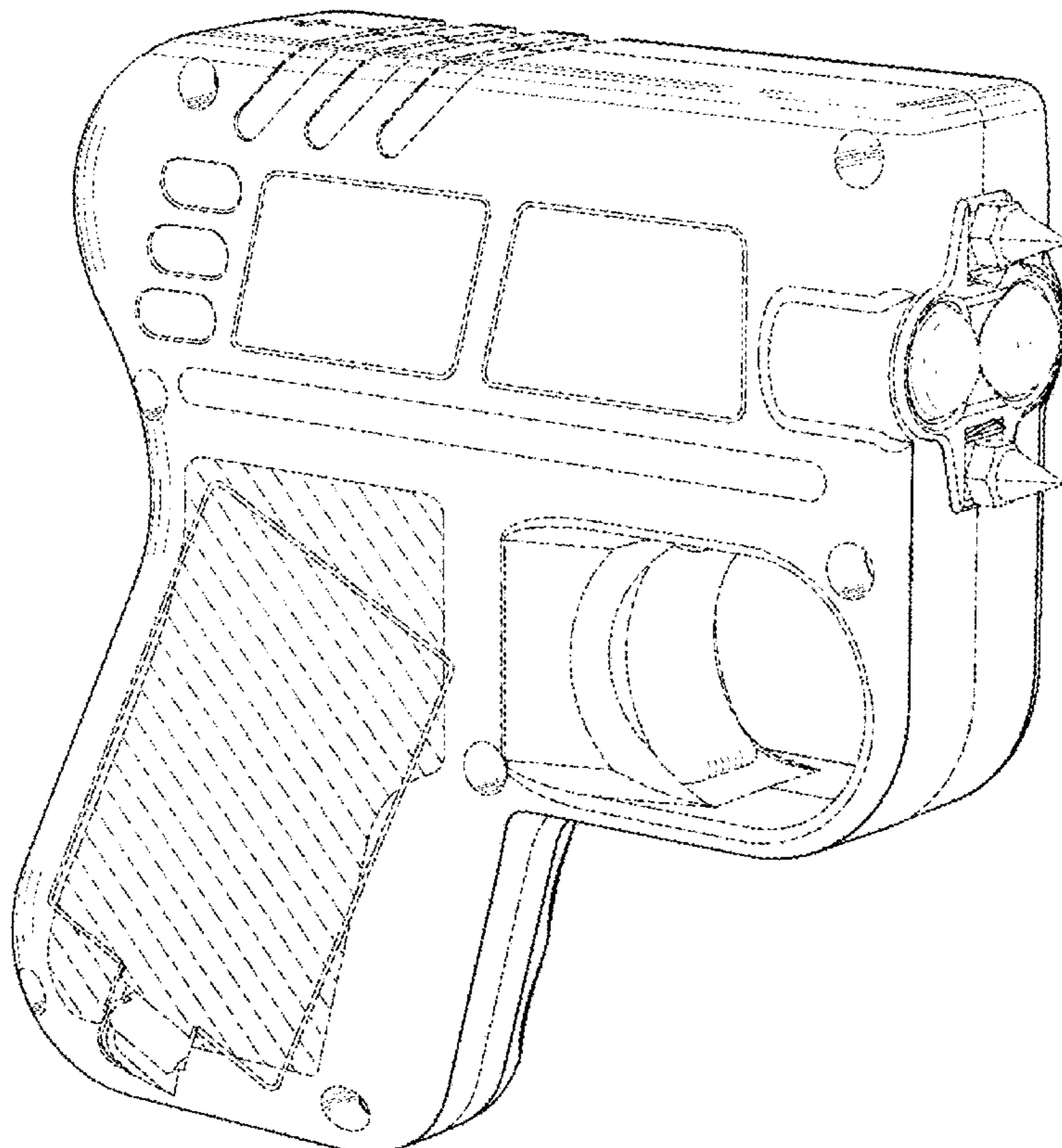
(57) **CLAIM**

The ornamental design for a stun gun, as shown and described.

**DESCRIPTION**

FIG. 1 is a front perspective view of a stun gun.  
FIG. 2 is a left side elevation view of the stun gun of FIG. 1.  
FIG. 3 is a right side elevation view from the stun gun of FIG. 1.  
FIG. 4 is a top plan view of the stun gun of FIG. 1.  
FIG. 5 is a bottom plan view of the stun gun of FIG. 1.  
FIG. 6 is a front elevation view of the stun gun of FIG. 1; and,  
FIG. 7 is a rear elevation view of the stun gun of FIG. 1.  
The broken lines shown in the drawings are included for the purpose of illustrating portions of the stun gun that form no part of the claimed design.

**1 Claim, 5 Drawing Sheets**



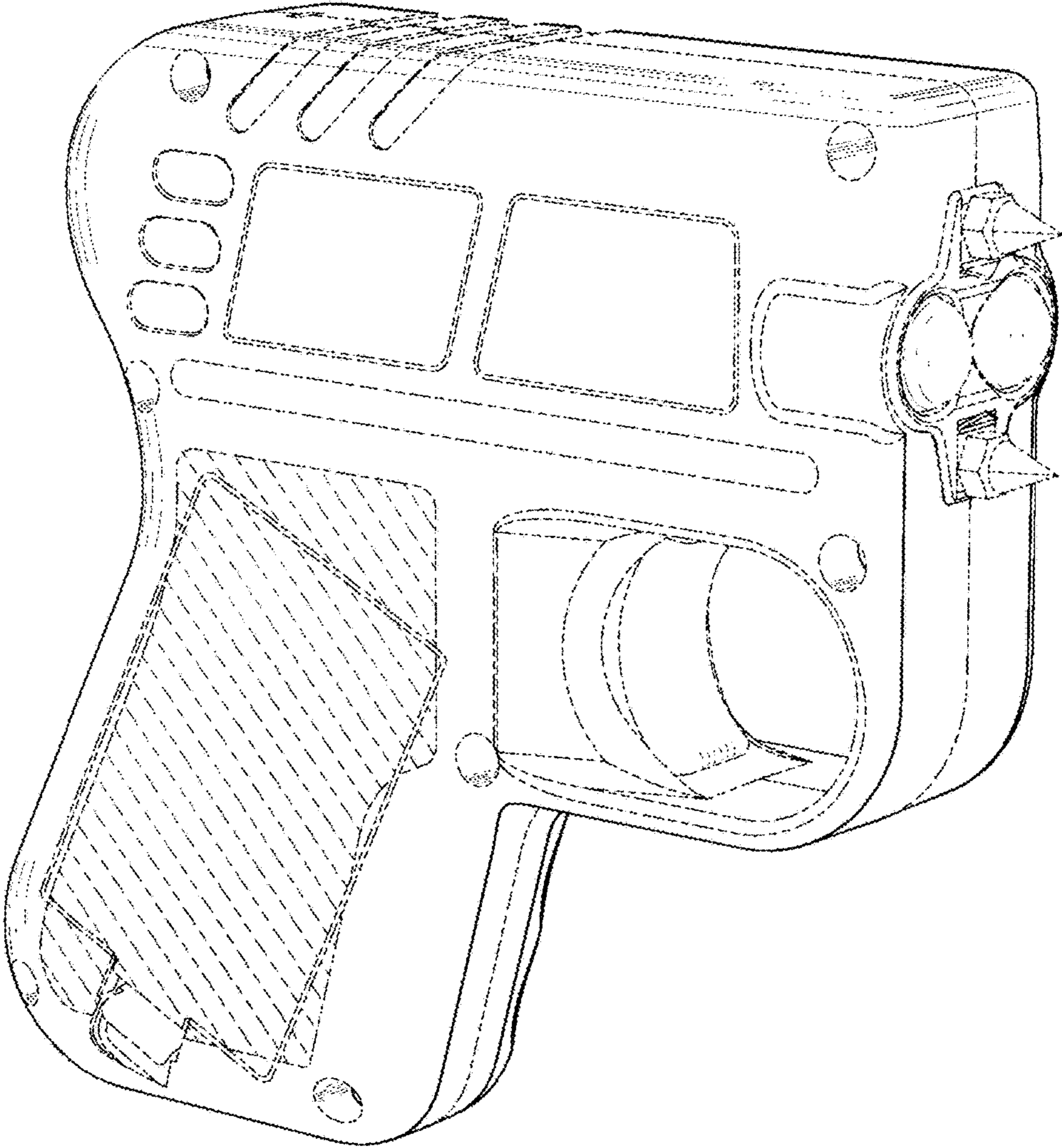


FIG. 1

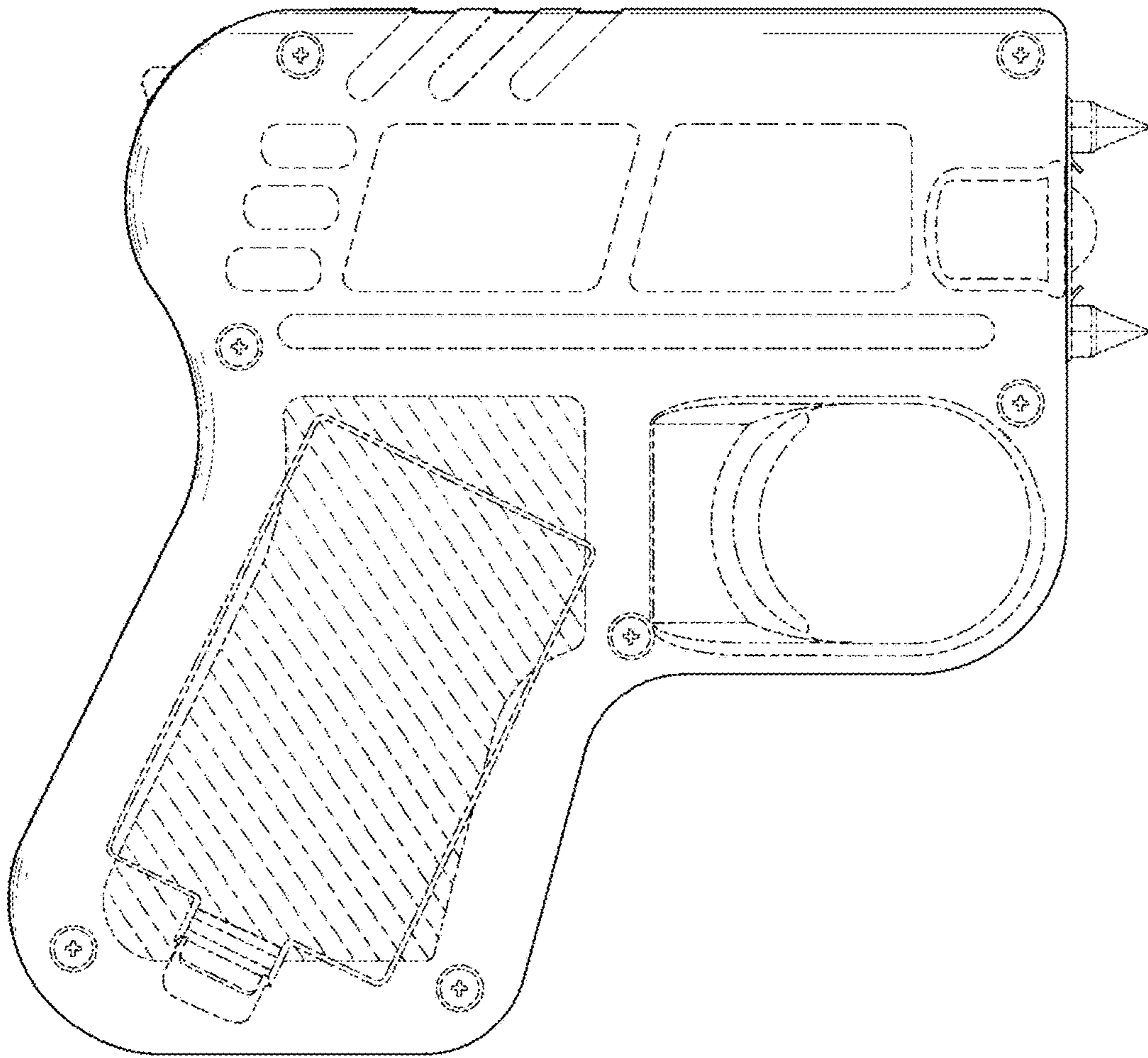


FIG. 2

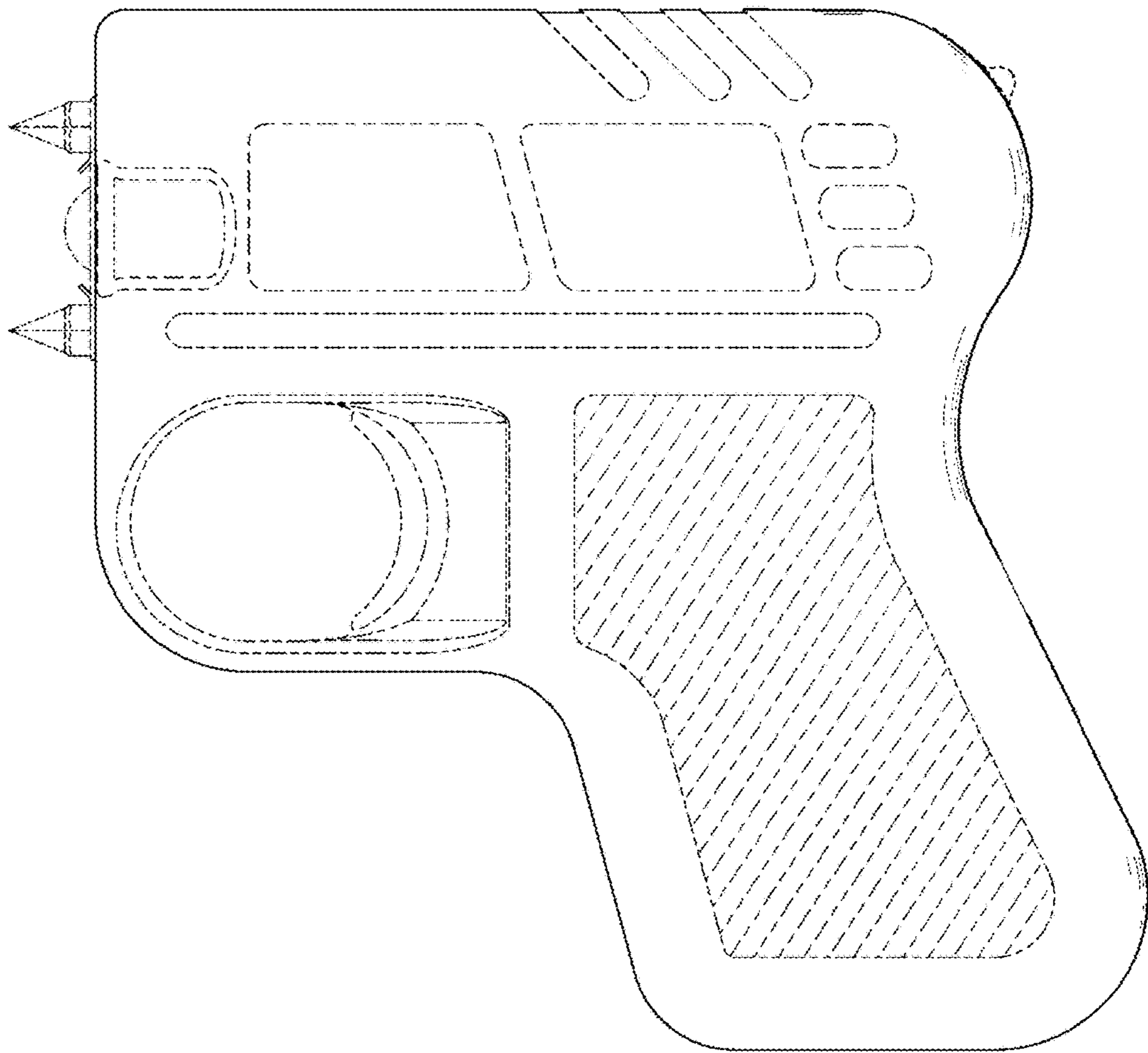


FIG. 3

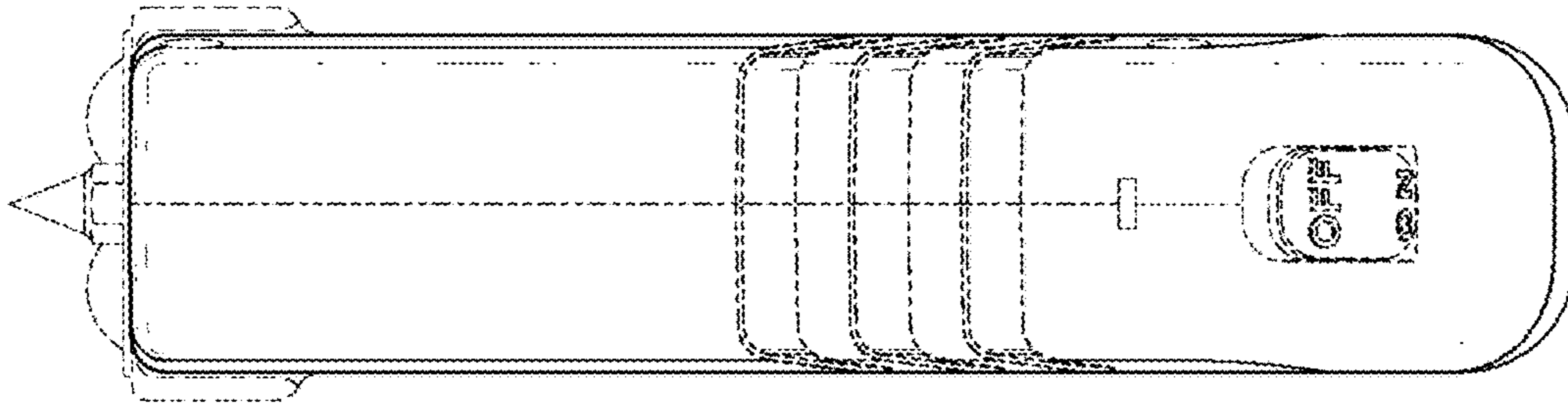


FIG. 4

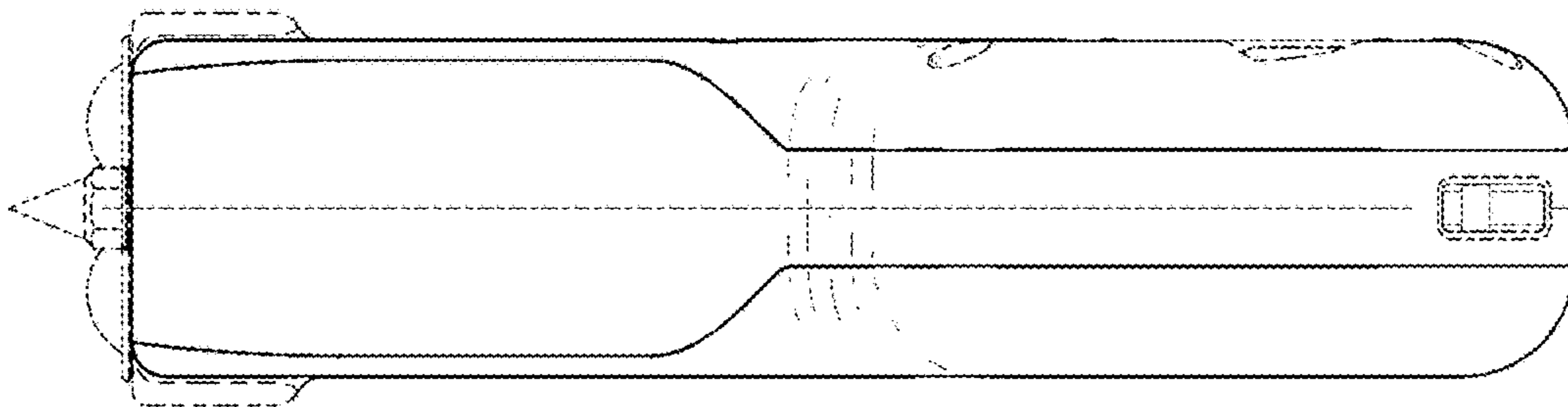


FIG. 5

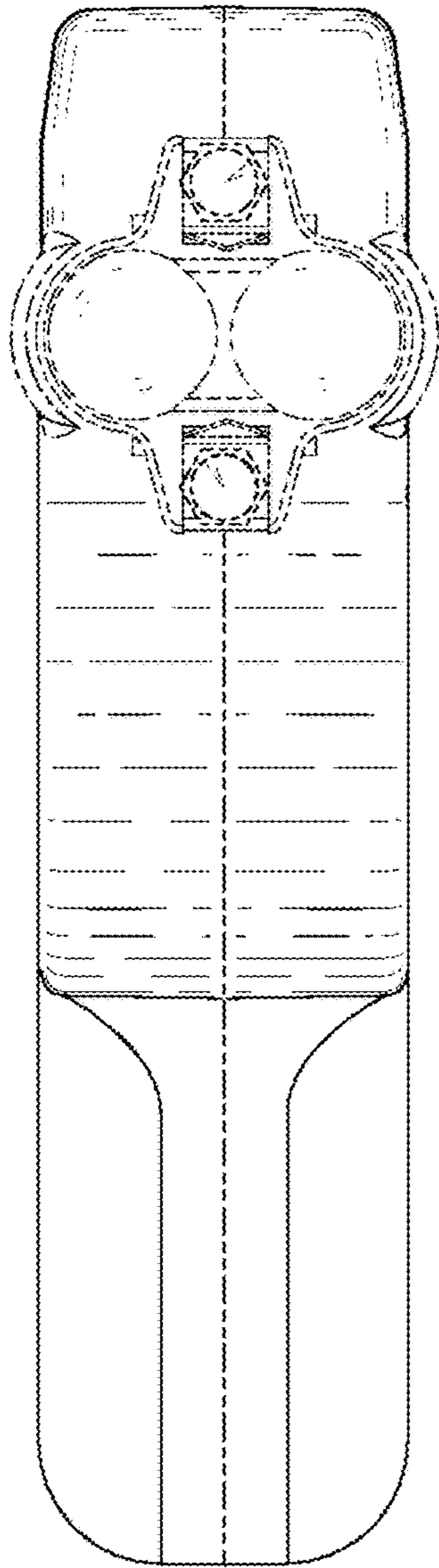


FIG. 6

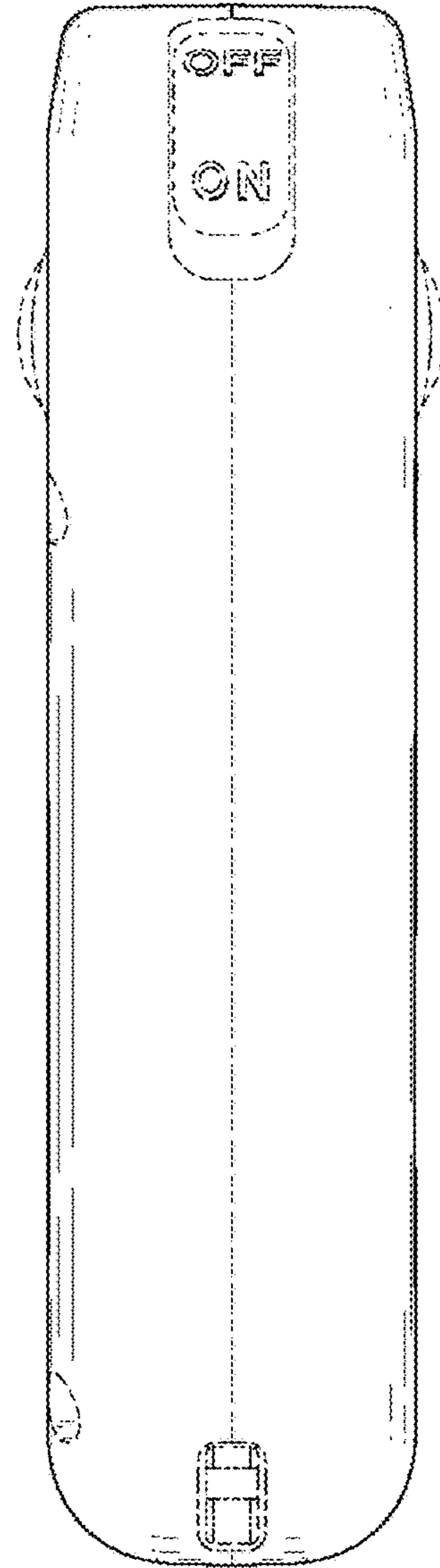


FIG. 7