



US00D805154S

(12) **United States Design Patent** (10) **Patent No.:** **US D805,154 S**
Steele et al. (45) **Date of Patent:** **** Dec. 12, 2017**

(54) **RIFLE LOWER RECEIVER**

(71) Applicant: **High Velocity Manufacturing Inc.**,
Fort Wayne, IN (US)
(72) Inventors: **Christopher R Steele**, Fort Wayne, IN
(US); **Scott A Roller**, New Haven, IN
(US); **Terrence W Corbin**, Fort Wayne,
IN (US)

(73) Assignee: **High Velocity Manufacturing, Inc.**,
Fort Wayne, IN (US)

(**) Term: **15 Years**

(21) Appl. No.: **29/556,911**

(22) Filed: **Mar. 4, 2016**

(51) **LOC (10) Cl.** **22-01**

(52) **U.S. Cl.**
USPC **D22/108**

(58) **Field of Classification Search**
USPC D22/100, 101, 103, 105, 108, 109, 110;
D21/572-575; D14/418; 42/124, 125,
42/126, 127, 128, 10, 83, 85, 86, 87, 90,
42/113, 117, 141, 75.01, 75.02, 75.03,
42/75.05, 50, 51, 71.01, 94, 106;
362/110
CPC F41G 11/001; F41G 11/003; F41G 11/004;
F41G 11/005; F41G 11/006; F41G 1/00;
F41G 1/065; F41G 1/08; F41G 1/17;
F41G 1/42; F41G 1/32; F41G 1/35; F41G
1/38; F41G 1/02; F41G 1/12; F41G 1/16;
F41G 1/345; F41G 1/425; F41G 3/00;
F41A 21/482; F41A 21/488; F41A 21/00;
F41A 11/00; F41A 11/02; F41A 11/04;
F41A 3/66; F41A 3/72; F41A 9/61; F41A
9/62; F41A 9/65; F41A 9/70; F41A 9/83;
F41A 17/38; F41C 23/04; F41C 23/10;
F41C 23/14; F41C 23/16; F41C 23/20;
F41C 7/00; F41C 27/00; G02B 23/105

See application file for complete search history.

(56) **References Cited**

U.S. PATENT DOCUMENTS

6,070,352 A * 6/2000 Daigle F41A 11/02
42/49.02

D623,253 S 9/2010 Hoffman
(Continued)

OTHER PUBLICATIONS

High Velocity Manufacturing Home Page, no date available,
[online], [site visited Dec. 16, 2016]. Retrieved from <url:http://
www.highvmfg.com/>.*

(Continued)

Primary Examiner — Jeffrey D Asch

Assistant Examiner — Tracey J Bell

(74) *Attorney, Agent, or Firm* — George Pappas

(57) **CLAIM**

The ornamental design for a rifle lower receiver, as shown
and described.

DESCRIPTION

FIG. 1 is a perspective view of a rifle lower receiver showing
the new design;

FIG. 2 is a top plan view of the rifle lower receiver shown
in FIG. 1;

FIG. 3 is a front elevation view of the rifle lower receiver
shown in FIG. 1;

FIG. 4 is a bottom plan view of the rifle lower receiver
shown in FIG. 1;

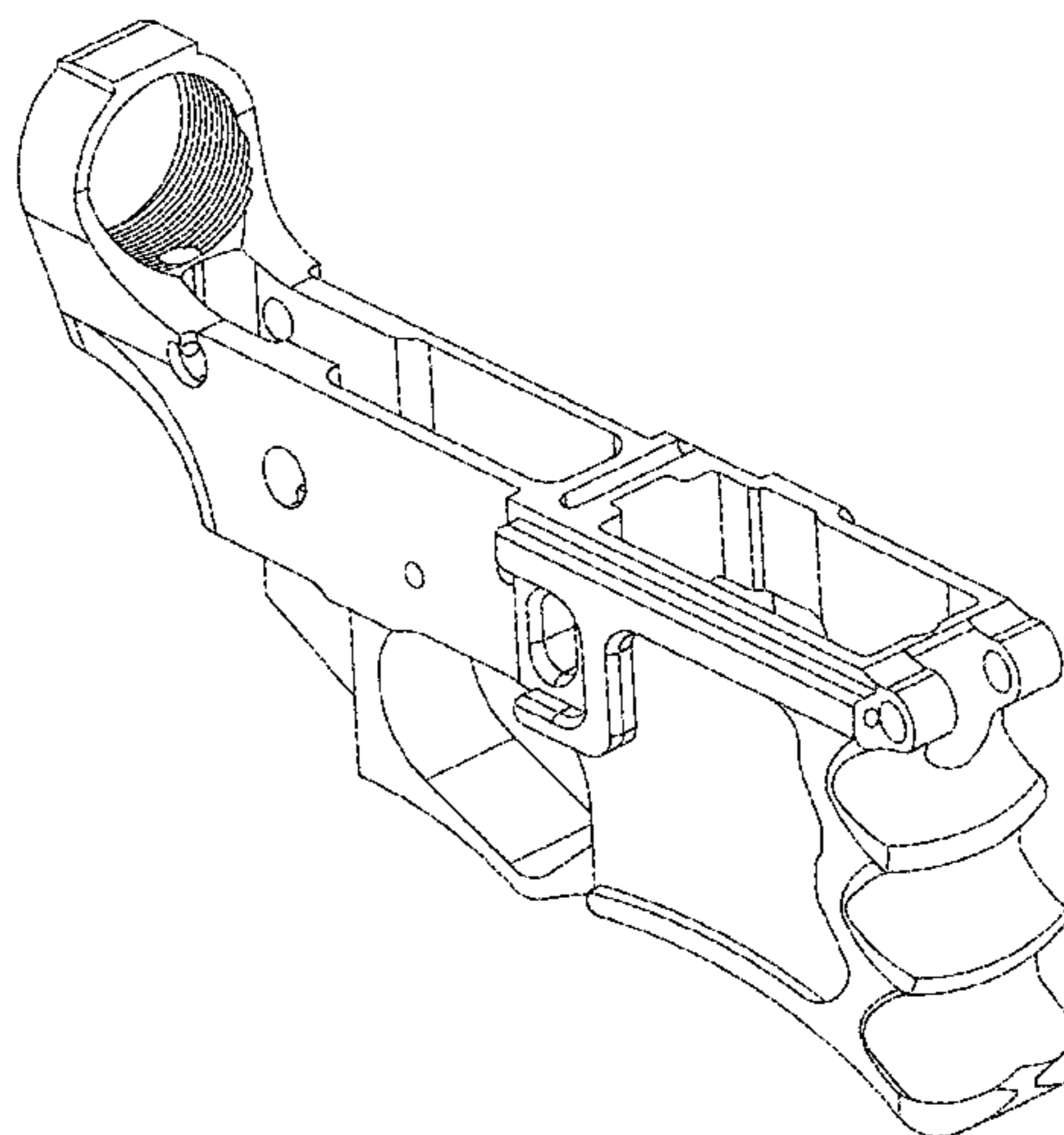
FIG. 5 is a rear elevation view of the rifle lower receiver
shown in FIG. 1;

FIG. 6 is a right side elevation view of the rifle lower
receiver shown in FIG. 1; and,

FIG. 7 is left side elevation view of the rifle lower receiver
shown in FIG. 1.

The article in which the design is embodied is a lower
receiver component part of a rifle.

1 Claim, 7 Drawing Sheets



(56)

References Cited

U.S. PATENT DOCUMENTS

7,823,312 B2 11/2010 Faifer
 D644,291 S 8/2011 Faifer
 D647,589 S 10/2011 Rogers et al.
 8,533,987 B2 9/2013 Rogers
 8,590,201 B2 11/2013 Brixius
 D708,288 S 7/2014 Bero
 D725,218 S 3/2015 Iosilevsky
 D726,862 S 4/2015 Crume, Sr.
 D726,863 S 4/2015 Crume, Sr.
 D727,454 S * 4/2015 Robinson D22/108
 9,207,041 B1 12/2015 Bast
 D755,338 S * 5/2016 Slank D22/108
 2011/0247483 A1 * 10/2011 Overstreet F41A 9/70
 89/138
 2012/0167431 A1 * 7/2012 Rogers F41C 23/16
 42/72
 2013/0227869 A1 * 9/2013 Thordsen F41C 27/00
 42/6
 2014/0053444 A1 * 2/2014 Garrett F41A 17/38
 42/6

2014/0144060 A1 * 5/2014 Thordsen F41C 23/20
 42/73
 2014/0224235 A1 * 8/2014 Liao F41A 11/00
 124/32
 2014/0230297 A1 * 8/2014 Larson, Jr. F41A 17/38
 42/6
 2014/0331535 A1 11/2014 Robinson et al.
 2015/0198395 A1 * 7/2015 Visinski F41A 3/66
 42/6
 2015/0354912 A1 * 12/2015 Miller, III F41A 19/11
 42/90
 2016/0209136 A1 * 7/2016 Schuetz F41A 11/02
 2016/0273857 A1 * 9/2016 Pettit F41A 3/66
 2016/0334177 A1 * 11/2016 Green F41A 9/70

OTHER PUBLICATIONS

High Velocity Manufacturing Mobile Photo, Dec. 13, 2015, [online], [site visited Dec. 19, 2016]. Retrieved from <url:https://www.facebook.com/Highvmfg/photos/a.1654205701458019.1073741826.1654157388129517/1689636474581608/?type=3&theater>.*

* cited by examiner

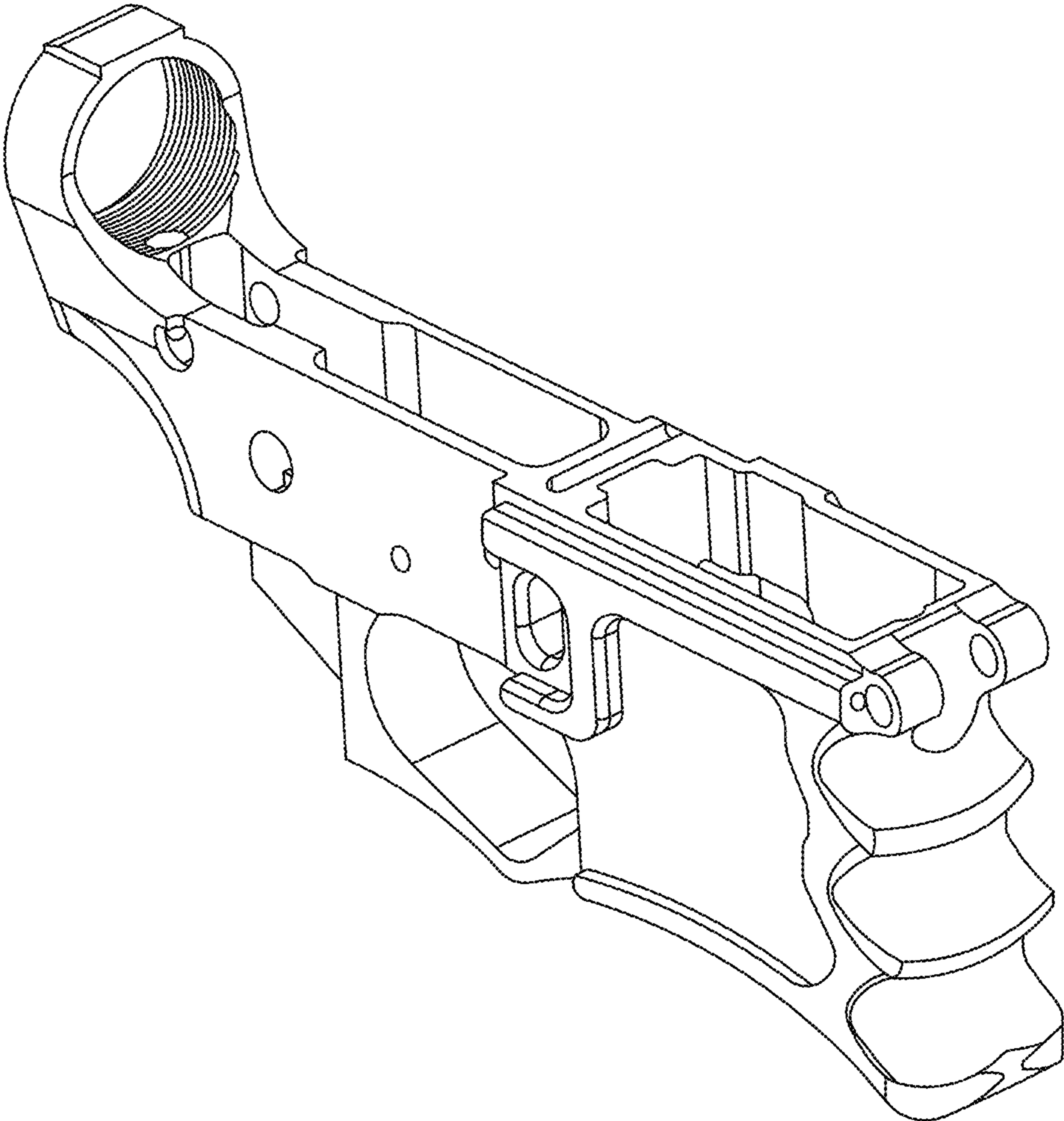


FIG. 1

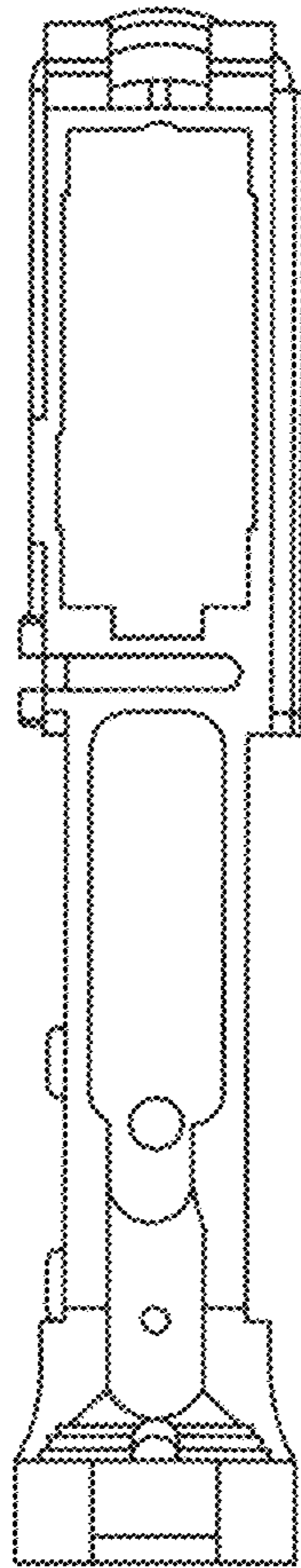


FIG. 2

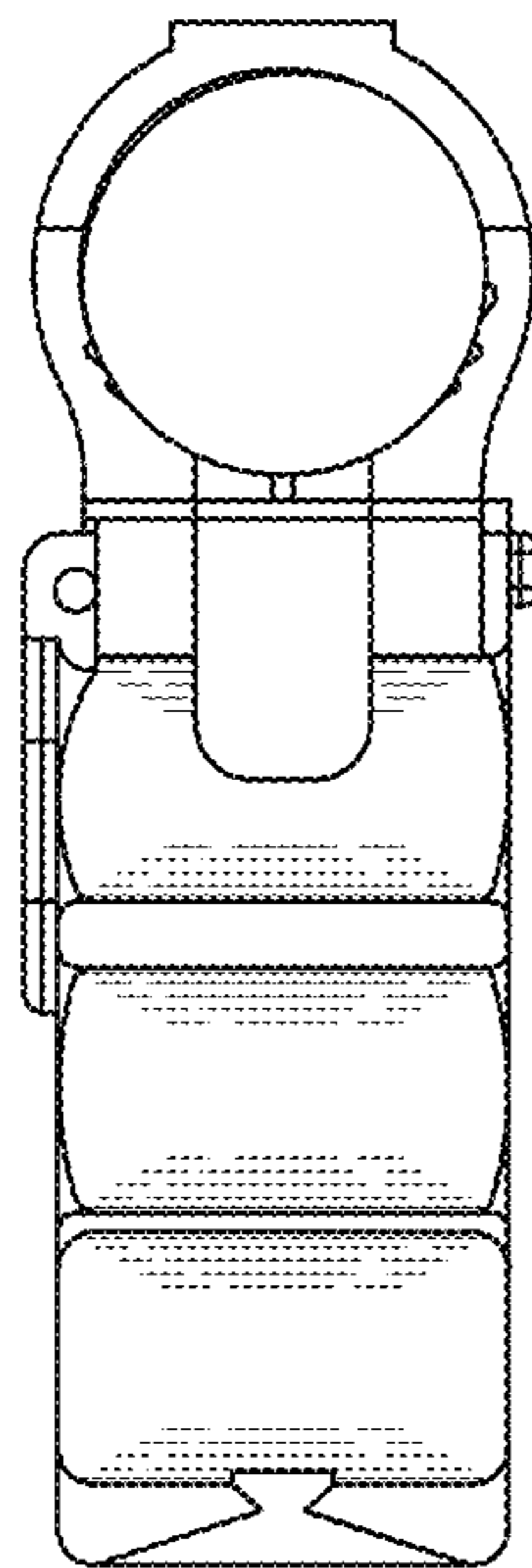


FIG. 3

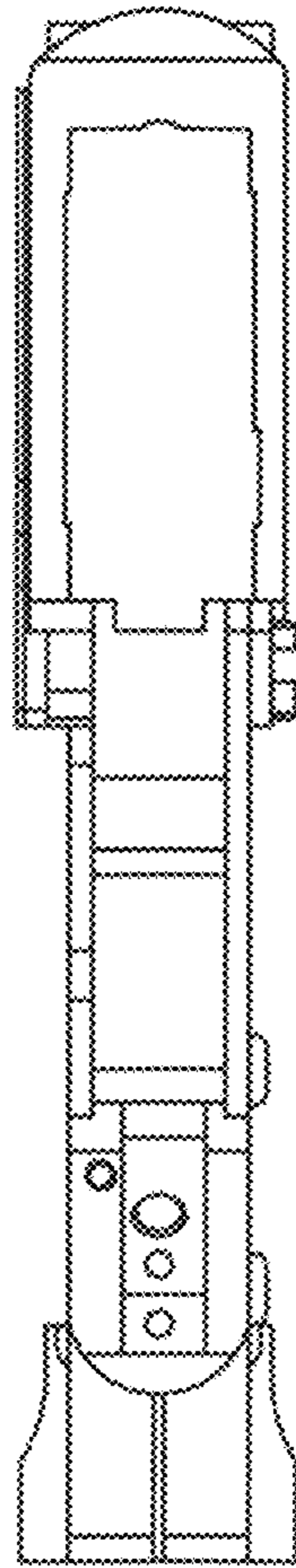


FIG. 4

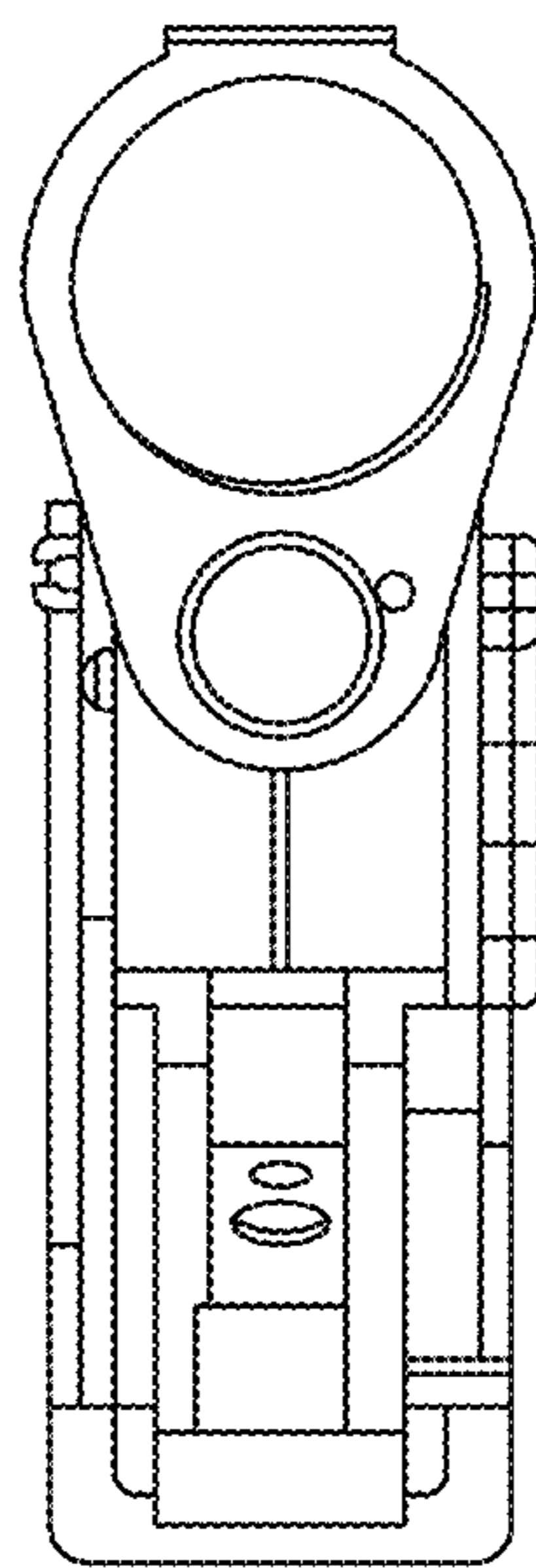


FIG. 5

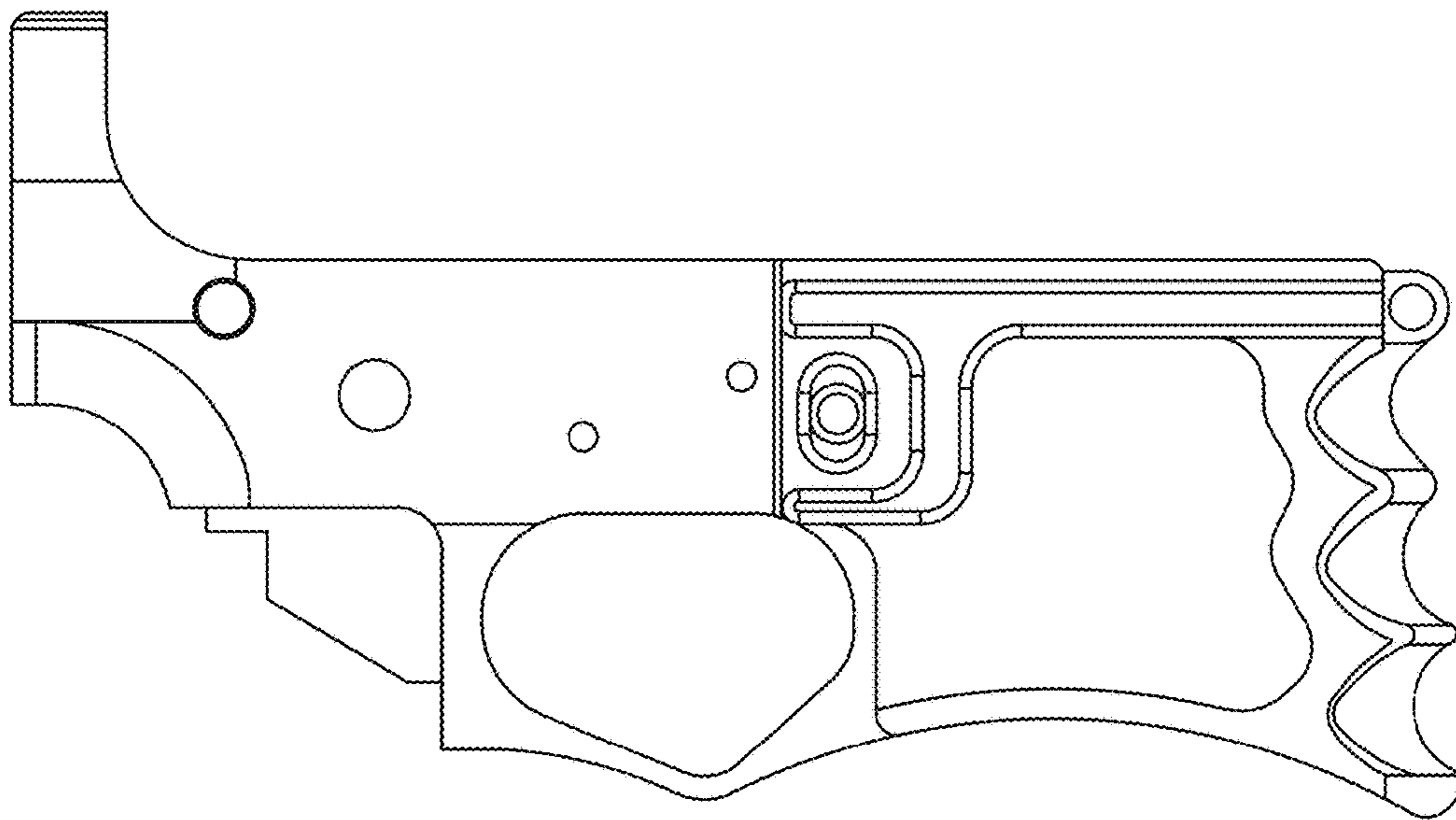


FIG. 6

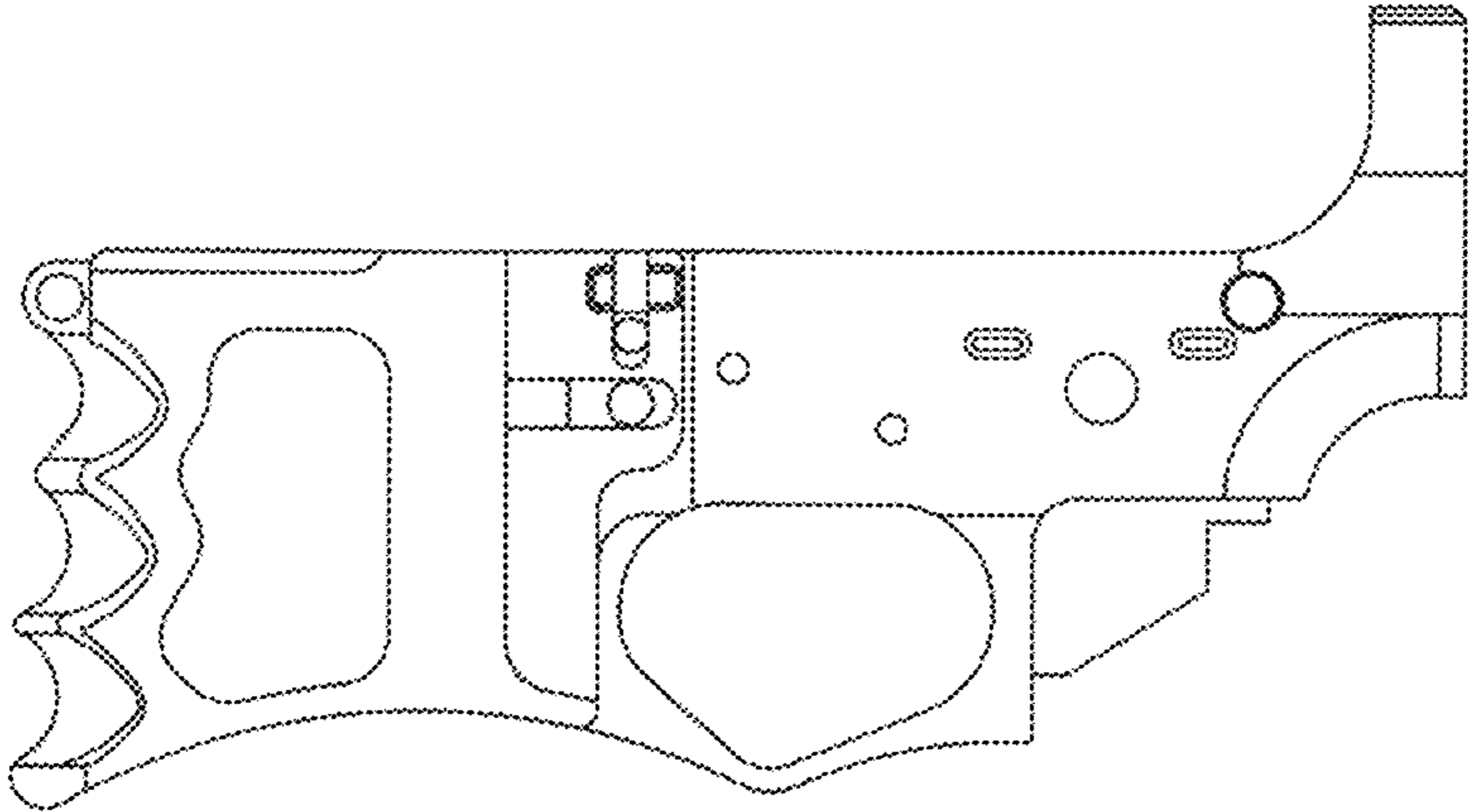


FIG. 7