



US00D805151S

(12) **United States Design Patent** (10) **Patent No.:** **US D805,151 S**  
**Su** (45) **Date of Patent:** **\*\* Dec. 12, 2017**

(54) **ENGAGEMENT RING-SHAPED  
FLOATATION DEVICE**

(71) Applicant: **Benson Su**, Torrance, CA (US)

(72) Inventor: **Benson Su**, Torrance, CA (US)

(\*\*) Term: **15 Years**

(21) Appl. No.: **29/598,133**

(22) Filed: **Mar. 23, 2017**

(51) **LOC (10) Cl.** ..... **21-02**

(52) **U.S. Cl.**  
USPC ..... **D21/803**

(58) **Field of Classification Search**  
USPC ..... D21/769-770, 801, 803, 809; D12/5, 6,  
D12/316; D6/392, 595, 596, 601, 604,  
D6/605  
CPC ..... B63B 35/74; B63B 35/76; B63B 35/78;  
B63B 35/79; B63B 35/7906; B63B  
35/7909; B63B 35/7913; B63B 35/7916;  
B63B 35/792; B63B 35/7923; B63B  
35/7926; B63B 35/793

See application file for complete search history.

(56) **References Cited**

**U.S. PATENT DOCUMENTS**

3,432,904 A \* 3/1969 Stewart ..... F16K 15/20  
137/223  
5,162,007 A \* 11/1992 Leslie ..... A47C 27/081  
441/129  
5,383,804 A \* 1/1995 Mitch ..... B63B 35/76  
441/66

5,476,404 A \* 12/1995 Price ..... B63B 35/76  
441/126  
6,702,635 B2 \* 3/2004 Soares ..... A47C 4/54  
441/131  
6,896,569 B1 \* 5/2005 Wittenrich ..... B63B 35/76  
114/346  
7,421,968 B1 \* 9/2008 Hu ..... B63B 43/14  
114/219

**OTHER PUBLICATIONS**

<https://www.mimosainc.com/products/engagement-ring-pool-float;>  
Downloaded on May 12, 2017.

\* cited by examiner

*Primary Examiner* — **Zenia Bennett**

(74) *Attorney, Agent, or Firm* — **Sean M. Lynch**

(57) **CLAIM**

The ornamental design of an engagement ring-shaped floatation device, as shown and described.

**DESCRIPTION**

FIG. 1 is a top, front, right-side perspective view of the engagement ring-shaped floatation device.

FIG. 2 is a front view.

FIG. 3 is a rear view.

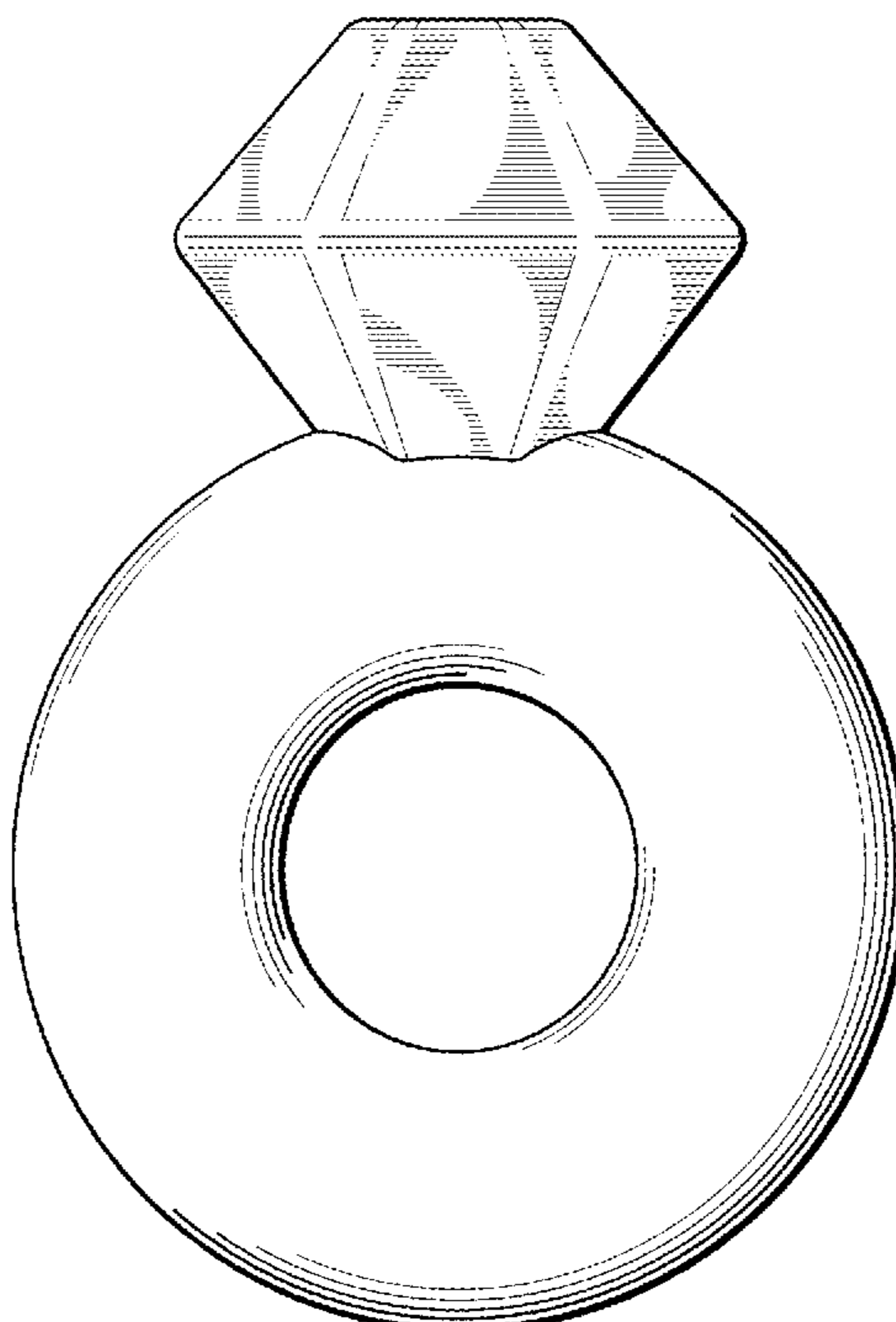
FIG. 4 is a right-side view.

FIG. 5 is a left-side view.

FIG. 6 is a top view; and,

FIG. 7 is a bottom view.

**1 Claim, 3 Drawing Sheets**



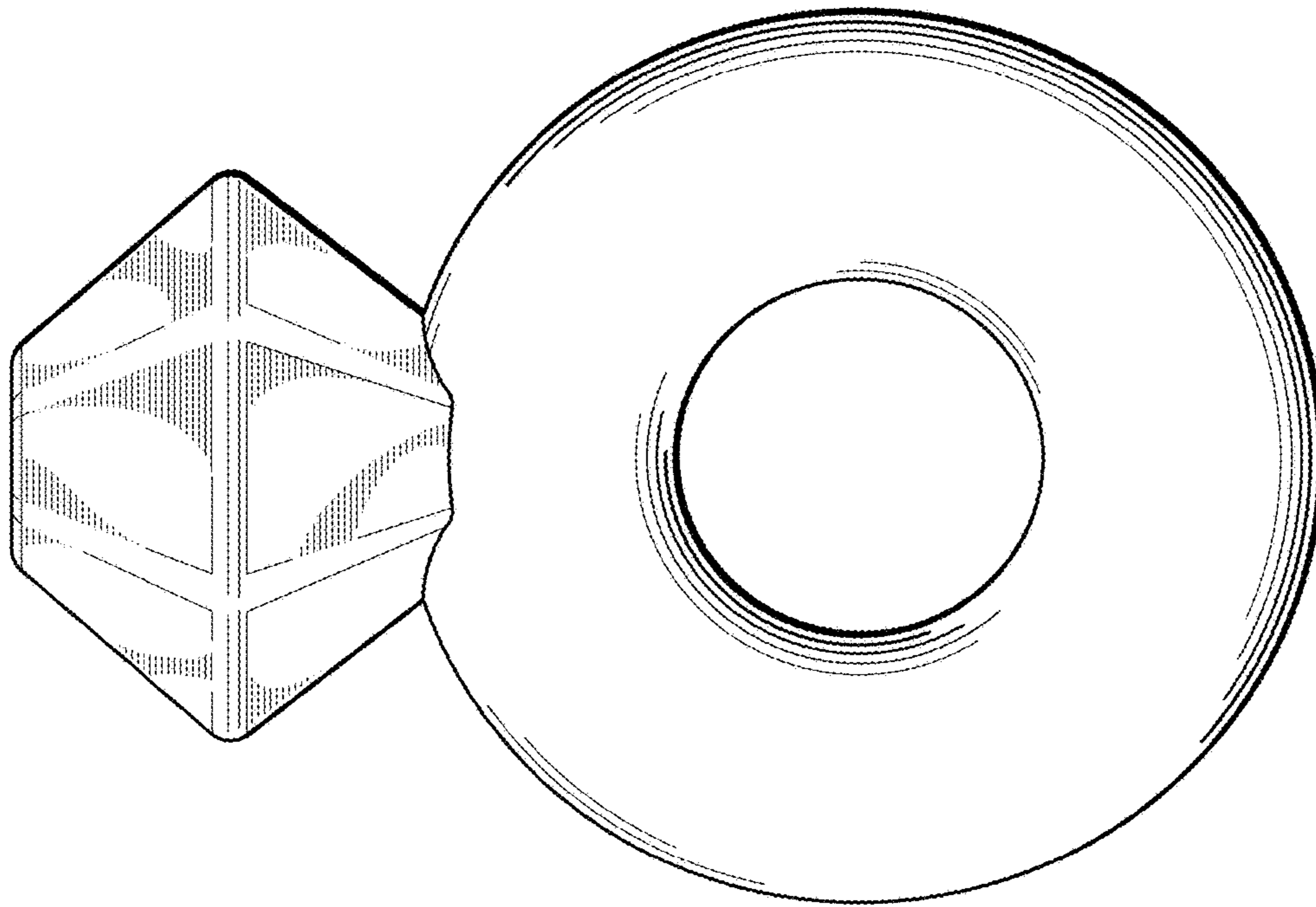


FIG. 2

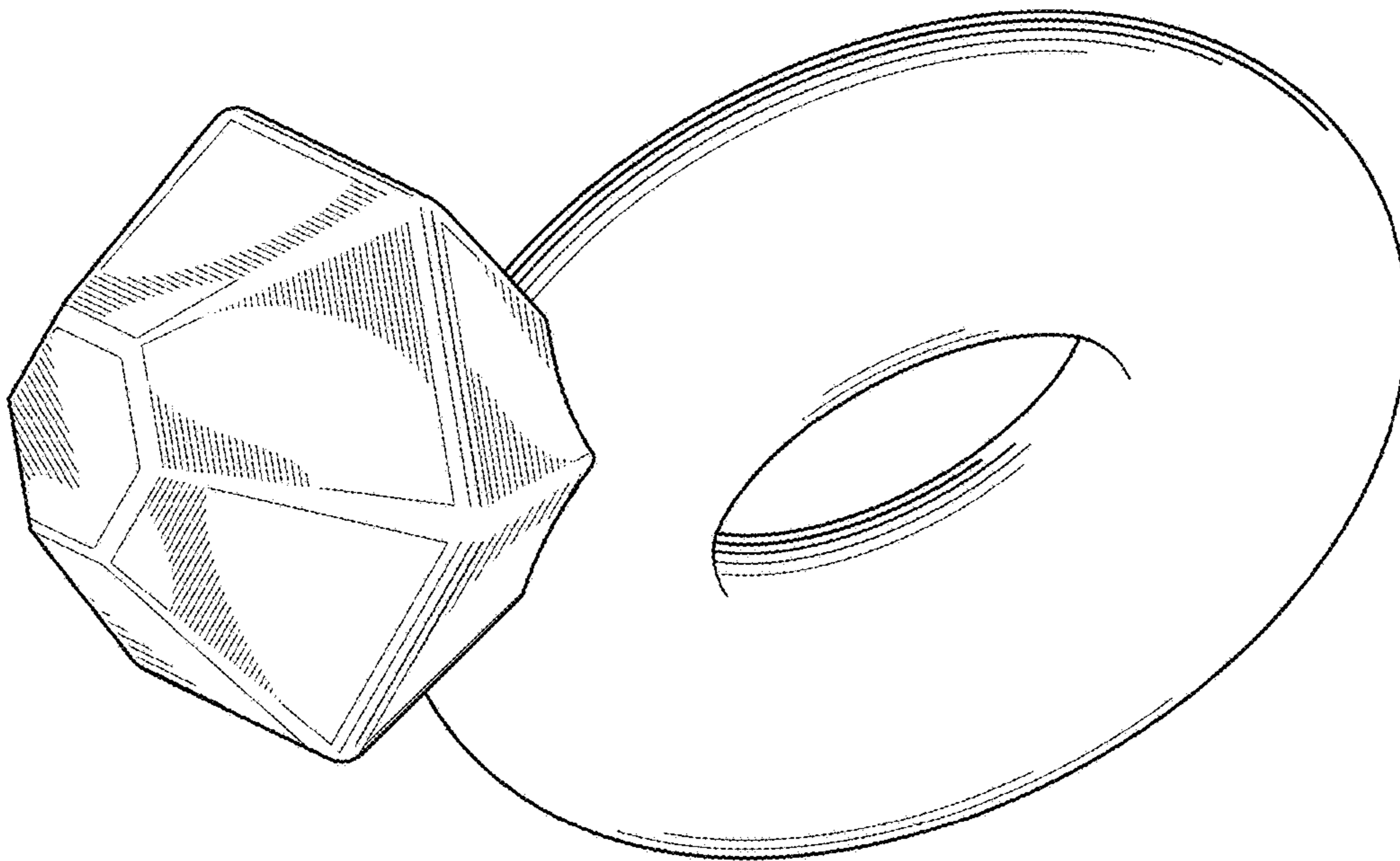


FIG. 1

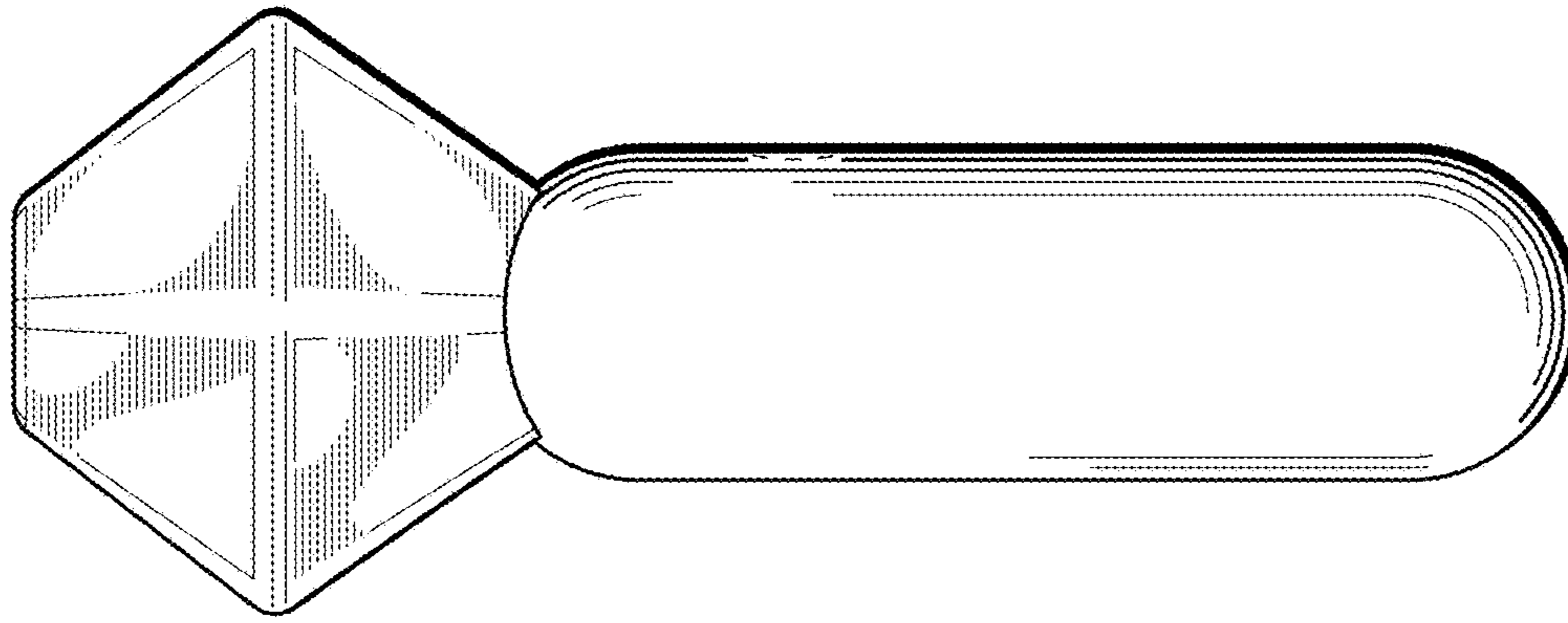


FIG. 5

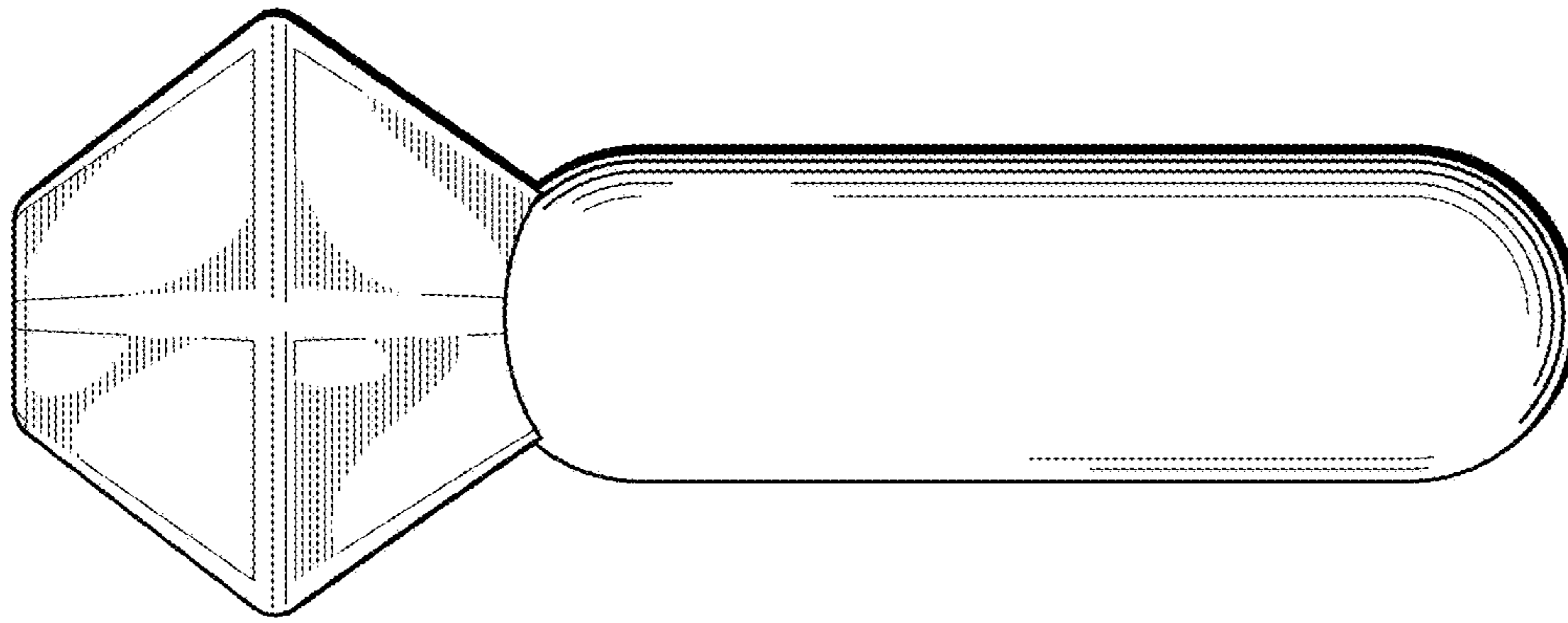


FIG. 4

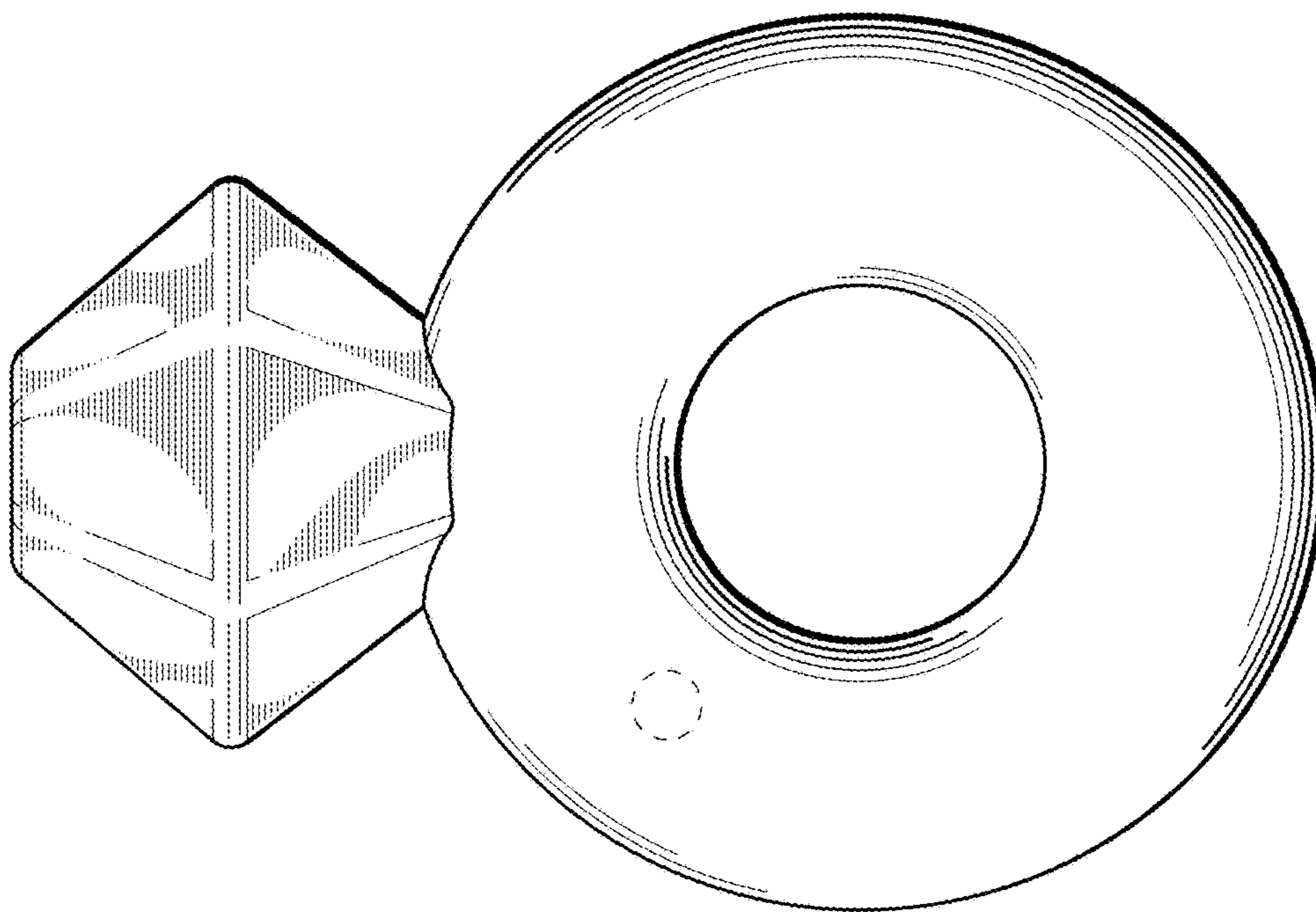
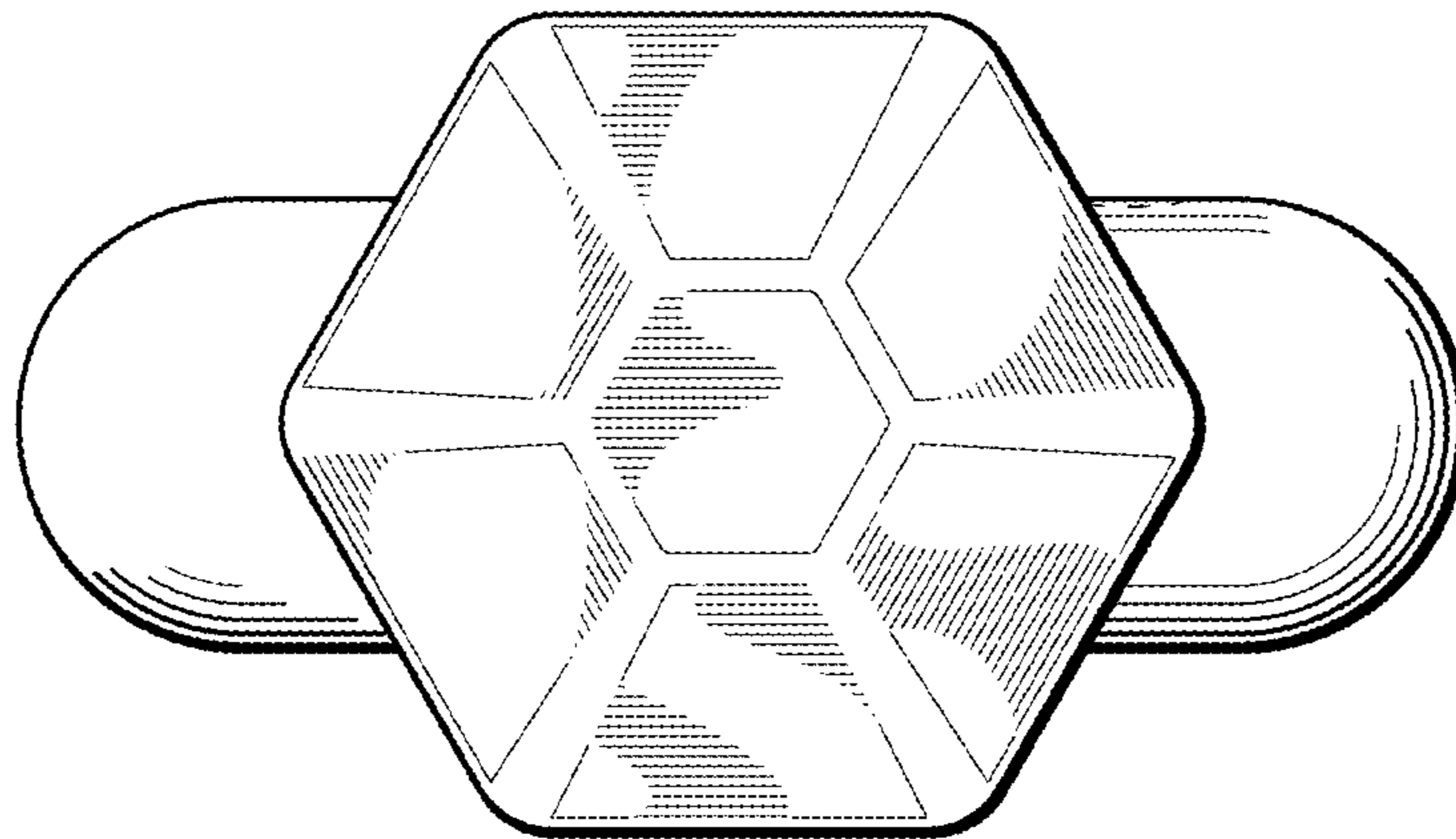
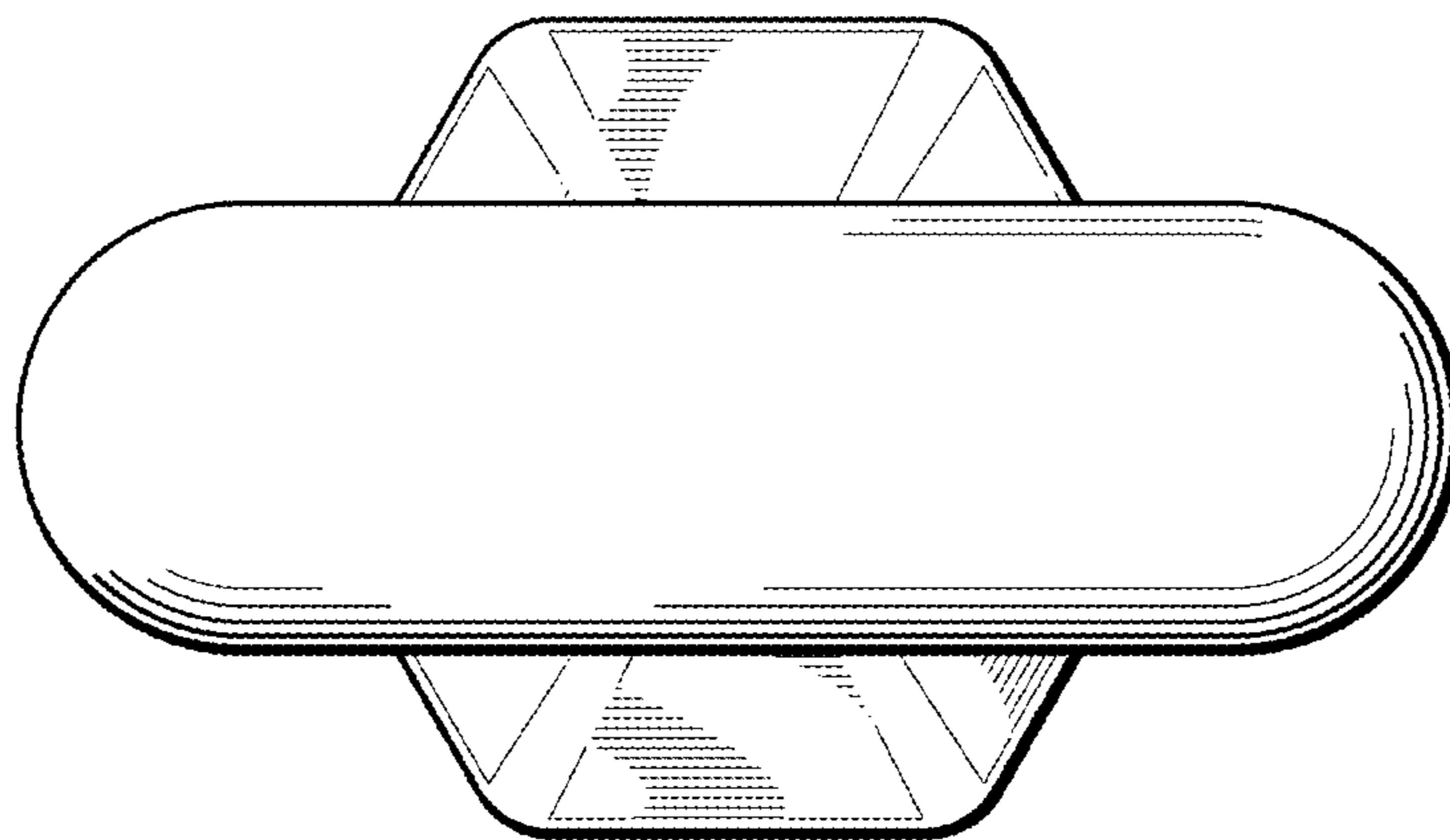


FIG. 3



*FIG. 6*



*FIG. 7*