



US00D805148S

(12) **United States Design Patent** (10) **Patent No.:** **US D805,148 S**
Ford et al. (45) **Date of Patent:** **** Dec. 12, 2017**

(54) **SPORTS EQUIPMENT LOCKER** D270,495 S * 9/1983 Owings D3/261
D293,626 S 1/1988 Beran
(71) Applicant: **Brandon J. Ford**, Edwards, CO (US) 4,842,289 A 6/1989 Samuels
D302,902 S 8/1989 Kaufman
(72) Inventors: **Brandon J. Ford**, Edwards, CO (US); D305,831 S * 2/1990 Vanderhorst D3/261
Joe Kapushion, Edwards, CO (US); 4,905,827 A * 3/1990 Kim A63B 55/00
Keith Poulson, Edwards, CO (US) 206/315.3
4,953,773 A 9/1990 Wirth
4,955,519 A 9/1990 Forrester
(73) Assignee: **Brandon J. Ford**, Edwards, CO (US) D311,814 S * 11/1990 Steiner 190/24
D312,726 S 12/1990 Kline
5,002,185 A 3/1991 Schurman
(**) Term: **15 Years** 5,005,743 A 4/1991 Ramsay
5,012,921 A 5/1991 Becker
(21) Appl. No.: **29/558,546** 5,096,104 A 3/1992 Wirth
5,160,075 A 11/1992 Moscovitch

(Continued)

(22) Filed: **Mar. 18, 2016**
(51) **LOC (10) Cl.** **03-01**
(52) **U.S. Cl.**
USPC **D21/754**
(58) **Field of Classification Search**
USPC D3/254, 261, 201, 204, 269, 272, 273,
D3/276, 279, 315
CPC A63C 11/02-11/026
See application file for complete search history.

Primary Examiner — Mitchell Siegel
(74) *Attorney, Agent, or Firm* — Polson Intellectual
Property Law, PC; Margaret Polson

(57) **CLAIM**

The ornamental design for a sports equipment locker, as shown and described.

(56) **References Cited**

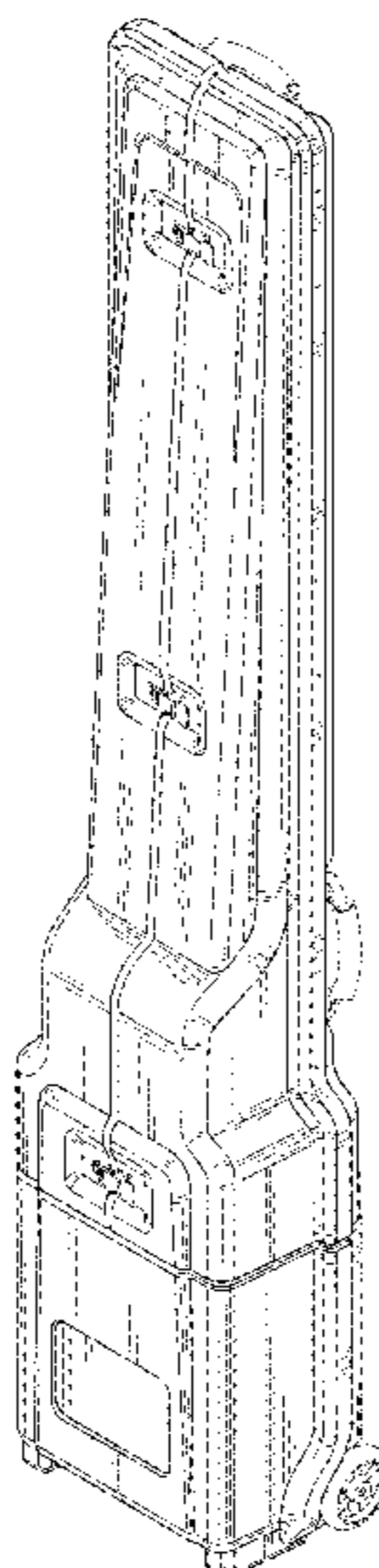
U.S. PATENT DOCUMENTS

910,108 A 1/1909 Alston
2,234,487 A 3/1941 Davis
3,330,573 A 7/1967 Sieloff
D222,848 S * 1/1972 Van Ausdall D3/261
D230,378 S * 2/1974 Eisenberg D3/261
3,837,548 A 9/1974 Nerger
3,917,137 A 11/1975 Wilkins
3,921,871 A 11/1975 Heil
4,084,735 A 4/1978 Kappas
4,126,254 A * 11/1978 Sahakian A63C 11/028
206/315.1
4,161,268 A 7/1979 Heil
4,217,999 A 8/1980 Forsman
4,238,063 A 12/1980 O'Dair
4,358,137 A * 11/1982 Gramm A63C 11/026
206/315.1
D267,443 S * 1/1983 Salas D3/261

DESCRIPTION

FIG. 1 is a front perspective view of our new design for a sports equipment locker.
FIG. 2 is a back perspective view of FIG. 1.
FIG. 3 is a front side elevation view of FIG. 1.
FIG. 4 is a back side elevation view of FIG. 1.
FIG. 5 is a side elevation view of the right and left sides, which are mirror images, of FIG. 1.
FIG. 6 is a top plan view of FIG. 1; and,
FIG. 7 is a bottom plan view of FIG. 1.
The features shown in broken lines in the drawing depict environmental subject matter only and form no part of the claimed design.

1 Claim, 4 Drawing Sheets



(56)

References Cited

U.S. PATENT DOCUMENTS

D332,695 S *	1/1993	Moscovitch	D3/261	5,799,915 A	9/1998	Morey	
5,215,318 A	6/1993	Capraro		6,164,425 A *	12/2000	Latshaw	A45C 5/14 190/108
5,285,942 A	2/1994	Wills		6,311,883 B1	11/2001	Greenberg	
5,415,333 A *	5/1995	Wills	A63C 11/026 224/309	6,330,944 B1	12/2001	DeMichele	
D362,115 S *	9/1995	Moneta	D3/261	6,729,489 B2	5/2004	Sanderson	
D362,545 S *	9/1995	Vincent	D3/261	7,222,733 B2 *	5/2007	Kim	A63B 55/00 206/315.3
D367,168 S *	2/1996	Vincent	D3/261	7,575,138 B2	8/2009	Lindberg	
D367,169 S *	2/1996	Vincent	D3/261	8,141,905 B2 *	3/2012	Ball	A63C 11/026 280/47.131
5,509,589 A	4/1996	Kliot		8,381,930 B2 *	2/2013	Boyles	A01K 97/08 206/315.3
5,538,137 A	7/1996	Deioma et al.		D714,547 S *	10/2014	Enes	D3/261
5,582,290 A	12/1996	McCuaig et al.		D718,527 S *	12/2014	Enes	D3/261
D379,870 S *	6/1997	Moneta	D3/261	D721,488 S *	1/2015	Lewis	D3/261
D392,801 S *	3/1998	Hields	D3/261	2002/0060194 A1	5/2002	Reiser et al.	
5,758,770 A *	6/1998	Moneta	A63C 11/026 206/315.1	2010/0038198 A1	2/2010	Jarvis	
5,799,848 A	9/1998	Wills		2011/0180575 A1	7/2011	Abramowitz et al.	

* cited by examiner

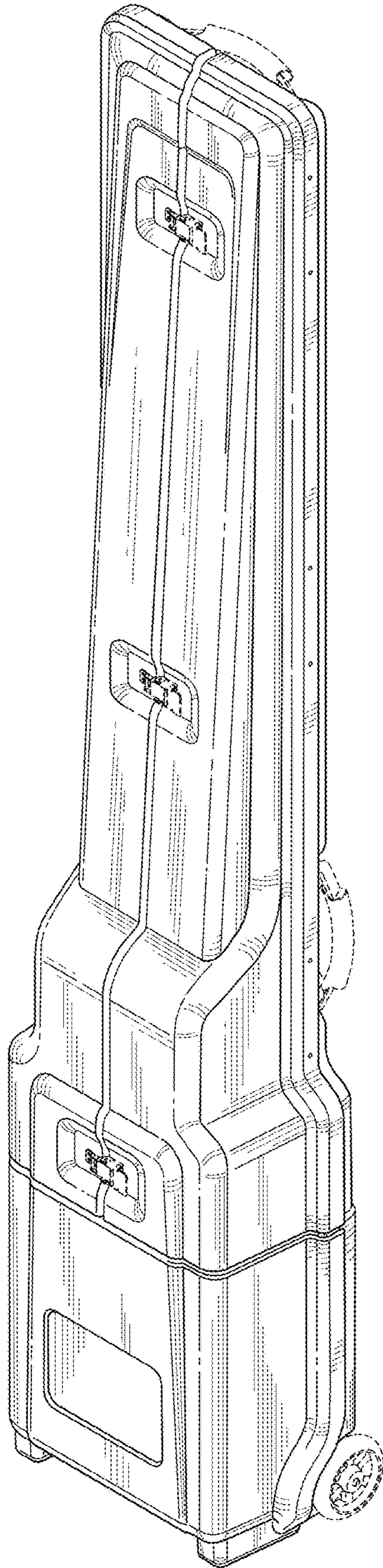


FIG.1

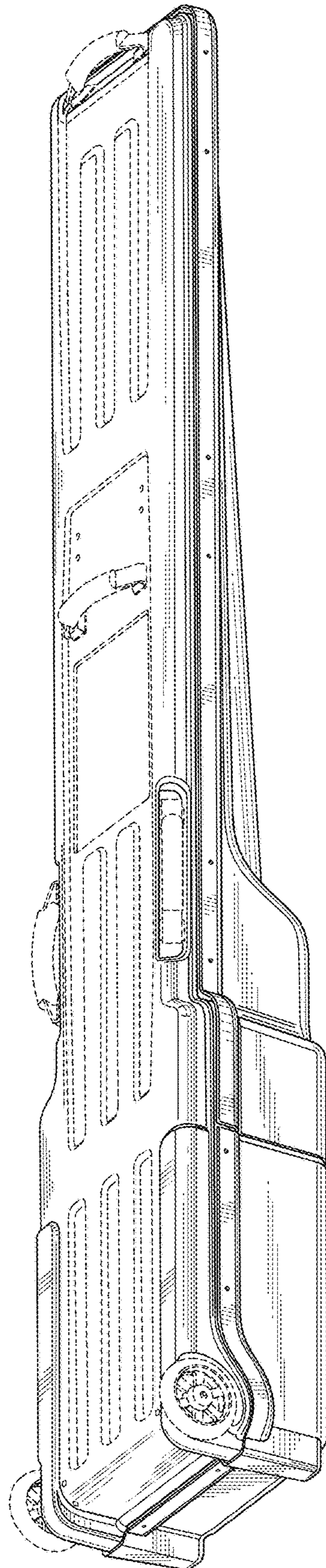


FIG.2

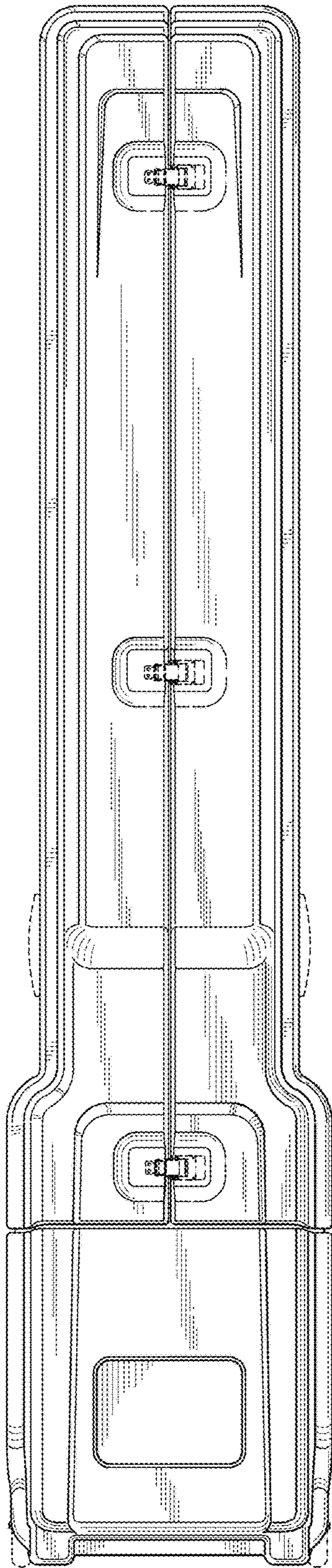


FIG.3

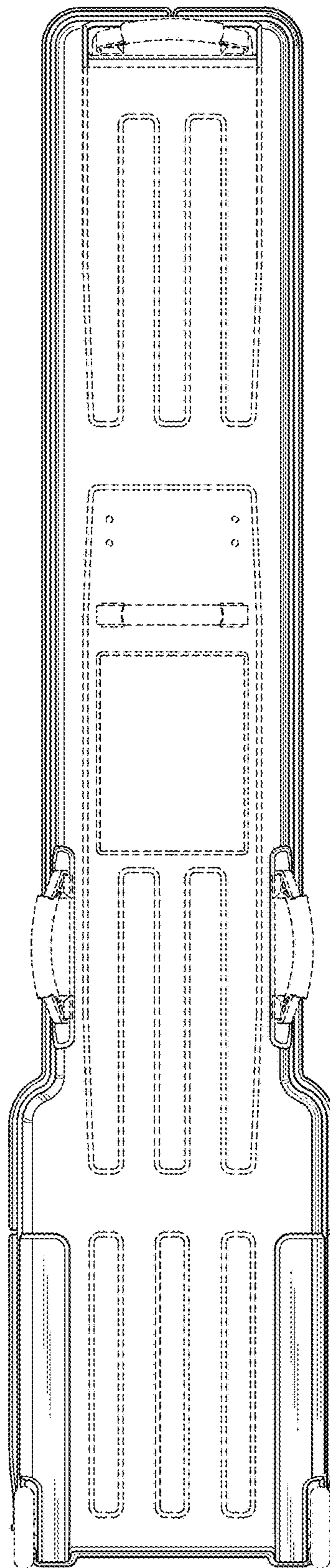


FIG.4

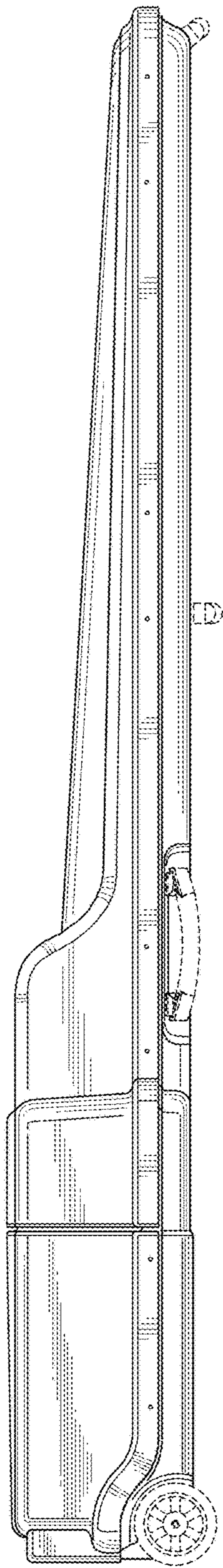


FIG. 5

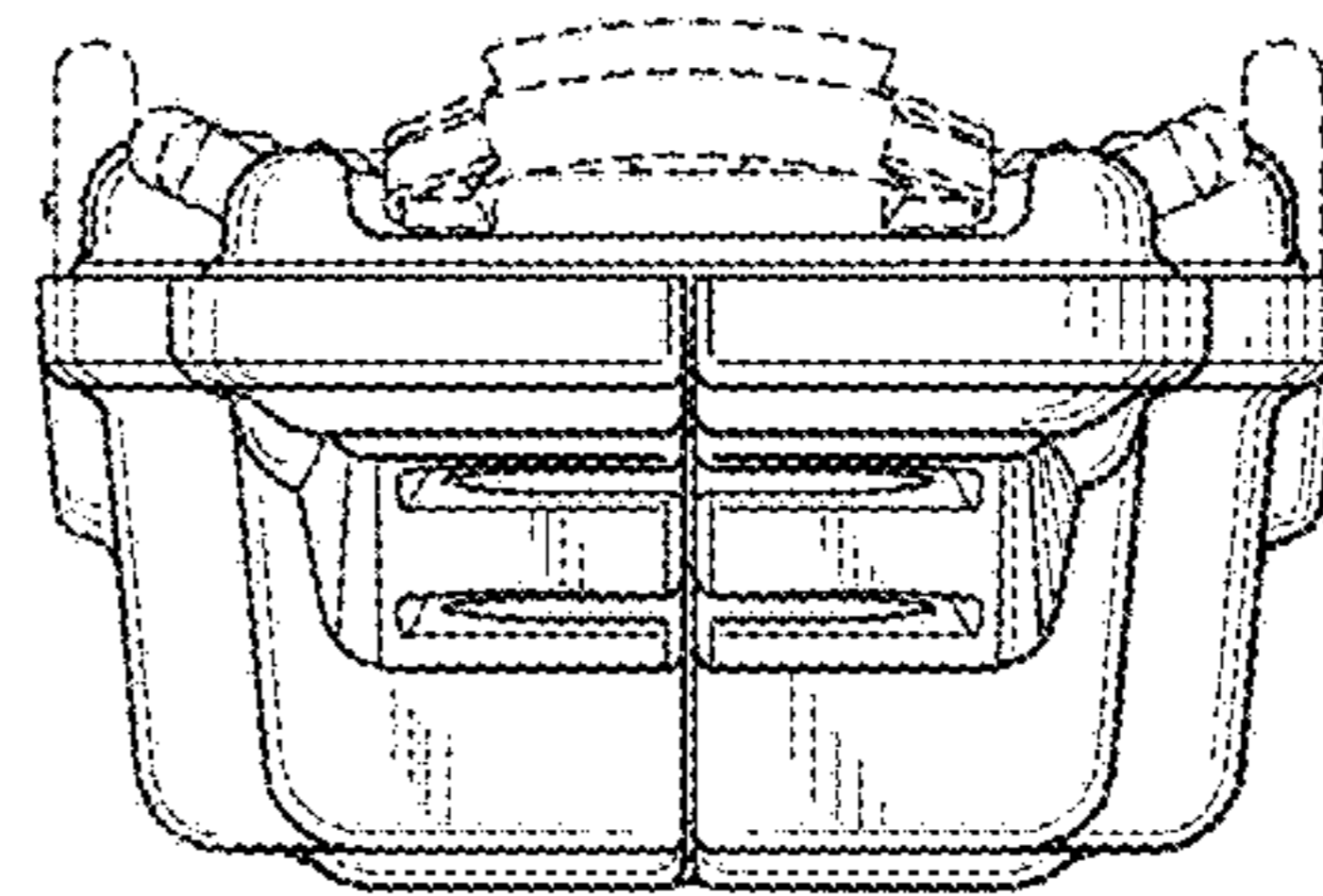


FIG. 6

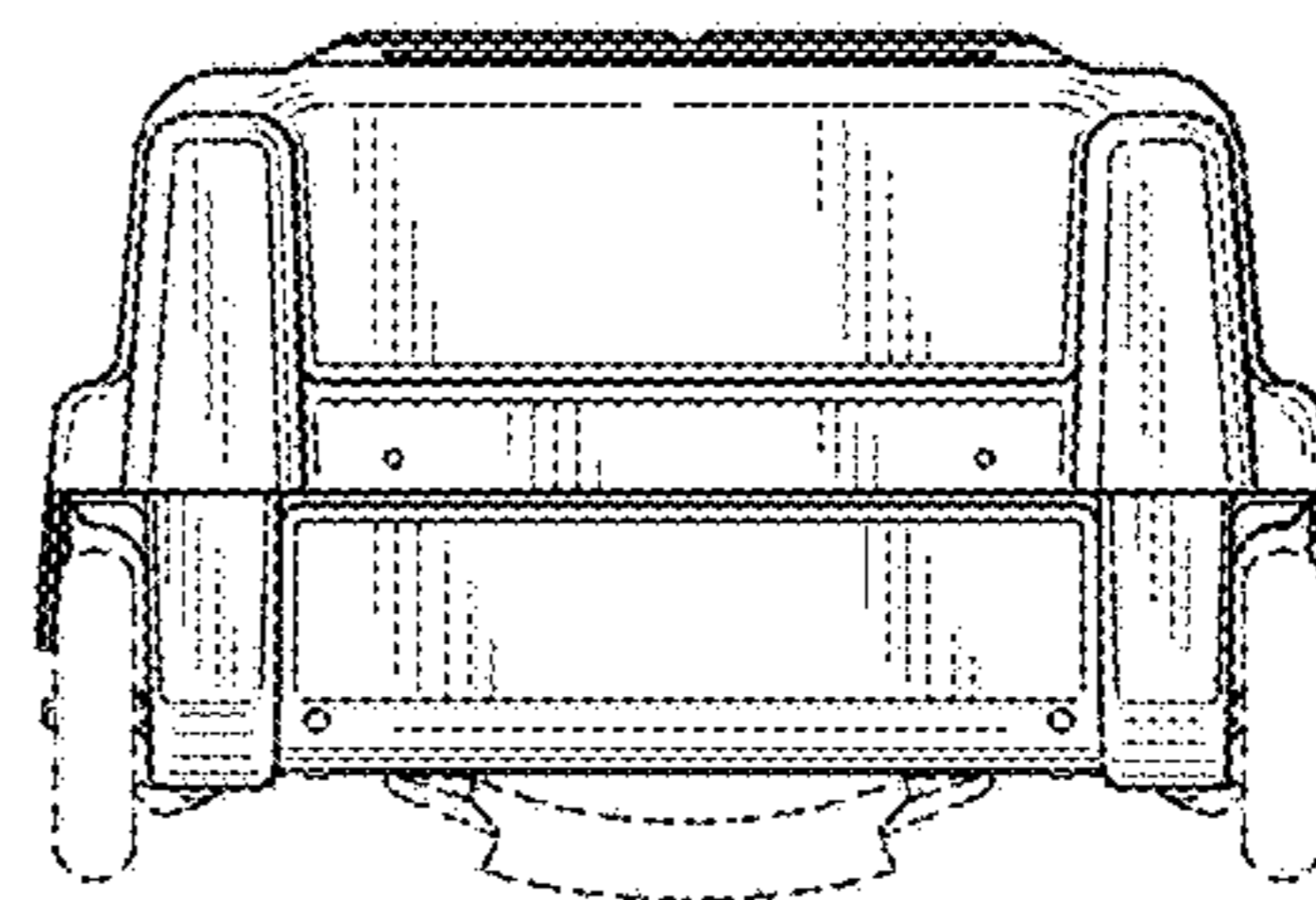


FIG. 7