



US00D805142S

(12) **United States Design Patent**
Metcalf

(10) **Patent No.:** **US D805,142 S**

(45) **Date of Patent:** **** Dec. 12, 2017**

- (54) **GOALPOSTS**
- (71) Applicant: **B. G. Sports International Limited,**
Colne (GB)
- (72) Inventor: **George Metcalfe,** Colne (GB)
- (73) Assignee: **B.G. SPORTS INTERNATIONAL LIMITED,** Colne, Lancashire (GB)
- (**) Term: **15 Years**
- (21) Appl. No.: **29/561,213**
- (22) Filed: **Apr. 14, 2016**

- 5,197,744 A * 3/1993 Nanau A63B 63/004
273/127 R
- D337,363 S * 7/1993 Pavonetti D21/699
- D353,426 S * 12/1994 Amram D21/705
- D368,290 S * 3/1996 Lobos D21/705
- 5,651,551 A * 7/1997 Ferrara A63B 63/004
273/400
- 5,690,339 A * 11/1997 Chen A63B 63/004
273/400
- 5,839,980 A * 11/1998 Kendy A63B 63/004
273/400
- 5,954,600 A * 9/1999 Gill A63B 63/004
273/400
- D590,459 S * 4/2009 Caswell D21/705
- 2005/0054464 A1 * 3/2005 Bryant A63B 63/004
473/478

(Continued)

(30) **Foreign Application Priority Data**

- Feb. 1, 2016 (EM) 002966333-0001
- (51) **LOC (10) Cl.** **21-02**
- (52) **U.S. Cl.**
USPC **D21/699**
- (58) **Field of Classification Search**
USPC D21/302-306, 698-705, 780, 788, 790;
473/415-496, 172, 173, 197; 273/348,
273/394, 396, 397, 398, 400, 401, 402,
273/406, 407
CPC . A63B 63/00; A63B 63/004; A63B 2063/001;
A63B 2063/002; A63B 2063/005; A63B
69/00; A63B 69/0002; A63B 69/002;
A63B 69/0097; A63B 69/3623; A63B
2069/0006; A63B 2210/50; A63B
2210/52; A63B 2243/00; A63B
2243/0025
See application file for complete search history.

(56) **References Cited**

U.S. PATENT DOCUMENTS

- 4,254,952 A * 3/1981 Playter, Jr. A63B 63/00
273/401
- 5,186,469 A * 2/1993 Terris A63B 63/004
473/478

FOREIGN PATENT DOCUMENTS

- CN 302176576 * 11/2012
- EM 000121033-0001 * 5/2004
- GB 4000892 * 4/2007

Primary Examiner — Catherine A Tuttle

(74) *Attorney, Agent, or Firm* — Egbert Law Offices,
PLLC

(57) **CLAIM**

The ornamental design for the goalposts, as shown and described.

DESCRIPTION

FIG. 1 is a perspective view of goalposts showing my new design.

FIG. 2 is a front view thereof,

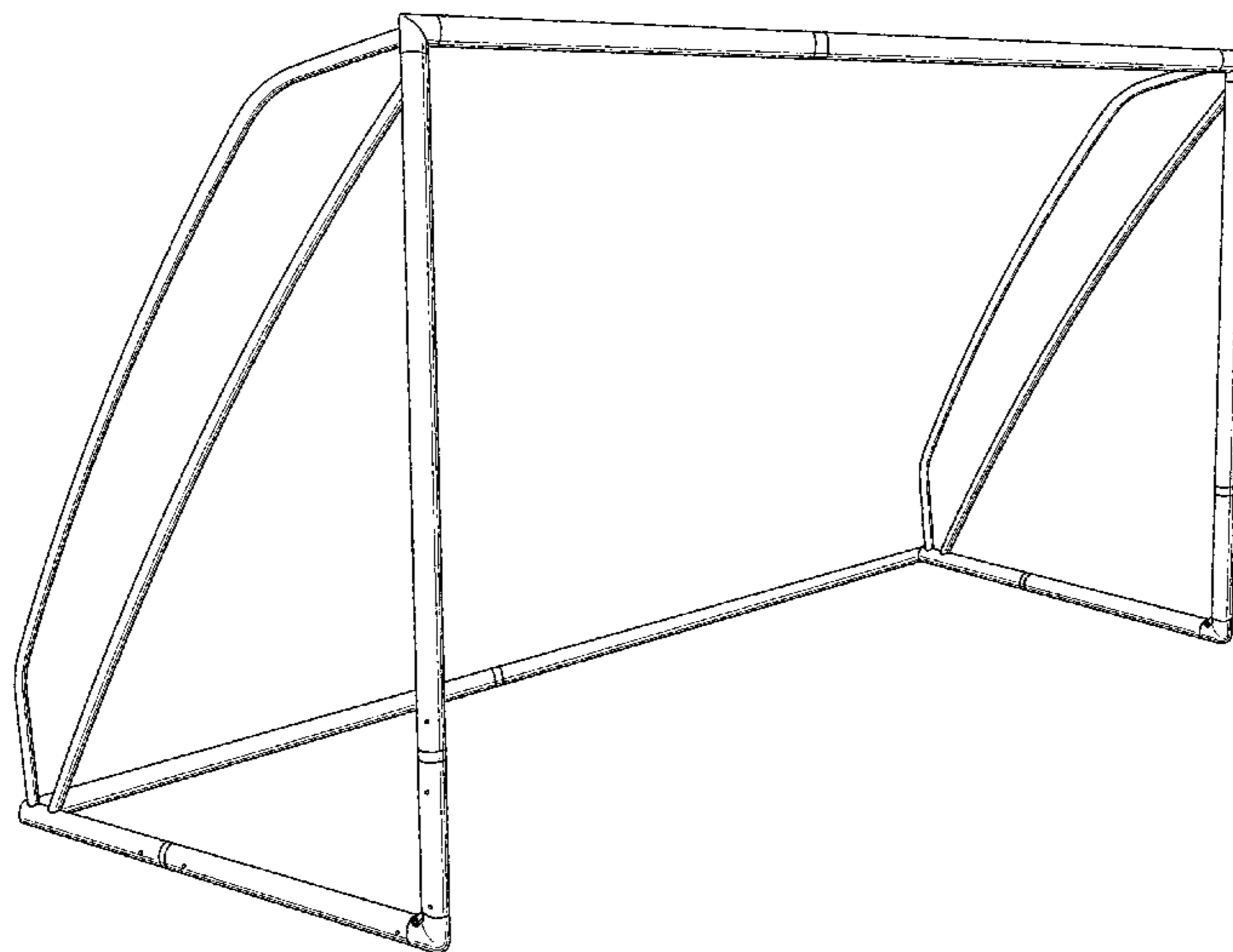
FIG. 3 is a rear view thereof;

FIG. 4 is a side view thereof;

FIG. 5 is an opposite side view thereof; and,

FIG. 6 is a top view thereof.

1 Claim, 5 Drawing Sheets



(56)

References Cited

U.S. PATENT DOCUMENTS

2005/0137035 A1* 6/2005 Huang A63B 63/004
473/454
2005/0189719 A1* 9/2005 Goldwitz A63B 63/004
273/407
2006/0135297 A1* 6/2006 Cruciani A63B 24/0021
473/570
2006/0226607 A1* 10/2006 Chen A63B 63/004
273/407
2009/0124435 A1* 5/2009 Ferrone A63B 63/004
473/478
2010/0184538 A1* 7/2010 Reeves A63B 63/004
473/478
2010/0304902 A1* 12/2010 Holland A63B 63/004
473/478
2011/0192437 A1* 8/2011 Adams E04H 15/38
135/124
2012/0165139 A1* 6/2012 Leoni A63B 63/004
473/478
2014/0106906 A1* 4/2014 Surbrook A63B 63/004
473/446
2017/0080312 A1* 3/2017 Dickerson A63B 63/004

* cited by examiner

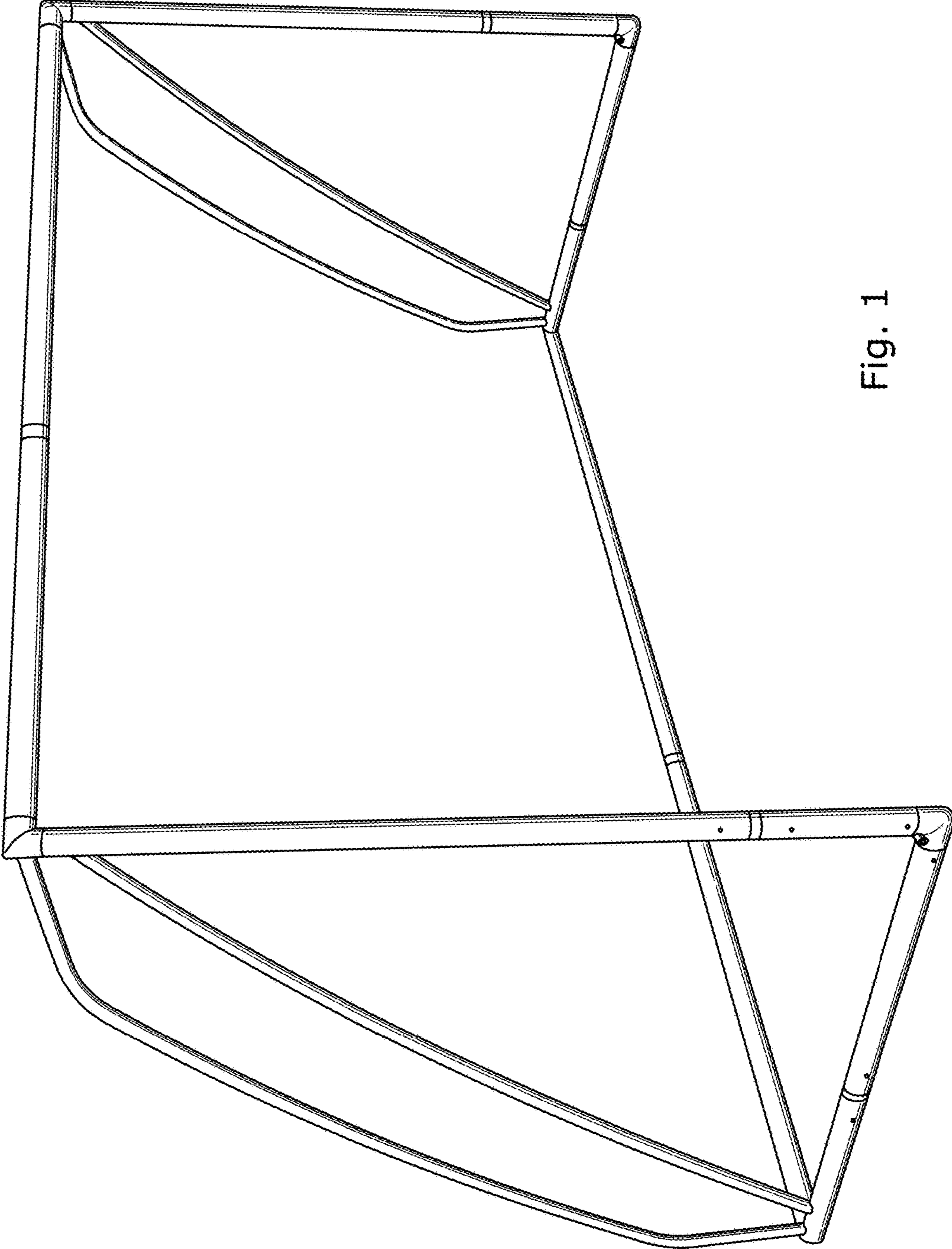


Fig. 1

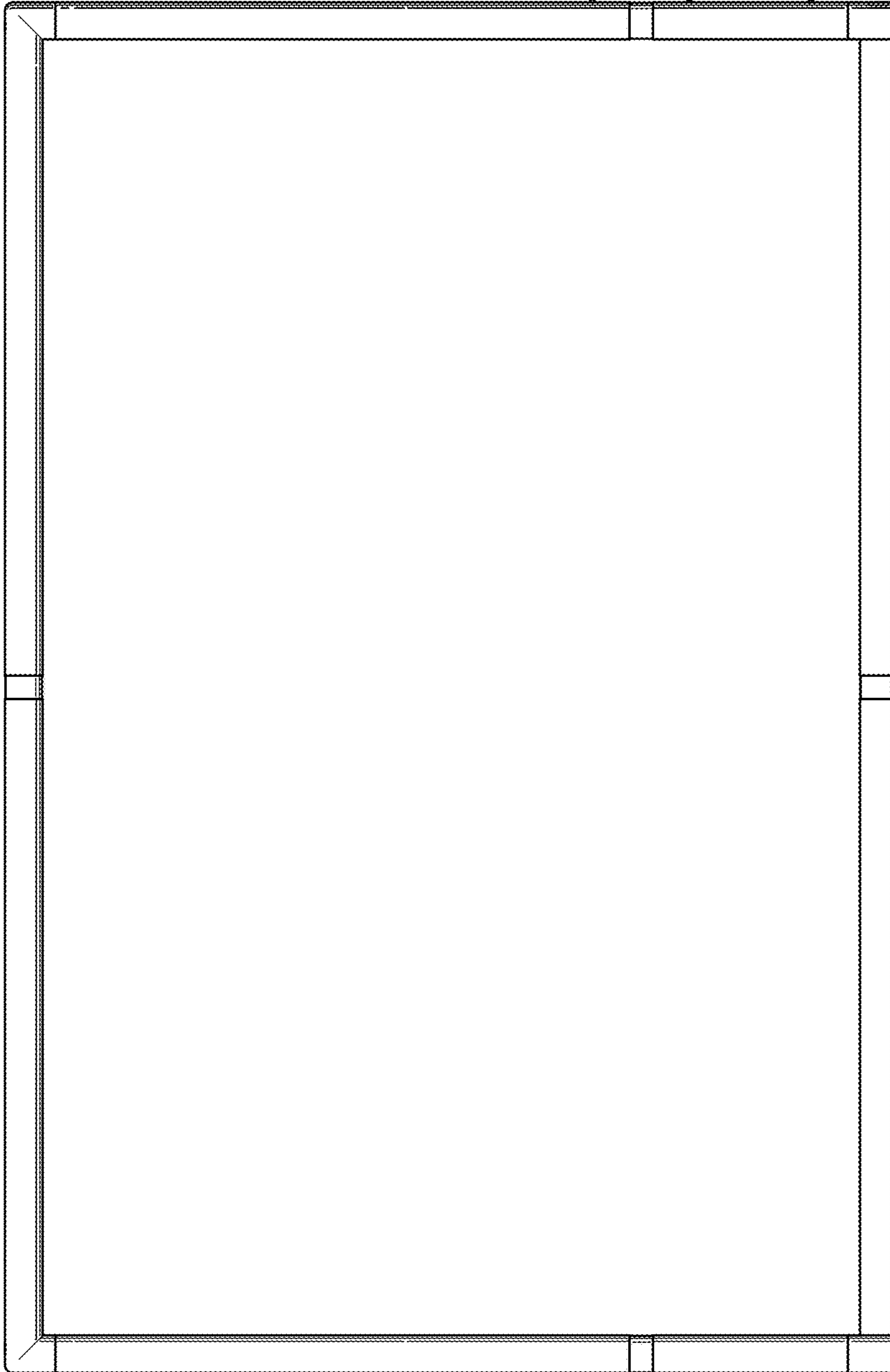


Fig. 2

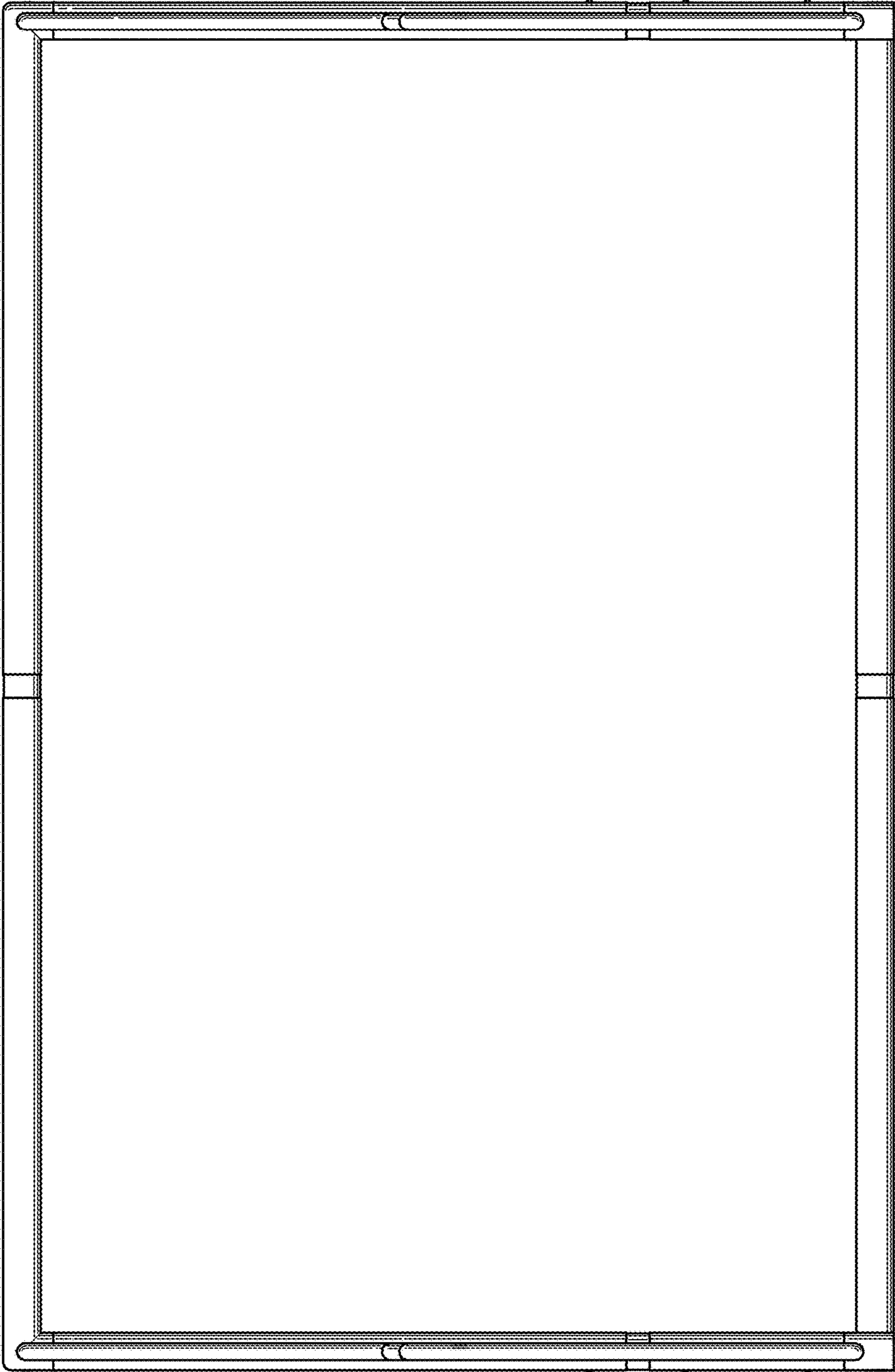


Fig. 3

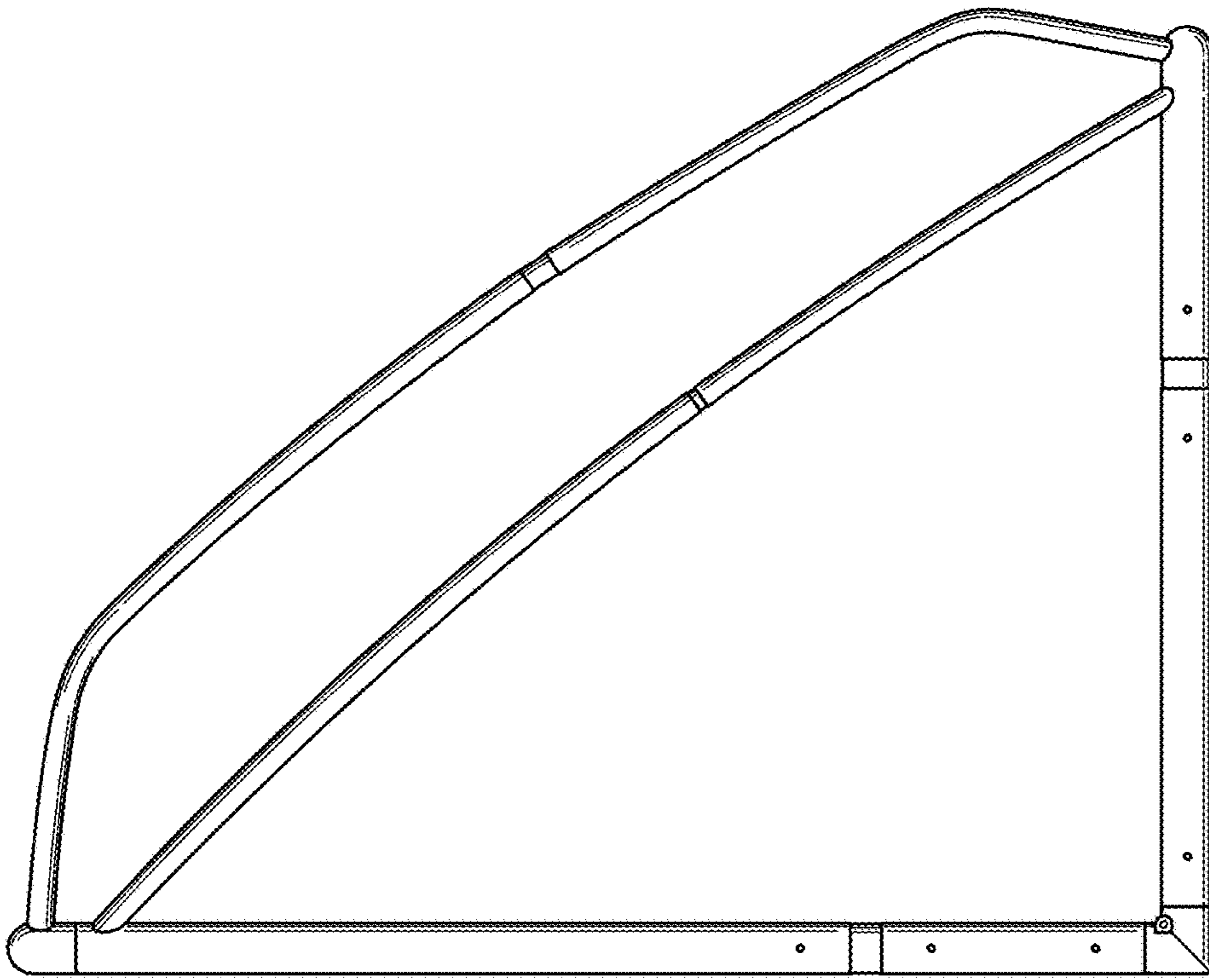


Fig. 5

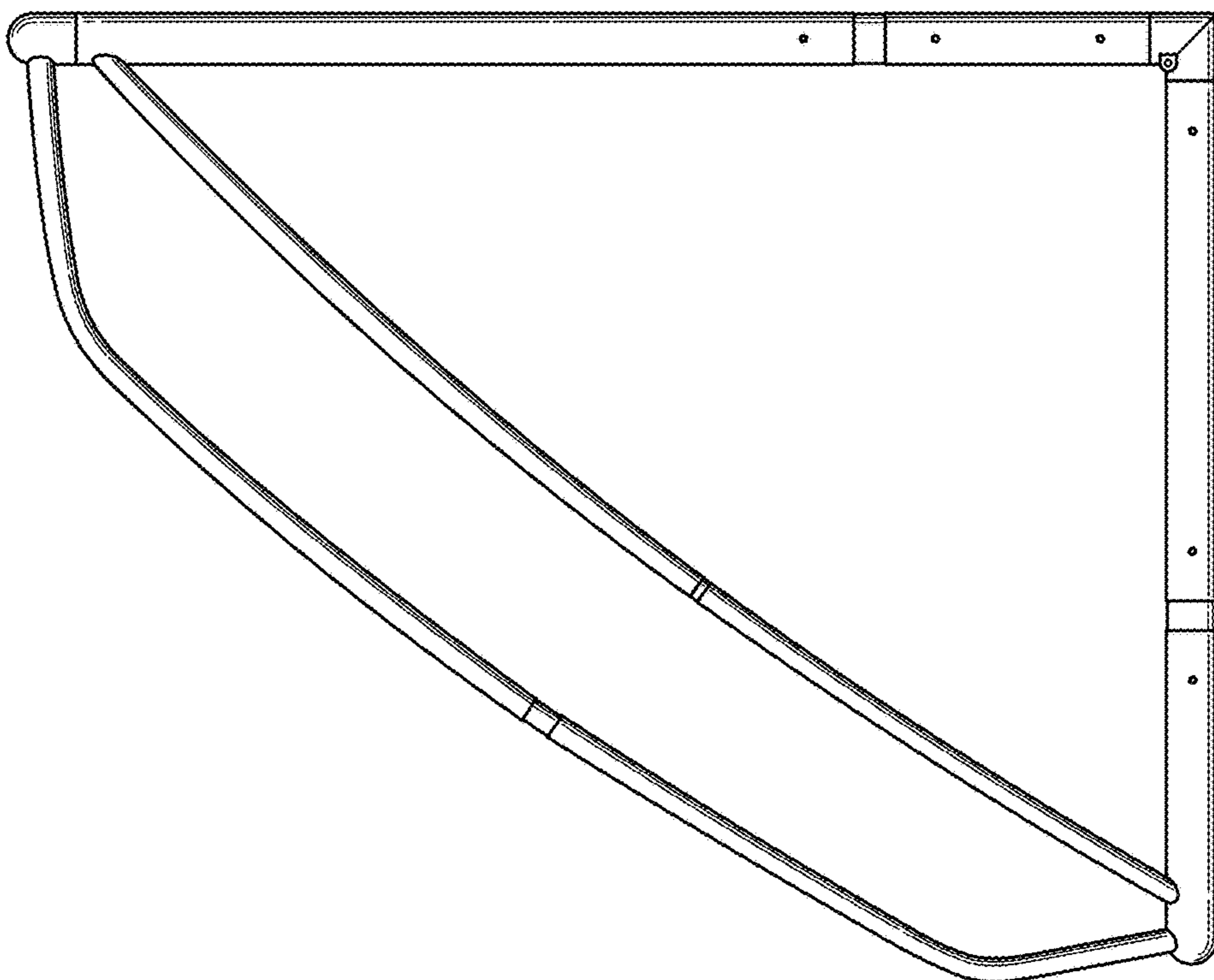


Fig. 4

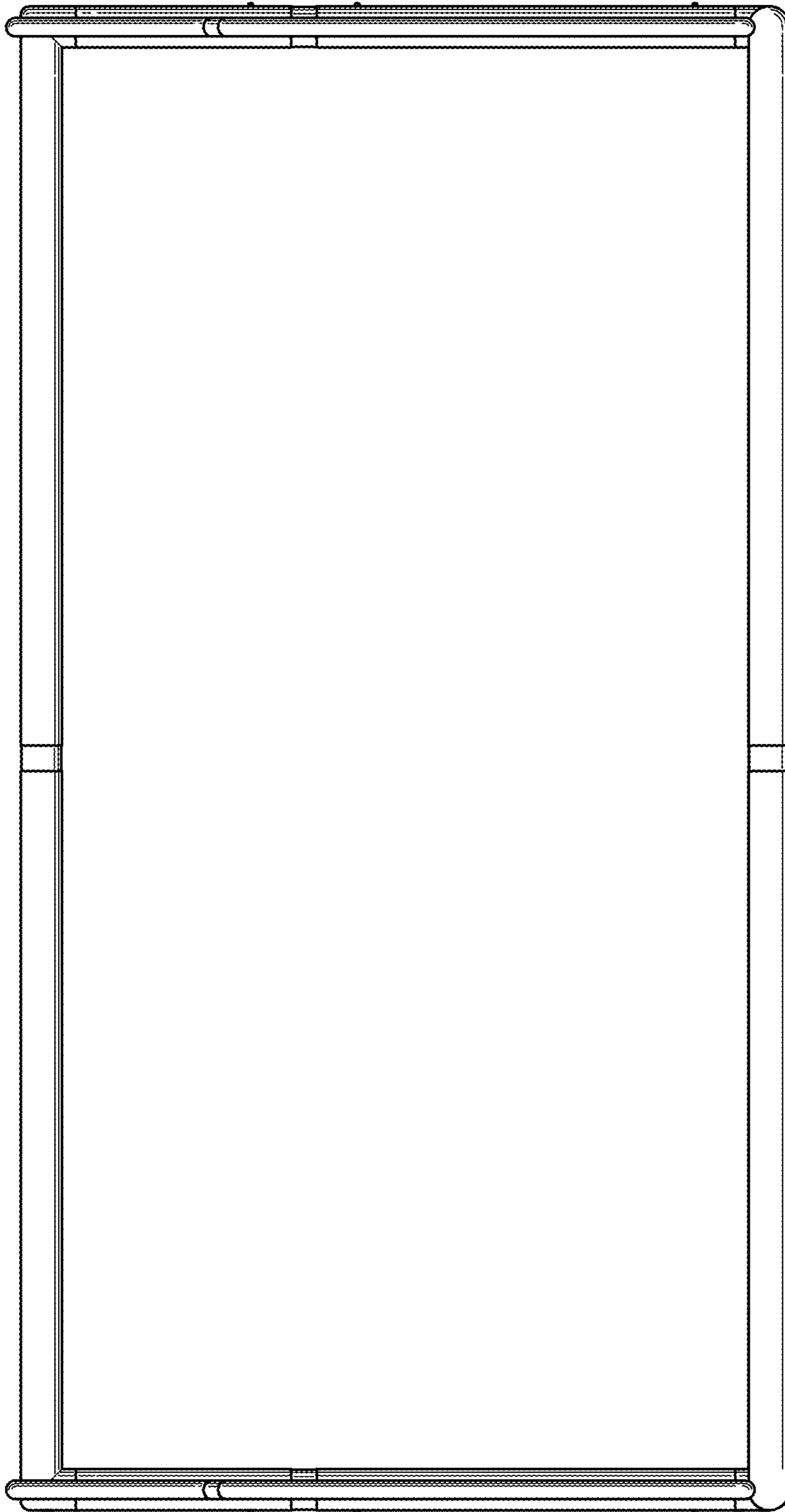


Fig. 6