



US00D805140S

(12) **United States Design Patent** (10) **Patent No.:** **US D805,140 S**
Hodes (45) **Date of Patent:** **** Dec. 12, 2017**

(54) **EXERCISE WEIGHT**
(71) Applicant: **Leon Hodes**, Great Neck, NY (US)
(72) Inventor: **Leon Hodes**, Great Neck, NY (US)
(**) Term: **15 Years**
(21) Appl. No.: **29/568,627**

4,880,228 A 11/1989 Caruthers
4,896,880 A 1/1990 Caruthers
4,900,016 A 2/1990 Caruthers
D307,168 S * 4/1990 Vodhanel D21/682
D321,230 S 10/1991 Leonesio
D343,880 S 2/1994 Shelton et al.
5,342,268 A 8/1994 Caruthers
D372,945 S * 8/1996 Morgan D21/682
D383,646 S 9/1997 Jeppesen et al.
5,853,355 A 12/1998 Standish

(Continued)

(22) Filed: **Jun. 20, 2016**
(51) **LOC (10) Cl.** **21-02**
(52) **U.S. Cl.**
USPC **D21/681**

FOREIGN PATENT DOCUMENTS

WO 2014042717 A1 3/2014

(58) **Field of Classification Search**
USPC D21/680, 682, 681, 678, 662, 679, 684,
D21/686, 801, 694, 691, 692; 173/102,
173/103, 118, 126, 133; 482/108, 93,
482/110, 111, 105, 8, 107, 106, 139, 94,
482/104, 140, 109, 51, 70, 74, 98, 1, 121,
482/55, 141, 124, 128; D9/680, 629,
D9/456, 668; D8/85, 45, 107, 90, 317,
D8/387, 397, 343, 31, 75, 14; D11/81,
D11/91, 56, 80, 7, 52, 14, 201; D12/215
CPC A63B 21/075; A63B 21/0728; A63B
21/00065; A63B 21/0726; A63B 23/1236;
A63B 21/4035; A63B 21/072; A63B
21/00047; A63B 21/068

OTHER PUBLICATIONS

Spartabells by Spartabells dated no date given. Found online [Jun. 22, 2017] <http://spartabells.com/>.*

(Continued)

Primary Examiner — Robert M Spear
Assistant Examiner — Ryan Harvey
(74) *Attorney, Agent, or Firm* — Holtz, Holtz & Volek PC

See application file for complete search history.

(57) **CLAIM**

The ornamental design for an exercise weight, as shown and described.

(56) **References Cited**

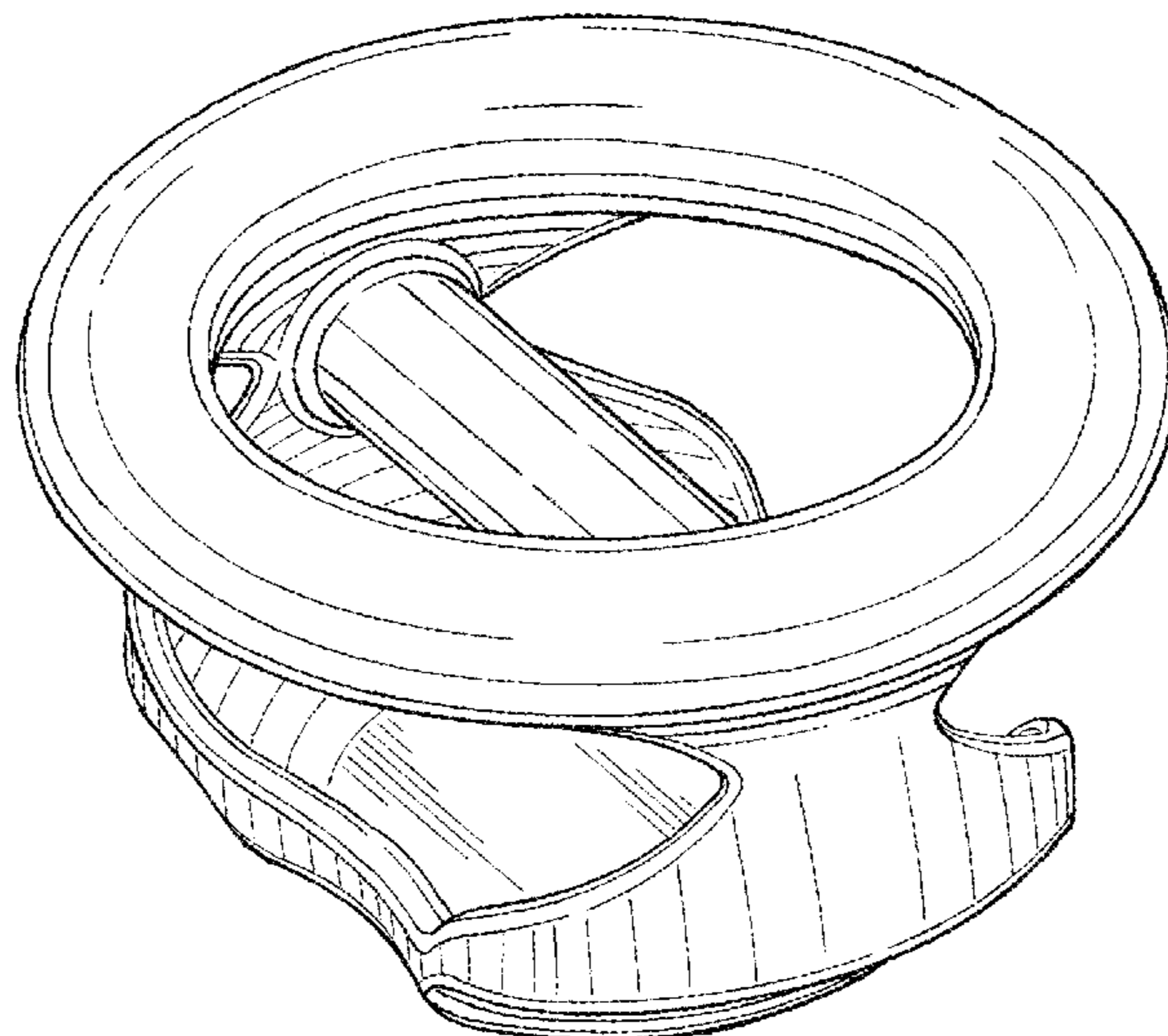
U.S. PATENT DOCUMENTS

113,966 A 4/1871 Ballou
2,447,218 A 8/1948 Trzesniewski
2,878,858 A 3/1959 Winchester
D200,053 S * 1/1965 Edwards D21/681
3,185,476 A 5/1965 Fechner
D203,052 S 11/1965 Weight
3,990,699 A 11/1976 Urmston
D274,283 S * 6/1984 Wright 482/108
4,801,140 A 1/1989 Bergeron
4,813,669 A 3/1989 Caruthers

DESCRIPTION

FIG. 1 is a top, front, left side perspective view of an exercise weight showing my new design;
FIG. 2 is a bottom, front, left side perspective view thereof;
FIG. 3 is a front elevational view thereof, the rear view being a mirror image thereof;
FIG. 4 is a left side elevational view thereof, the right side view being a mirror image thereof;
FIG. 5 is a top plan view thereof; and,
FIG. 6 is a bottom plan view thereof.

1 Claim, 4 Drawing Sheets



(56)

References Cited

U.S. PATENT DOCUMENTS

6,001,049 A 12/1999 Frey
 D432,602 S 10/2000 Savage
 6,672,993 B2 1/2004 Stout
 D515,652 S 2/2006 McCreath
 7,011,611 B1 3/2006 Ripley
 D523,493 S * 6/2006 Horton D21/662
 7,300,389 B2 11/2007 Lien et al.
 D565,356 S 4/2008 Mellen et al.
 D575,361 S * 8/2008 Davis D21/682
 D575,992 S 9/2008 LeGreve et al.
 7,585,262 B1 9/2009 Vayntraub
 D616,949 S 6/2010 Wang
 7,785,240 B2 8/2010 Stugart
 D631,106 S * 1/2011 Zemel D21/662
 D651,671 S 1/2012 Ross et al.
 8,382,647 B1 2/2013 Hodes et al.
 8,454,485 B1 6/2013 Hodes et al.
 D703,773 S * 4/2014 Henry D21/691
 8,888,668 B2 * 11/2014 Delisle A63B 21/075
 482/108
 9,011,300 B2 4/2015 Hodes et al.
 D740,894 S * 10/2015 Slowey D21/680
 D762,788 S * 8/2016 Slowey D21/680
 9,573,014 B2 * 2/2017 Sorin A63B 21/072
 9,630,045 B1 * 4/2017 Martin, Sr. A63B 21/0726
 2003/0134727 A1 7/2003 Yu
 2004/0259691 A1 12/2004 Stout et al.

2007/0142188 A1 6/2007 Lien
 2007/0238578 A1 10/2007 Landfair
 2007/0287600 A1 12/2007 Prenatt
 2009/0075792 A1 3/2009 Stugart
 2010/0069206 A1 3/2010 Viselman
 2010/0130337 A1 5/2010 Stewart
 2011/0028285 A1 2/2011 Towley et al.
 2013/0137555 A1 * 5/2013 Hodes A63B 21/0726
 482/106
 2013/0267393 A1 10/2013 Hodes et al.
 2014/0038795 A1 * 2/2014 Sassano A63B 23/02
 482/141
 2014/0249001 A1 * 9/2014 Malvezzi A63B 21/072
 482/93

OTHER PUBLICATIONS

Spartabells on Instagram by sparta bells dated Aug. 8, 2015. Found online [Jun. 22, 2017] <https://www.instagram.com/p/8k8NNZqcTY/>.
 International Search Report and Written Opinion dated Sep. 17, 2013 (in English) issued in counterpart International Application No. PCT/US2013/043365.
http://www.bosu.com/scripts/cgiip.exe/WService=BOSU/itemdetl.html?item=BOSU_Sport_45&lvl1=1&lvl2=HEquip.
<http://www.dragondoor.com/shop-by-department/equipment/>.
<http://www.fitter1.com/Catalog/Items/BBELL.aspx>.

* cited by examiner

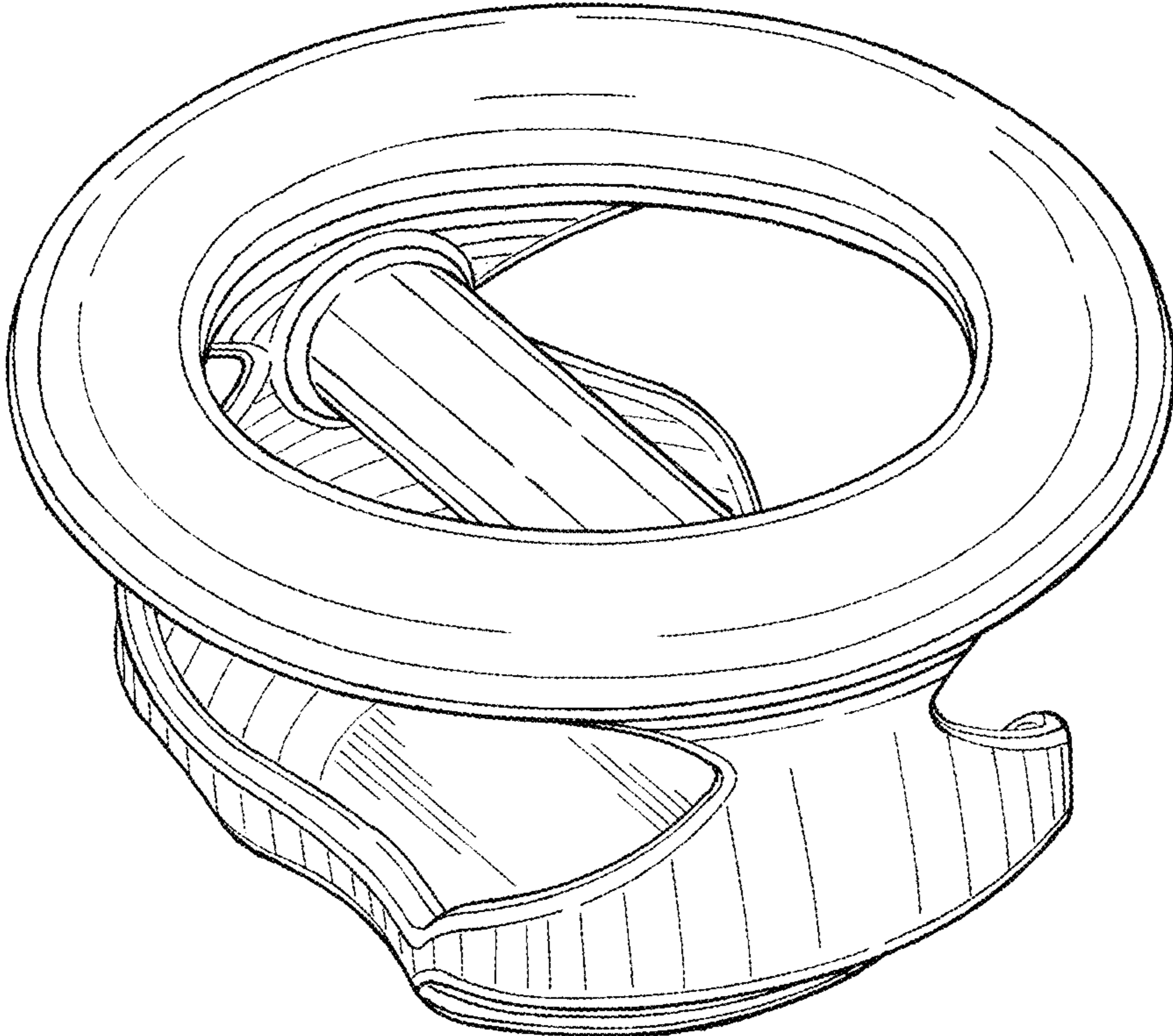


Fig. 1

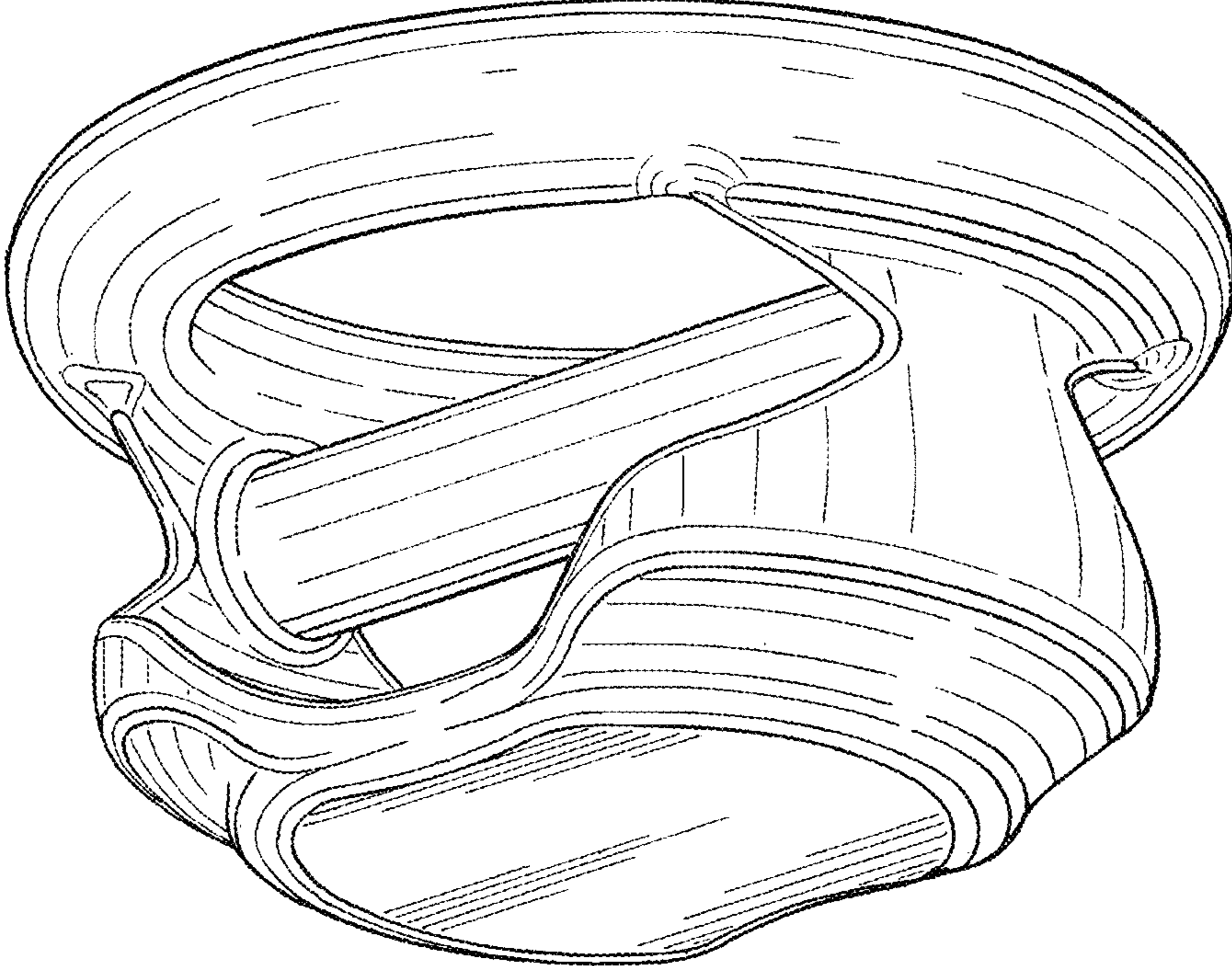


Fig. 2

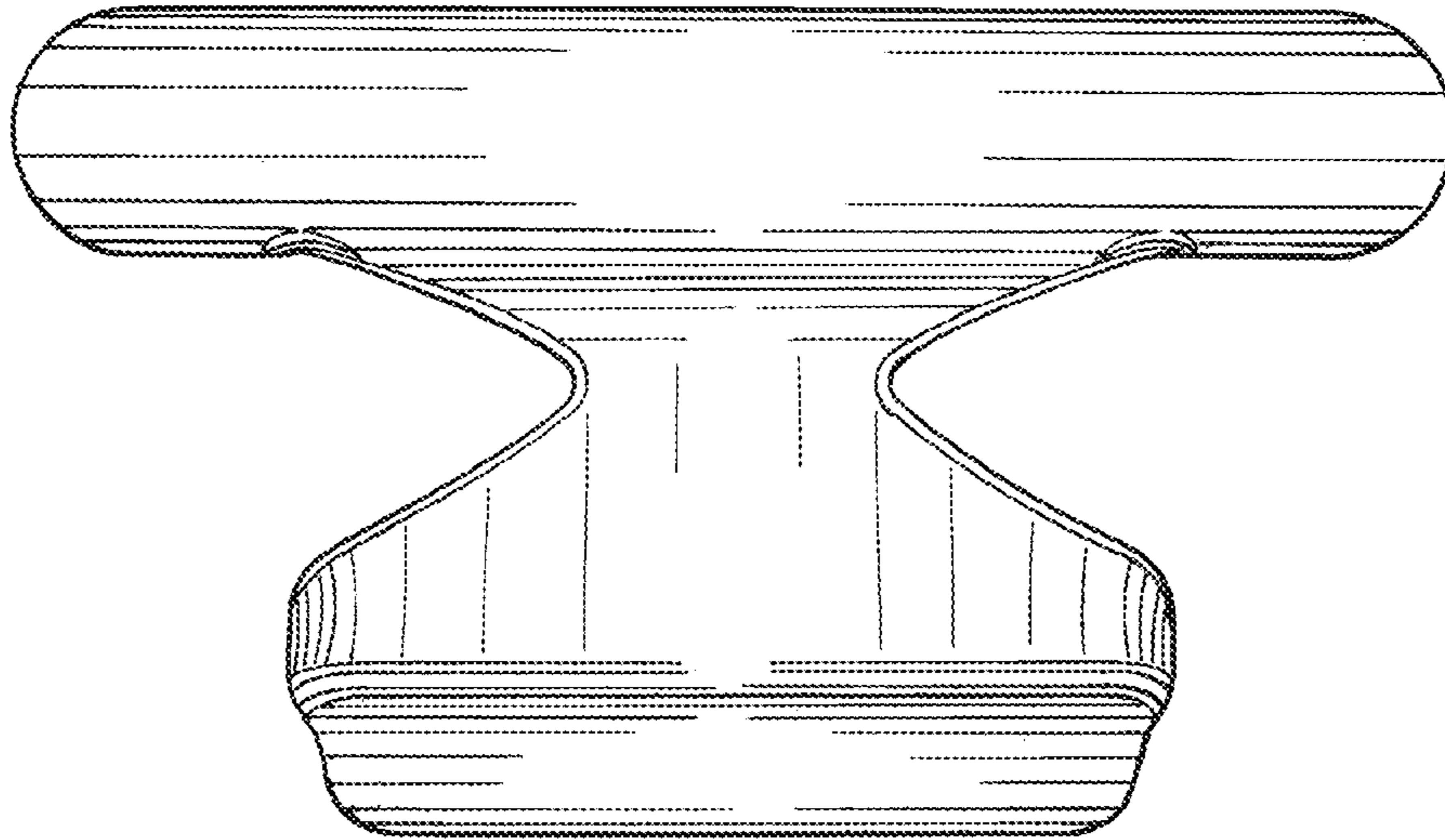


Fig. 3

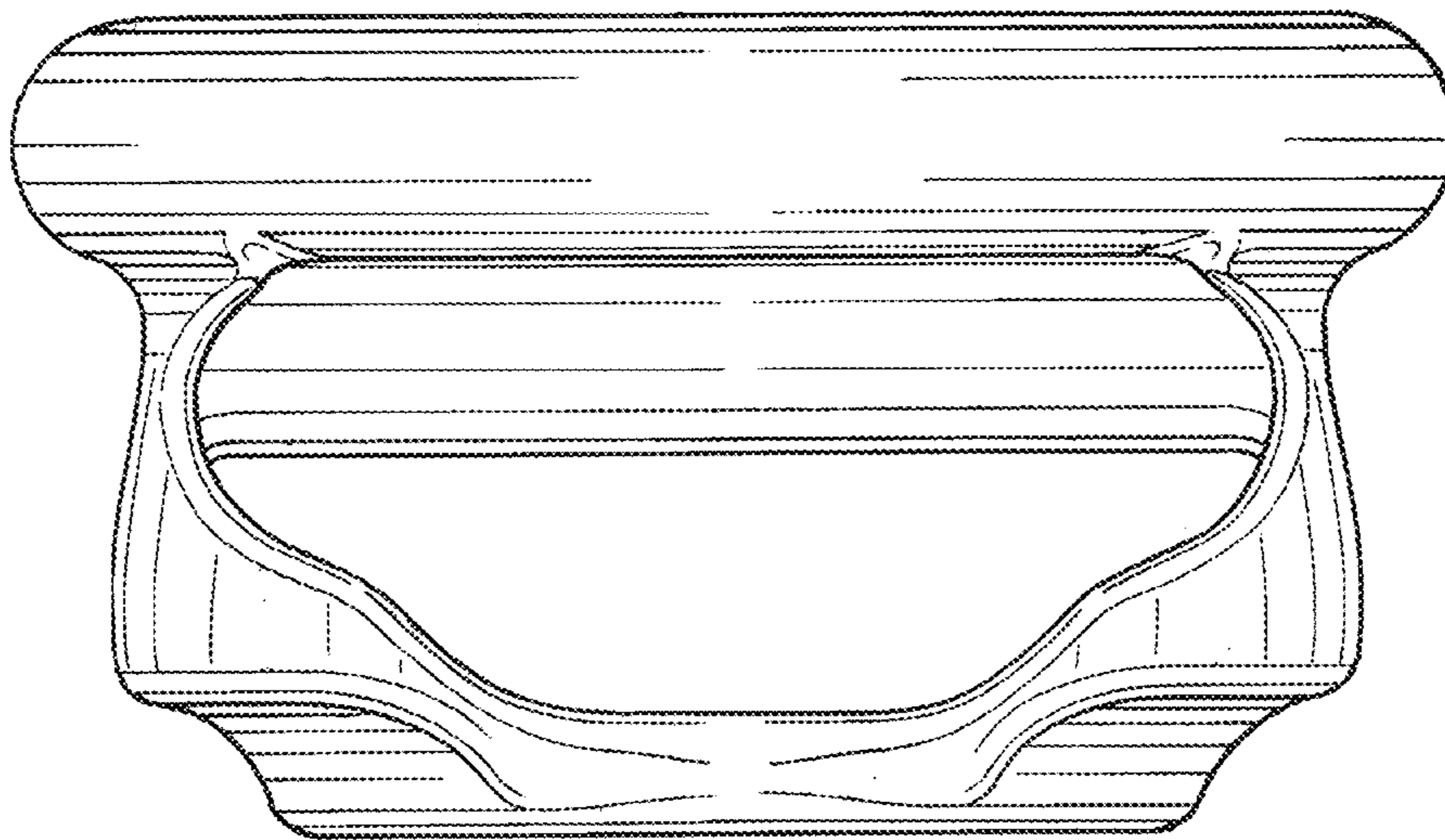


Fig. 4

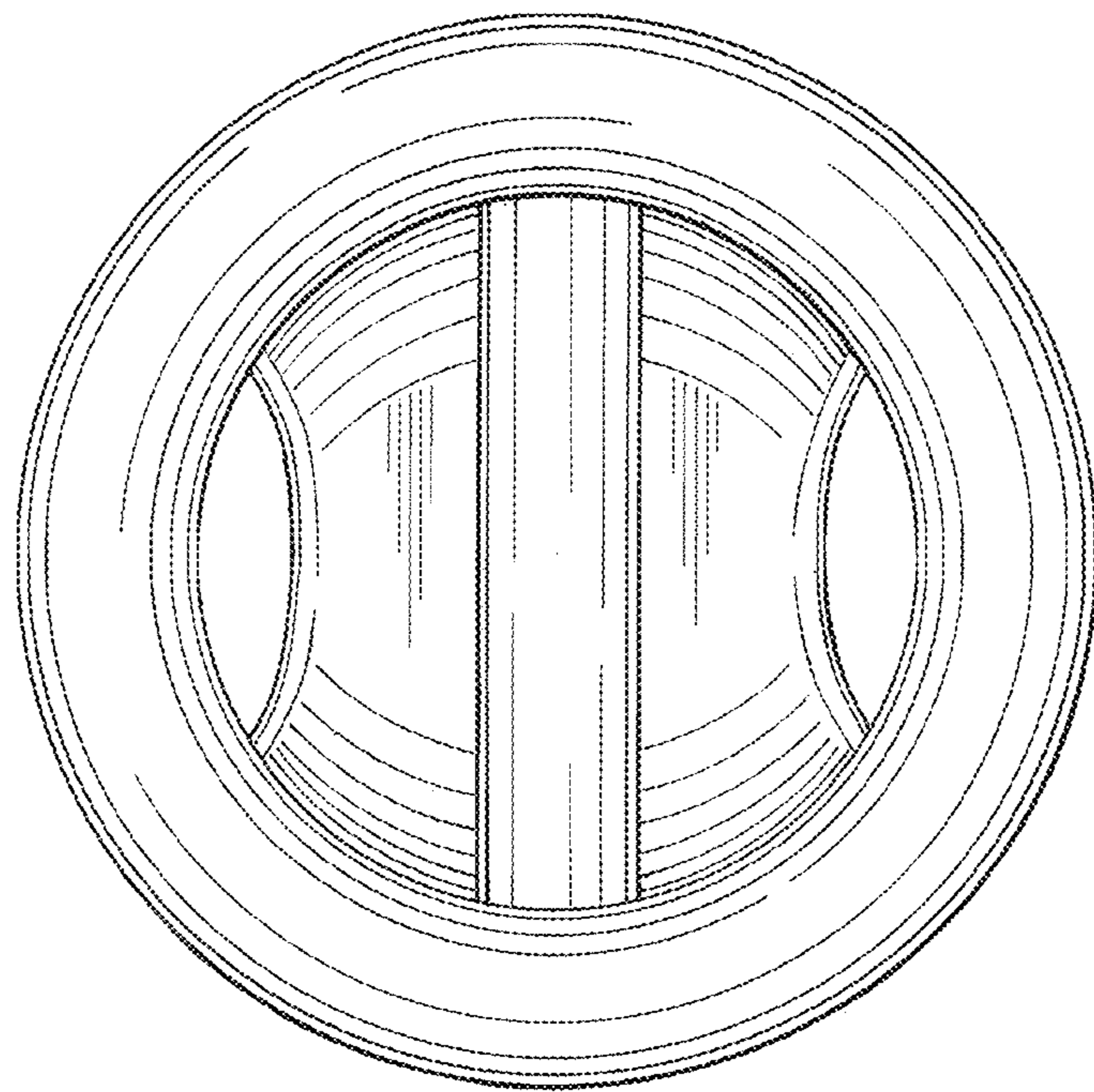


Fig. 5

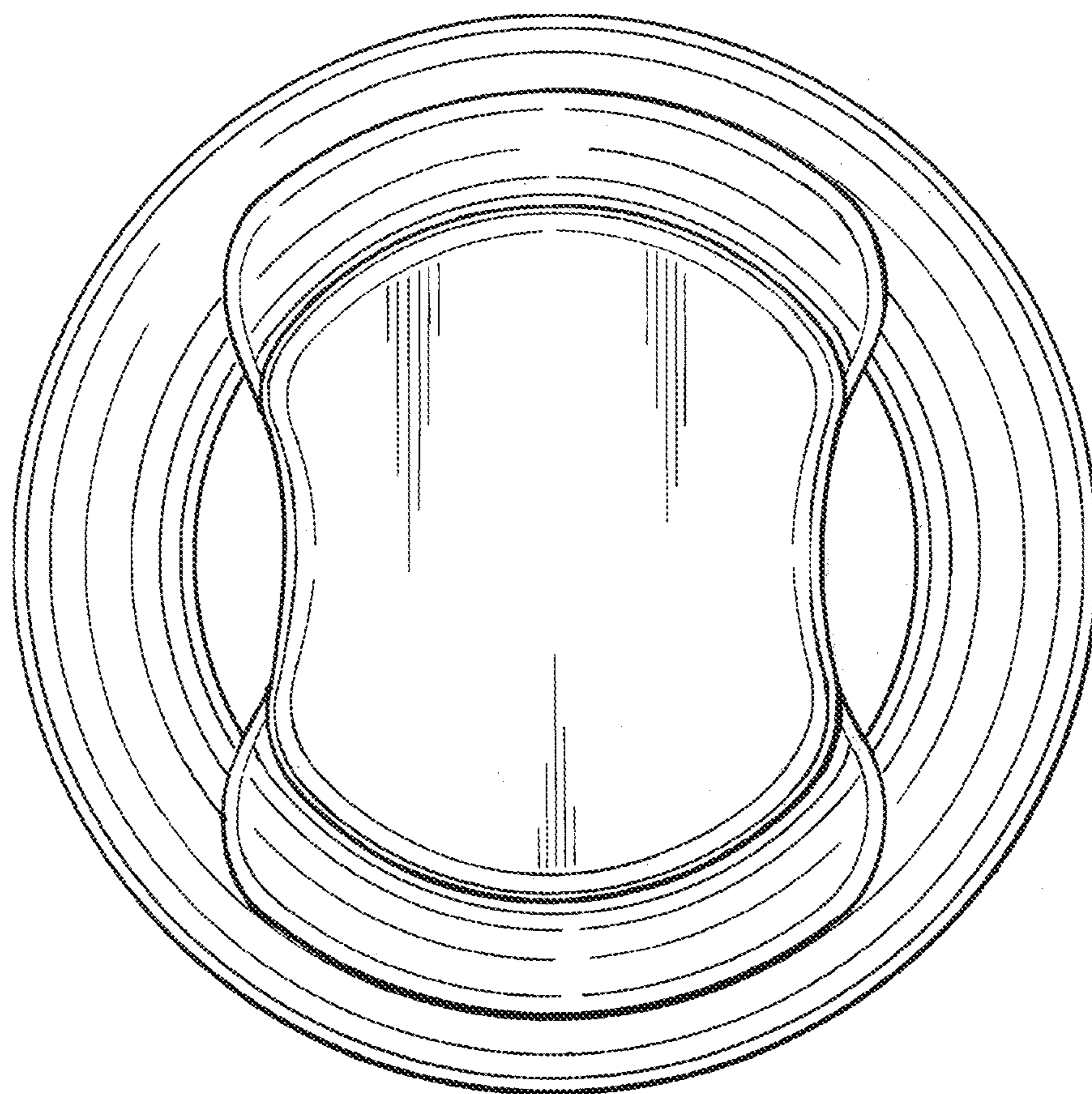


Fig. 6