



US00D805139S

(12) **United States Design Patent** (10) **Patent No.:** **US D805,139 S**  
**Bailey** (45) **Date of Patent:** **\*\* Dec. 12, 2017**

(54) **EXERCISE BAR**  
(71) Applicant: **Scott M. Bailey**, Studio City, CA (US)  
(72) Inventor: **Scott M. Bailey**, Studio City, CA (US)  
(\*\*) Term: **15 Years**  
(21) Appl. No.: **29/565,874**  
(22) Filed: **May 25, 2016**  
(51) **LOC (10) Cl.** ..... **21-02**  
(52) **U.S. Cl.**  
USPC ..... **D21/681**  
(58) **Field of Classification Search**  
USPC ... 482/93, 106, 109, 110, 139, 38, 126, 108,  
482/104, 49, 141, 41, 88, 44, 45, 51, 52,  
482/105, 148; D21/692, 662, 680, 684,  
D21/686, 679, 682, 691, 688, 814, 681,  
D21/694, 713, 398, 707, 693, 797, 789;  
D3/262, 276, 282, 294, 905; D1/120,  
D1/106; D30/160; D9/524; 52/650.2;  
450/59; D24/190, 200  
CPC ..... A63B 21/0728; A63B 21/075; A63B  
21/0724; A63B 21/0726; A63B 21/072;  
A63B 21/078; A63B 21/4017; A63B 1/00  
See application file for complete search history.

(56) **References Cited**  
U.S. PATENT DOCUMENTS  
4,018,442 A \* 4/1977 Galler ..... A63B 21/0724  
482/106  
4,607,840 A \* 8/1986 Harper ..... A63B 21/072  
482/108  
4,986,535 A \* 1/1991 Hull ..... A63B 21/0624  
482/112  
5,074,549 A \* 12/1991 Harvey ..... A63B 23/0494  
482/105  
D347,041 S \* 5/1994 Calderone ..... D12/133  
D354,780 S \* 1/1995 Endelman ..... D21/691  
D354,781 S \* 1/1995 Endelman ..... D21/691

5,390,463 A \* 2/1995 Sollner ..... E04C 3/08  
403/14  
D478,195 S \* 8/2003 McGinty ..... D30/160  
D508,097 S \* 8/2005 Perez ..... D21/662  
6,932,750 B1 \* 8/2005 Dorner ..... A63B 23/12  
482/141  
D563,490 S \* 3/2008 Prenatt ..... D21/680  
D566,800 S \* 4/2008 St. Jules ..... D21/691  
D587,548 S \* 3/2009 O'Toole ..... D8/14  
D636,039 S \* 4/2011 Henniger ..... D21/691  
D665,861 S \* 8/2012 Ecsedy ..... D21/694  
8,574,136 B1 \* 11/2013 Burstrom ..... A63B 69/0057  
482/108  
D742,979 S \* 11/2015 Post ..... D21/686  
2002/0119872 A1 \* 8/2002 Greenheck ..... A63B 21/072  
482/93  
2003/0130096 A1 \* 7/2003 LaCroce ..... A63B 21/0724  
482/106  
2004/0204292 A1 \* 10/2004 Chu ..... A63B 1/00  
482/41  
2007/0287600 A1 \* 12/2007 Prenatt ..... A63B 21/0603  
482/41

(Continued)

*Primary Examiner* — Robert M Spear  
*Assistant Examiner* — Ryan Harvey  
(74) *Attorney, Agent, or Firm* — Thompson Coburn LLP

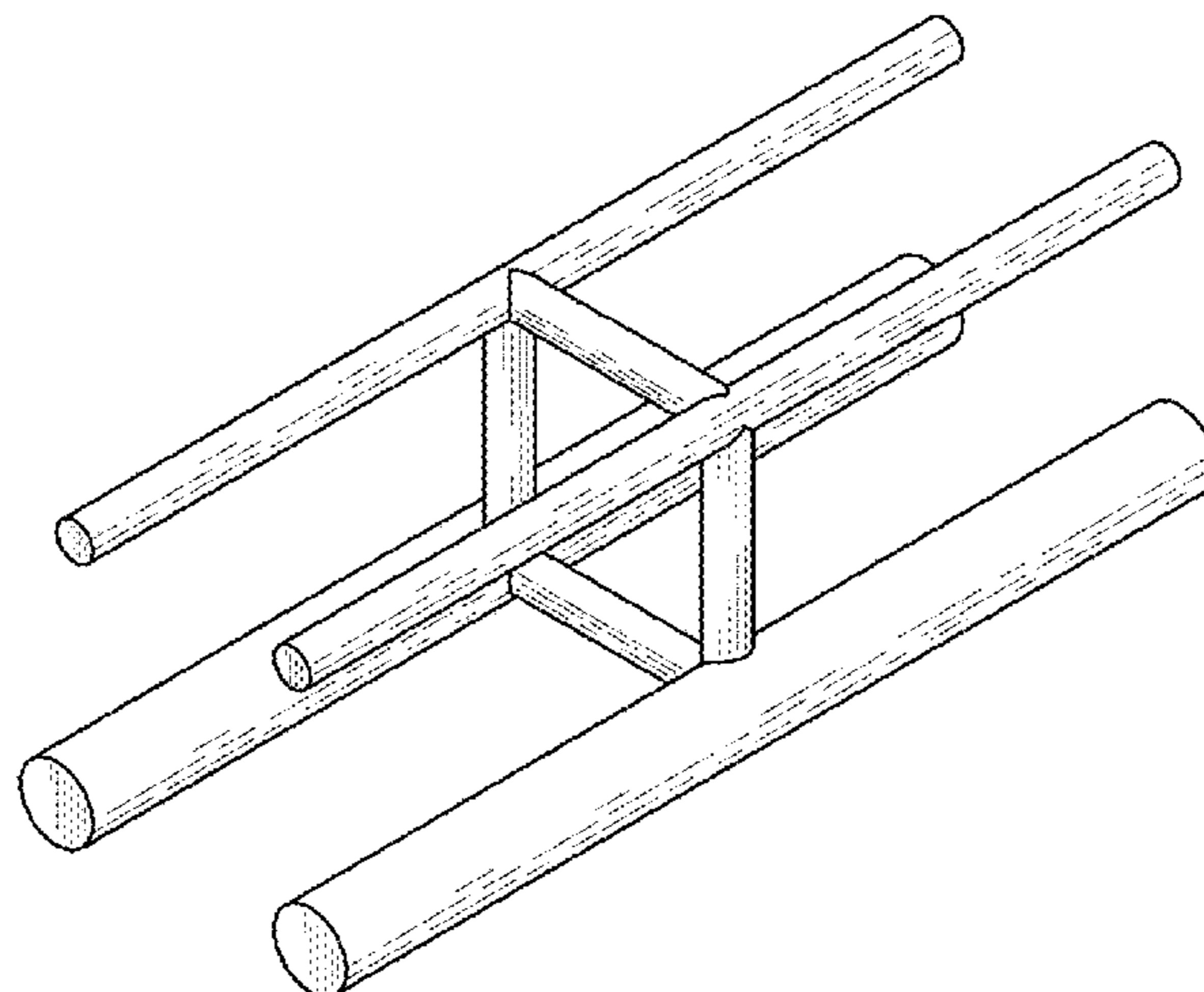
(57) **CLAIM**

The ornamental design for an exercise bar, as shown and described.

**DESCRIPTION**

FIG. 1 is a perspective view of an exercise bar of my new design.  
FIG. 2 is a left side view of the exercise bar of FIG. 1 (the right side view being identical).  
FIG. 3 is a front view of the exercise bar of FIG. 1 (the rear view being identical thereto).  
FIG. 4 is a top view of the exercise bar of FIG. 1; and,  
FIG. 5 is a bottom view of the exercise bar of FIG. 1.

**1 Claim, 2 Drawing Sheets**



(56)

**References Cited**

U.S. PATENT DOCUMENTS

2011/0312475 A1\* 12/2011 Towley, III ..... A63B 21/075  
482/107  
2014/0094347 A1\* 4/2014 Orakwusi ..... A63B 21/1636  
482/38  
2014/0287889 A1\* 9/2014 Grace ..... A63B 21/0728  
482/106  
2015/0011370 A1\* 1/2015 Henniger ..... A63B 21/00047  
482/145  
2015/0065316 A1\* 3/2015 Towley, III ..... A63B 21/00047  
482/104

\* cited by examiner

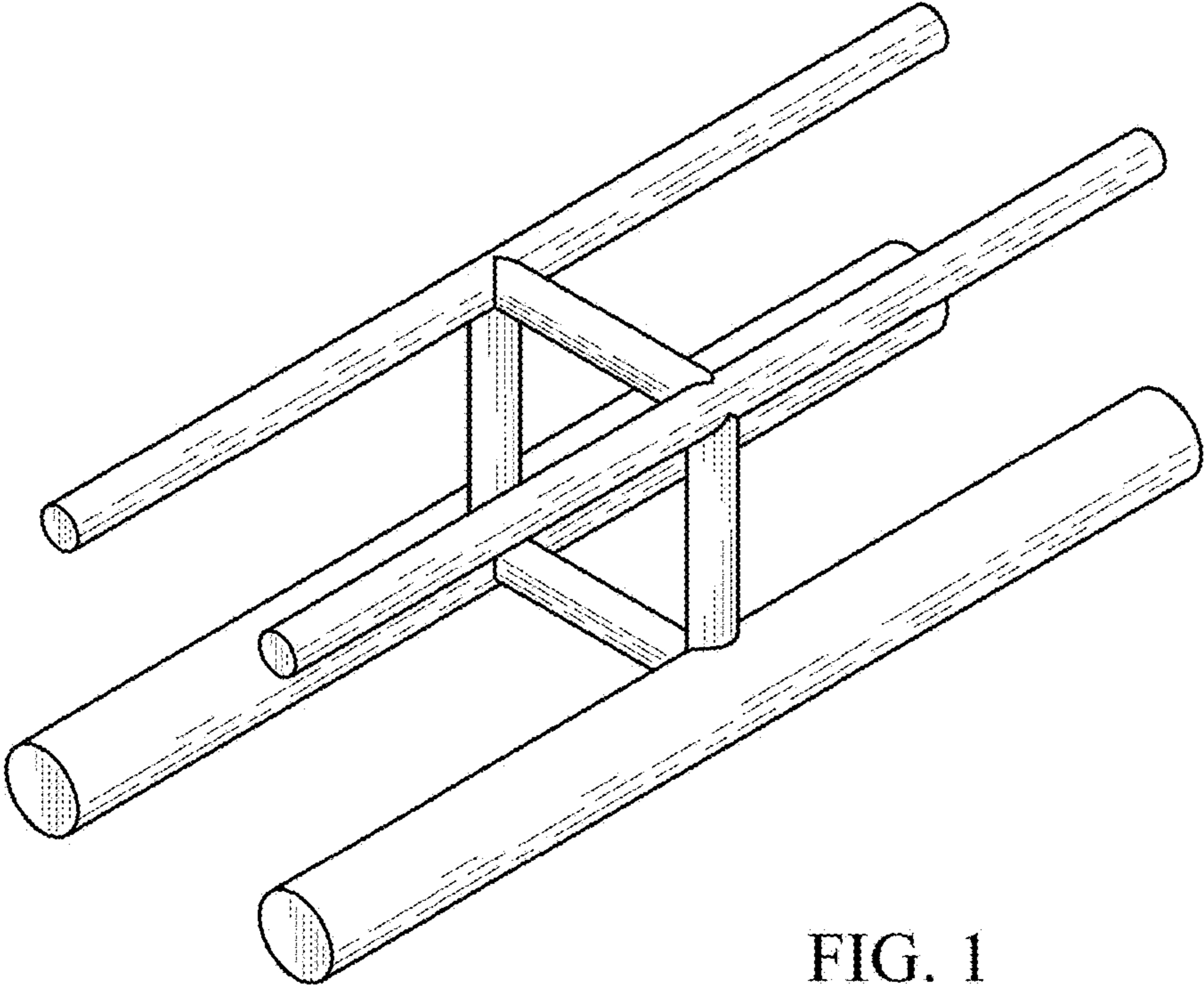


FIG. 1

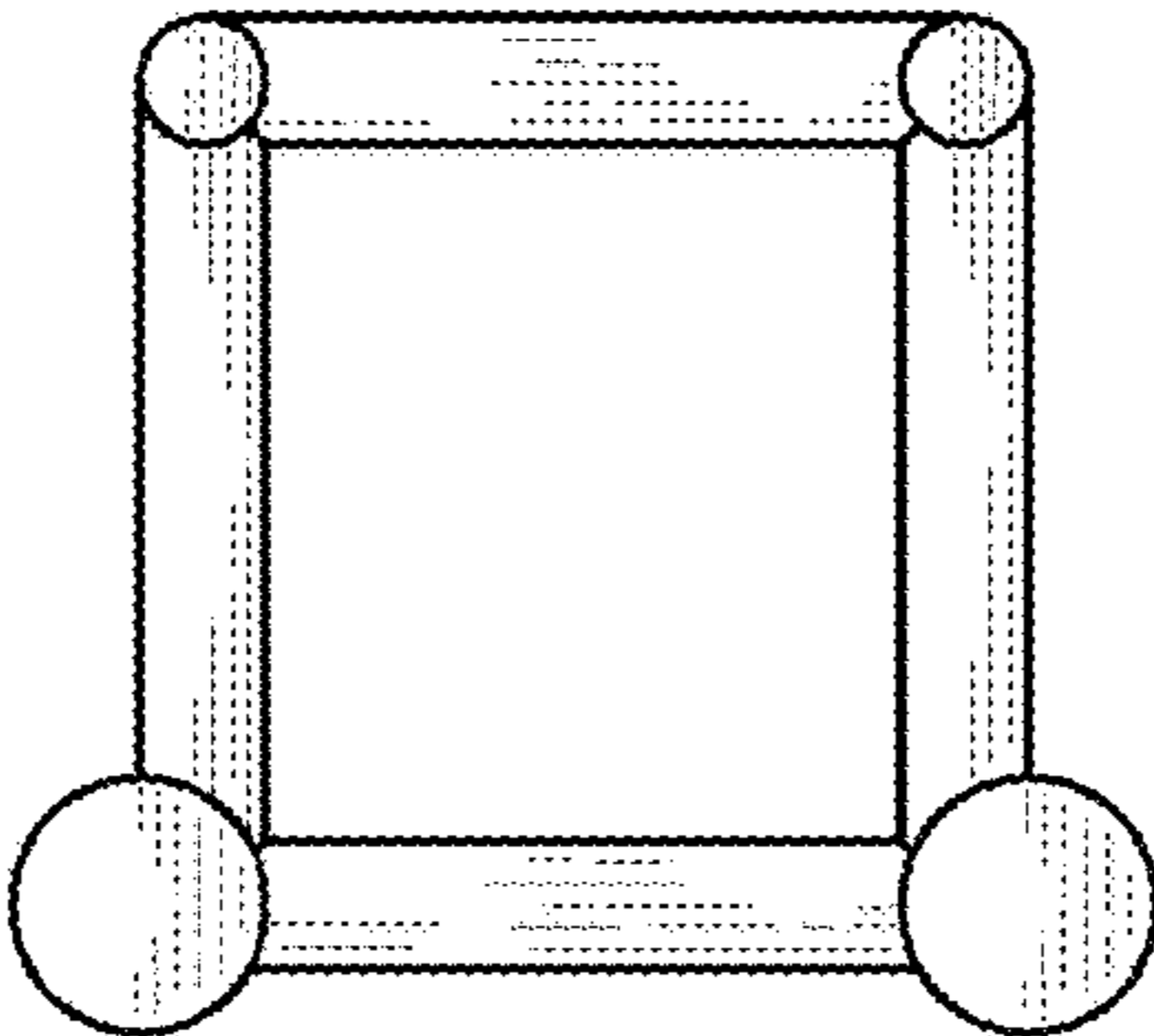


FIG. 2

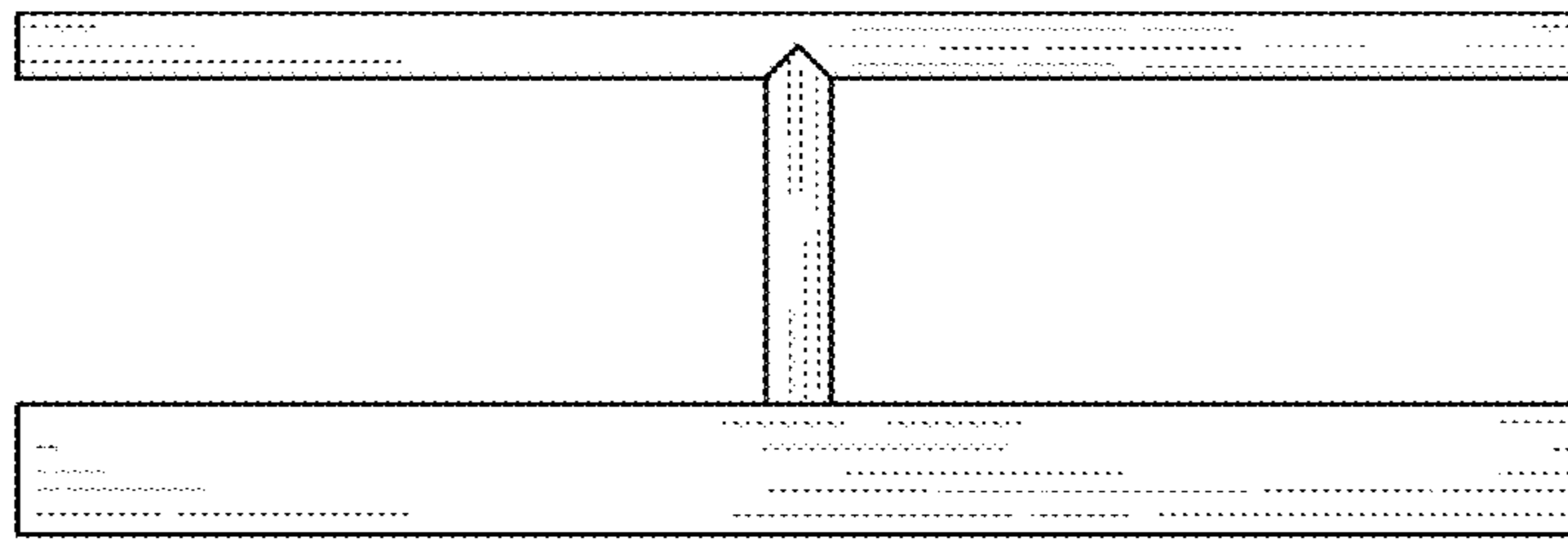


FIG. 3

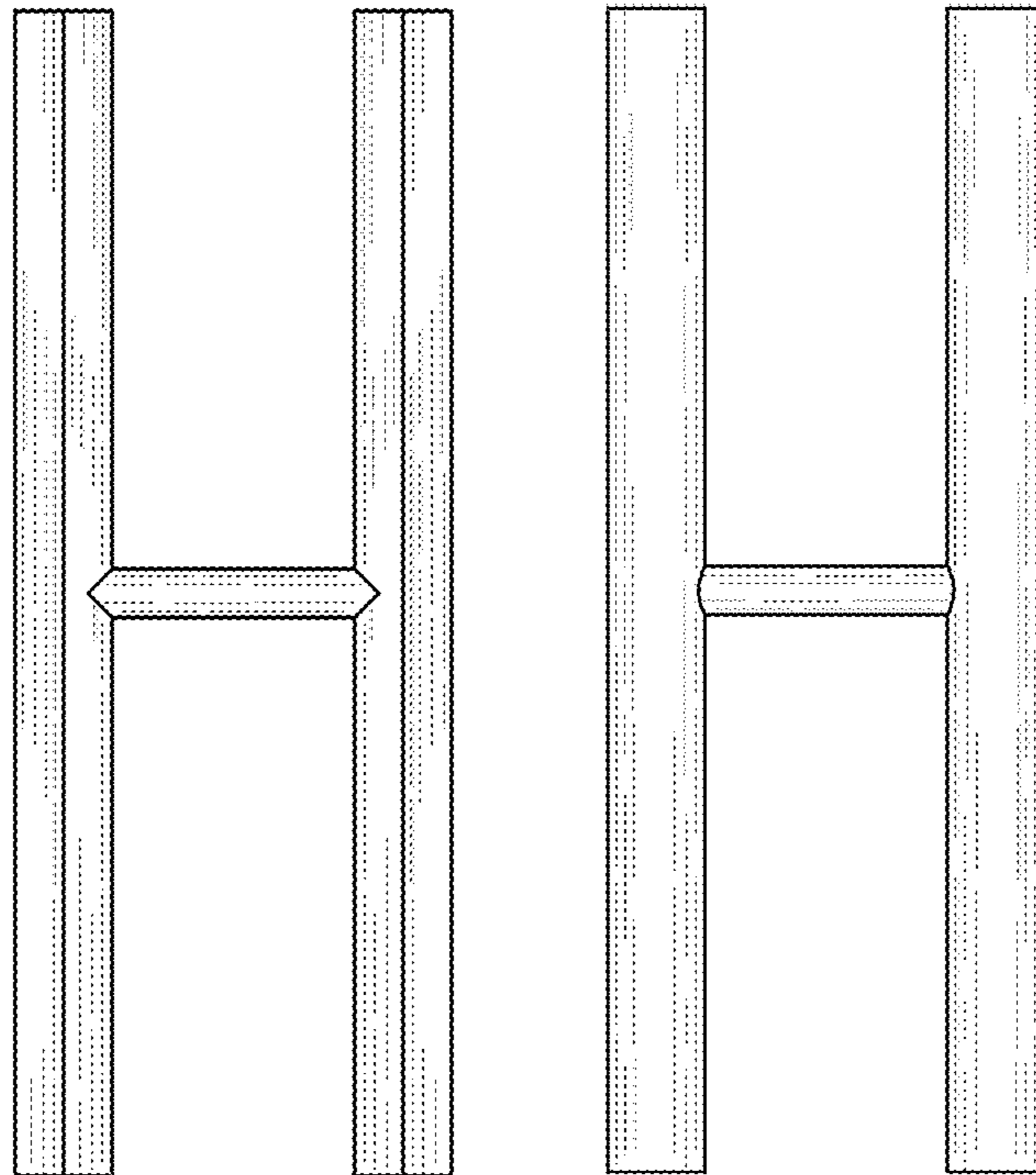


FIG. 4

FIG. 5