



US00D805137S

(12) **United States Design Patent** (10) **Patent No.:** **US D805,137 S**  
**Exley** (45) **Date of Patent:** **\*\* Dec. 12, 2017**

(54) **CIRCULAR TOY STREET SIGN** 6,585,586 B1 \* 7/2003 Romero ..... A63F 3/00157  
273/274  
(71) Applicant: **Ontel Products Corporation**, Fairfield, NJ (US) D593,162 S \* 5/2009 Sanchez ..... D20/10  
D598,053 S \* 8/2009 Sanchez ..... D14/159  
2008/0028652 A1 \* 2/2008 Makhija ..... G09F 3/20  
40/606.15

(72) Inventor: **Ross Exley**, Morristown, NJ (US)  
(73) Assignee: **Ontel Products Corporation**, Fairfield, NJ (US)  
(\*\*) Term: **15 Years**

(21) Appl. No.: **29/587,170**

(22) Filed: **Dec. 11, 2016**

(51) **LOC (10) Cl.** ..... **21-01**

(52) **U.S. Cl.**  
USPC ..... **D21/483**

(58) **Field of Classification Search**  
USPC ..... D21/300, 334, 335, 363, 365, 385, 386,  
D21/388, 389, 392, 396, 397, 483, 484,  
D21/488-491, 493, 494, 506, 507, 576,  
D21/621, 627; D25/113-115, 118  
CPC ..... A63F 1/001; A63F 1/003; A63F 1/005;  
A63F 1/006; A63F 1/062; A63F 1/067;  
A63F 1/08; A63F 1/10; A63F 1/12; A63F  
1/14; A63F 7/0017; A63F 7/0023; A63F  
9/20

See application file for complete search history.

(56) **References Cited**

**U.S. PATENT DOCUMENTS**

D142,673 S \* 10/1945 Schirokauer ..... D21/389  
D243,105 S \* 1/1977 Radmall ..... D21/386  
4,804,327 A \* 2/1989 Miller ..... B43L 1/008  
434/409  
5,575,713 A \* 11/1996 Benoit ..... B65C 7/003  
12/142 LC

**OTHER PUBLICATIONS**

NEO Tracks (Trax) Raceway & Train Systems—Mindscope Products <http://www.mindscopeproducts.com/products/neo-tracks>; 2 pgs.

\* cited by examiner

*Primary Examiner* — George D. Kirschbaum

*Assistant Examiner* — Joseph J. Kukella

(74) *Attorney, Agent, or Firm* — John S. Artz; Dickinson Wright PLLC

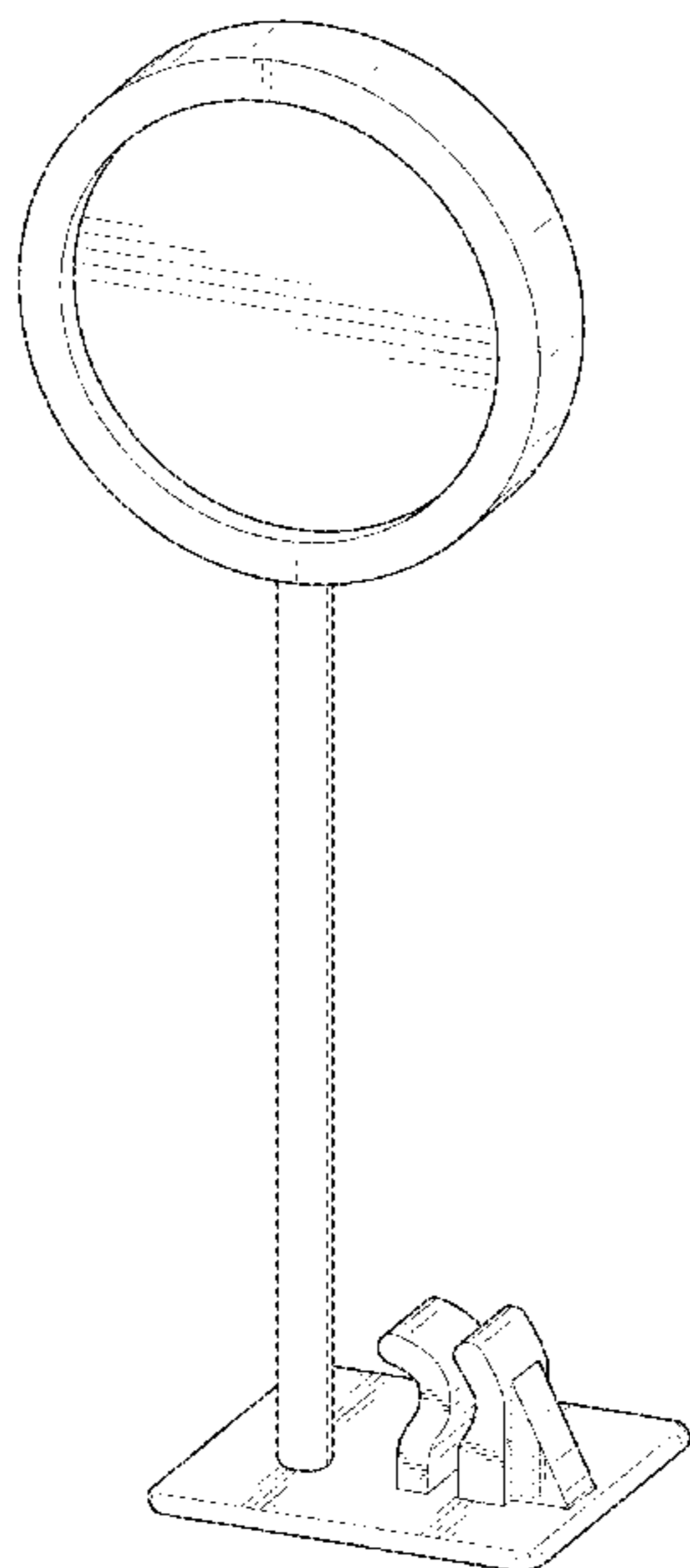
(57) **CLAIM**

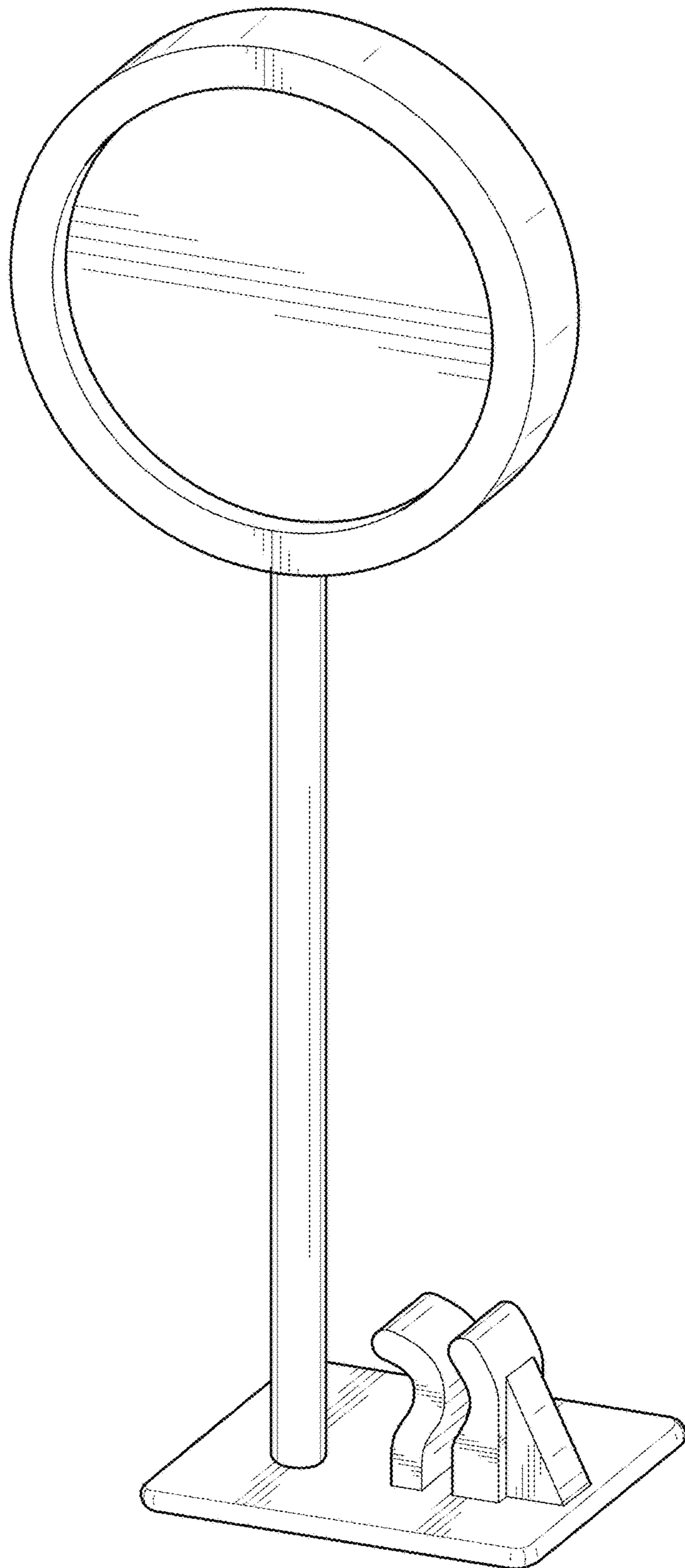
The ornamental design for a circular toy street sign, as shown and described.

**DESCRIPTION**

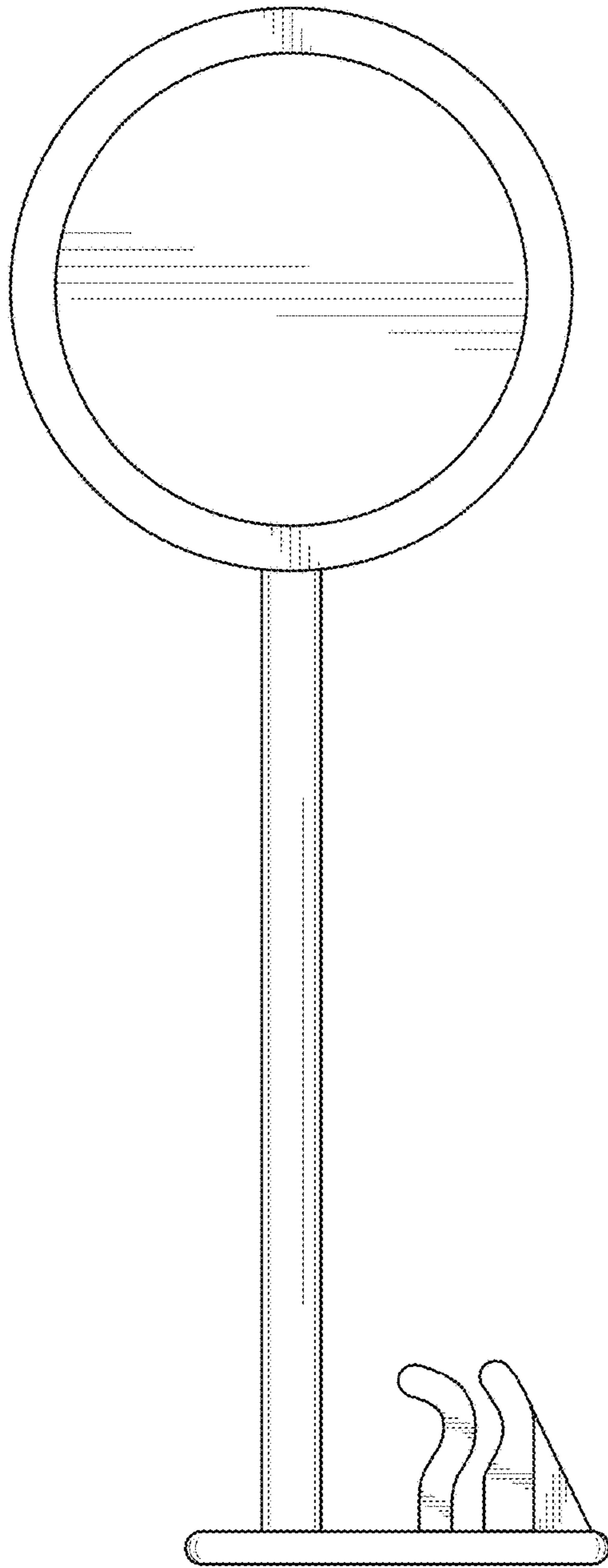
FIG. 1 is a perspective view of a circular toy street sign; FIG. 2 is a front view of the circular toy street sign of FIG. 1; FIG. 3 is a right side view of the circular toy street sign of FIG. 1; FIG. 4 is a left side view of the circular toy street sign of FIG. 1; FIG. 5 is a back view of the circular toy street sign of FIG. 1; FIG. 6 is a top view of the circular toy street sign of FIG. 1; and, FIG. 7 is a bottom view of the circular toy street sign of FIG. 1.

**1 Claim, 4 Drawing Sheets**

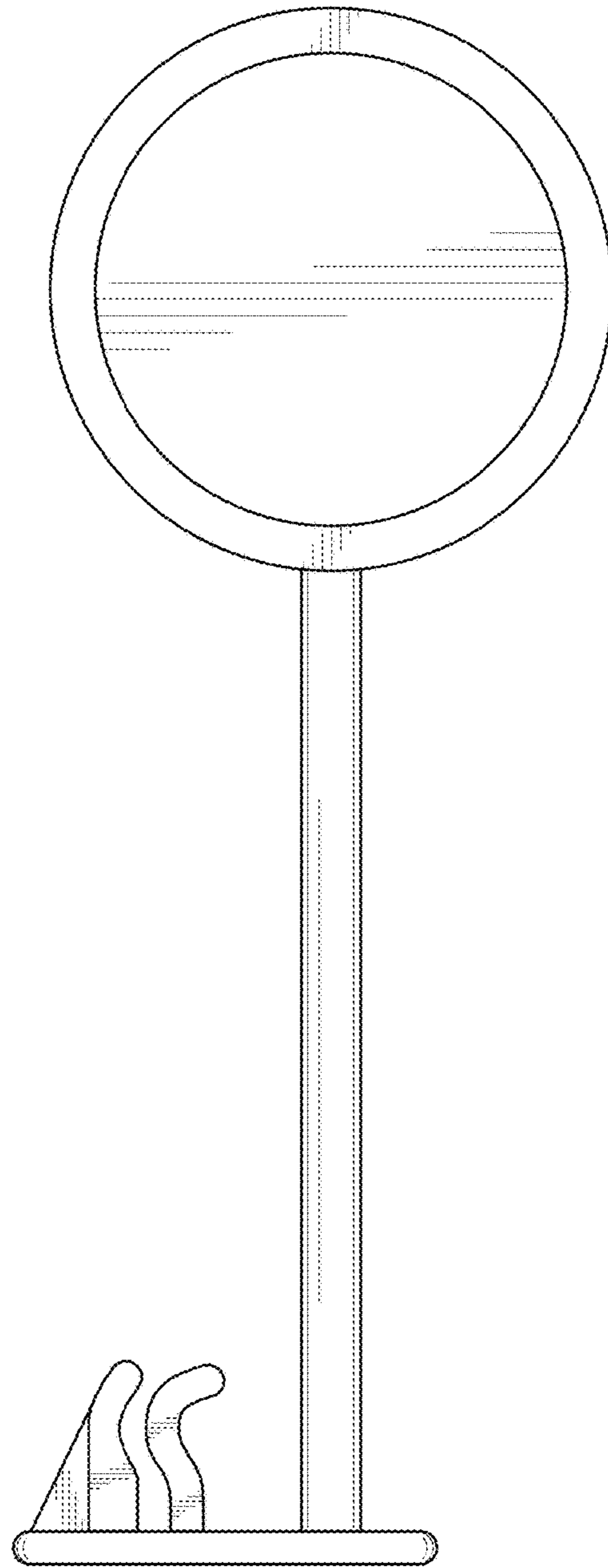




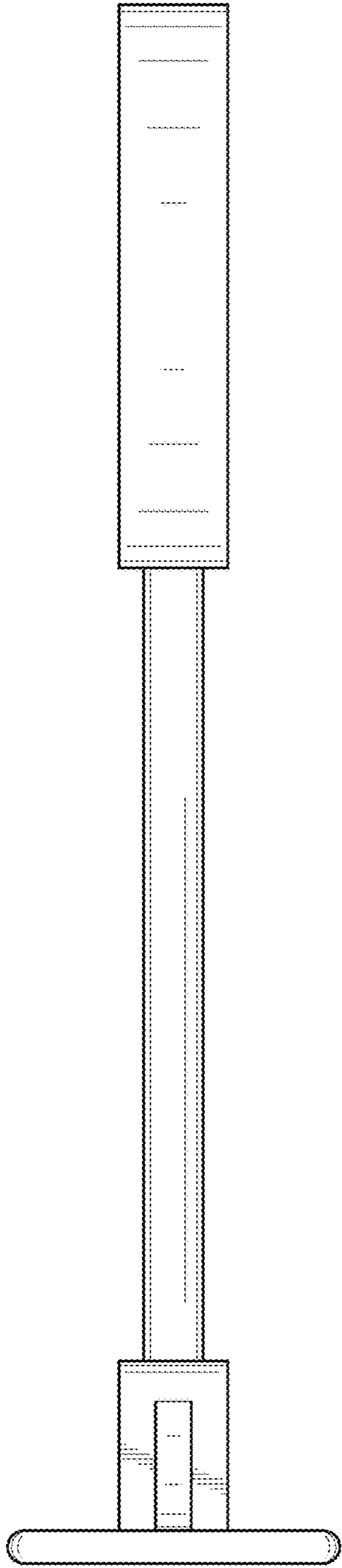
**FIG. 1**



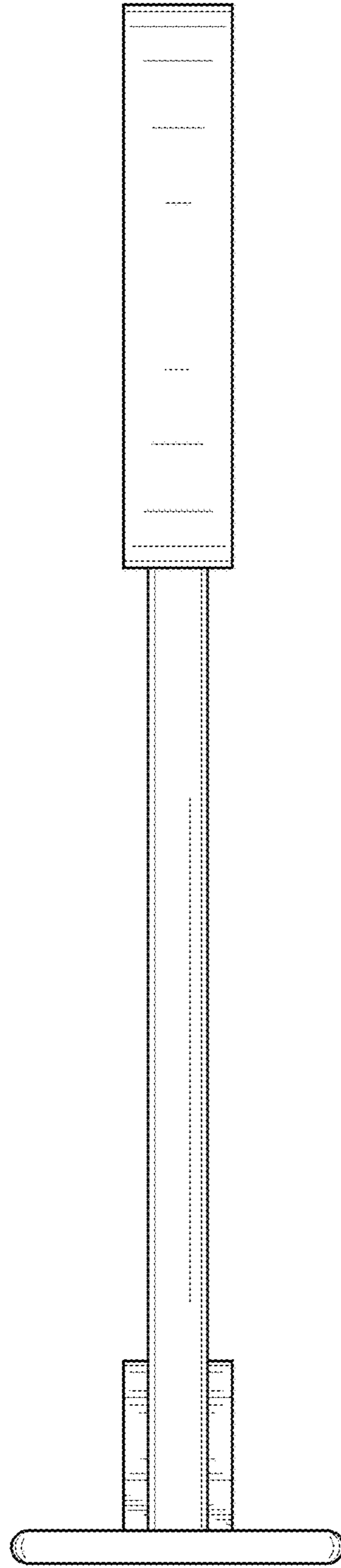
**FIG. 2**



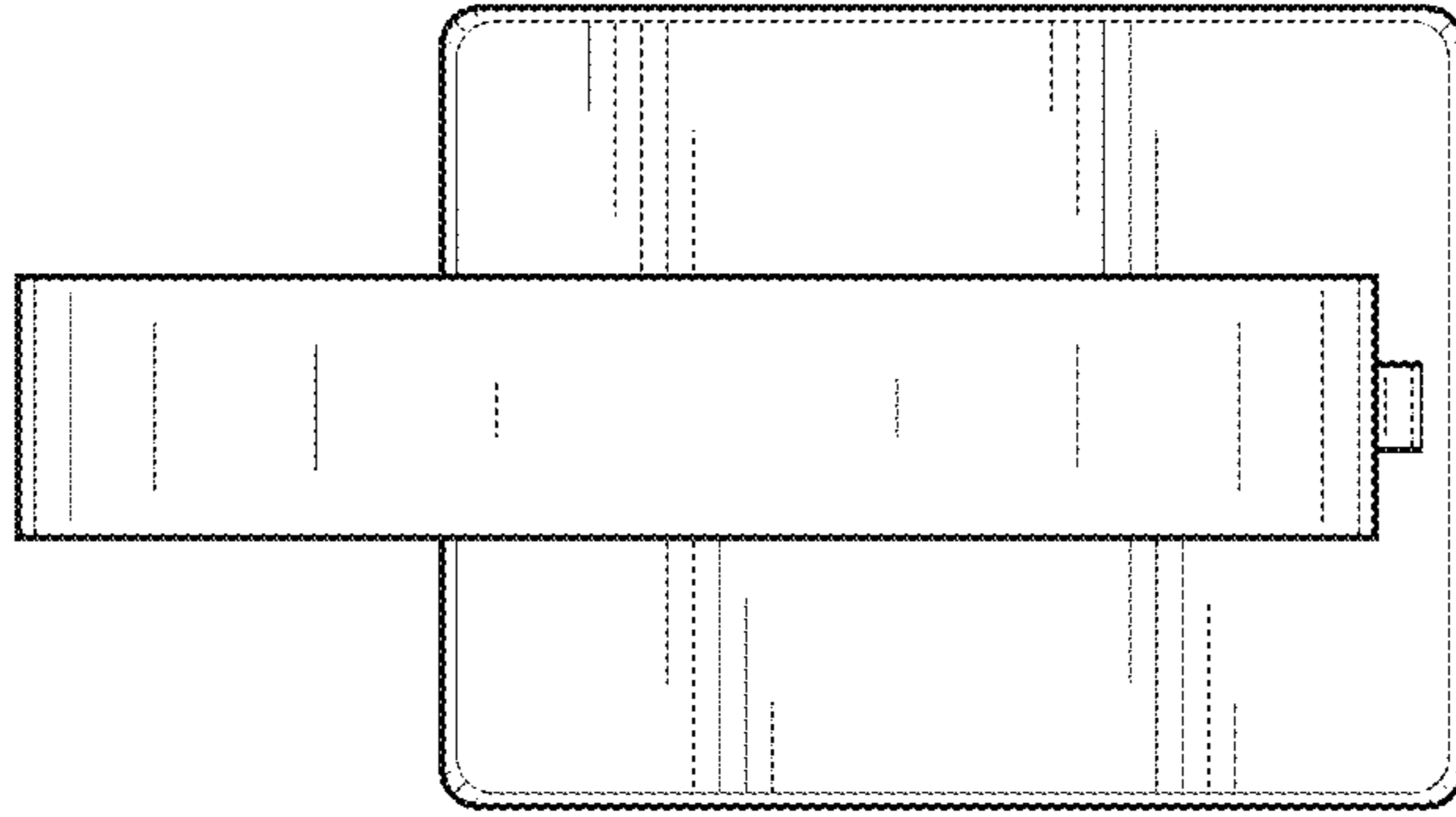
**FIG. 3**



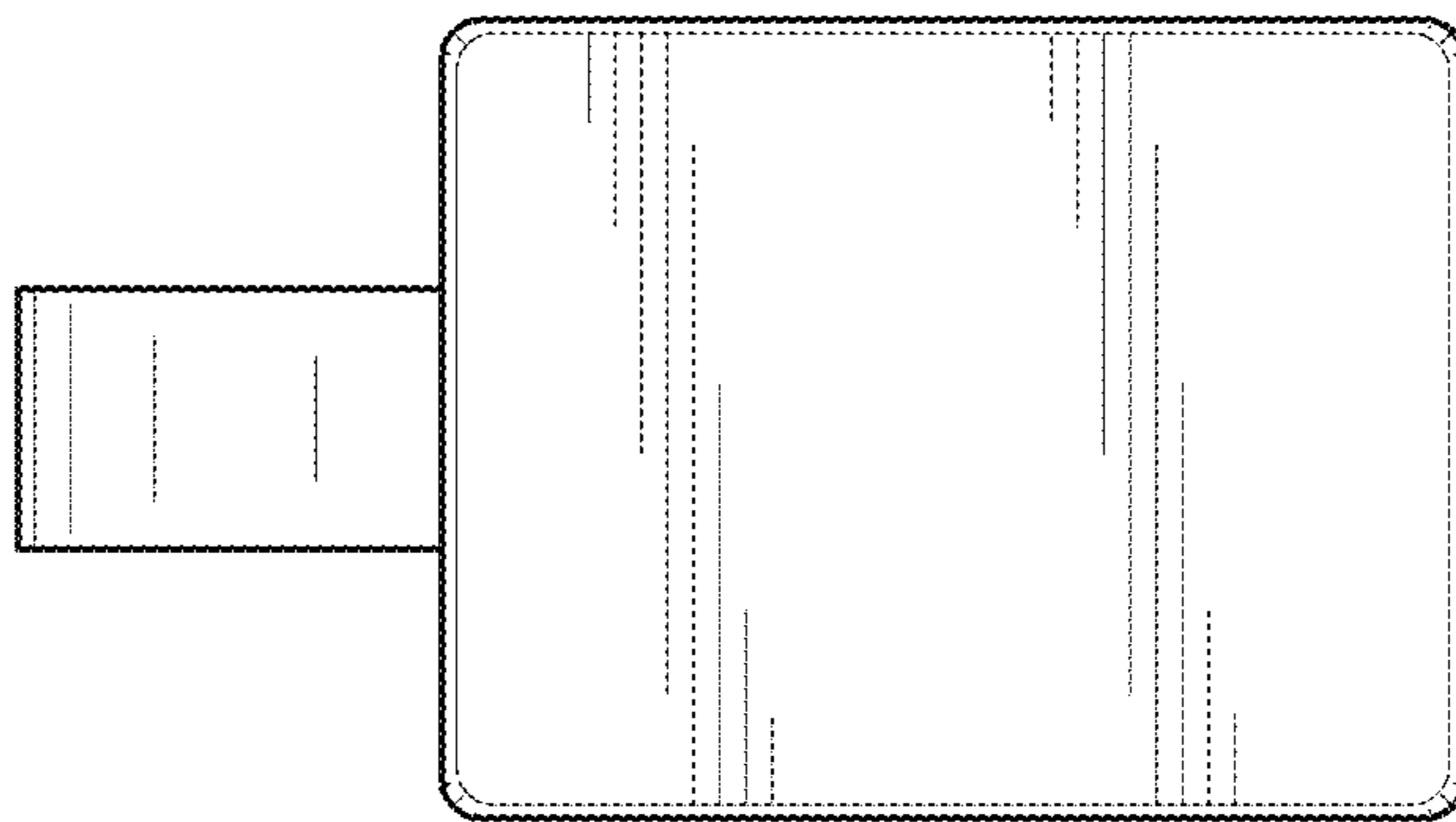
**FIG. 4**



**FIG. 5**



**FIG. 6**



**FIG. 7**