

US00D805136S

(12) **United States Design Patent**
Wright

(10) **Patent No.:** **US D805,136 S**

(45) **Date of Patent:** **** Dec. 12, 2017**

(54) **KICK SCOOTER**

(71) Applicant: **Christian J. Wright**, Melrose, MA
(US)

(72) Inventor: **Christian J. Wright**, Melrose, MA
(US)

(**) Term: **15 Years**

(21) Appl. No.: **29/589,253**

(22) Filed: **Dec. 29, 2016**

(51) **LOC (10) Cl.** **21-01**

(52) **U.S. Cl.**
USPC **D21/423**

(58) **Field of Classification Search**
USPC D21/412, 414, 419, 423-428, 431-435;
280/274-280, 281.1, 283-288,
280/288.1-288.4; D12/111, 117
CPC . B62K 3/00; B62K 3/005; B62K 9/00; B62K
19/00; B62K 19/02; B62K 19/04; B62K
19/06; B62K 19/16

See application file for complete search history.

(56) **References Cited**

U.S. PATENT DOCUMENTS

D504,845 S *	5/2005	Coerschulte	D12/111
D537,758 S *	3/2007	Grepper	D12/111
D558,647 S *	1/2008	Seckel	D12/111
D561,649 S *	2/2008	Latham	D12/111
D597,147 S *	7/2009	Verlinden	D21/424

D668,586 S *	10/2012	Golias	D12/111
8,286,974 B2 *	10/2012	Chen	B62K 9/00 280/1.188
D671,173 S *	11/2012	Tompkin	D12/111
D721,990 S *	2/2015	Lugo	D12/111
D729,700 S *	5/2015	De Roeck	D12/111
D735,620 S *	8/2015	Pape	D12/111

* cited by examiner

Primary Examiner — Cynthia M Chin

(74) *Attorney, Agent, or Firm* — Coleman & MacDonald
Law Off.

(57) **CLAIM**

The ornamental design for a kick scooter, as shown and described.

DESCRIPTION

FIG. 1 is a perspective view of a kick scooter according to my new design;

FIG. 2 is a front view of the kick scooter of FIG. 1;

FIG. 3 is a rear view of the kick scooter of FIG. 1;

FIG. 4 is a left side view of the kick scooter of FIG. 1;

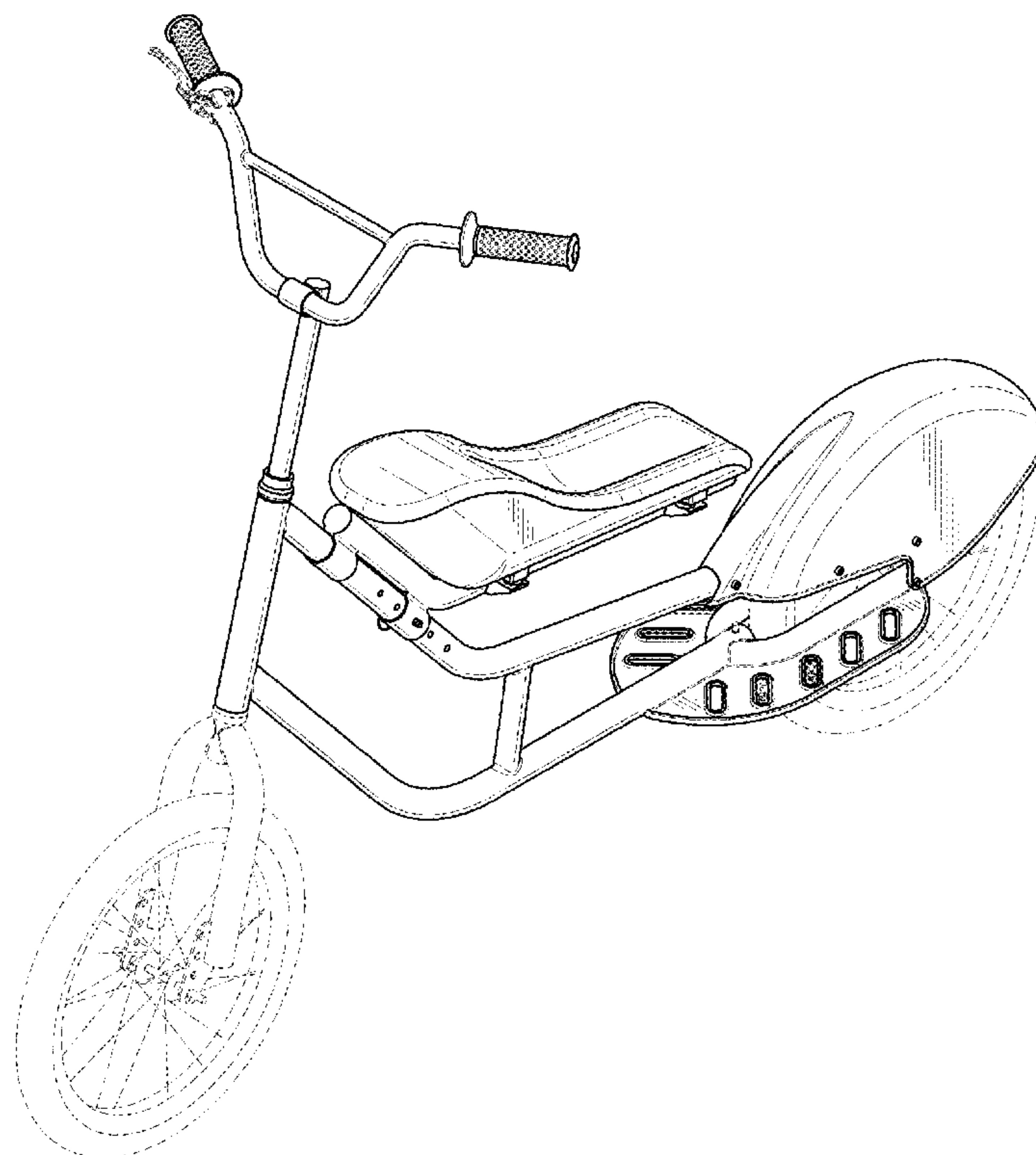
FIG. 5 is a right side view of the kick scooter of FIG. 1;

FIG. 6 is a top view of the kick scooter of FIG. 1; and,

FIG. 7 is a bottom view of the kick scooter of FIG. 1.

The broken lines are included for the purpose of illustrating portions of the article that form no part of the claimed design.

1 Claim, 7 Drawing Sheets



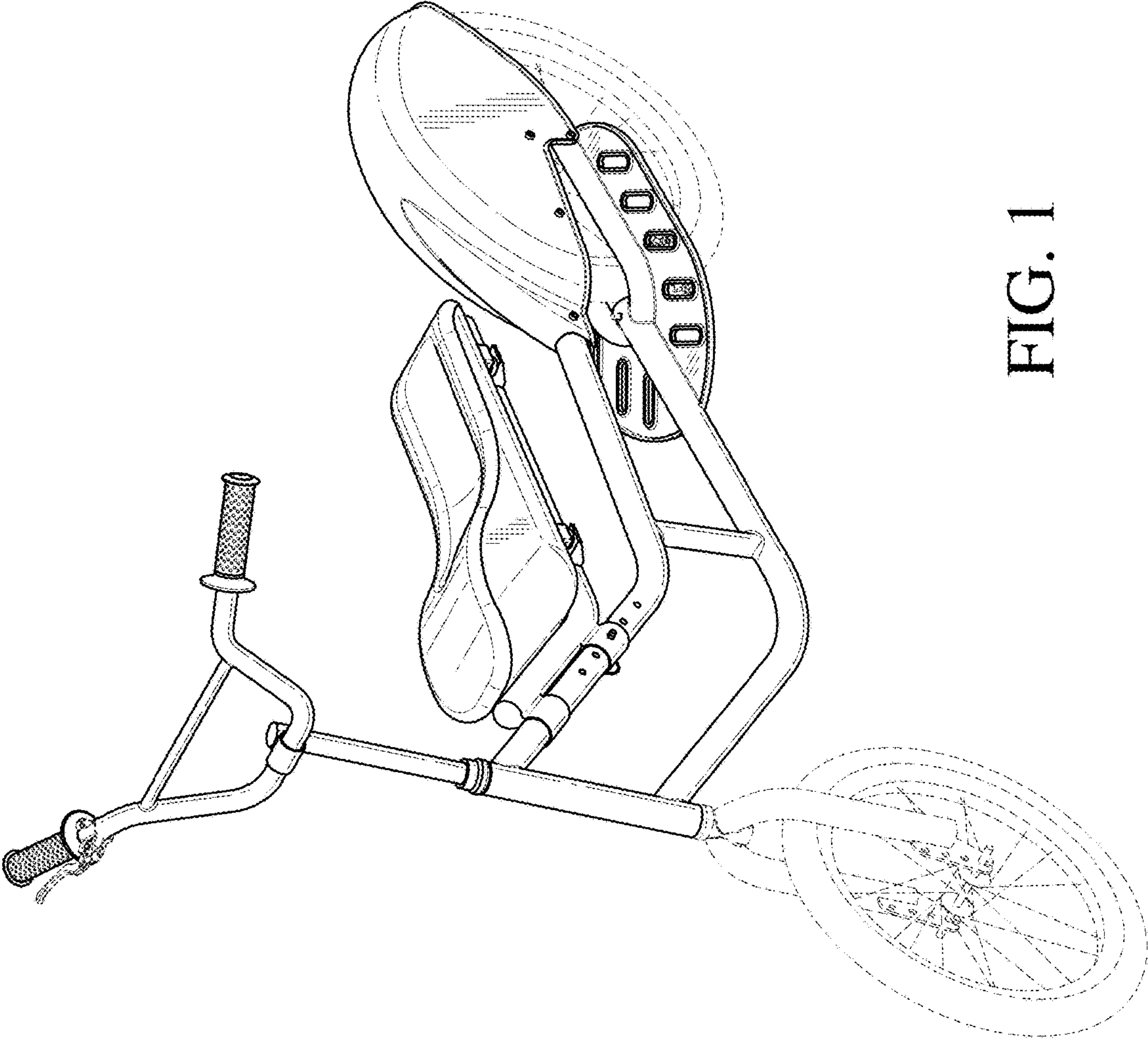


FIG. 1

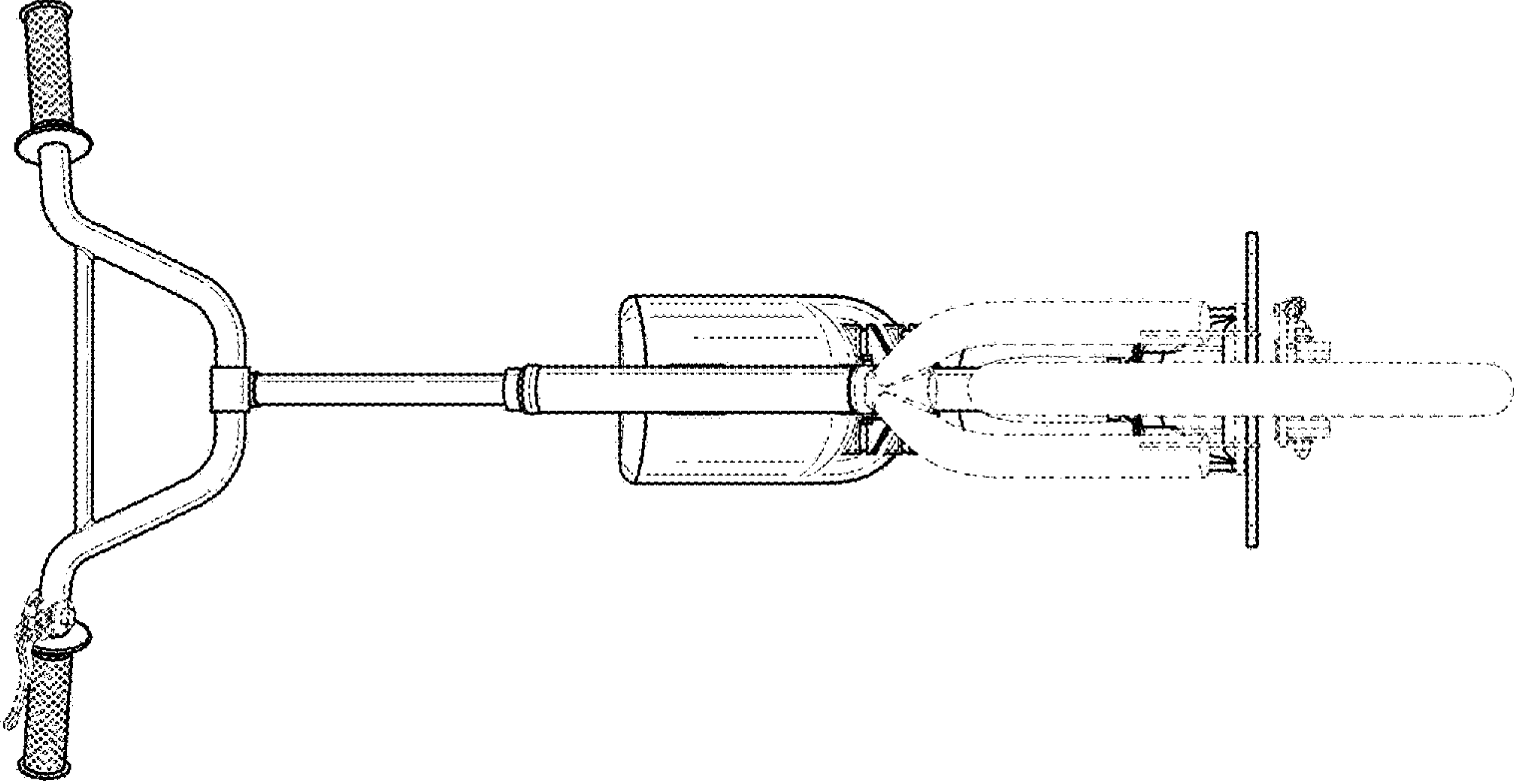


FIG. 2

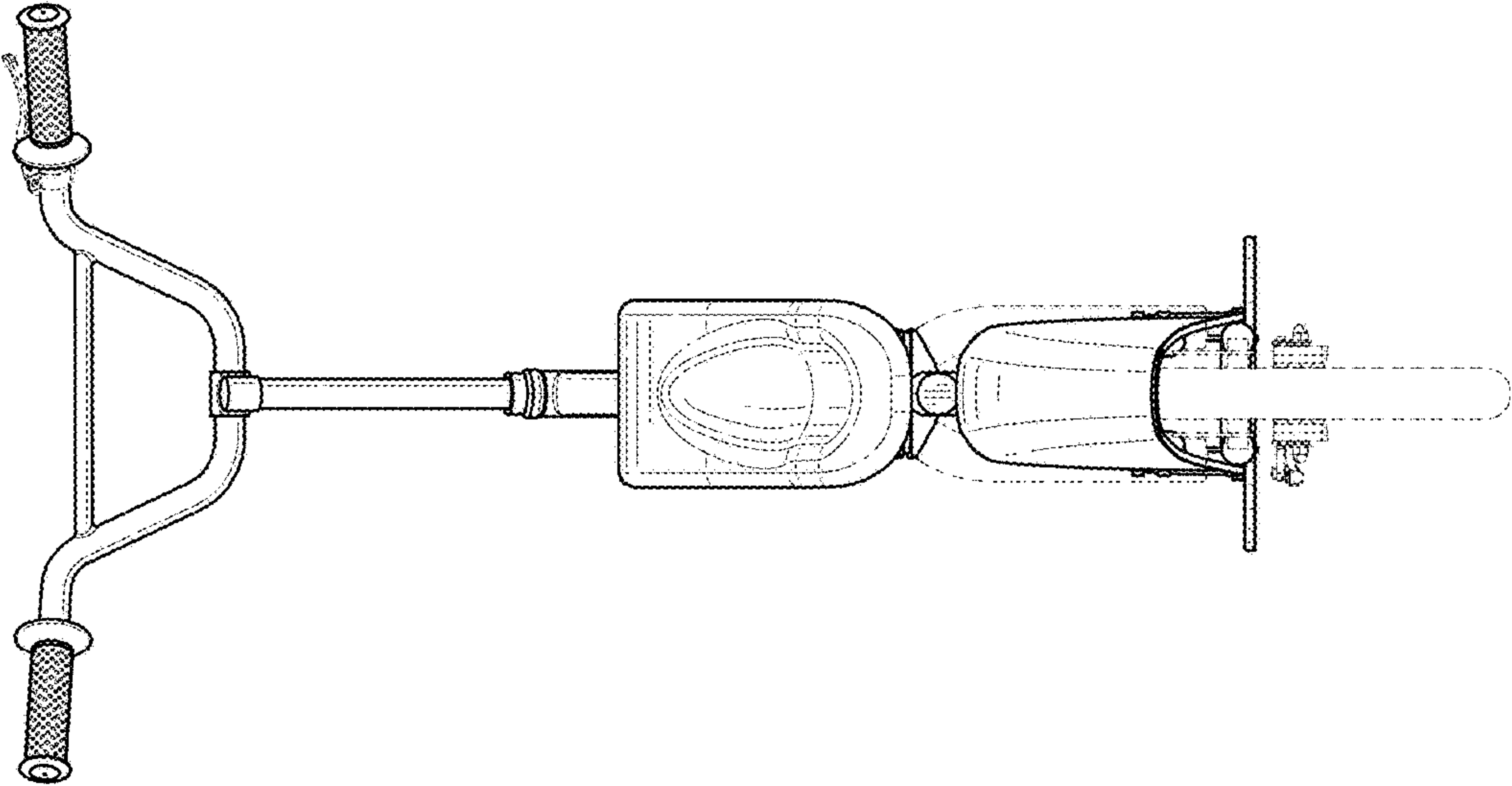


FIG. 3

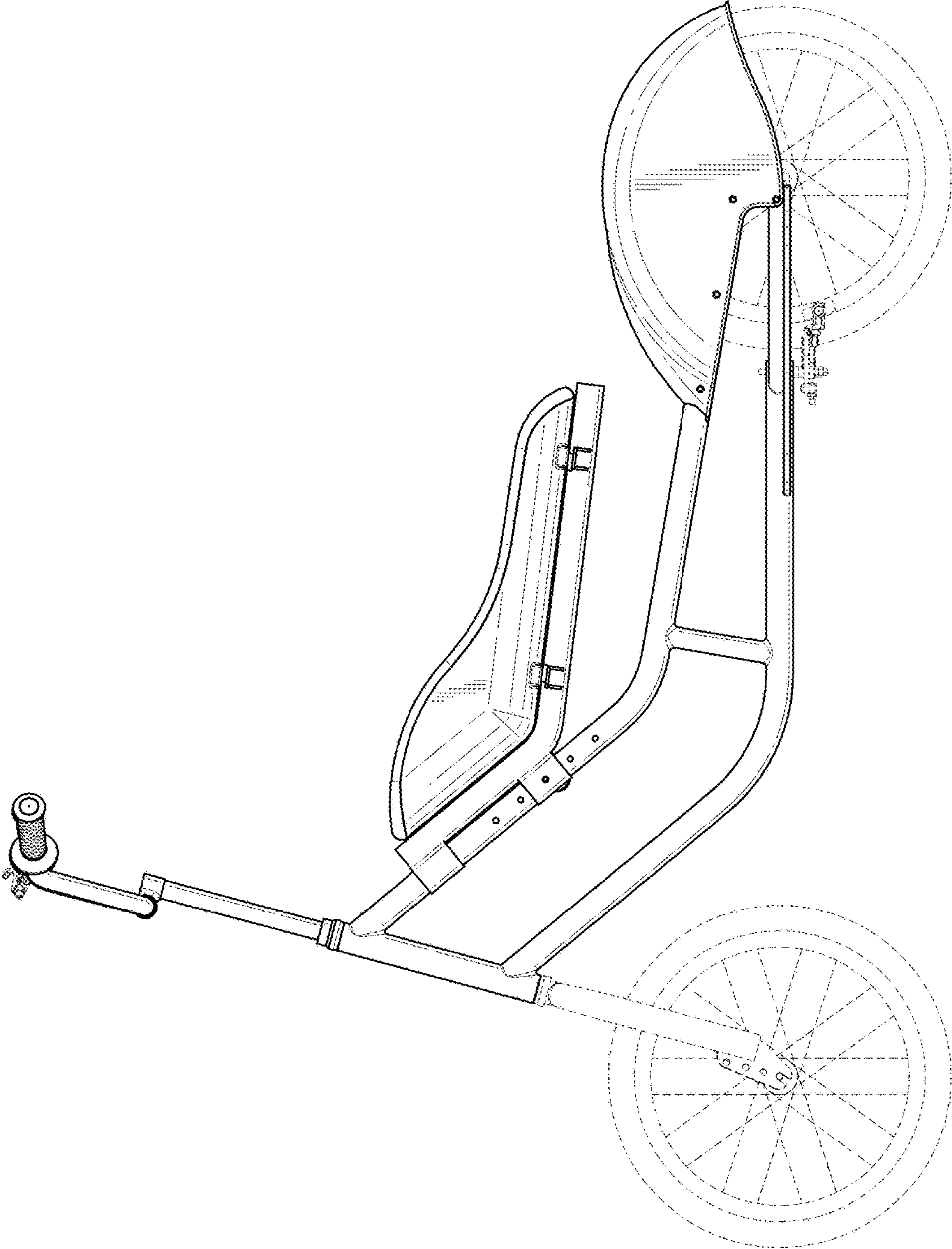


FIG. 4

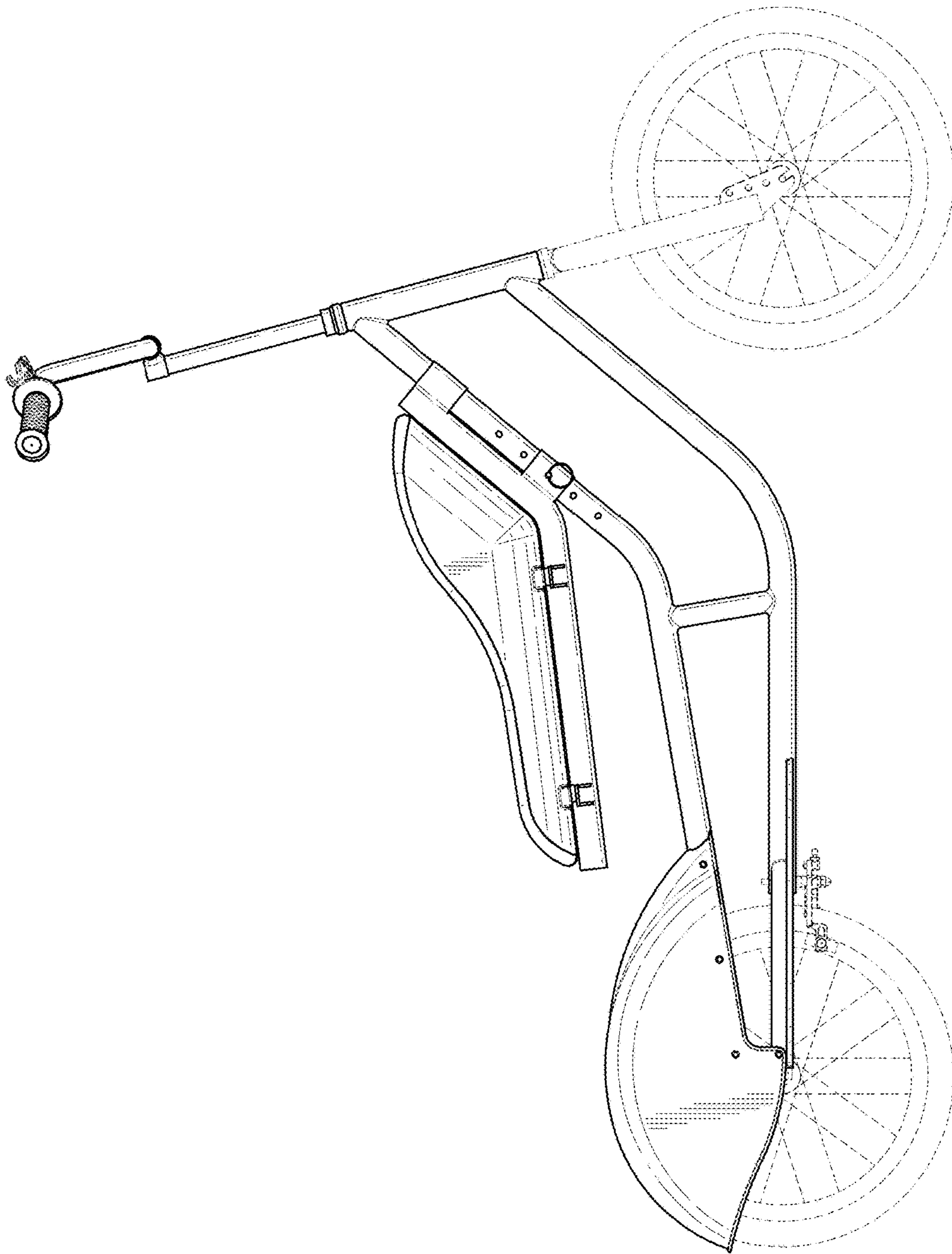


FIG. 5

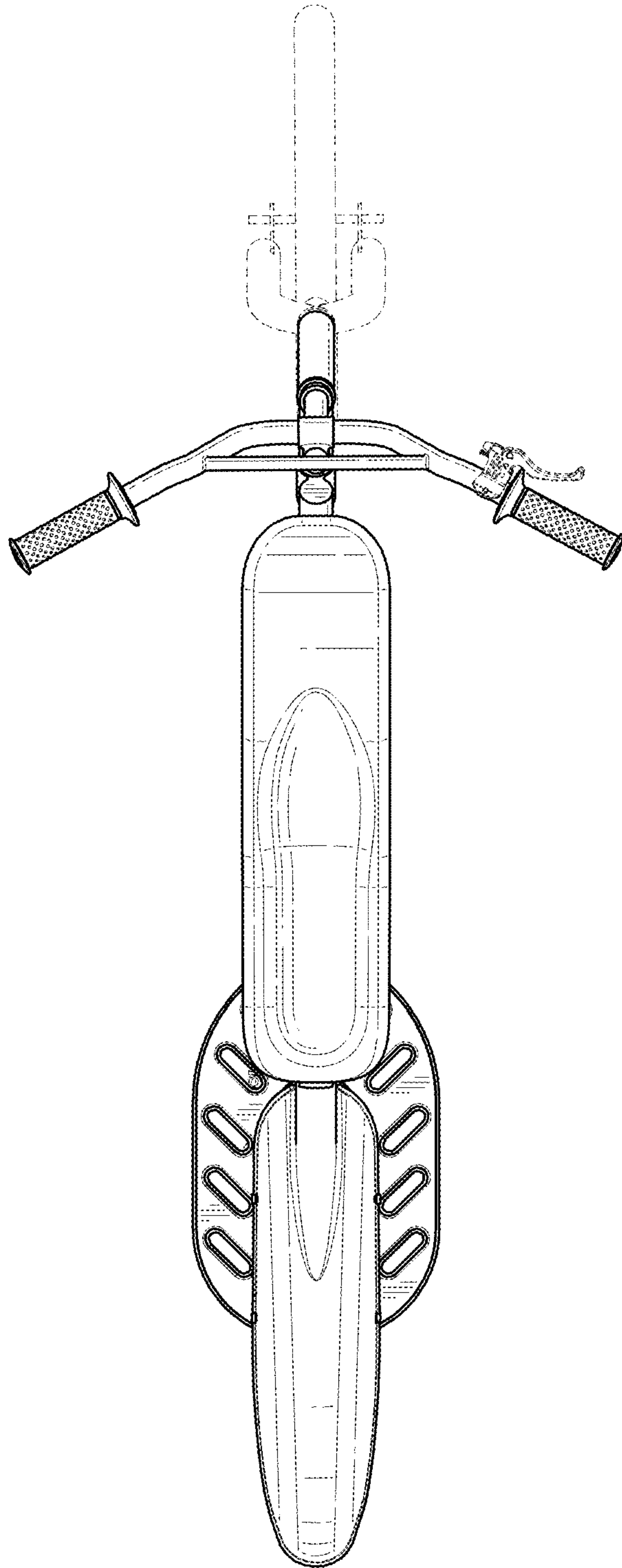


FIG. 6

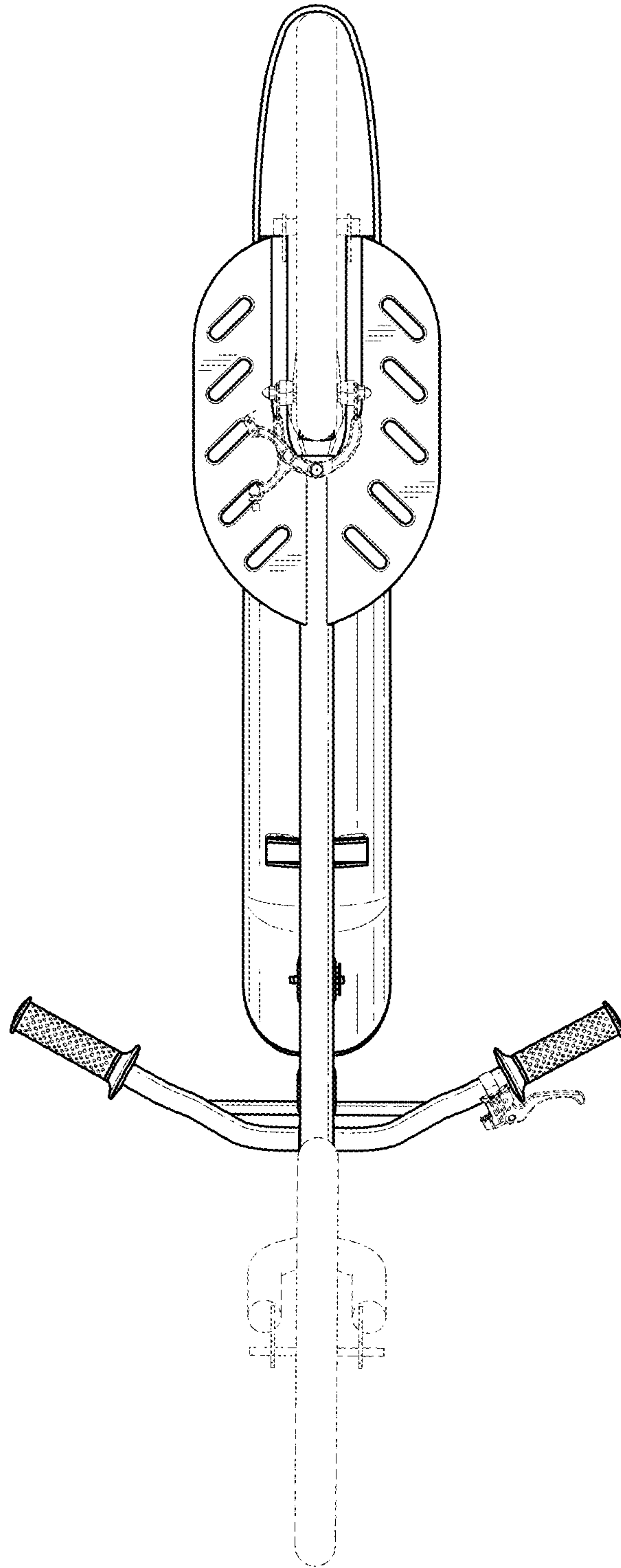


FIG. 7