



US00D805135S

(12) **United States Design Patent** (10) **Patent No.:** **US D805,135 S**
Beard (45) **Date of Patent:** **** Dec. 12, 2017**

(54) **POKER CHIP** 3,041,071 A * 6/1962 Fialon A63B 57/353
40/124.5
(71) Applicant: **Richard L. Beard**, Portland, ME (US) D317,171 S * 5/1991 Saks 84/322
D319,414 S * 8/1991 Moore D11/131
(72) Inventor: **Richard L. Beard**, Portland, ME (US) 5,571,543 A * 11/1996 Song A23G 4/00
426/5
(**) Term: **15 Years** D488,195 S * 4/2004 Manville D21/386
D500,808 S * 1/2005 Howard D20/28
D685,668 S * 7/2013 Guerrero, II D11/79
(21) Appl. No.: **29/611,754** D713,217 S * 9/2014 Micara-Sartori D7/675
D733,574 S * 7/2015 Walker-Spry D9/457
(22) Filed: **Jul. 25, 2017** D796,582 S * 9/2017 Beard D21/386

Related U.S. Application Data

(63) Continuation of application No. 29/574,486, filed on Aug. 16, 2016, now Pat. No. Des. 796,582.
(51) **LOC (10) Cl.** **21-01**
(52) **U.S. Cl.**
USPC **D21/386**
(58) **Field of Classification Search**
USPC D21/300, 334, 335, 363, 365, 385, 386,
D21/392, 396, 397
CPC A63F 2001/001; A63F 2001/003; A63F
2001/005; A63F 2001/006; A63F 1/062;
A63F 1/067; A63F 1/08; A63F 1/10;
A63F 1/12; A63F 1/14; A63F 7/0017;
A63F 7/0023; A63F 9/20
See application file for complete search history.

References Cited

(56) U.S. PATENT DOCUMENTS
1,935,308 A * 11/1933 Baltzley A63F 1/06
273/148 R
2,331,636 A * 10/1943 Stone A01K 11/00
40/27.5

* cited by examiner

Primary Examiner — George D. Kirschbaum
Assistant Examiner — Joseph J Kukella
(74) *Attorney, Agent, or Firm* — Jeffrey Joyce

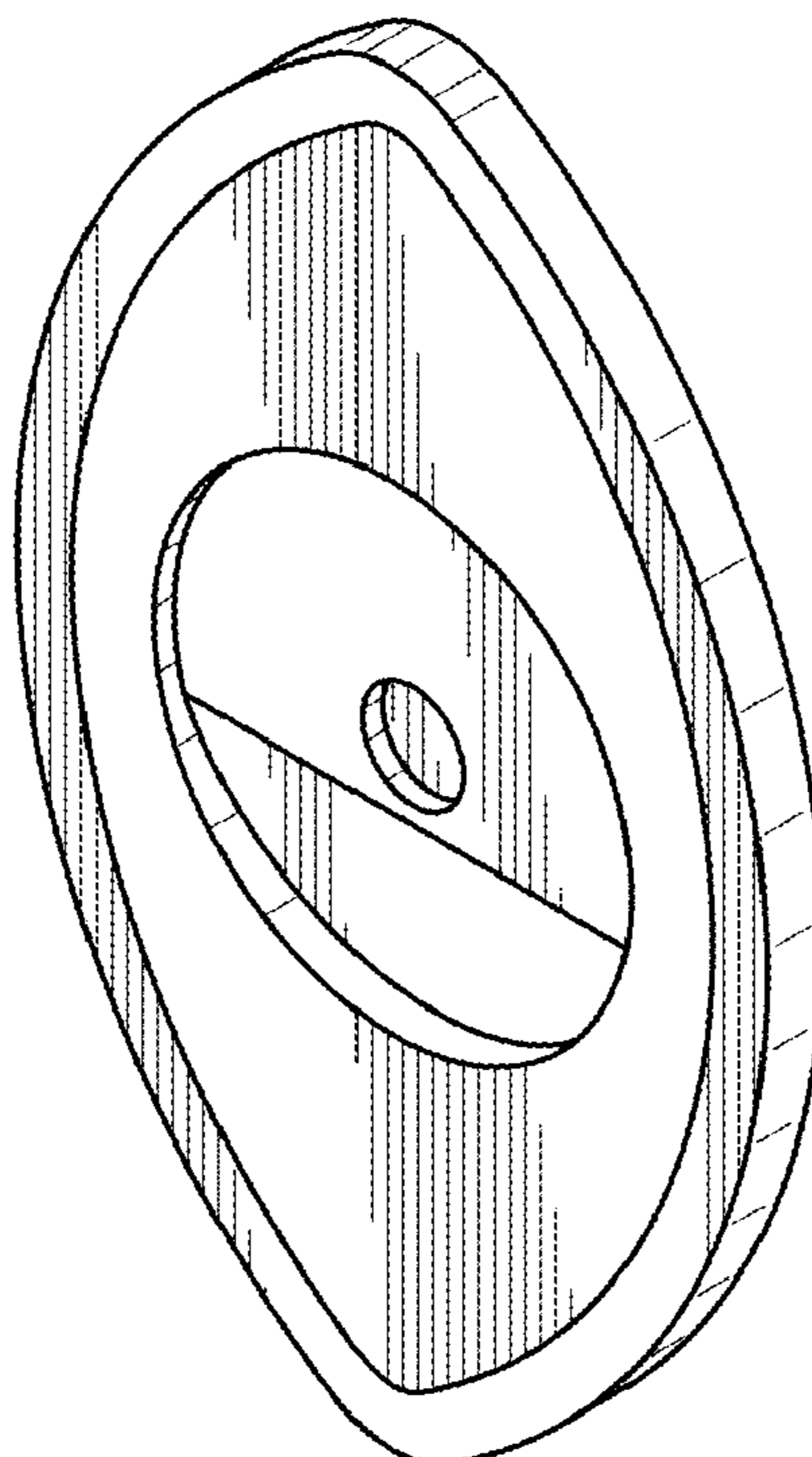
(57) **CLAIM**

The ornamental design for a poker chip, as shown and described.

DESCRIPTION

FIG. 1 is a front perspective view of the poker chip according to the invention.
FIG. 2 is a front plan view of the poker chip.
FIG. 3 is a rear plan view of the poker chip.
FIG. 4 is a right side plan view of the poker chip, the left side view being a mirror image thereof; and,
FIG. 5 is a top plan view of the poker chip, the bottom view being a mirror image thereof.

1 Claim, 1 Drawing Sheet



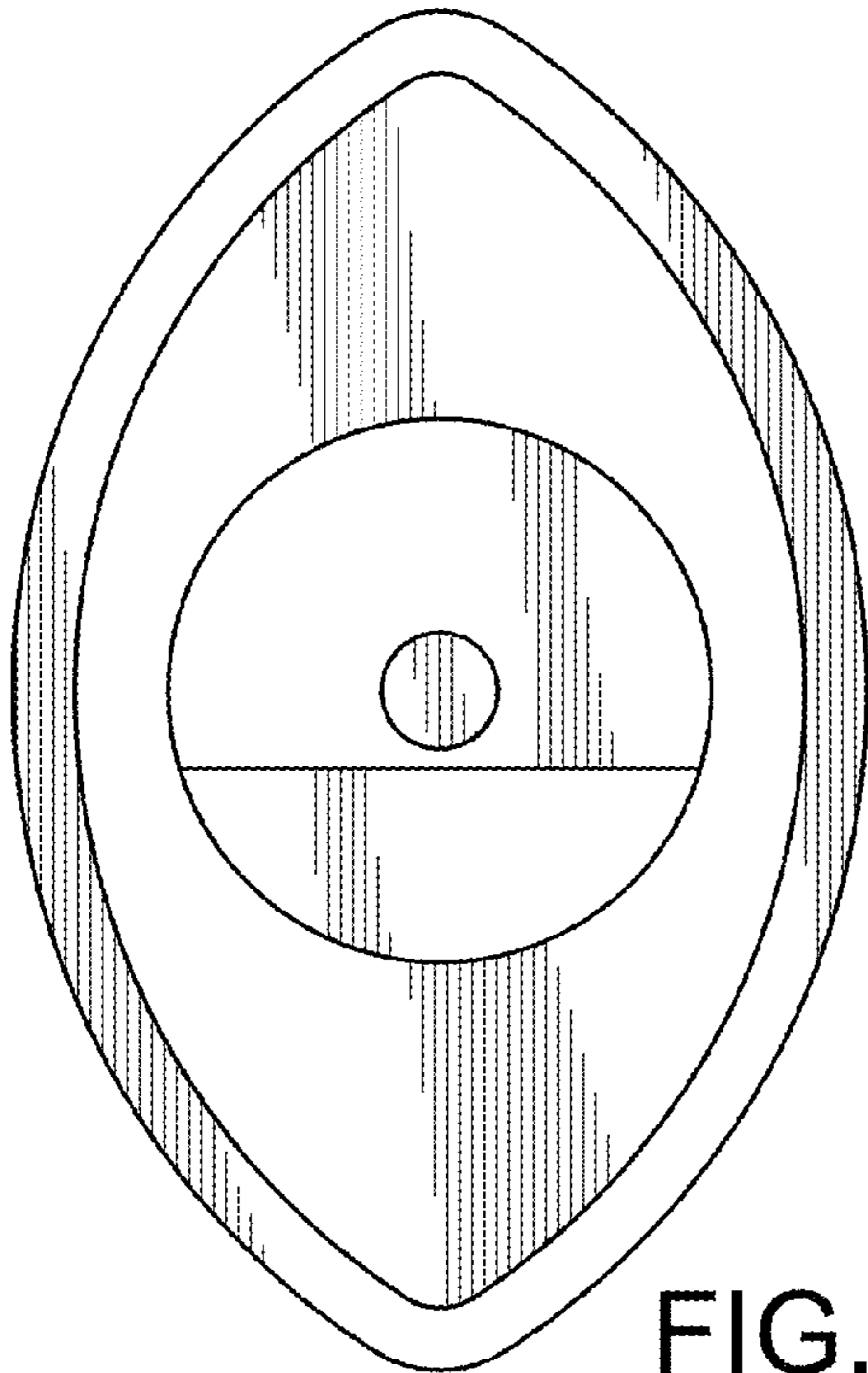


FIG. 2

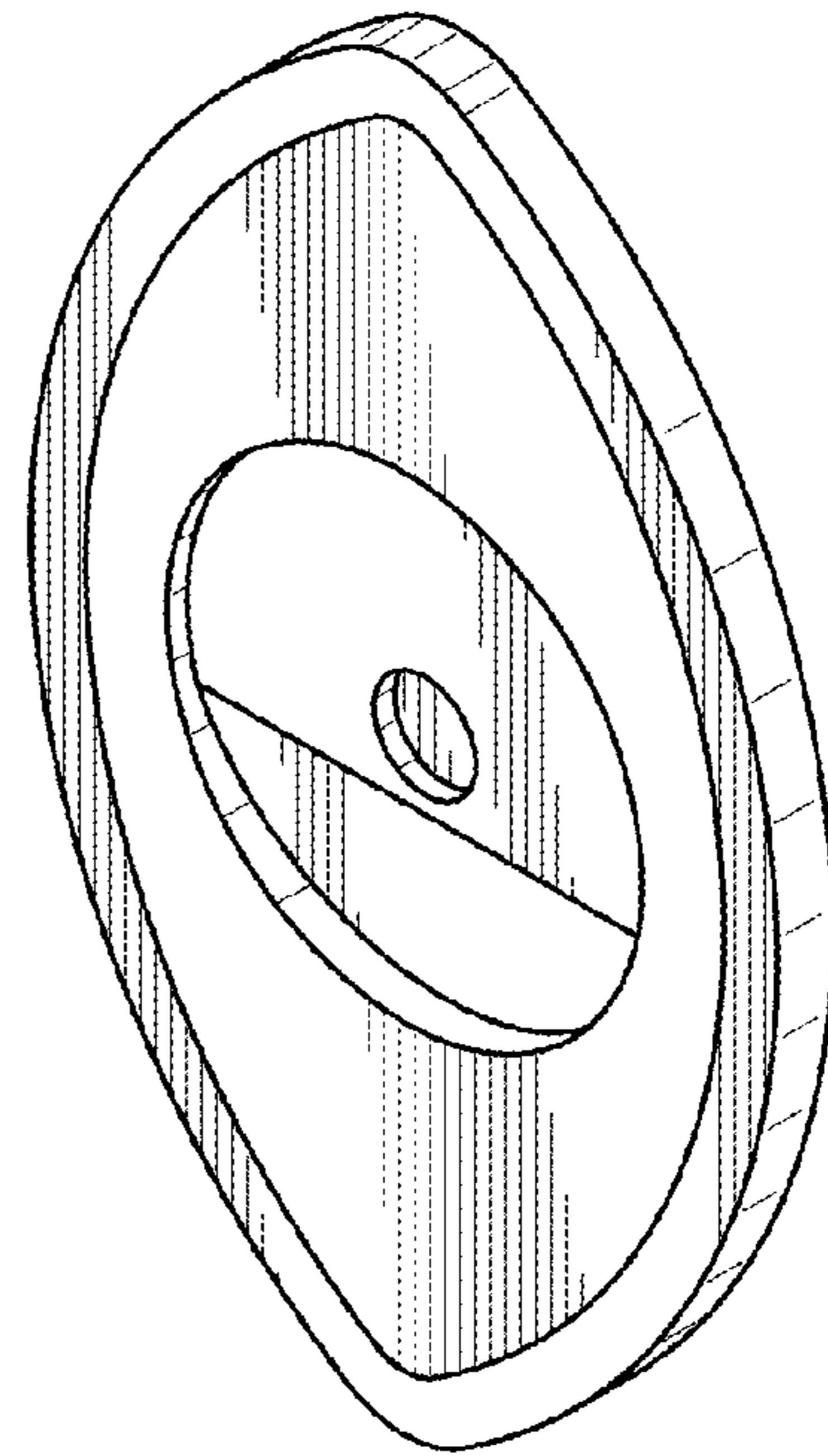


FIG. 1

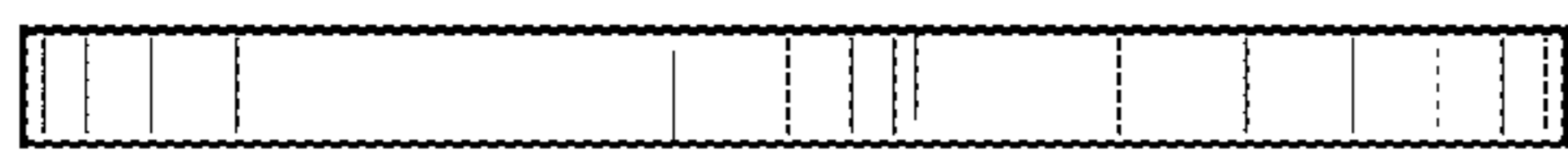


FIG. 5

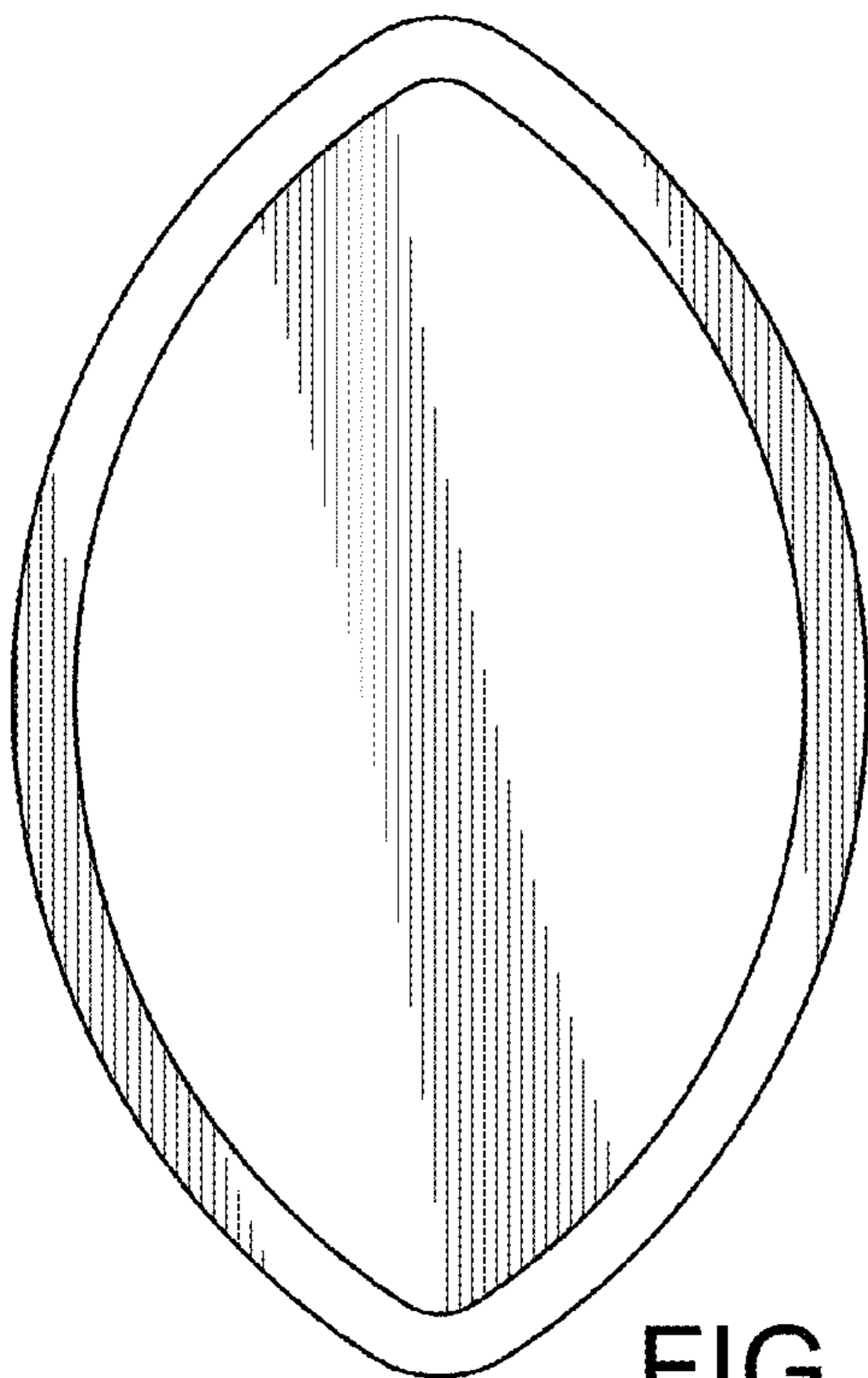


FIG. 3



FIG. 4