



US00D805126S

(12) **United States Design Patent** (10) **Patent No.:** **US D805,126 S**
Inagaki et al. (45) **Date of Patent:** **** Dec. 12, 2017**

(54) **KEYBOARD INSTRUMENT**
(71) Applicant: **Roland Corporation**, Shizuoka (JP)
(72) Inventors: **Yoji Inagaki**, Shizuoka (JP); **Fumihiko Miura**, Shizuoka (JP); **Hidemasa Togai**, Shizuoka (JP); **Akihiro Nagata**, Shizuoka (JP)
(73) Assignee: **Roland Corporation**, Shizuoka (JP)

D546,374 S * 7/2007 Saito D17/1
D555,710 S * 11/2007 Suzuki D17/1
D668,287 S * 10/2012 Kitazawa D17/1
D696,714 S * 12/2013 Kashiwase D17/1
D719,211 S * 12/2014 Sawada D17/1
D725,656 S * 3/2015 Lee D14/392
D778,342 S * 2/2017 Washio D17/1
D778,345 S * 2/2017 Katsumata D17/1
D778,347 S * 2/2017 Gonzalez D17/7
D792,921 S * 7/2017 Takei D17/1
2012/0103165 A1* 5/2012 Hoshino G10C 3/12
84/433
2014/0000443 A1* 1/2014 Iwase G10H 1/18
84/615

(**) Term: **15 Years**

(21) Appl. No.: **29/589,071**

* cited by examiner

(22) Filed: **Dec. 28, 2016**

Primary Examiner — Sheryl Lane

(51) **LOC (10) Cl.** **17-01**

Assistant Examiner — Samantha N Wood

(52) **U.S. Cl.**
USPC **D17/1**

(74) *Attorney, Agent, or Firm* — JCIPRNET

(58) **Field of Classification Search**
USPC D17/1-5, 7, 8, 9, 20, 24, 99; D21/405, D21/407, 586; D19/150; D14/175, 188, D14/196-198, 217, 257, 258
CPC ... G10C 3/12; G10C 3/00; G10C 1/00; G10C 1/02; G10C 1/04; G10H 2220/221; G10H 1/18; G10H 1/34
See application file for complete search history.

(57) **CLAIM**

The ornamental design for a keyboard instrument, as shown.

DESCRIPTION

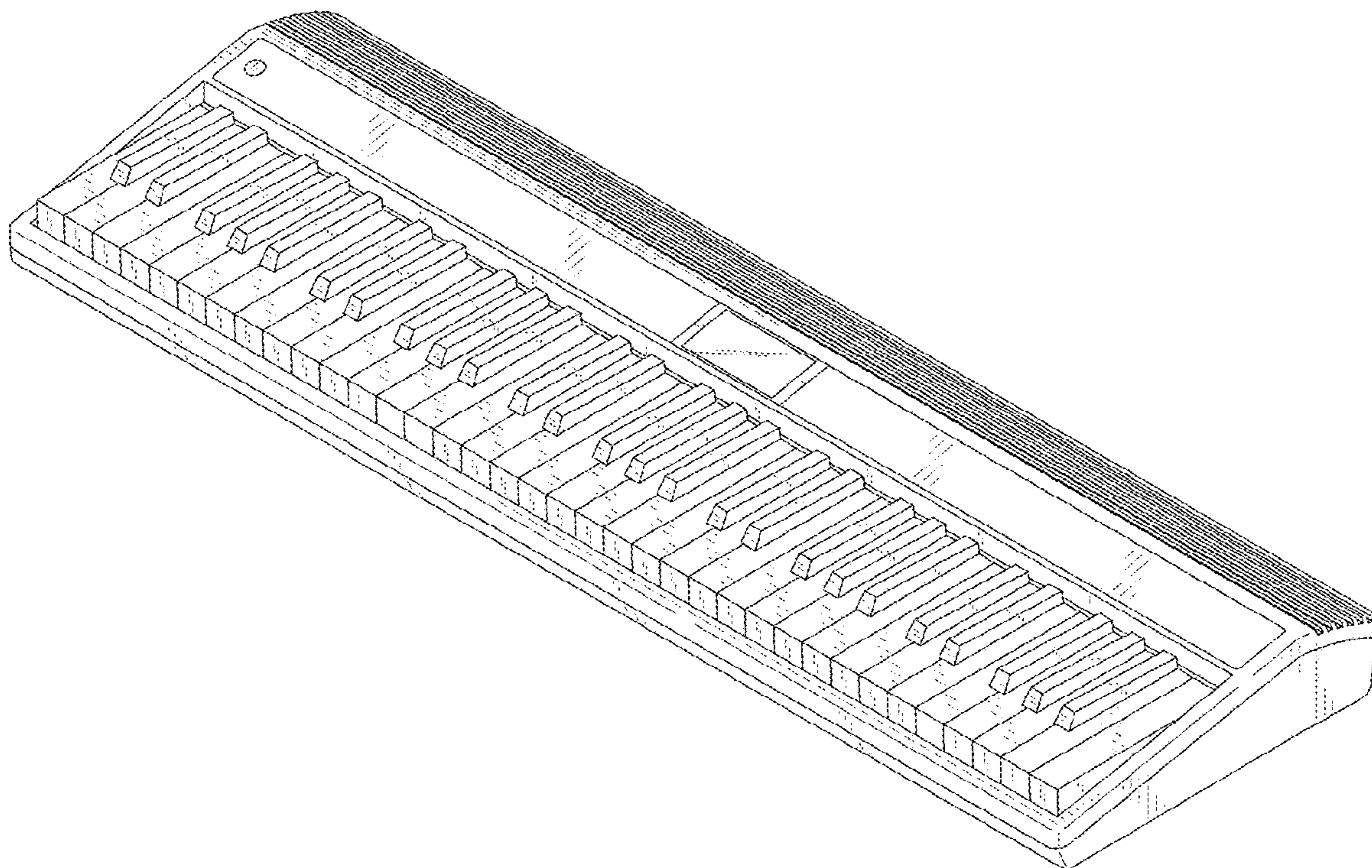
FIG. 1 is a perspective view of a keyboard instrument showing our new design;
FIG. 2 is a front view thereof;
FIG. 3 is a rear view thereof;
FIG. 4 is a left side view thereof;
FIG. 5 is a right side view thereof;
FIG. 6 is a top view thereof; and,
FIG. 7 is a bottom view thereof.

(56) **References Cited**

U.S. PATENT DOCUMENTS

D320,614 S * 10/1991 Ono D17/1
D508,070 S * 8/2005 Tanaka D17/1

1 Claim, 5 Drawing Sheets



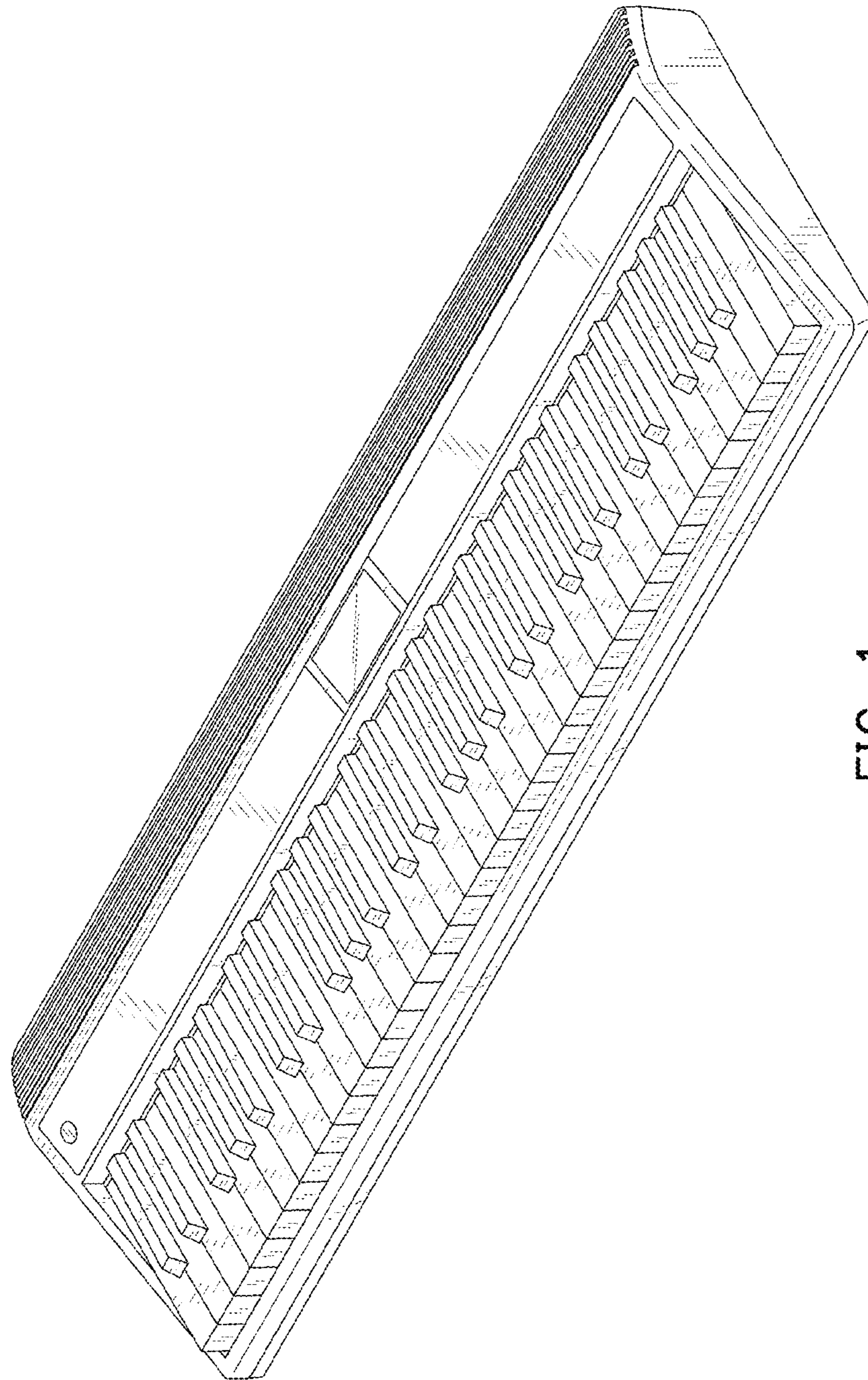


FIG. 1

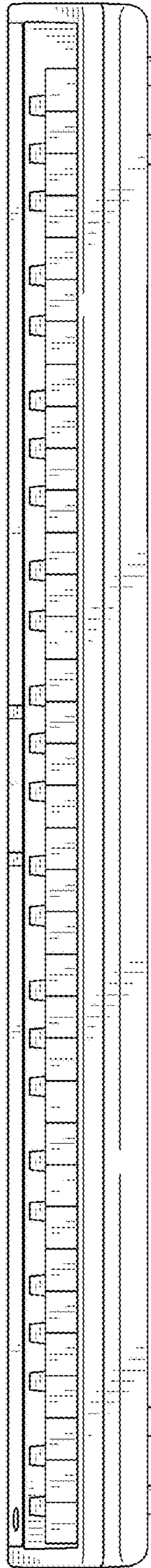


FIG. 2

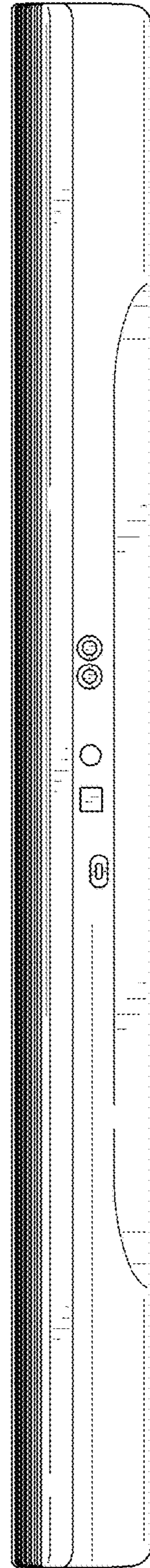


FIG. 3

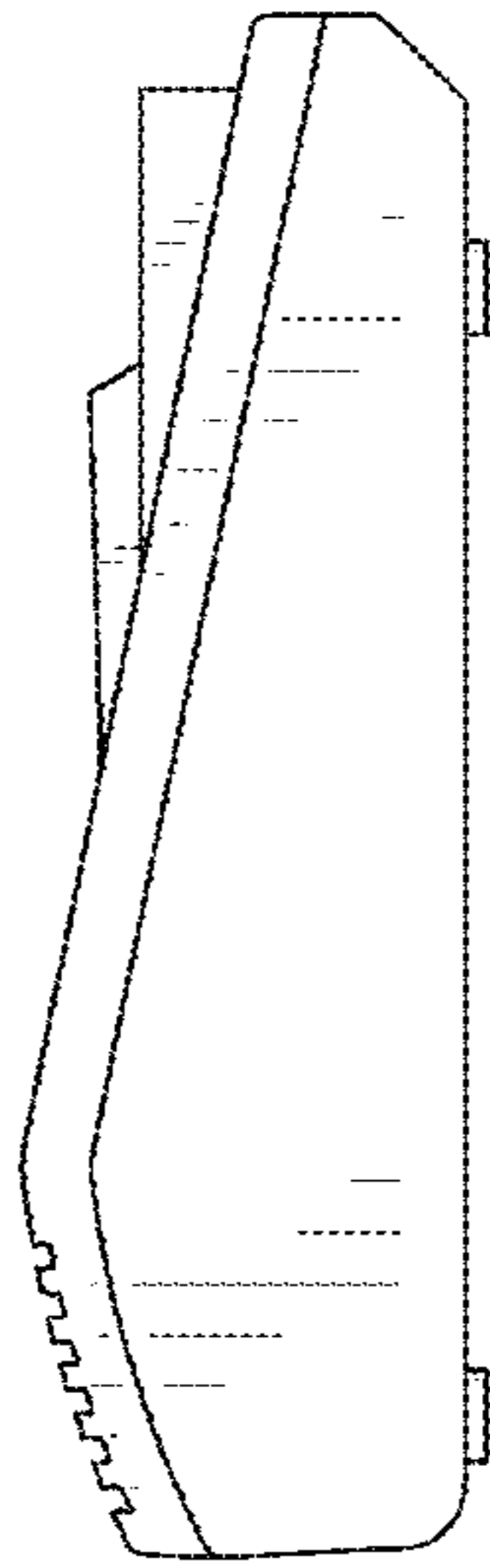


FIG. 4

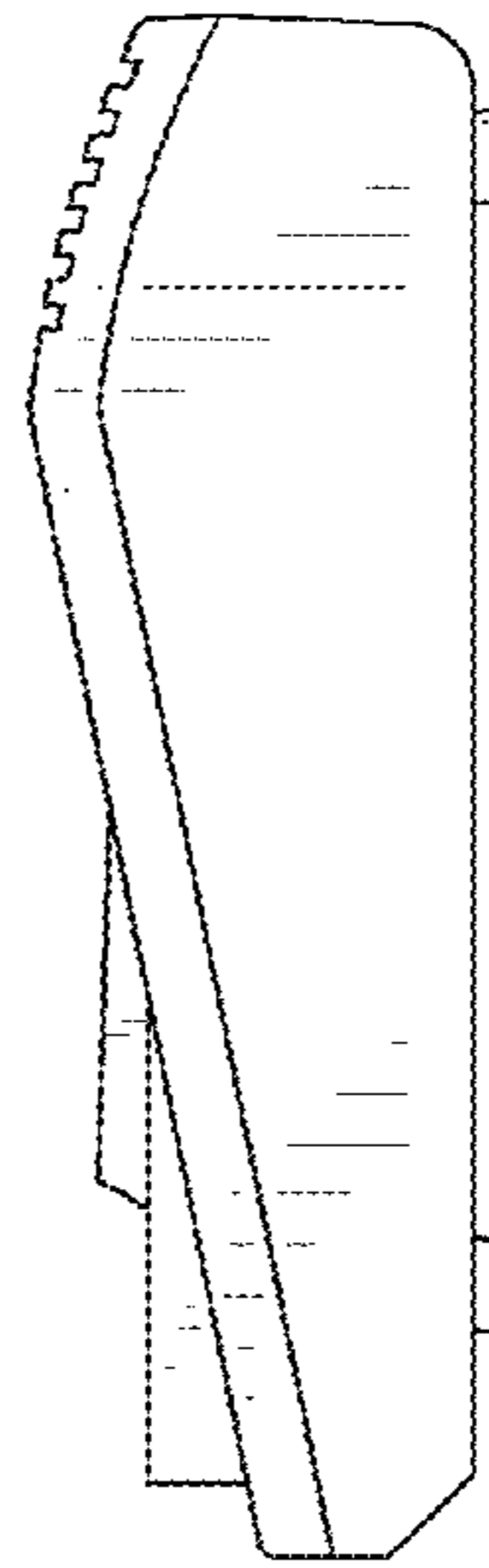


FIG. 5

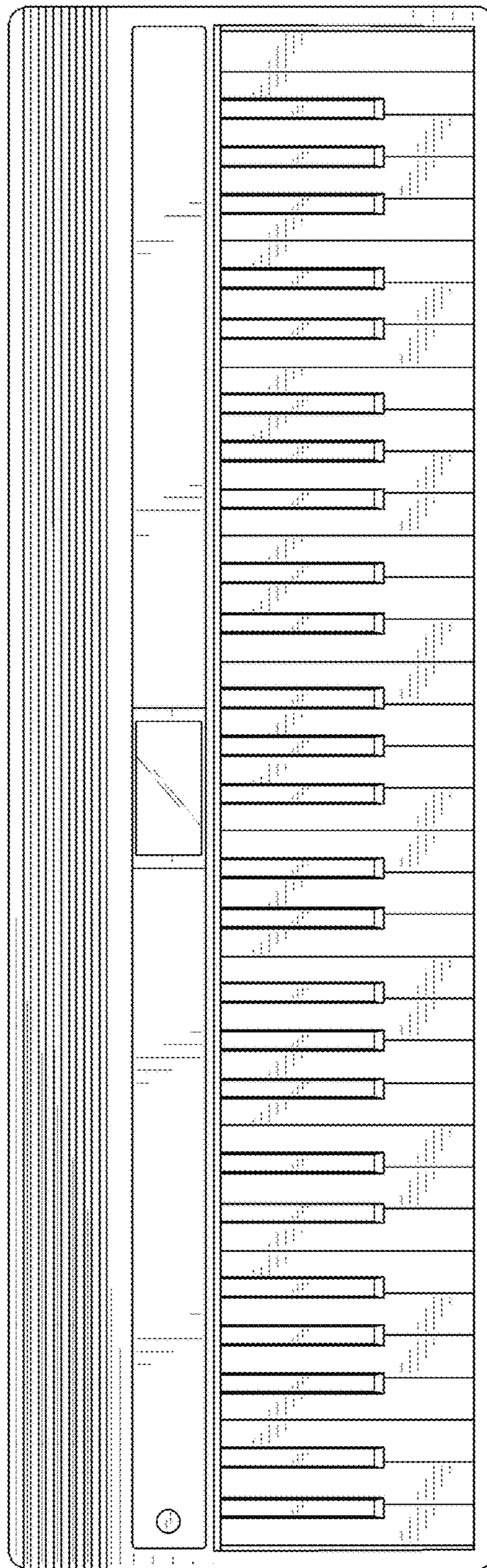


FIG. 6

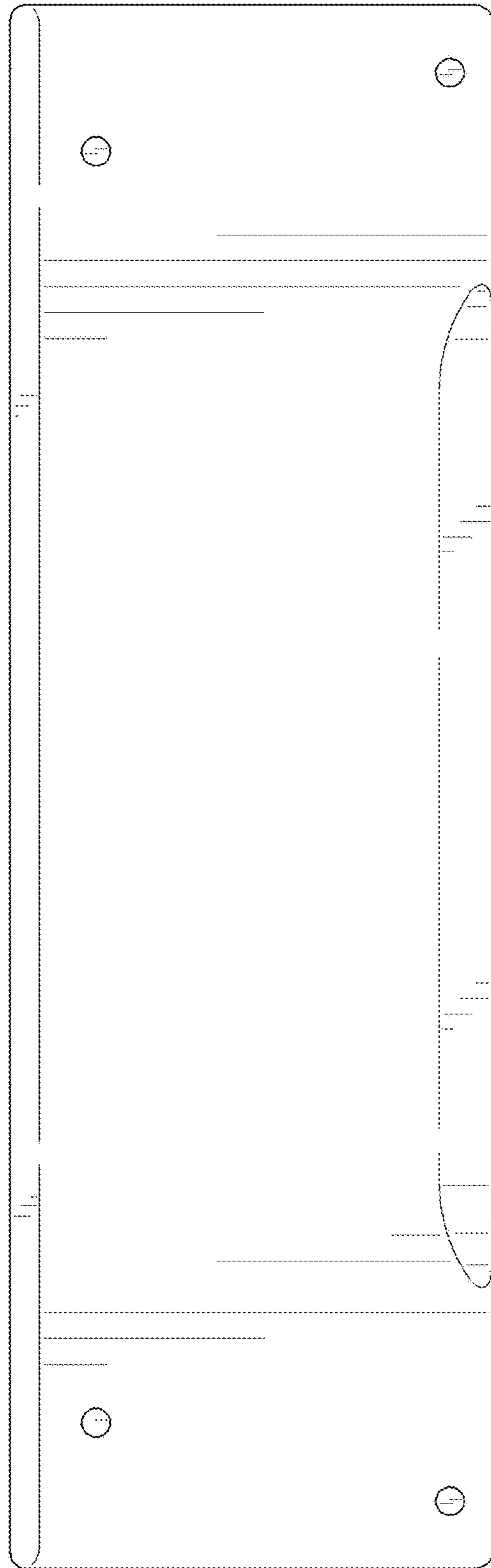


FIG. 7