



US00D805121S

(12) **United States Design Patent** (10) **Patent No.:** **US D805,121 S**
Park et al. (45) **Date of Patent:** **** Dec. 12, 2017**

(54) **EYEWEAR**
(71) Applicant: **Modne, Inc.**, Cerritos, CA (US)
(72) Inventors: **Saehee Park**, Arcadia, CA (US); **Judy Chung**, Arcadia, CA (US); **Kidong Kwon**, Glendale, CA (US); **TaeHun Kim**, Irvine, CA (US)
(73) Assignee: **Modne, Inc.**, Cerritos, CA (US)
(**) Term: **15 Years**

D154,672 S * 8/1949 Fornicoia D16/335
2,516,549 A * 7/1950 Chappell G02C 1/04
351/103
D163,374 S * 5/1951 Ditto D16/316
D168,903 S * 2/1953 Neary D16/316
D170,386 S * 9/1953 Rohrbach D16/322
D170,435 S * 9/1953 Weissman D16/329
D171,745 S * 3/1954 Belgard D16/319
D174,153 S * 3/1955 Belgard D16/322
D175,135 S * 7/1955 Stegeman D16/322
D184,341 S * 2/1959 Coval D16/323
D184,705 S * 3/1959 Bloch D16/316
D186,958 S * 12/1959 Neary D16/322

(Continued)

(21) Appl. No.: **29/563,277**
(22) Filed: **May 3, 2016**
(30) **Foreign Application Priority Data**
Nov. 26, 2015 (KR) 30-2015-0059815
(51) **LOC (10) Cl.** **16-06**
(52) **U.S. Cl.**
USPC **D16/315**; D16/326
(58) **Field of Classification Search**
USPC D16/101, 300-342, 900; D29/109, 110;
D14/372; D21/483, 659-661; 351/41,
351/44, 45, 46, 48, 51-52, 59, 62-65, 83,
351/85, 92, 103-123, 140, 153, 158
CPC ... G02C 5/02; G02C 5/06; G02C 5/10; G02C
5/006; G02C 5/14; G02C 5/20; G02C
5/122; G02C 5/126; G02C 5/08; G02C
1/00; G02C 1/02; G02C 1/04; G02C
1/06; G02C 1/08
See application file for complete search history.

(56) **References Cited**
U.S. PATENT DOCUMENTS
1,472,014 A * 10/1923 Clulee G02C 5/00
29/20
1,952,890 A * 3/1934 Poeton G02C 5/16
29/20

OTHER PUBLICATIONS

Glasses. (Design—© Questel). orbit.com. [online PDF] 36 pgs. Print Dates range from Jan. 30, 2013 to Apr. 5, 2017[retrieved on Apr. 25, 2017] <https://sobjprd.questel.fr/export/QPTUJ214/pdf2/63b12f9d-4456-437c-9979-4a416d6b6186-221339.pdf>*

Primary Examiner — Susan Bennett Hattan
Assistant Examiner — Marie D. Fast Horse
(74) *Attorney, Agent, or Firm* — Stradling Yocca Carlson & Rauth

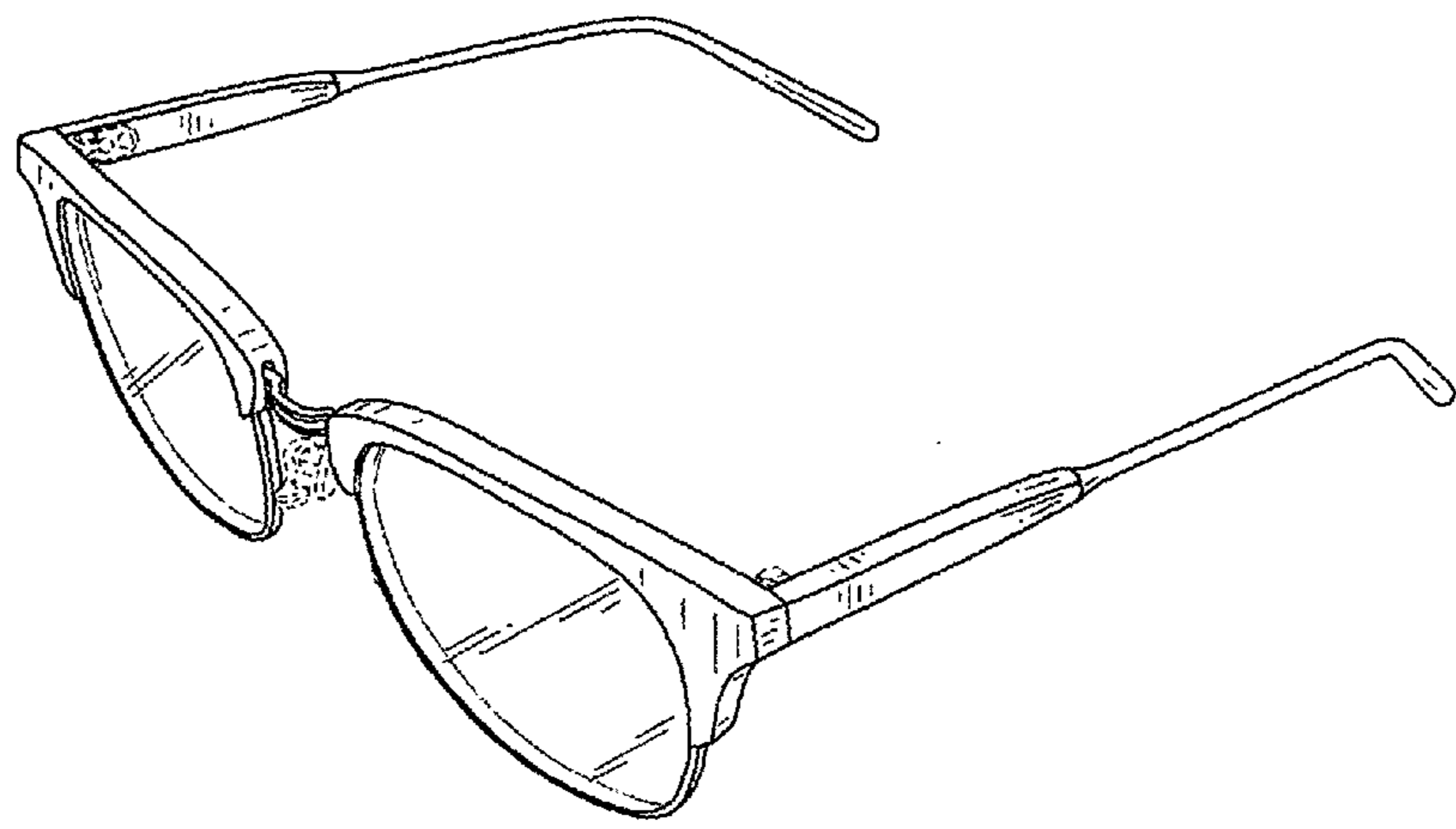
(57) **CLAIM**

The ornamental design for the eyewear, as shown and described.

DESCRIPTION

FIG. 1 is an isometric view of the front of eyewear;
FIG. 2 is a front view of the eyewear;
FIG. 3 is a back view of the eyewear;
FIG. 4 is a right side view of the eyewear;
FIG. 5 is a left side view of the eyewear;
FIG. 6 is a top view of the eyewear; and,
FIG. 7 is a bottom view of the eyewear.
The broken lines in the drawings represent portions of the eyewear that form no part of the claimed design.

1 Claim, 5 Drawing Sheets



(56)

References Cited

U.S. PATENT DOCUMENTS

3,033,359 A * 5/1962 Mercer G02C 7/10
2/13
D196,882 S * 11/1963 Radziwon D16/322
D200,355 S * 2/1965 De Angelis D16/322
D204,636 S * 5/1966 Radziwon D16/322
D208,437 S * 8/1967 Kono D16/326
3,402,005 A * 9/1968 Liautaud G02C 5/00
351/111
3,476,468 A * 11/1969 Fortenberry G02C 5/126
351/130
3,544,204 A * 12/1970 Bienenfeld G02C 5/20
2/448
3,545,848 A * 12/1970 Sebastian G02C 5/20
16/429
3,649,107 A * 3/1972 Hoffmaster G02C 5/20
16/429
3,666,355 A * 5/1972 Griffith G02C 5/20
351/111
3,701,591 A * 10/1972 Wichers G02C 3/003
351/113
3,854,801 A * 12/1974 Hoke G02C 5/20
351/113
4,272,166 A * 6/1981 Bononi G02C 5/143
351/111

4,665,598 A * 5/1987 Murai B44F 1/063
29/20
5,270,743 A * 12/1993 Hofmair G02C 1/08
351/106
D368,924 S * 4/1996 Jones D16/335
D384,092 S * 9/1997 Hall D16/335
D401,960 S * 12/1998 Pearl D16/304
D412,179 S * 7/1999 Hall D16/334
D622,304 S 8/2010 Baden et al.
D655,741 S 3/2012 Yee
D702,757 S 4/2014 Thixton et al.
D724,649 S 3/2015 Shin
D737,885 S * 9/2015 Markovitz D16/326
D737,886 S * 9/2015 Markovitz D16/326
D737,888 S * 9/2015 Markovitz D16/326
D746,356 S * 12/2015 Markovitz D16/315
D749,581 S * 2/2016 Olsson D14/372
D749,582 S * 2/2016 Olsson D14/372
D780,829 S * 3/2017 Bonaventura D16/326
D782,563 S * 3/2017 Bonaventura D16/315
D785,077 S * 4/2017 Renon D16/315
2014/0063436 A1 * 3/2014 Bretl G02C 5/02
351/51
2016/0178927 A1 * 6/2016 Yang G02C 1/04
351/105

* cited by examiner

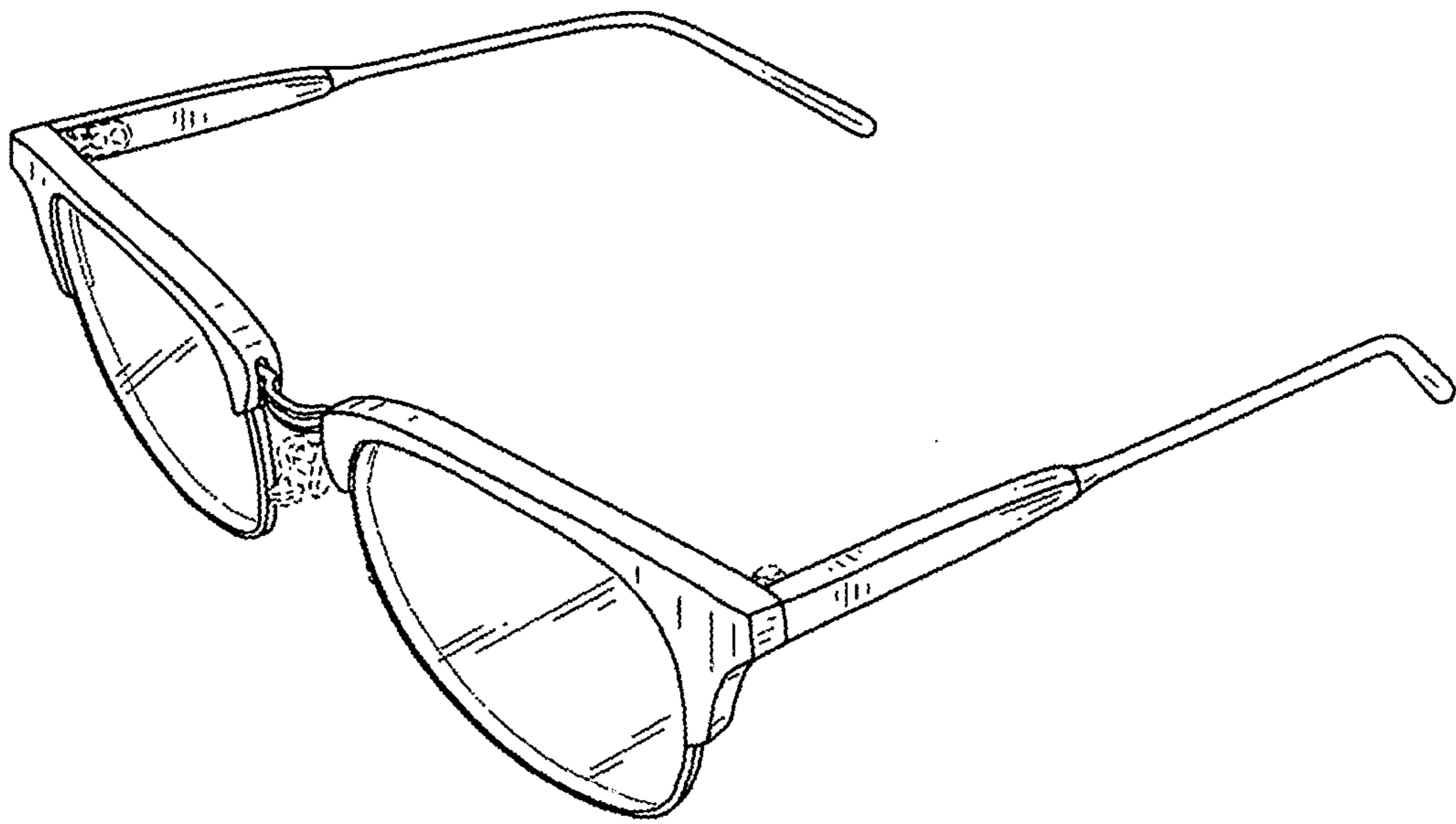


FIG. 1

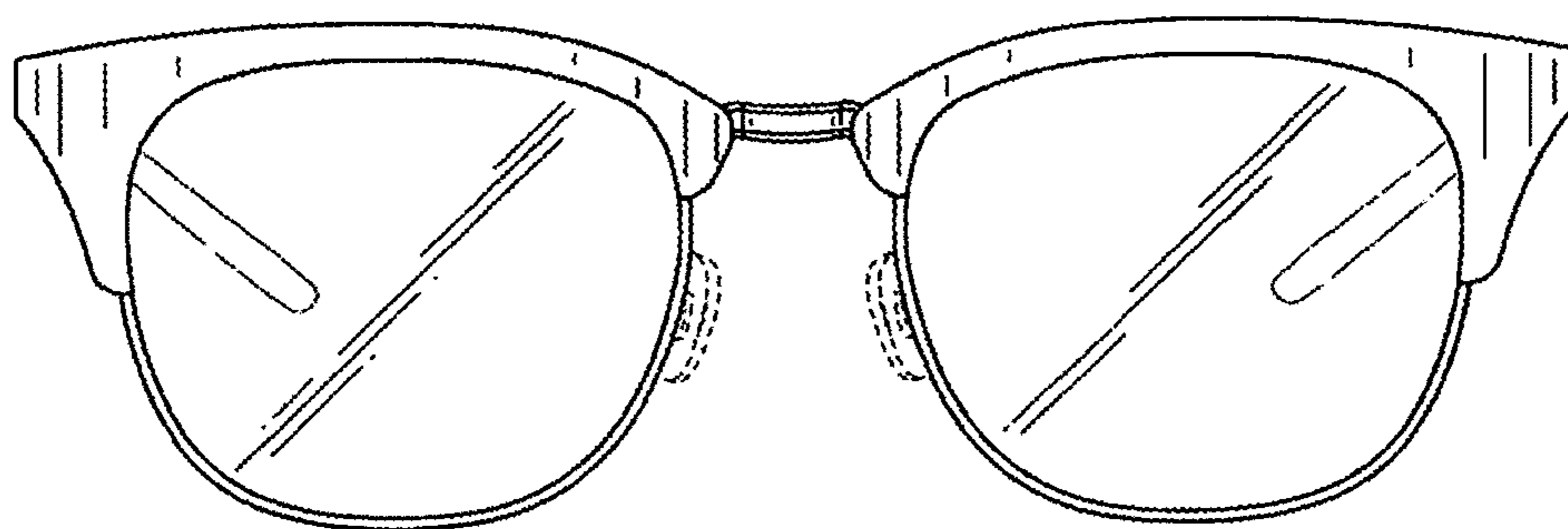


FIG. 2

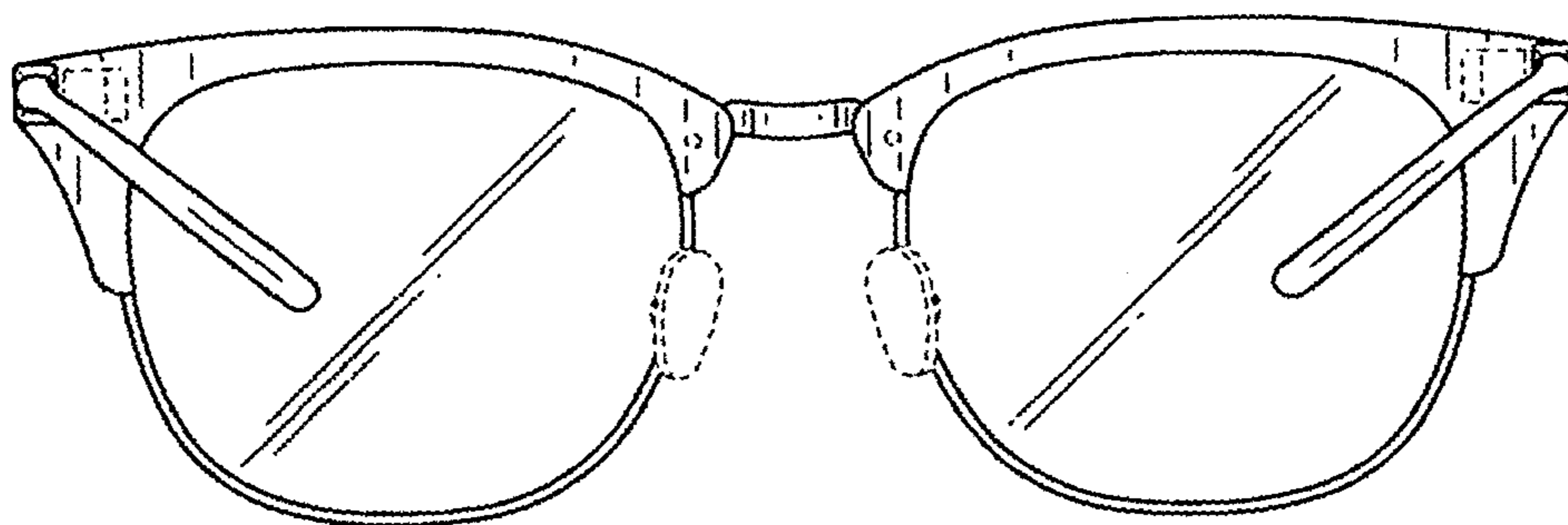


FIG. 3

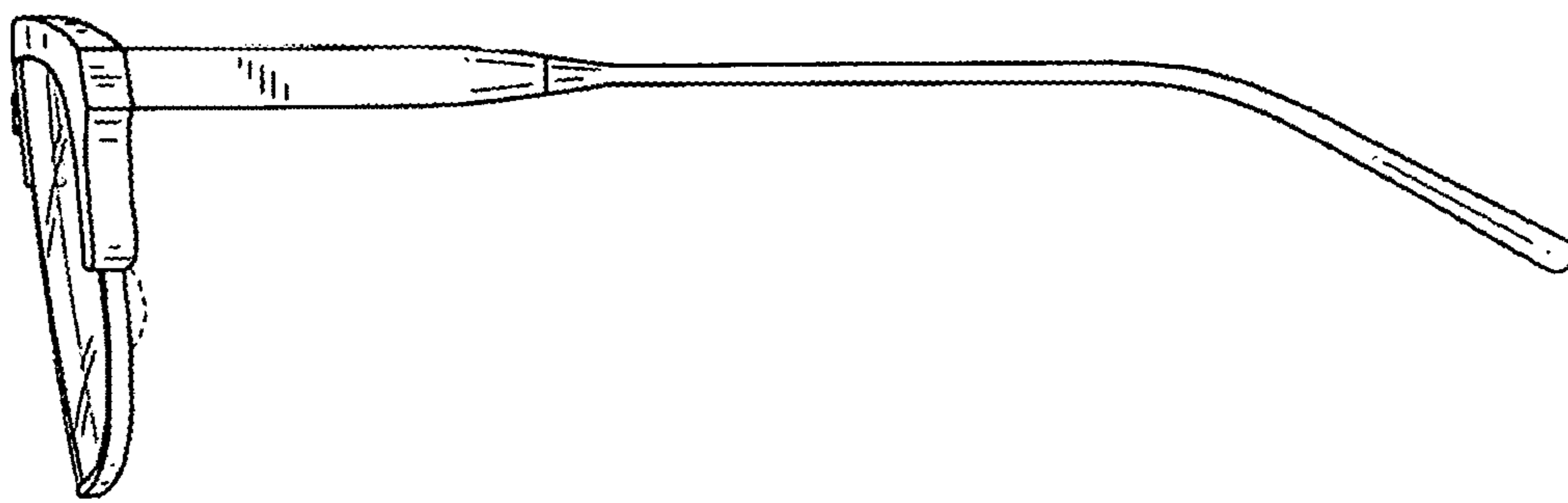


FIG. 4

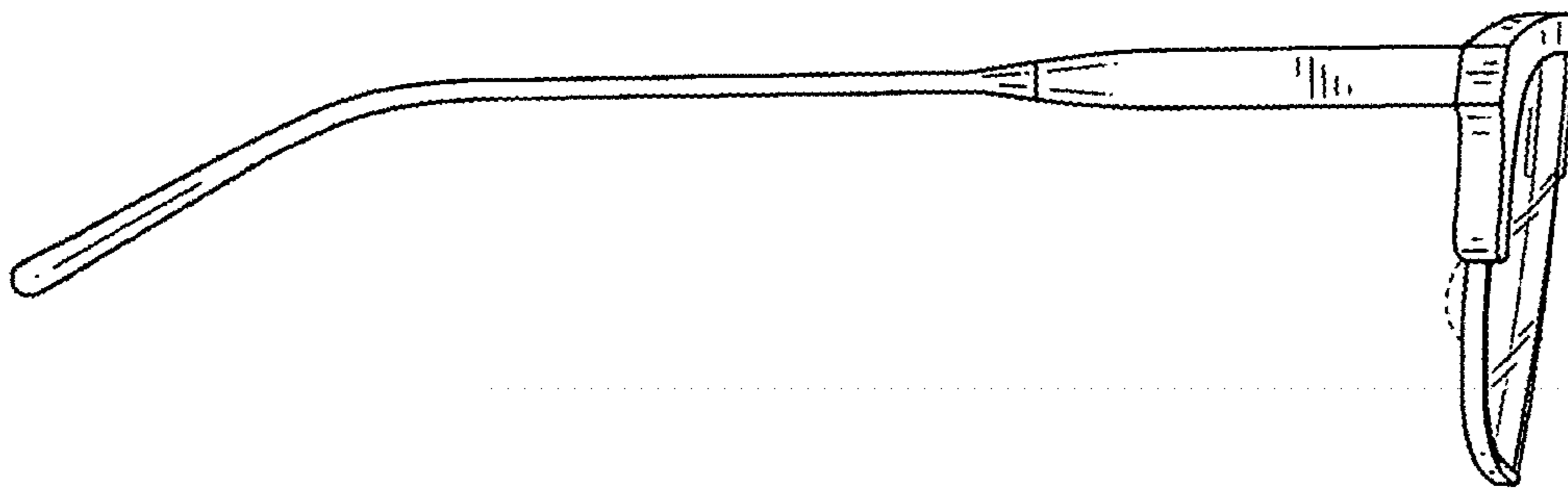


FIG. 5

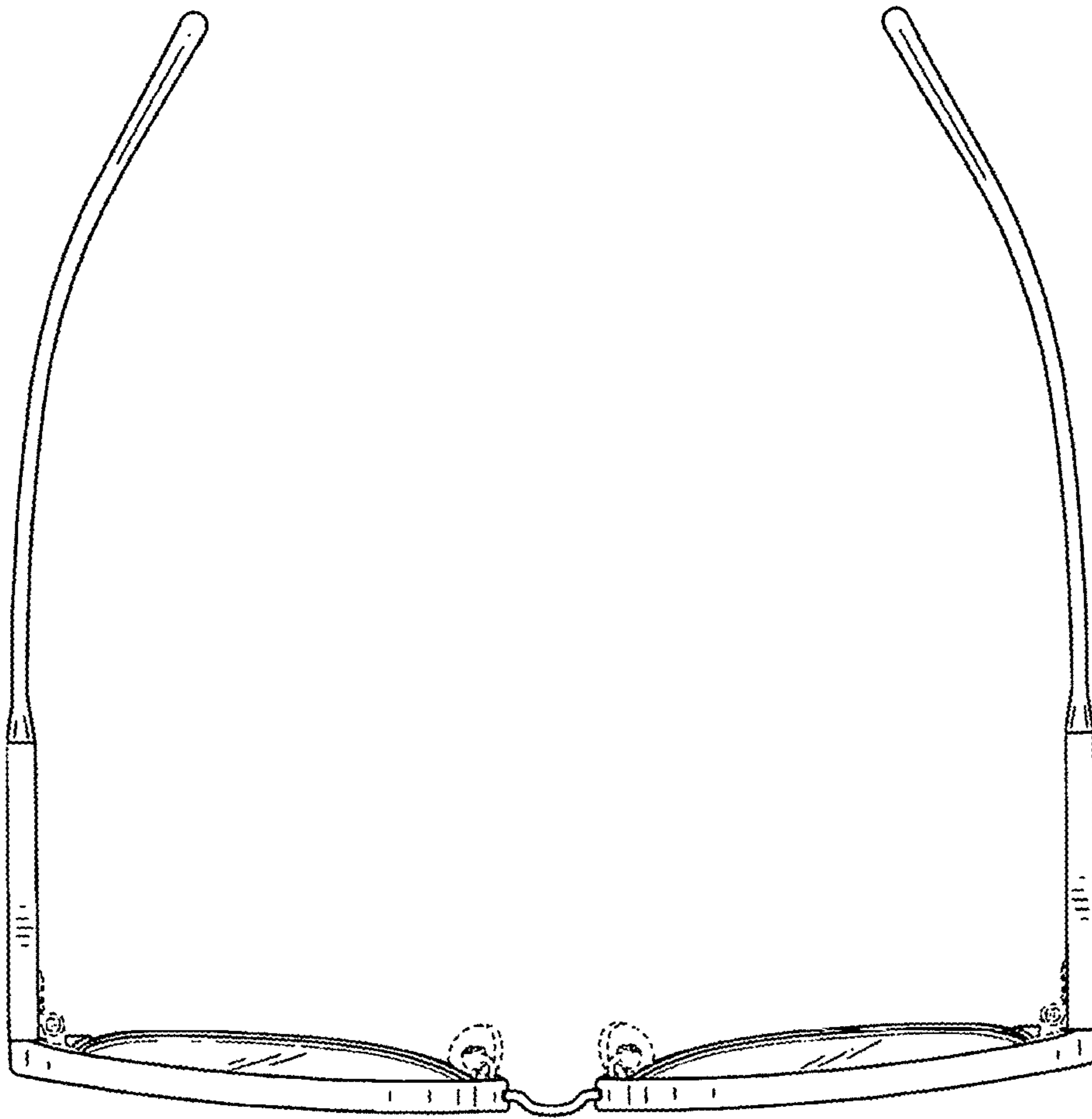


FIG. 6

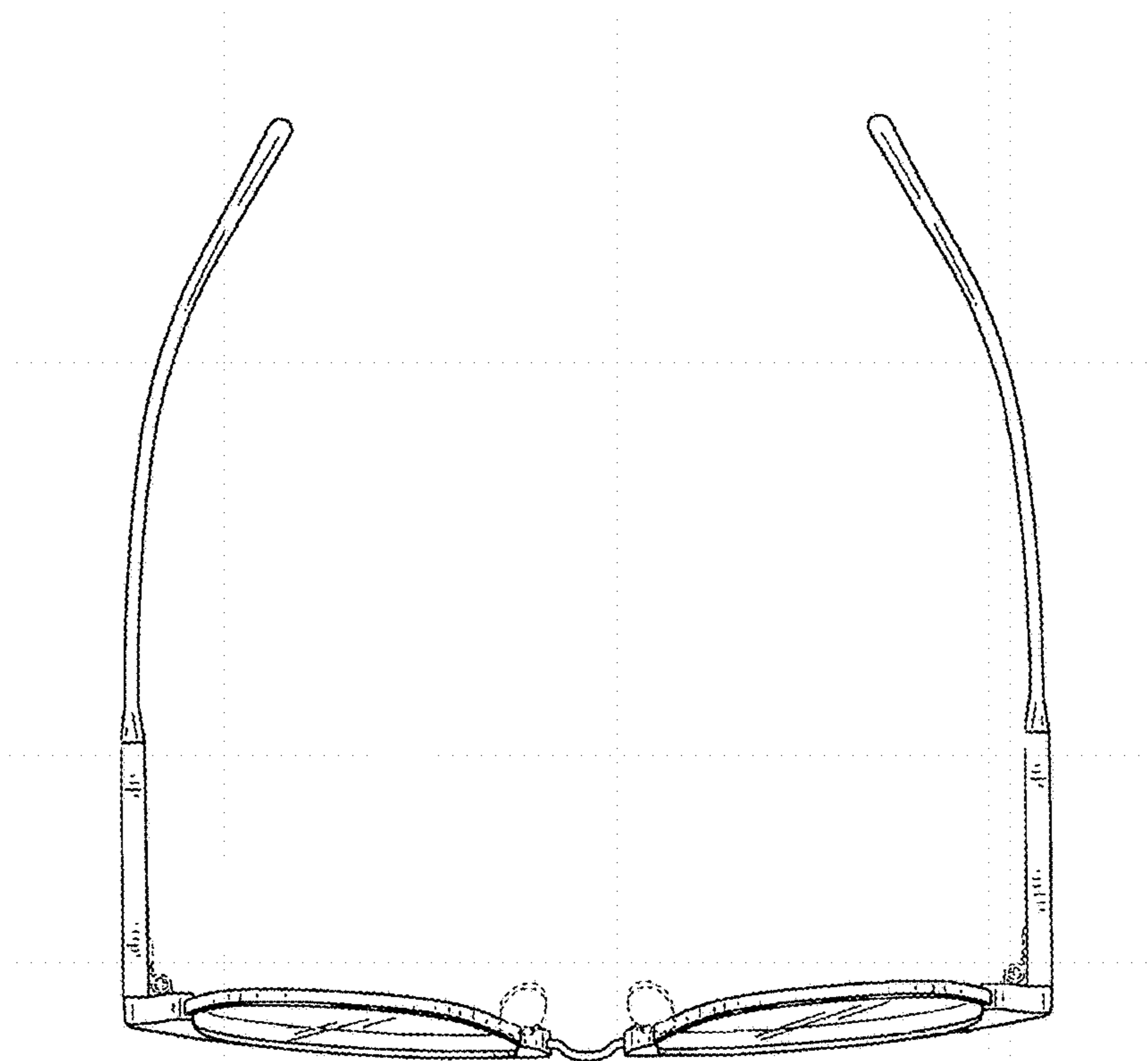


FIG. 7