



US00D805120S

(12) **United States Design Patent**  
**Morishita**

(10) **Patent No.:** **US D805,120 S**

(45) **Date of Patent:** **\*\* Dec. 12, 2017**

(54) **HAND GRIP FOR VIDEO CAMERA**

(71) Applicant: **Panasonic Intellectual Property Management Co., Ltd.**, Osaka-shi, Osaka (JP)

(72) Inventor: **Yoshihito Morishita**, Osaka (JP)

(73) Assignee: **PANASONIC INTELLECTUAL PROPERTY MANAGEMENT CO., LTD.**, Osaka (JP)

(\*\*) Term: **15 Years**

(21) Appl. No.: **29/565,006**

(22) Filed: **May 17, 2016**

(30) **Foreign Application Priority Data**

Feb. 3, 2016 (JP) ..... 2016-002215

(51) **LOC (10) Cl.** ..... **16-05**

(52) **U.S. Cl.**  
USPC ..... **D16/243**

(58) **Field of Classification Search**  
USPC ..... D16/134, 136, 210-219, 221-235,  
D16/237-245, 250; D14/217, 229,  
D14/250-253; D26/37-39, 46, 48  
CPC ..... G03B 17/02; G03B 17/04; G03B 17/14;  
G03B 17/56; G03B 17/561-17/568;  
G03B 7/00-7/002; G03B 7/02-7/04;  
G03B 7/14; G03B 21/20-21/2066; F16M  
11/02; F16M 11/04; F16M 11/20; F16M  
11/40

See application file for complete search history.

(56) **References Cited**

**U.S. PATENT DOCUMENTS**

D159,836 S \* 8/1950 Nerman ..... D16/243  
D231,402 S \* 4/1974 Burke ..... D16/206  
D246,372 S \* 11/1977 Yoshino ..... D16/243  
D320,995 S \* 10/1991 Fukuda ..... 396/420

D323,182 S \* 1/1992 Fukuda ..... 396/420  
D330,904 S \* 11/1992 Sasaki ..... D16/219  
D385,924 S \* 11/1997 Tyler ..... D14/418  
D445,817 S \* 7/2001 Okuley ..... D16/202  
D532,813 S \* 11/2006 Speggorin ..... F16M 11/14  
D16/243  
D624,110 S \* 9/2010 Isozaki ..... D16/136  
D715,847 S \* 10/2014 Herrero ..... D16/243  
D730,429 S \* 5/2015 Anari ..... D16/237

(Continued)

**OTHER PUBLICATIONS**

Hand grip handle for scopes and cameras. [online] published date unknown. Retrieved on May 8, 2017 from <URL: [http://www.nipon-scope.com/index.php?main\\_page=product\\_info&products\\_id=166](http://www.nipon-scope.com/index.php?main_page=product_info&products_id=166)>.\*

(Continued)

*Primary Examiner* — Vy Koenig

*Assistant Examiner* — Omeed Agilee

(74) *Attorney, Agent, or Firm* — Brinks Gilson & Lione

(57) **CLAIM**

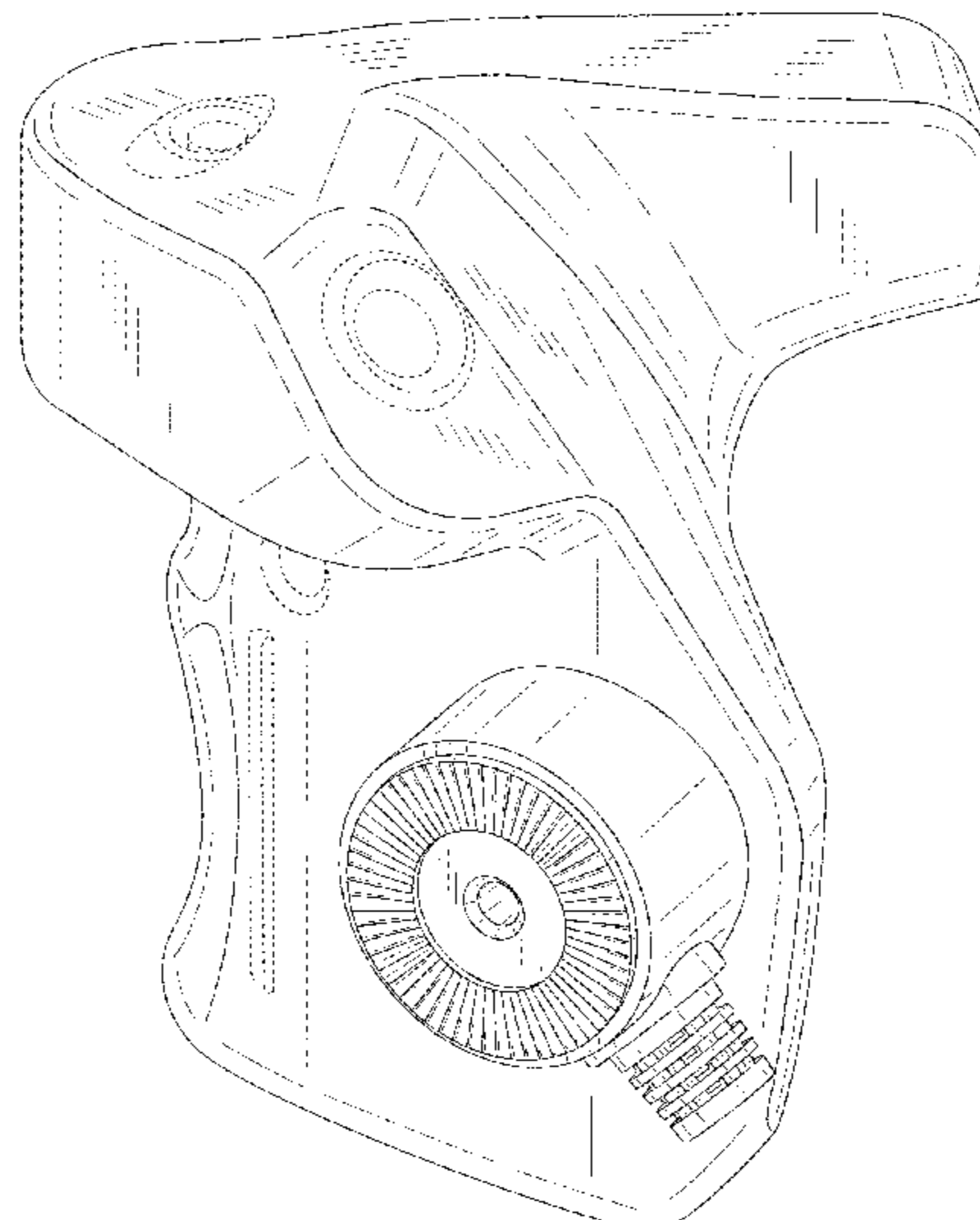
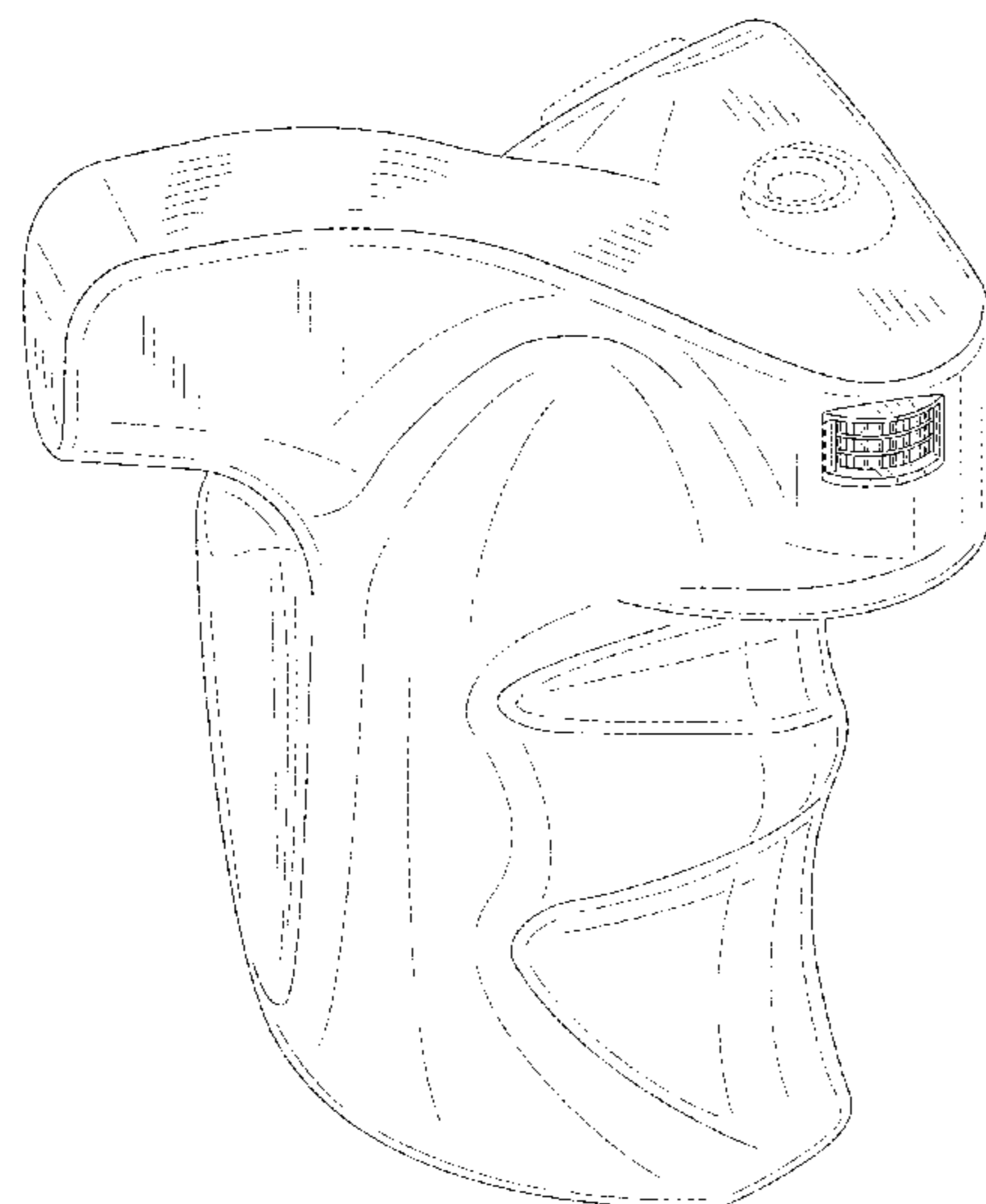
I claim the ornamental design for a hand grip for video camera, as shown and described.

**DESCRIPTION**

FIG. 1 is a front and top perspective view of a hand grip for video camera of the present invention;  
FIG. 2 is a rear and top perspective view thereof;  
FIG. 3 is a front view thereof;  
FIG. 4 is a rear view thereof;  
FIG. 5 is a first side view thereof;  
FIG. 6 is a second side view thereof;  
FIG. 7 is a top view thereof; and,  
FIG. 8 is a bottom view thereof; and,  
FIG. 9 is a cross-sectional view thereof taken along line 9-9 in FIG. 7.

The broken lines shown depict portions of the hand grip for video camera that form no part of the claimed design.

**1 Claim, 9 Drawing Sheets**



(56)

**References Cited**

U.S. PATENT DOCUMENTS

D780,807 S \* 3/2017 Chen ..... D14/203.3  
2011/0169481 A1 \* 7/2011 Nguyen ..... H01M 2/1055  
324/126

OTHER PUBLICATIONS

Panasonic Grip Module for VariCam LT. [online] published date unknown. Retrieved on May 22, 2017 from <URL: [https://www.bhphotovideo.com/bnh/controller/home?A=details&O=&Q=&ap=y&c3api=1876%2C%7Bcreative%7D%2C%7Bkeyword%7D&gclid=Cj0KEQjwmlrJBRCRmJ\\_x7KDo-9oBEiQAUUPKMPtLEUPYRRGWz-Vu0\\_tCWXuAp2GkSlbCAcbPcZkliYaAjia8P8HAQ&is=REG&m=Y&sku=1226389](https://www.bhphotovideo.com/bnh/controller/home?A=details&O=&Q=&ap=y&c3api=1876%2C%7Bcreative%7D%2C%7Bkeyword%7D&gclid=Cj0KEQjwmlrJBRCRmJ_x7KDo-9oBEiQAUUPKMPtLEUPYRRGWz-Vu0_tCWXuAp2GkSlbCAcbPcZkliYaAjia8P8HAQ&is=REG&m=Y&sku=1226389)>.\*

\* cited by examiner

FIG. 1

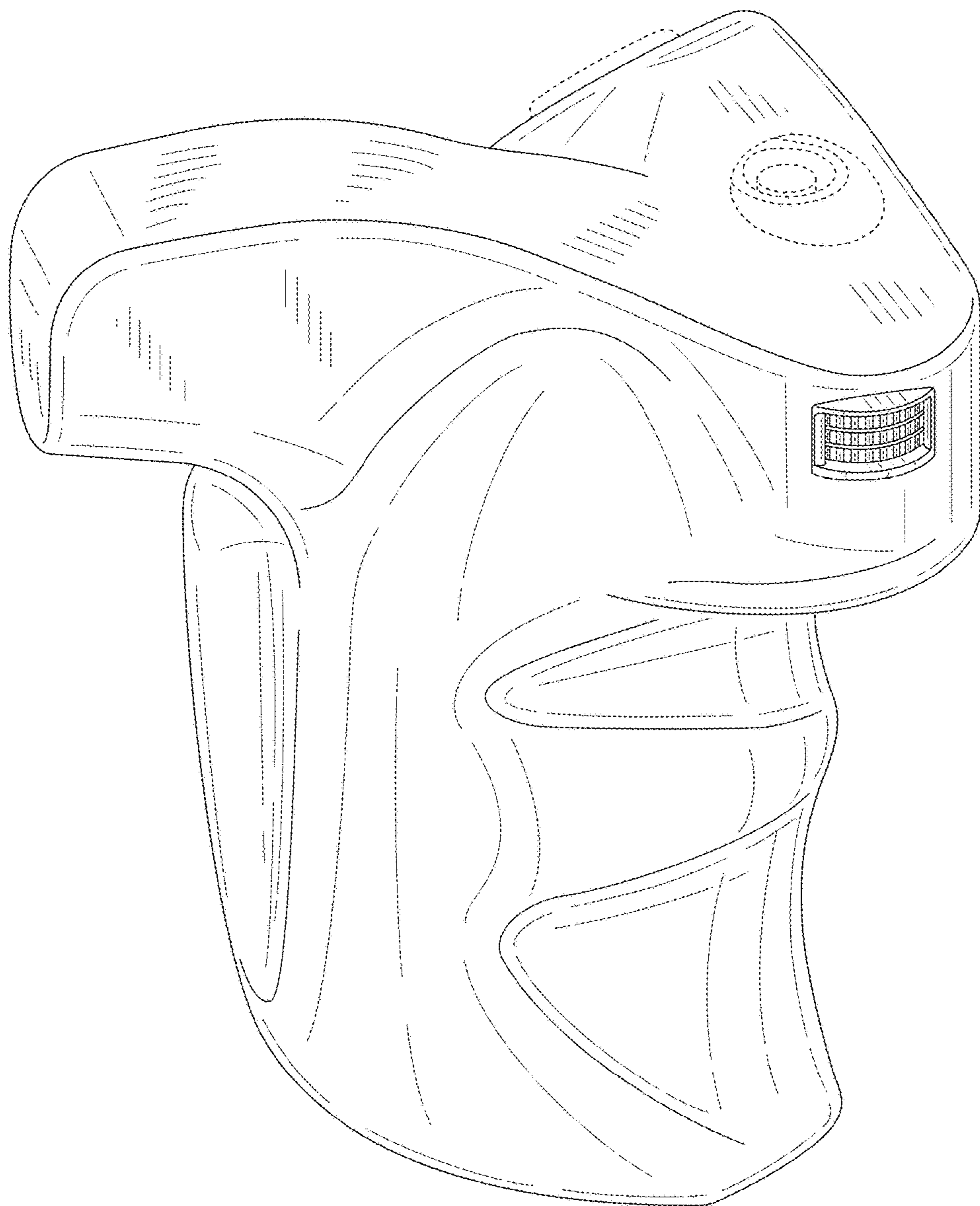


FIG. 2

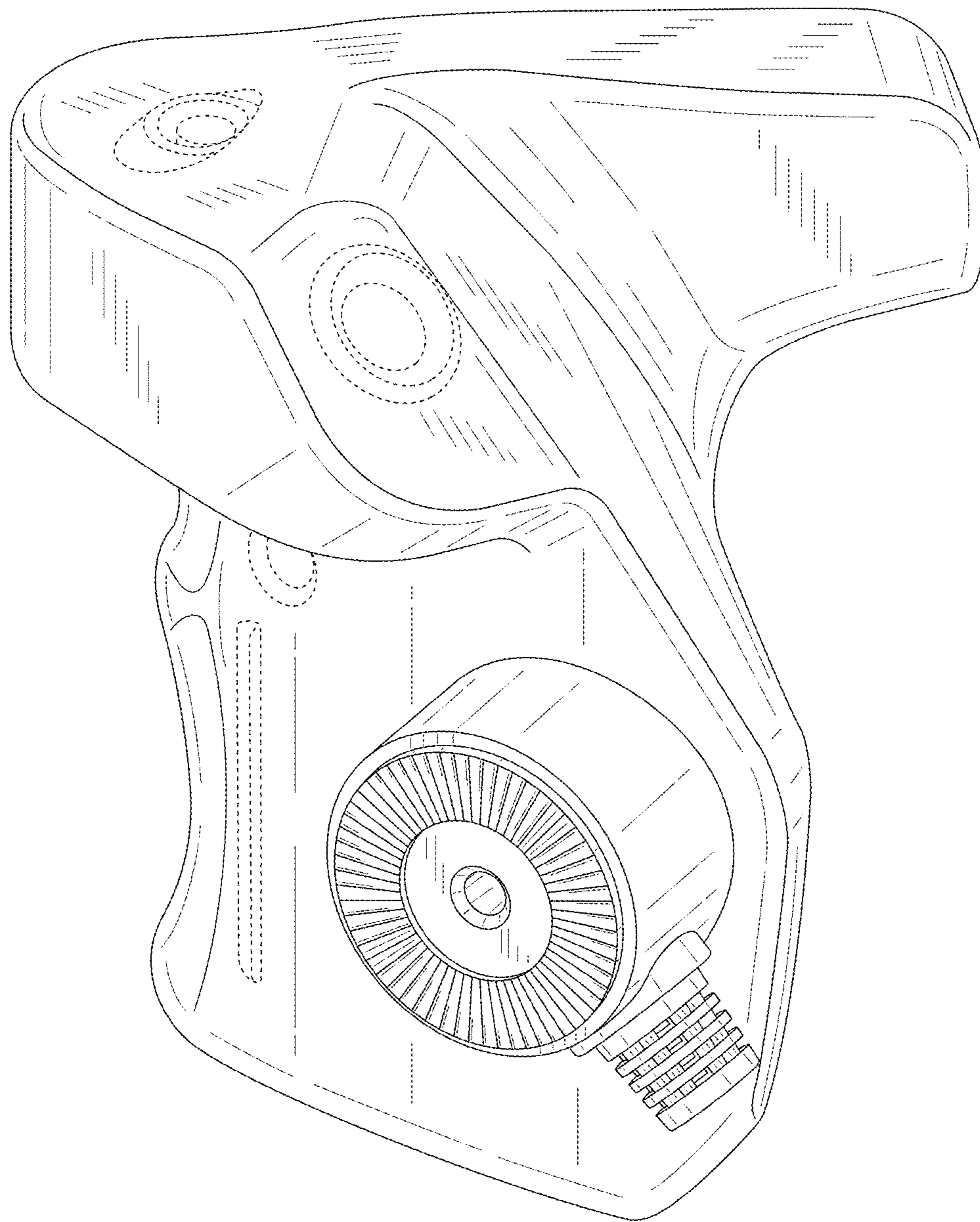




FIG. 3

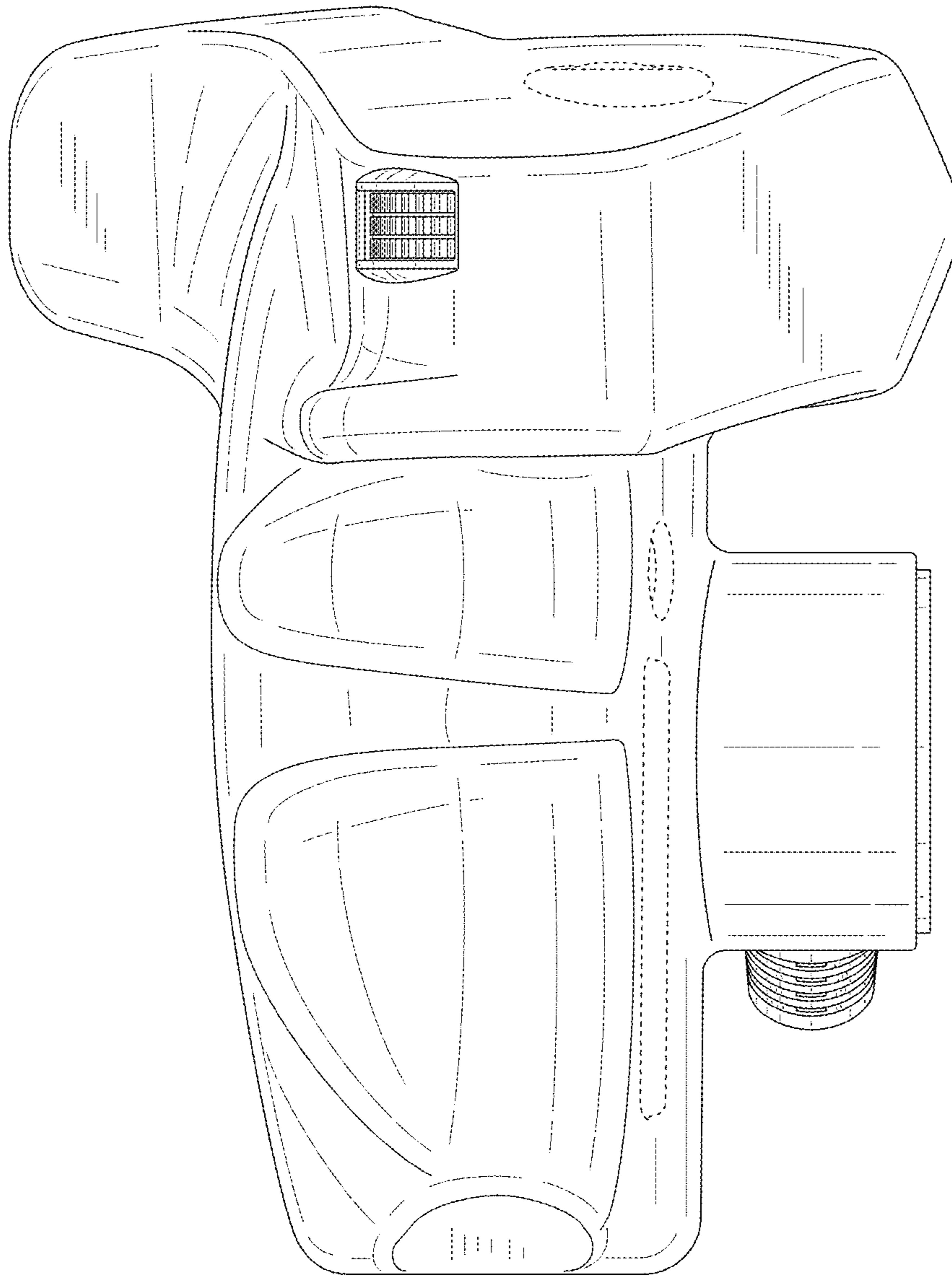


FIG. 4

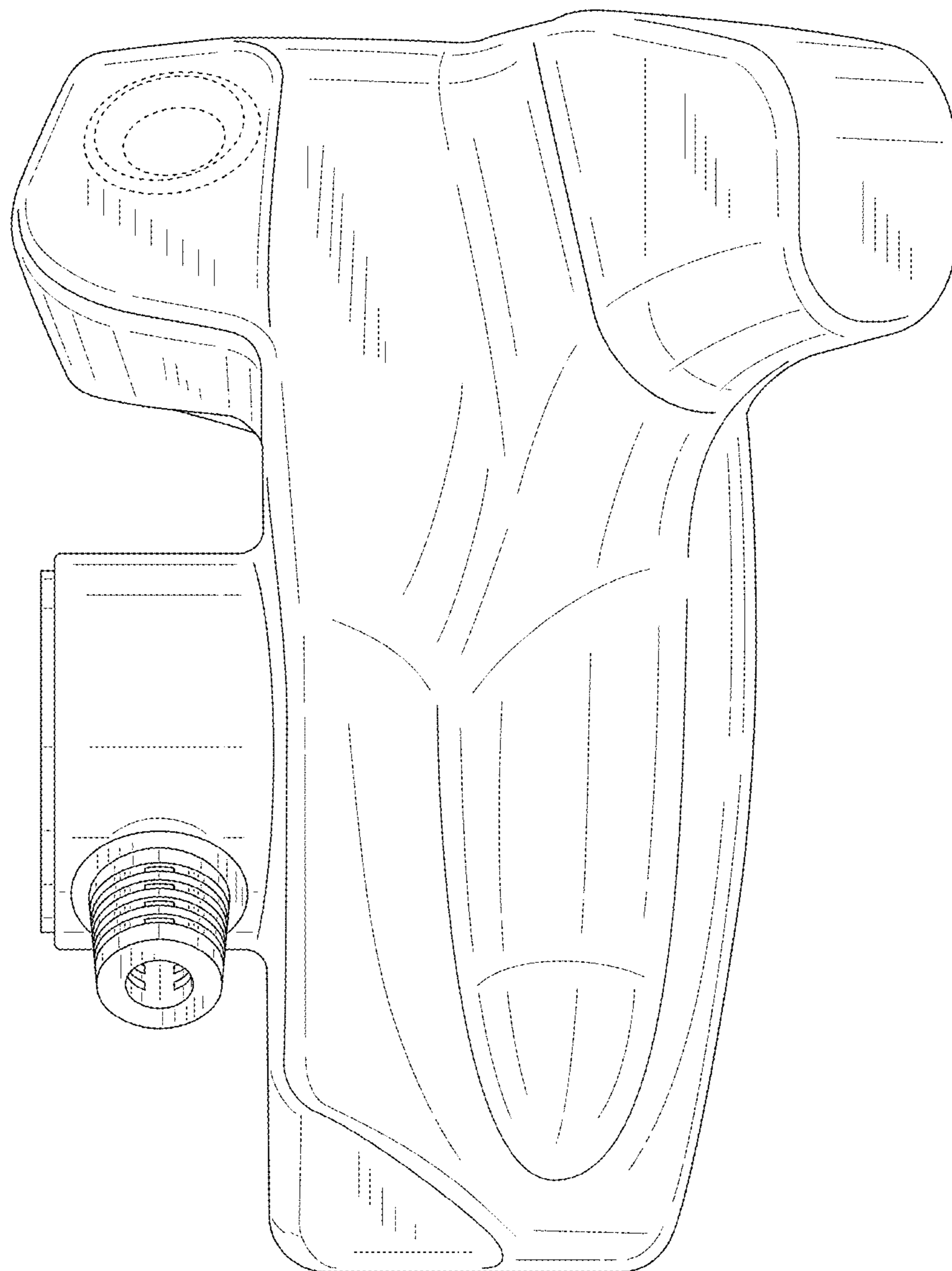


FIG. 5

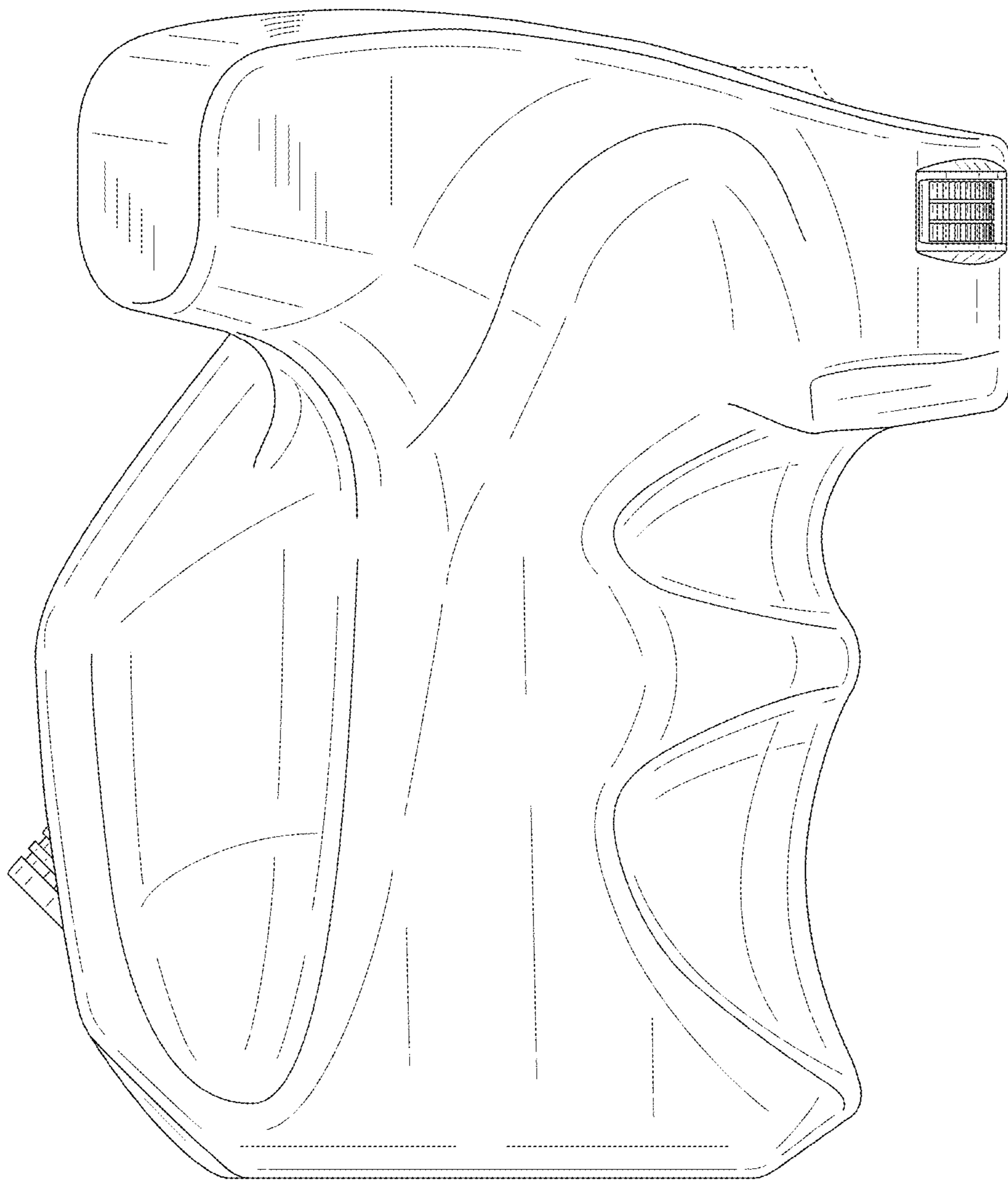


FIG. 6

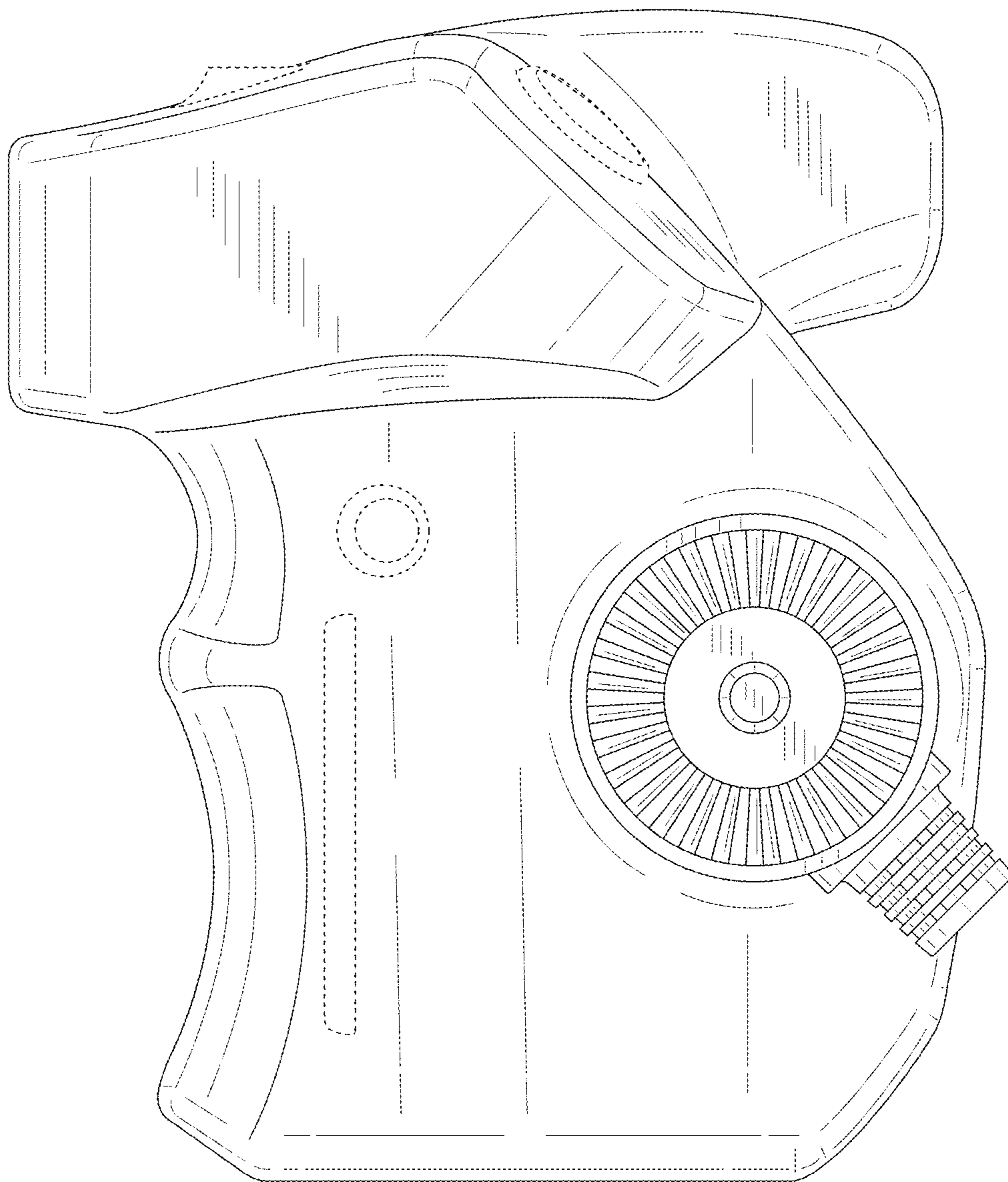




FIG. 7

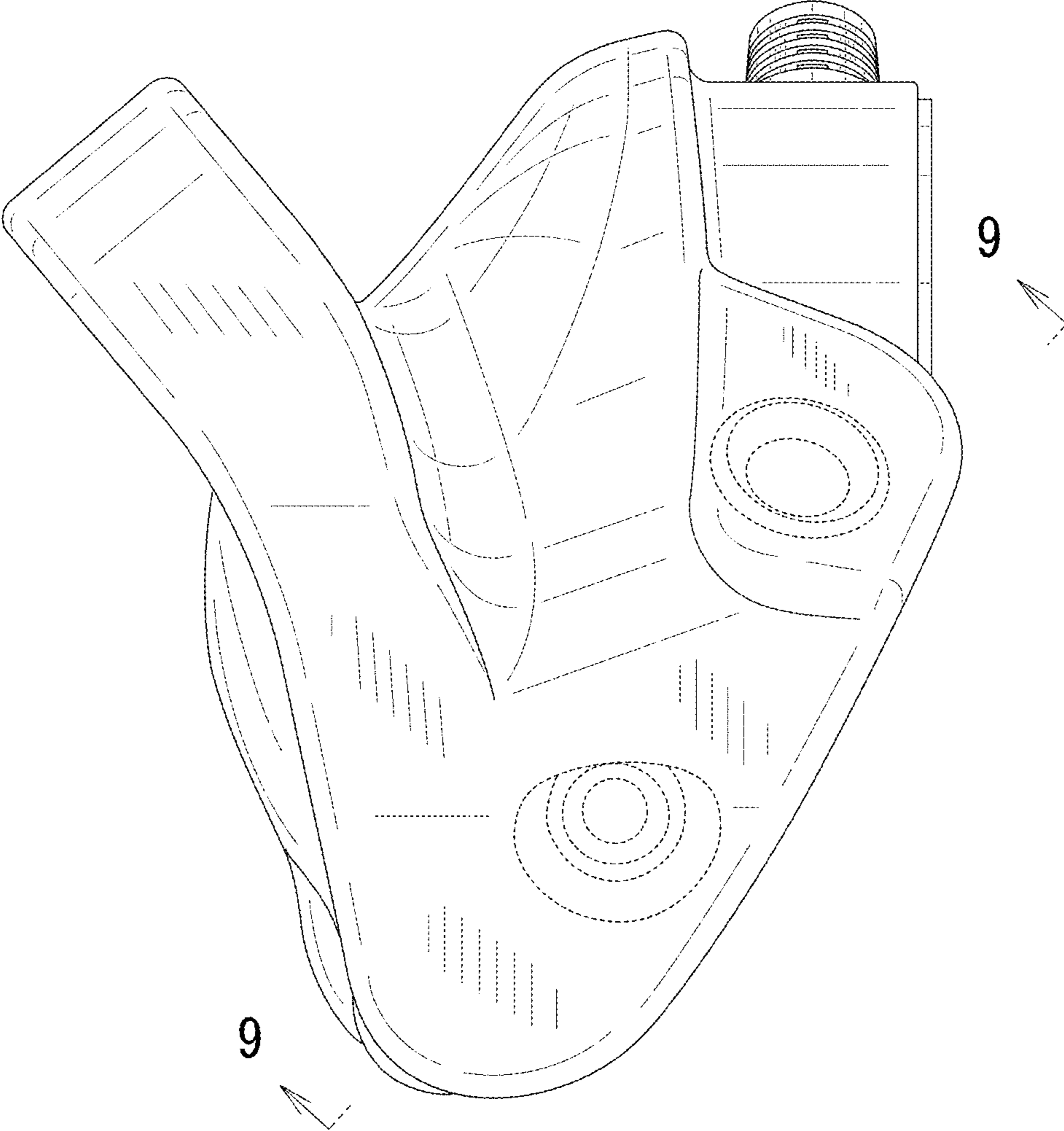


FIG. 8

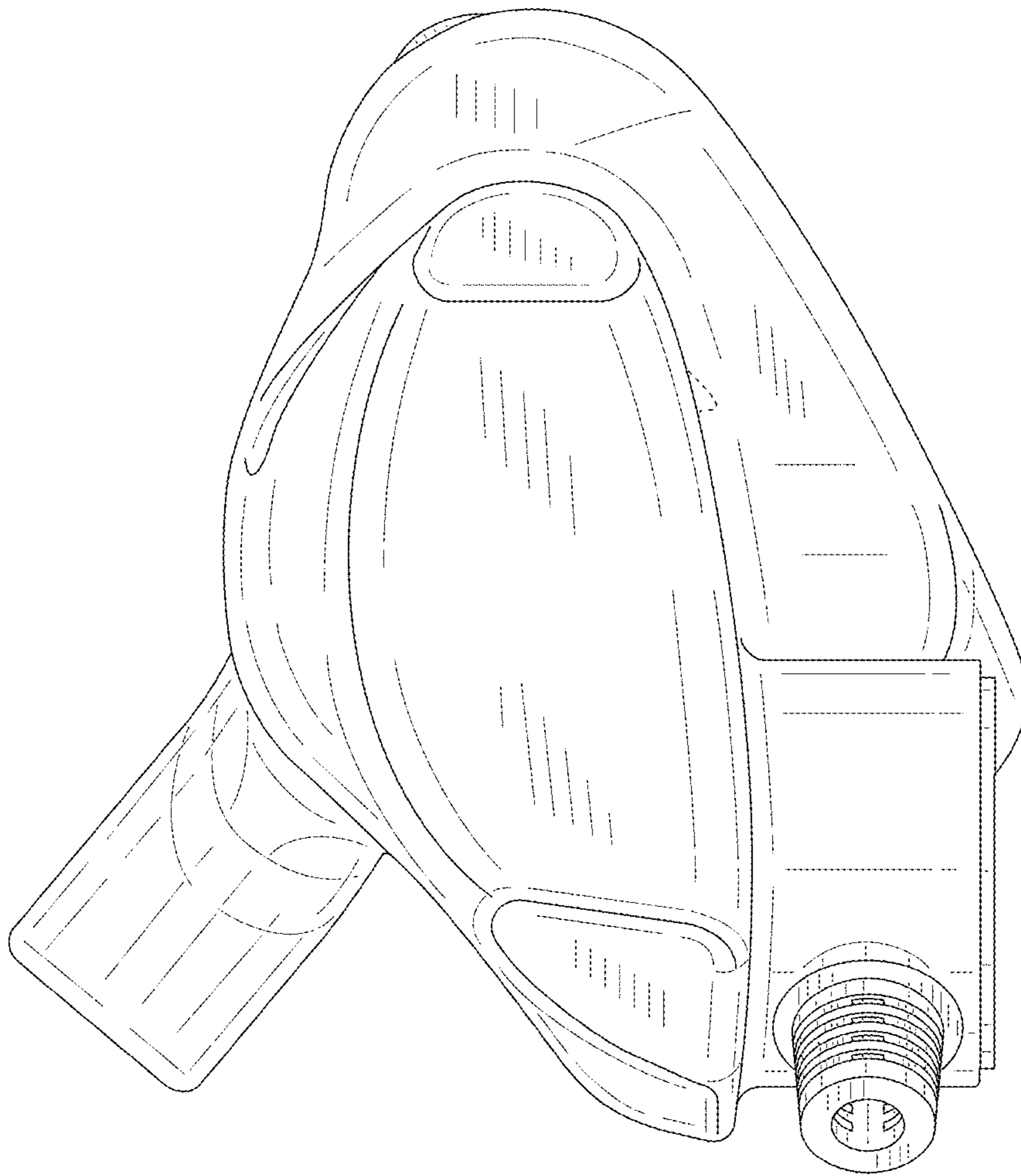


FIG. 9

