



US00D805118S

(12) **United States Design Patent**
Caldeira et al.

(10) **Patent No.:** **US D805,118 S**

(45) **Date of Patent:** **** Dec. 12, 2017**

(54) **CAMERA STABILIZATION APPARATUS FOR USE IN AQUATIC ENVIRONMENT**

(71) Applicant: **Brad W. Caldeira**, Margate, FL (US)

(72) Inventors: **Brad W Caldeira**, Margate, FL (US);
Eric William Conley, South Berwick, ME (US); **Luis David Suazo**, Tamarac, FL (US)

(**) Term: **15 Years**

(21) Appl. No.: **29/567,051**

(22) Filed: **Jun. 5, 2016**

(51) **LOC (10) Cl.** **16-05**

(52) **U.S. Cl.**

USPC **D16/242**

(58) **Field of Classification Search**

USPC D16/208, 213–219, 235, 237–250;
D14/217, 229, 250–253; D8/363, 373,
D8/394

CPC G03B 17/02–17/04; G03B 17/14; G03B
17/56; G03B 17/561–17/568; G03B
21/20; G02B 7/00–7/002; F16M 11/02;
F16M 11/04; F16M 11/20; F16M 11/40

See application file for complete search history.

(56) **References Cited**

U.S. PATENT DOCUMENTS

5,225,863	A *	7/1993	Weir-Jones	B61B 7/02 348/143
D372,038	S *	7/1996	Chen	D15/141
D600,945	S *	9/2009	Kelsen	D14/451
8,827,575	B1 *	9/2014	Caldeira	G03B 17/561 396/29
D723,090	S *	2/2015	Firchau	D16/242
D748,640	S *	2/2016	Hart	D14/451
D775,116	S *	12/2016	Abrahams	D14/253
2014/0161434	A1 *	6/2014	Koymen	G03B 17/561 396/428

2014/0319300	A1 *	10/2014	Kessler	G03B 17/561 248/285.1
2015/0234258	A1 *	8/2015	Hida	F16M 11/20 396/428
2016/0216596	A1 *	7/2016	Hart	G03B 17/561
2016/0299411	A1 *	10/2016	Chapman	G03B 17/561

FOREIGN PATENT DOCUMENTS

CN 201630383319 * 8/2016

OTHER PUBLICATIONS

Glide Gear DSLR Video Track Slider 23.5" with Phone Adapter. [online] Published date unknown. Retrieved on Jun. 12, 2017 from <URL: <https://glidegear.net/product/glide-gear-dslr-video-track-slider-23-5-with-phone-adapter/>>.*

Glide Gear DEV Dolly Video Camera Track System. [online] Published date unknown. Retrieved on Jun. 12, 2017 from <URL: <https://glidegear.net/product/glide-gear-dev-dolly/>>.*

* cited by examiner

Primary Examiner — Vy N Koenig

Assistant Examiner — Omeed Agilee

(74) *Attorney, Agent, or Firm* — Kajane McManus

(57) **CLAIM**

The ornamental design for a camera stabilization apparatus for use in aquatic environment, as shown and described.

DESCRIPTION

FIG. 1 is a front, top, and left perspective view of a camera stabilization apparatus for use in aquatic environment showing our new design;

FIG. 2 is a top plan view thereof;

FIG. 3 is a bottom plan view thereof;

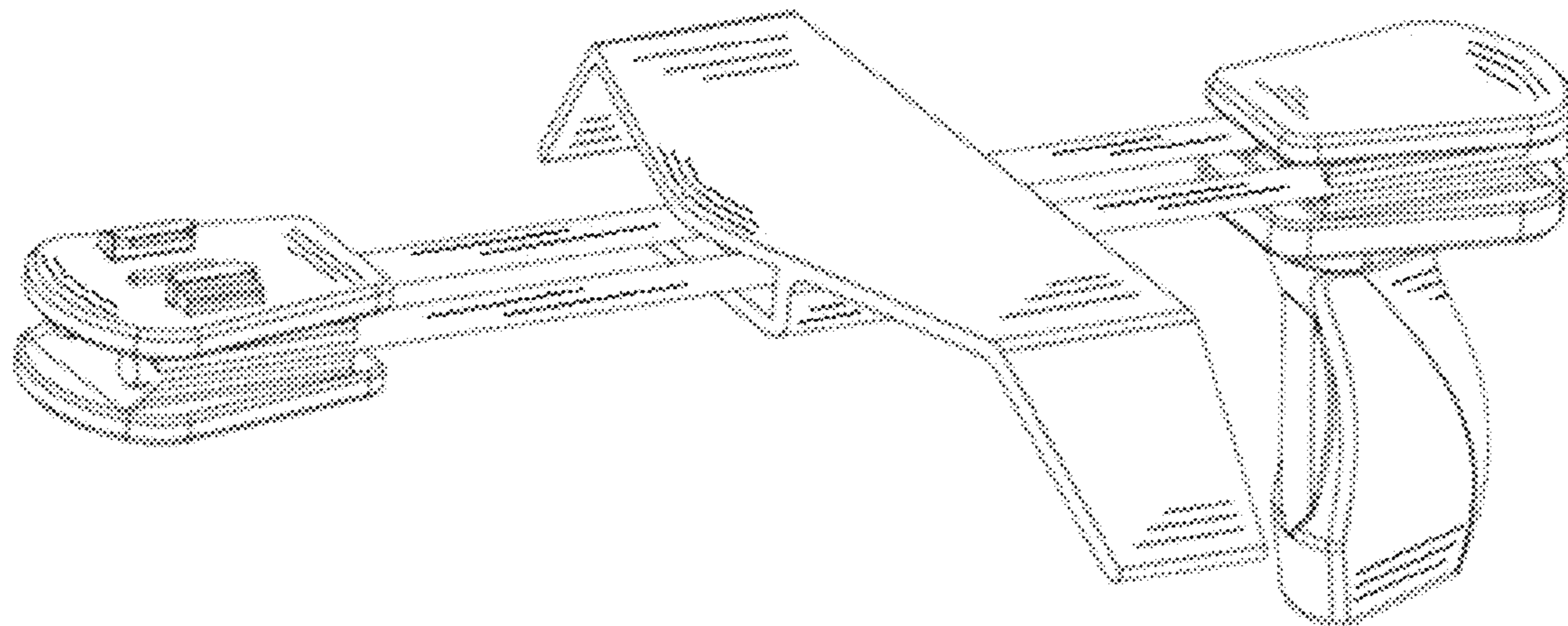
FIG. 4 is a right side elevational view thereof;

FIG. 5 is a left side elevational view thereof;

FIG. 6 is a front elevational view thereof; and,

FIG. 7 is a back elevational view thereof.

1 Claim, 7 Drawing Sheets



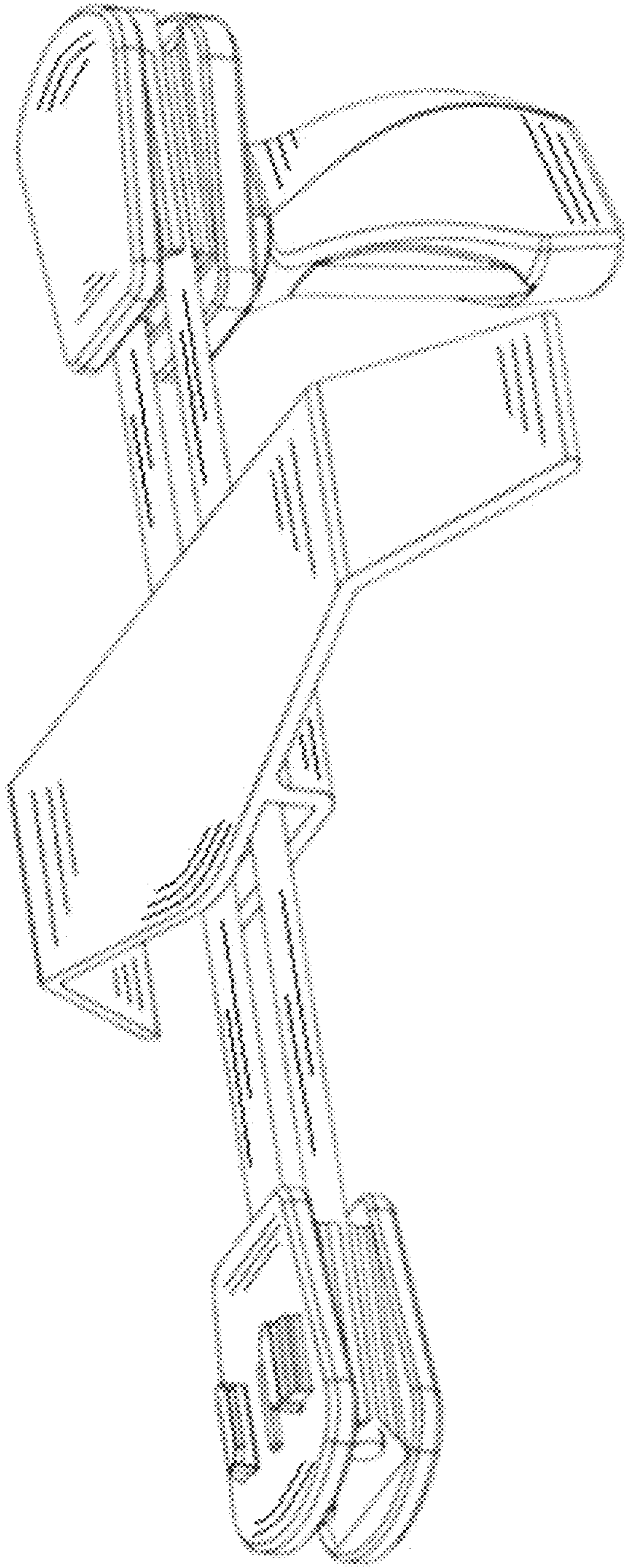


FIG. 1

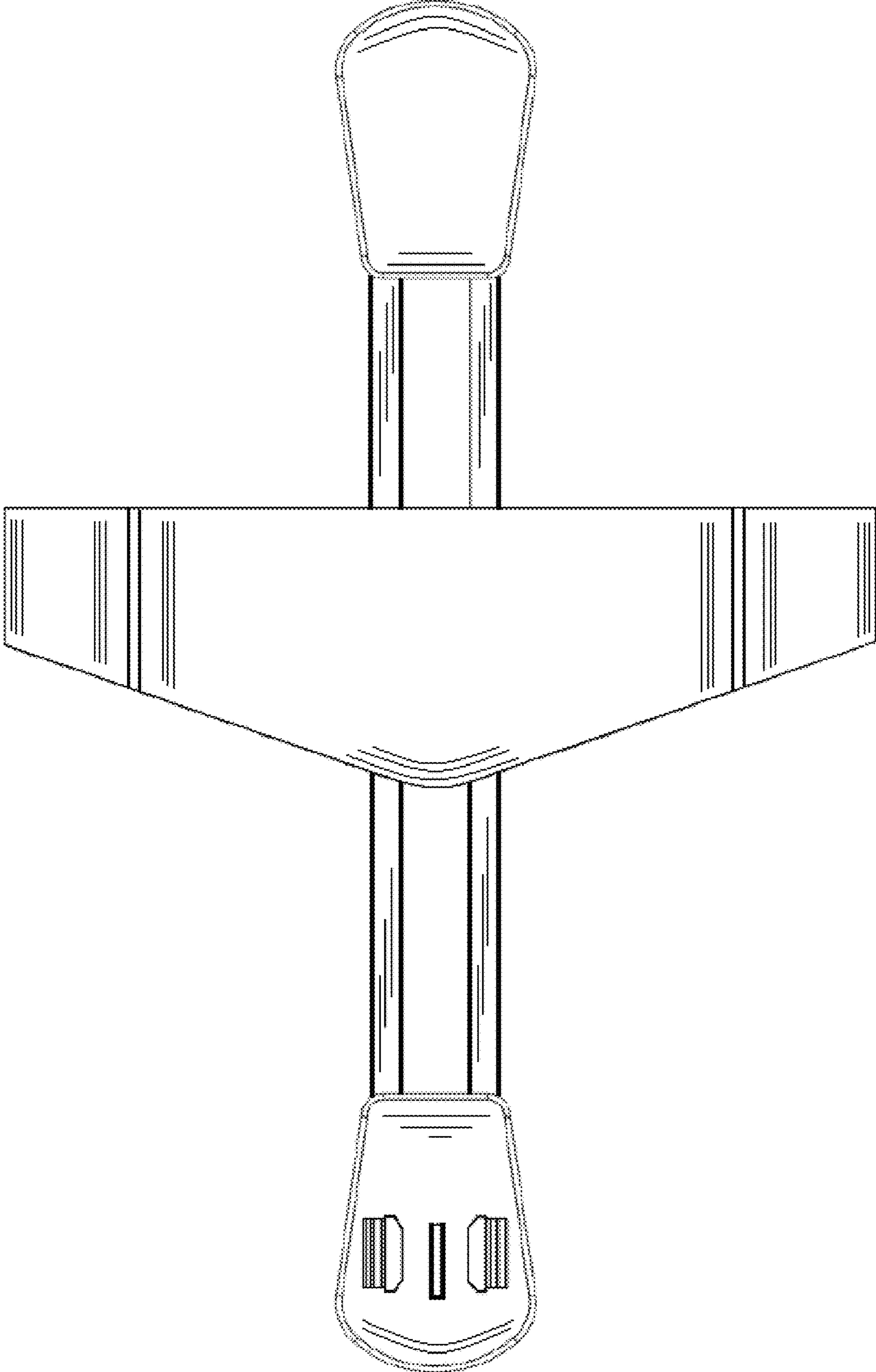


FIG. 2

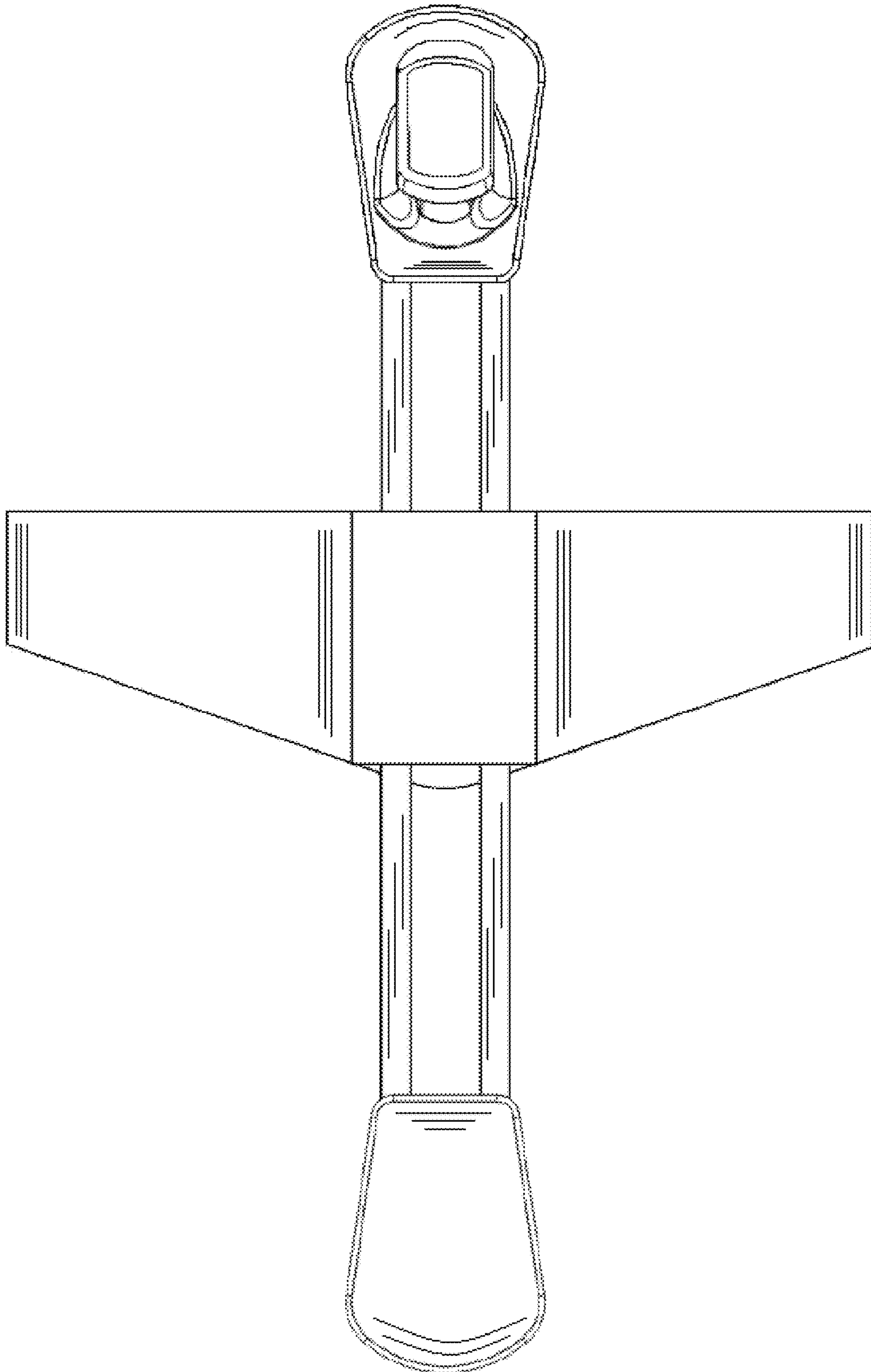


FIG. 3

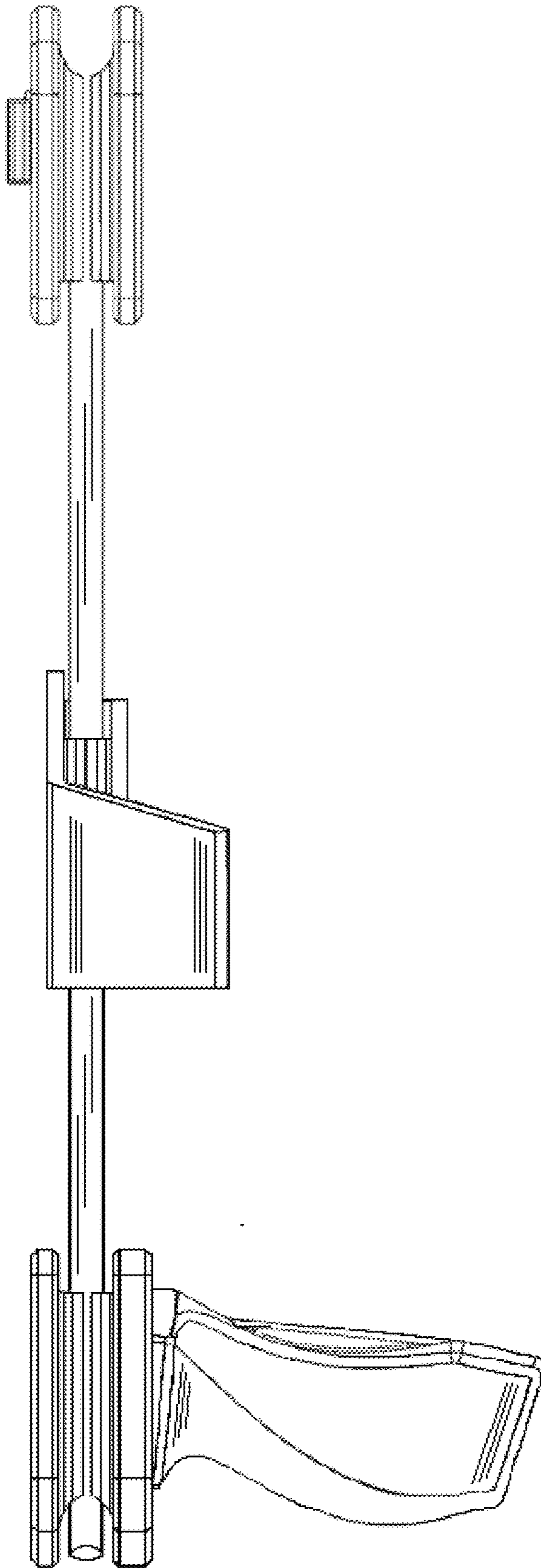


FIG. 4

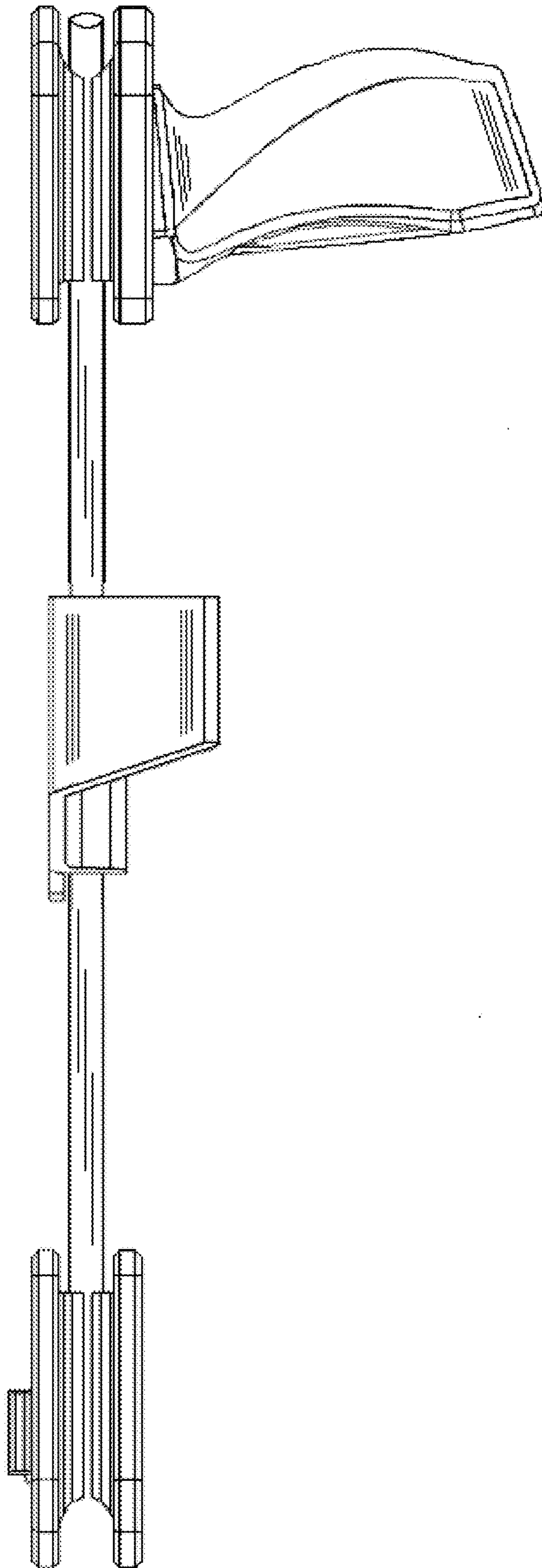


FIG. 5

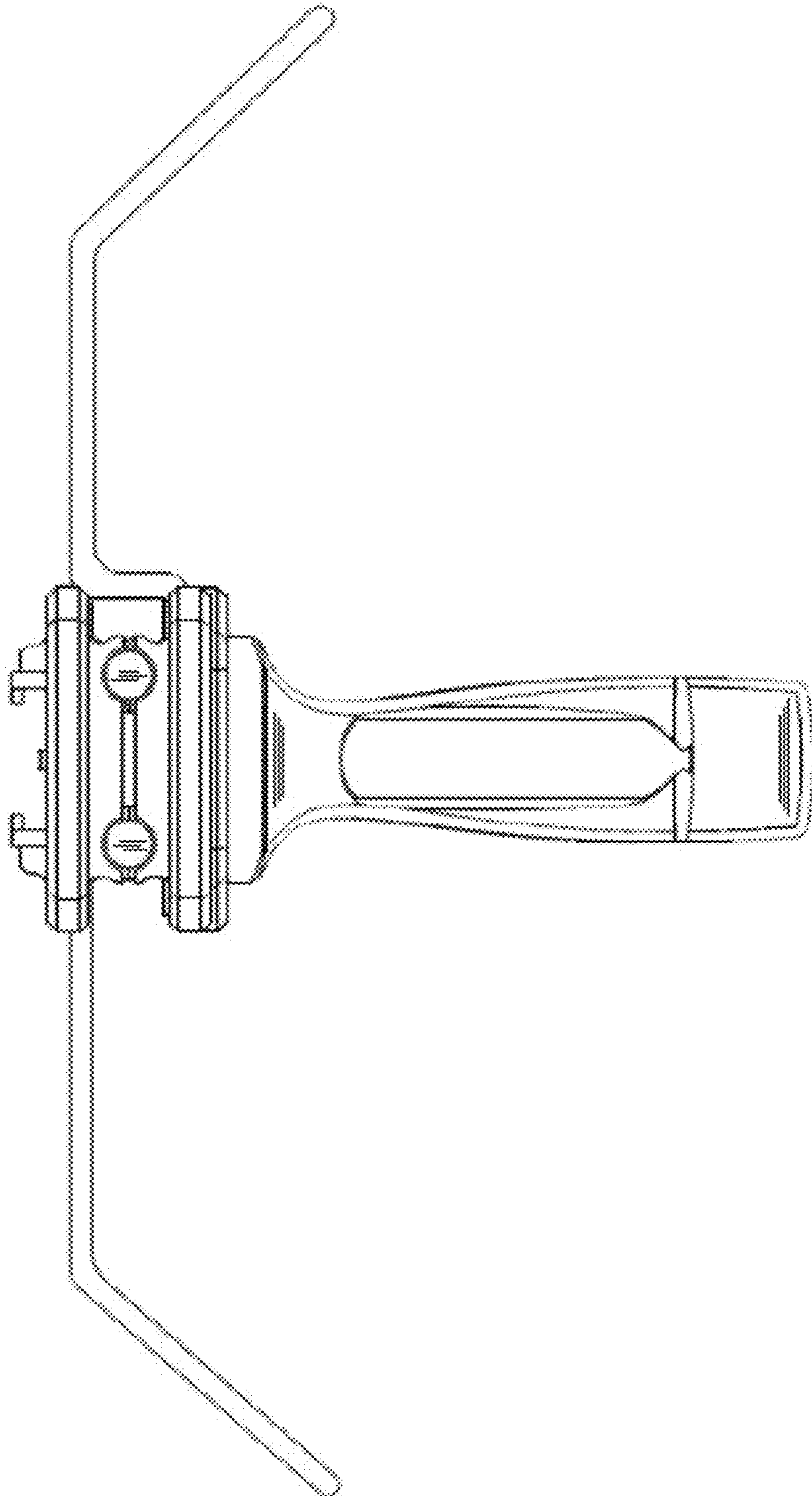


FIG. 6

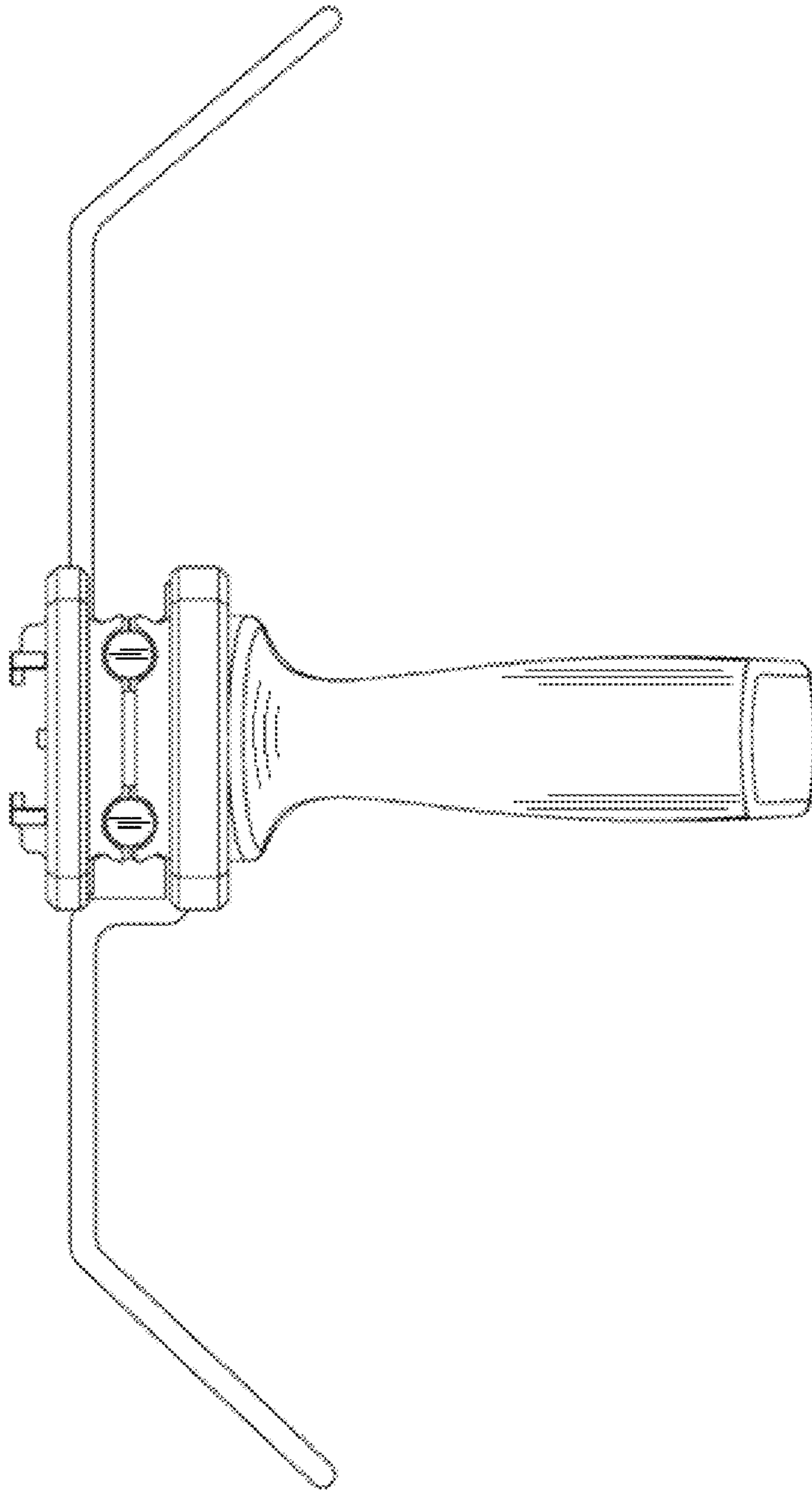


FIG. 7