



US00D805117S

(12) **United States Design Patent** (10) **Patent No.:** **US D805,117 S**
Nguyen et al. (45) **Date of Patent:** **** Dec. 12, 2017**

(54) **CAMERA**

(71) Applicant: **GoPro, Inc.**, San Mateo, CA (US)

(72) Inventors: **Huy Phuong Nguyen**, San Mateo, CA (US); **Richard Gioscia**, Santa Clara, CA (US); **Quinn Jerome Odette Fitzgerald**, San Francisco, CA (US); **William Duncan Webb, II**, San Francisco, CA (US)

(73) Assignee: **GoPro, Inc.**, San Mateo, CA (US)

(**) Term: **15 Years**

(21) Appl. No.: **29/607,923**

(22) Filed: **Jun. 16, 2017**

Related U.S. Application Data

(63) Continuation-in-part of application No. 29/576,703, filed on Sep. 6, 2016, now Pat. No. Des. 790,002, which is a continuation of application No. 29/545,934, filed on Nov. 17, 2015, now Pat. No. Des. 769,346.

(51) **LOC (10) Cl.** **16-01**

(52) **U.S. Cl.**
USPC **D16/218**

(58) **Field of Classification Search**
USPC D16/200, 202–206, 208–209, 212, 218, D16/219; 348/373–376; 396/448, 535, 396/539–541
CPC G03B 15/03; G03B 17/02; G03B 17/04; G03B 17/56; G03B 19/04; H04N 5/2251; H04N 5/2252; H04N 5/2253; H04N 5/2254; H04N 2101/00
See application file for complete search history.

(56) **References Cited**

U.S. PATENT DOCUMENTS

D392,659 S	3/1998	Takano	
D407,098 S	3/1999	Goto et al.	
D487,765 S	3/2004	Dow et al.	
D647,554 S *	10/2011	Yim	D16/204
8,544,643 B2	10/2013	Yim	
D710,922 S	8/2014	Gioscia et al.	
D721,395 S	1/2015	Woodman et al.	
D725,169 S	3/2015	Gioscia et al.	
D732,593 S	6/2015	Woodman	
D734,799 S	7/2015	Woodman et al.	
D737,879 S	9/2015	Woodman et al.	
D739,451 S *	9/2015	Gioscia	D16/200
D742,952 S	11/2015	Nakajima	

(Continued)

Primary Examiner — Philip S Hyder

Assistant Examiner — Ramzi Almatrahi

(74) *Attorney, Agent, or Firm* — Fenwick & West LLP

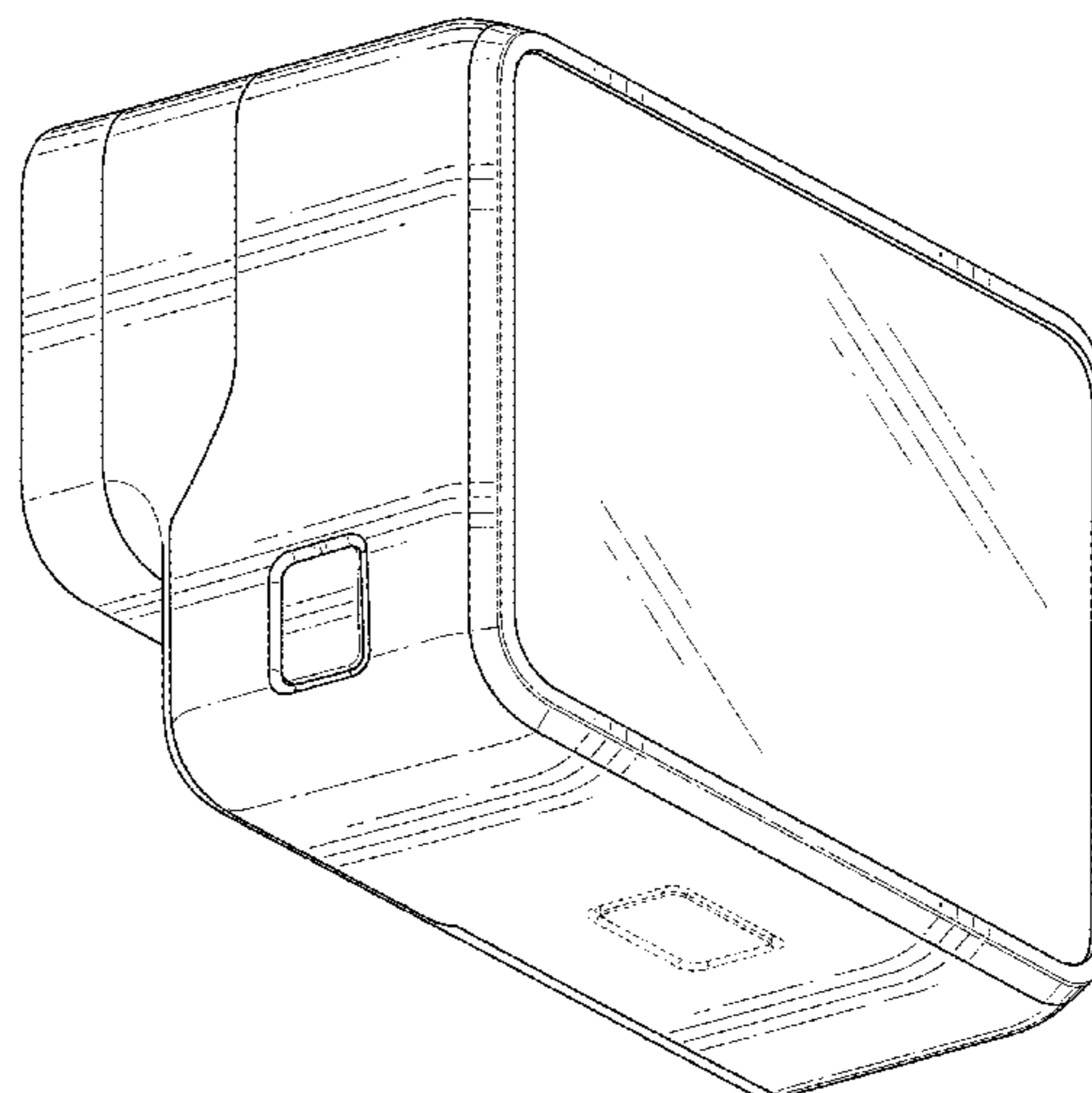
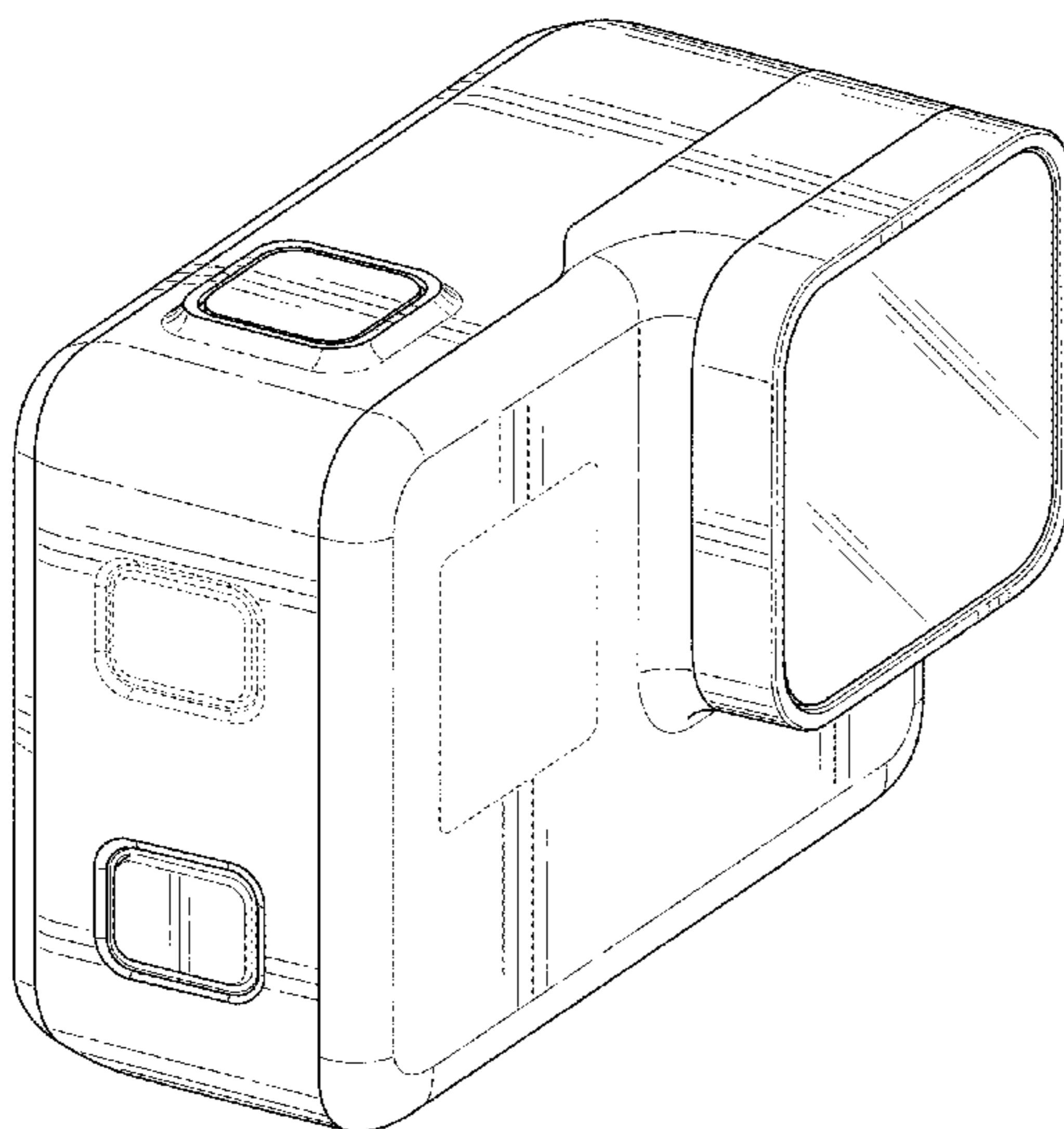
(57) **CLAIM**

The ornamental design for a camera, as shown and described.

DESCRIPTION

FIG. 1 is a front, top, and left side perspective view of a camera showing our new design;
FIG. 2 is a rear, bottom, and right side perspective view thereof;
FIG. 3 is a front, top, and right side perspective view thereof;
FIG. 4 is a rear, bottom, and left side perspective view thereof;
FIG. 5 is a front elevational view thereof;
FIG. 6 is a rear elevational view thereof;
FIG. 7 is a left side elevational view thereof;
FIG. 8 is a right side elevational view thereof;
FIG. 9 is a top plan view thereof; and,
FIG. 10 is a bottom plan view thereof.
The broken lines depict portions of the camera in which the design is embodied that form no part of the claimed design.

1 Claim, 10 Drawing Sheets



(56)

References Cited

U.S. PATENT DOCUMENTS

D750,146 S	2/2016	Costa et al.	
D750,680 S	3/2016	Chen	
D750,686 S	3/2016	Chen	
D751,131 S	3/2016	Woodman et al.	
D753,749 S	4/2016	Zhu	
D755,270 S	5/2016	Vehlewald et al.	
D755,874 S	5/2016	Yang	
D758,467 S	6/2016	Zhang	
D760,309 S	6/2016	Parfitt et al.	
D772,966 S *	11/2016	Song	D16/200
D785,692 S *	5/2017	Wang	D16/200
D789,435 S *	6/2017	Nguyen	D16/202
D790,001 S *	6/2017	Parfitt	D16/202
D790,002 S *	6/2017	Nguyen	D16/218
D791,211 S *	7/2017	Fujita	D16/219
D793,463 S *	8/2017	Houin	D16/202

* cited by examiner

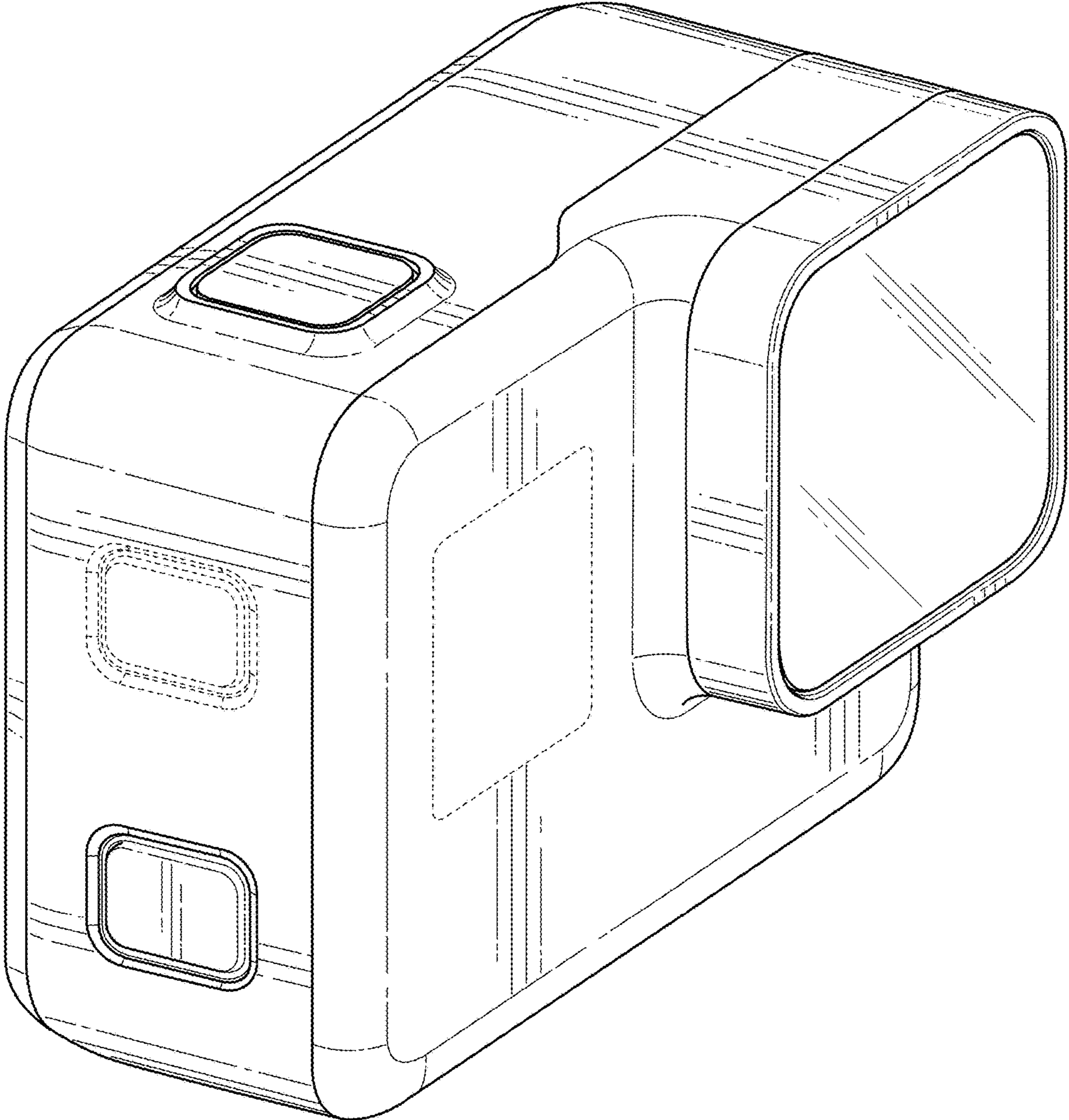


FIG. 1

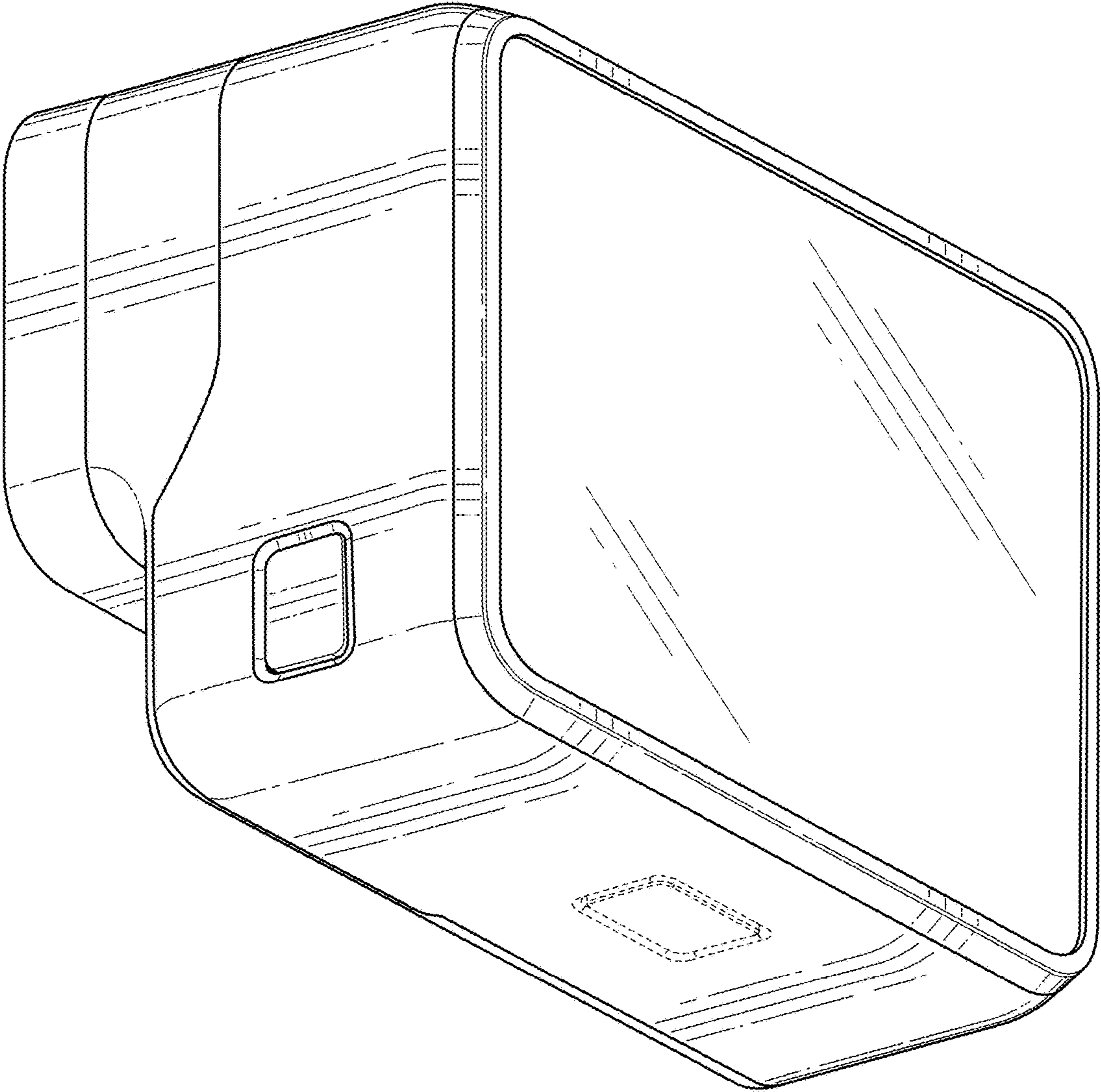


FIG. 2

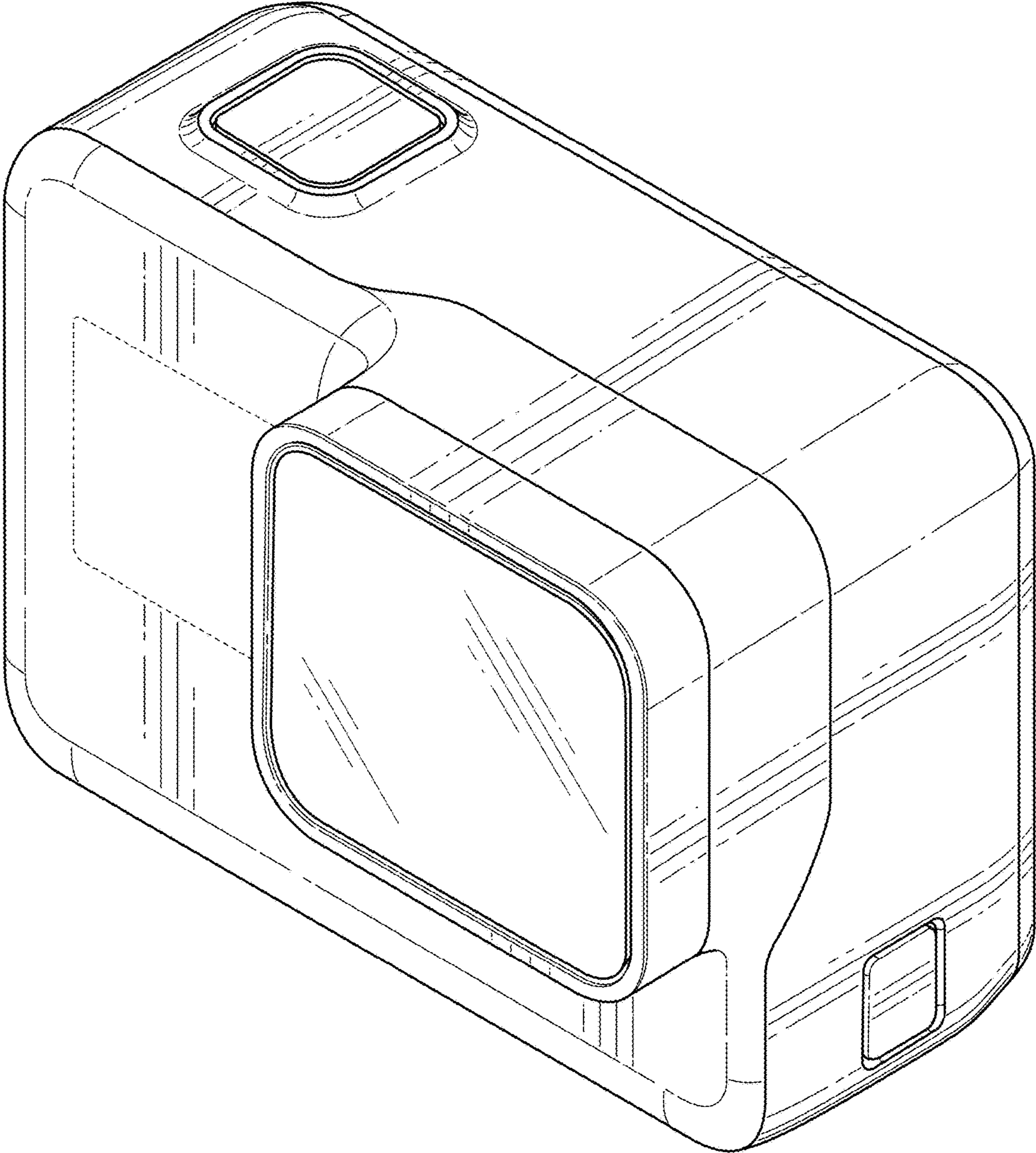


FIG. 3

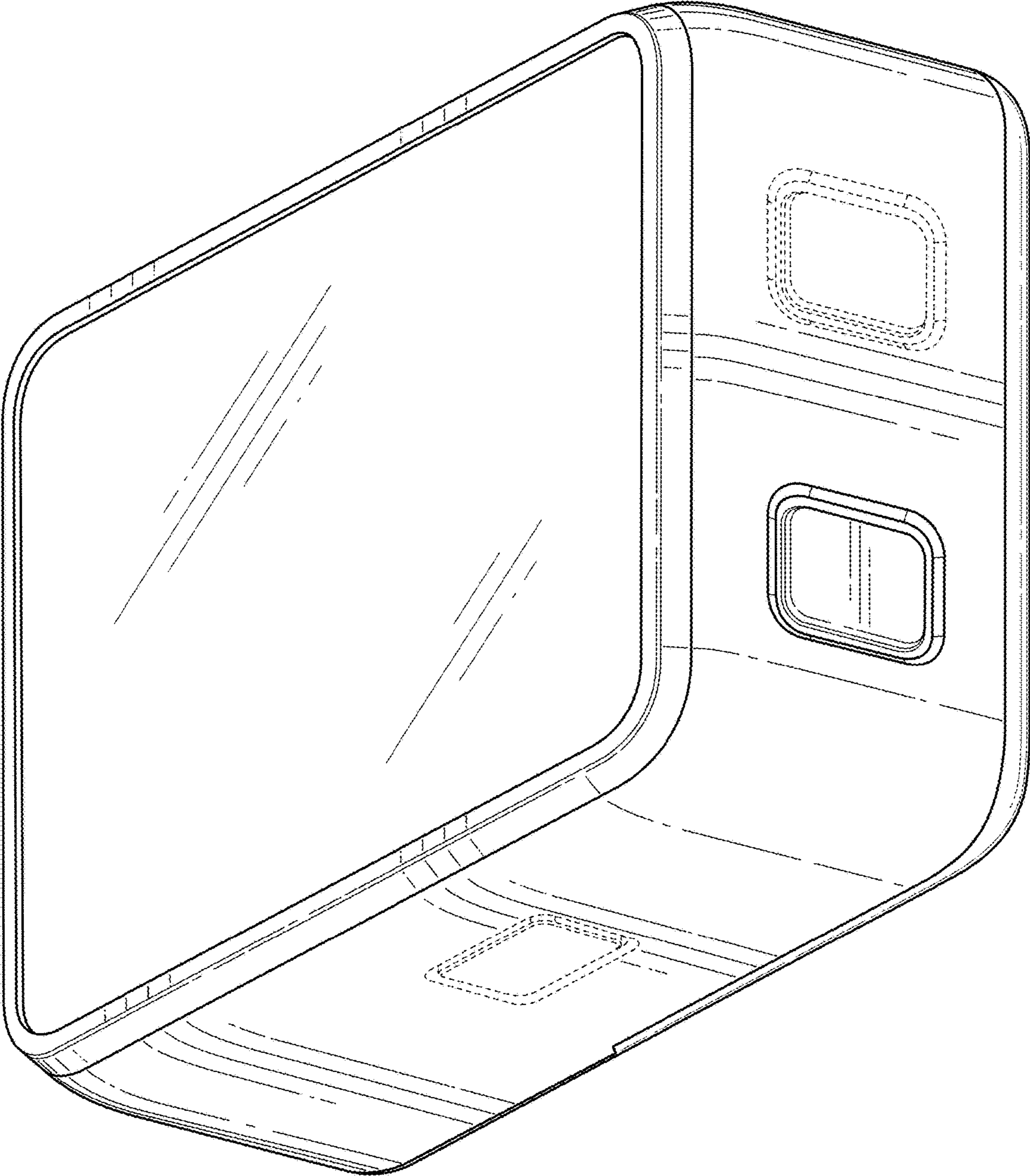


FIG. 4

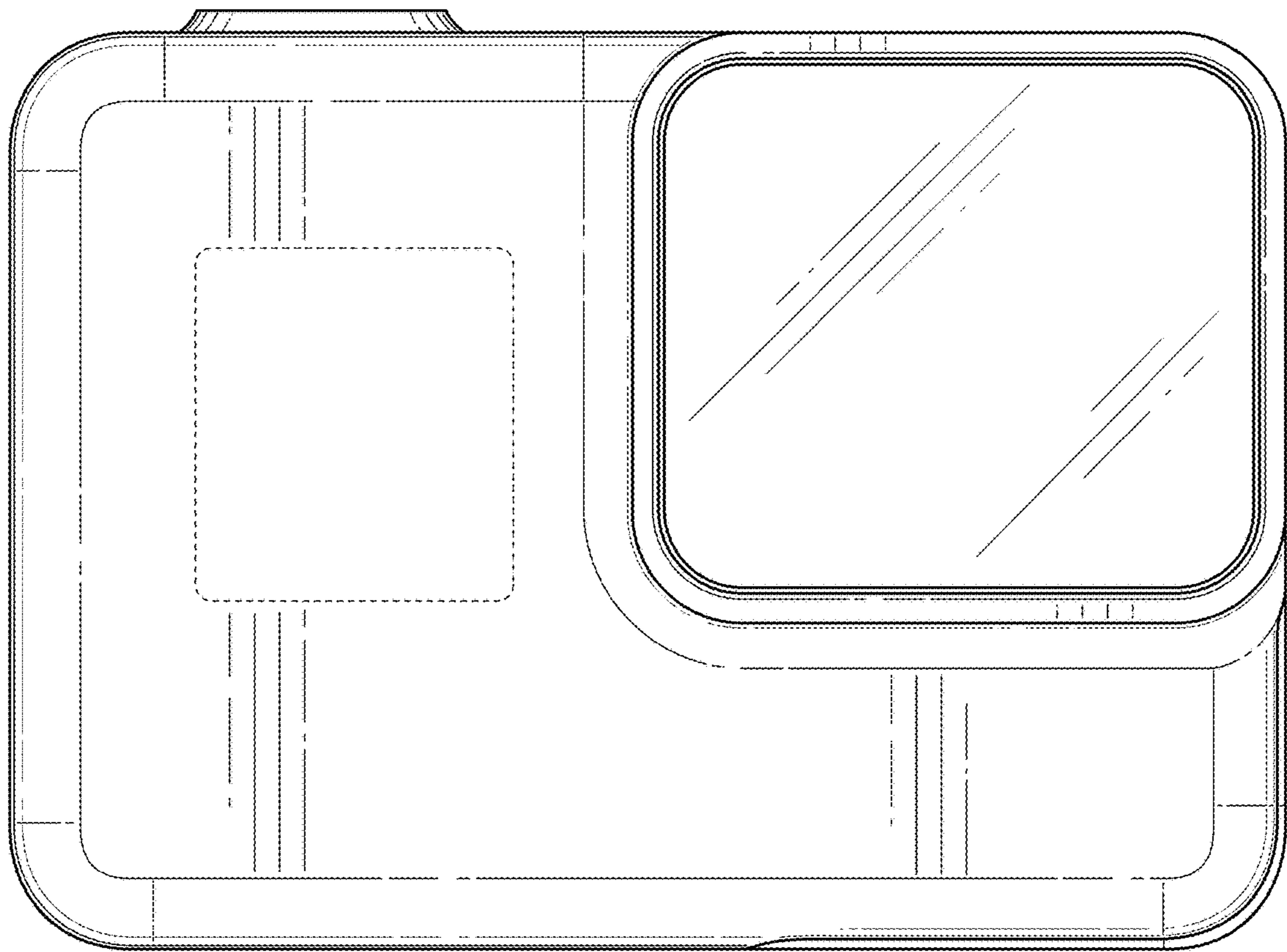


FIG. 5

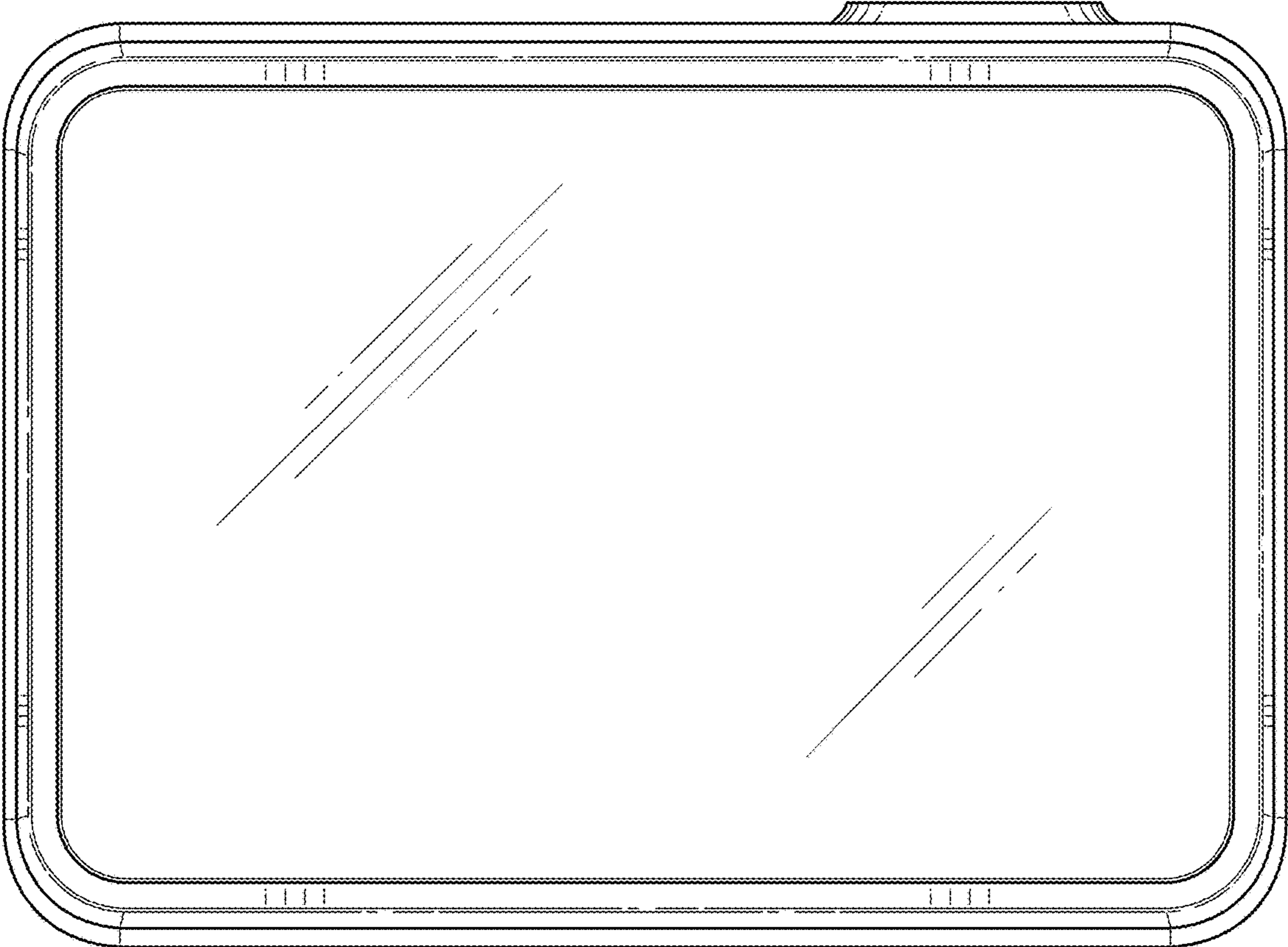


FIG. 6

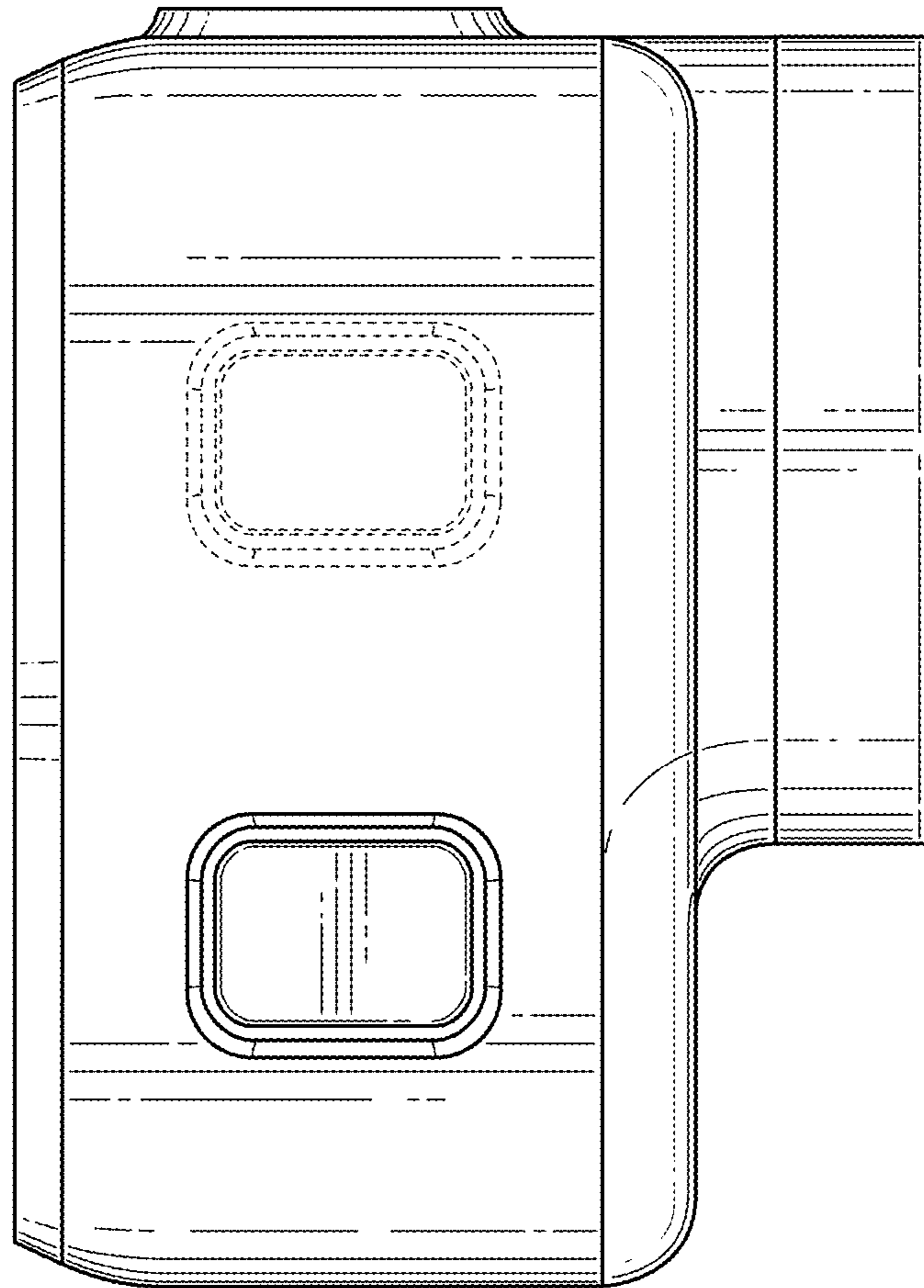


FIG. 7

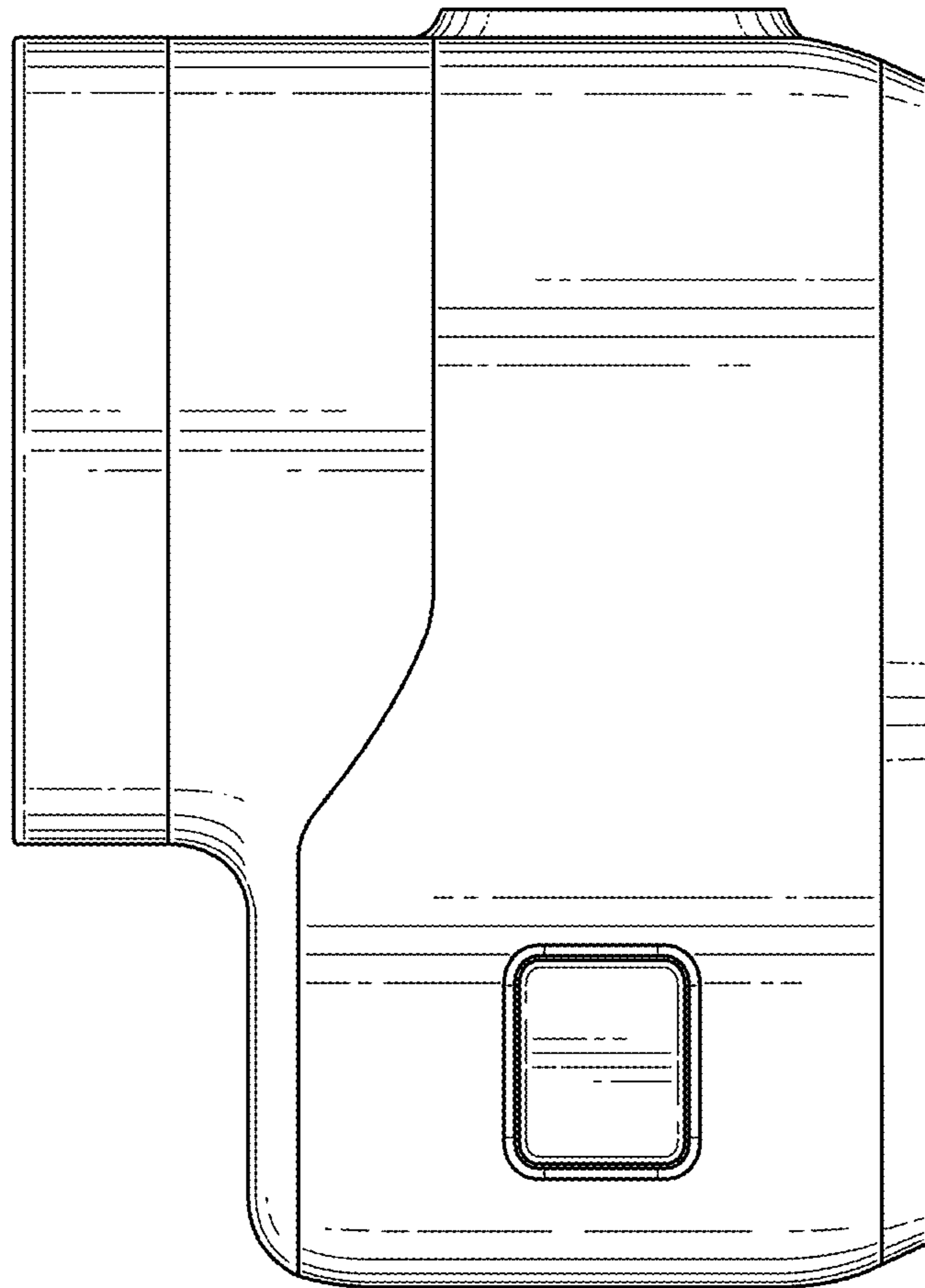


FIG. 8

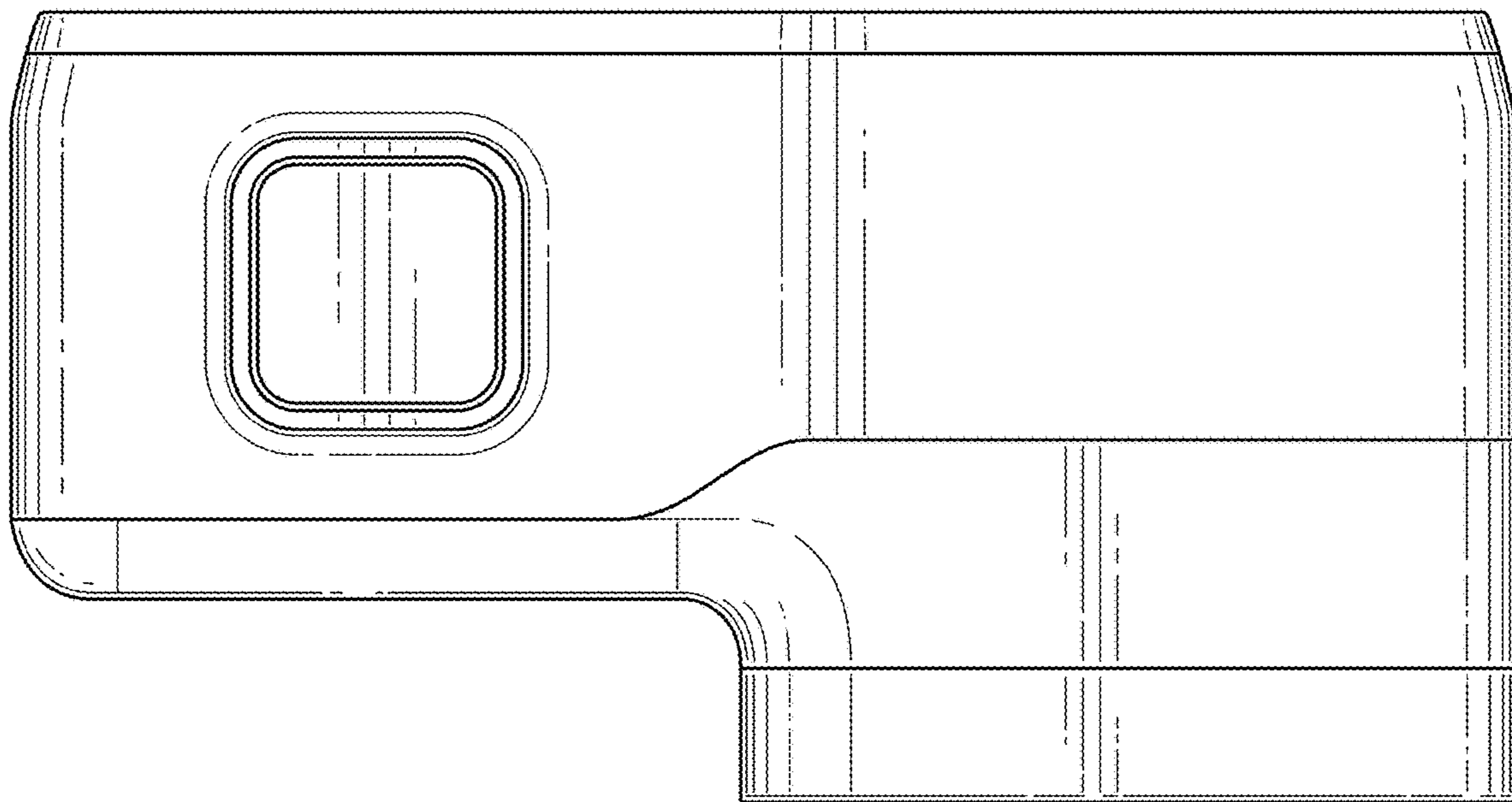


FIG. 9

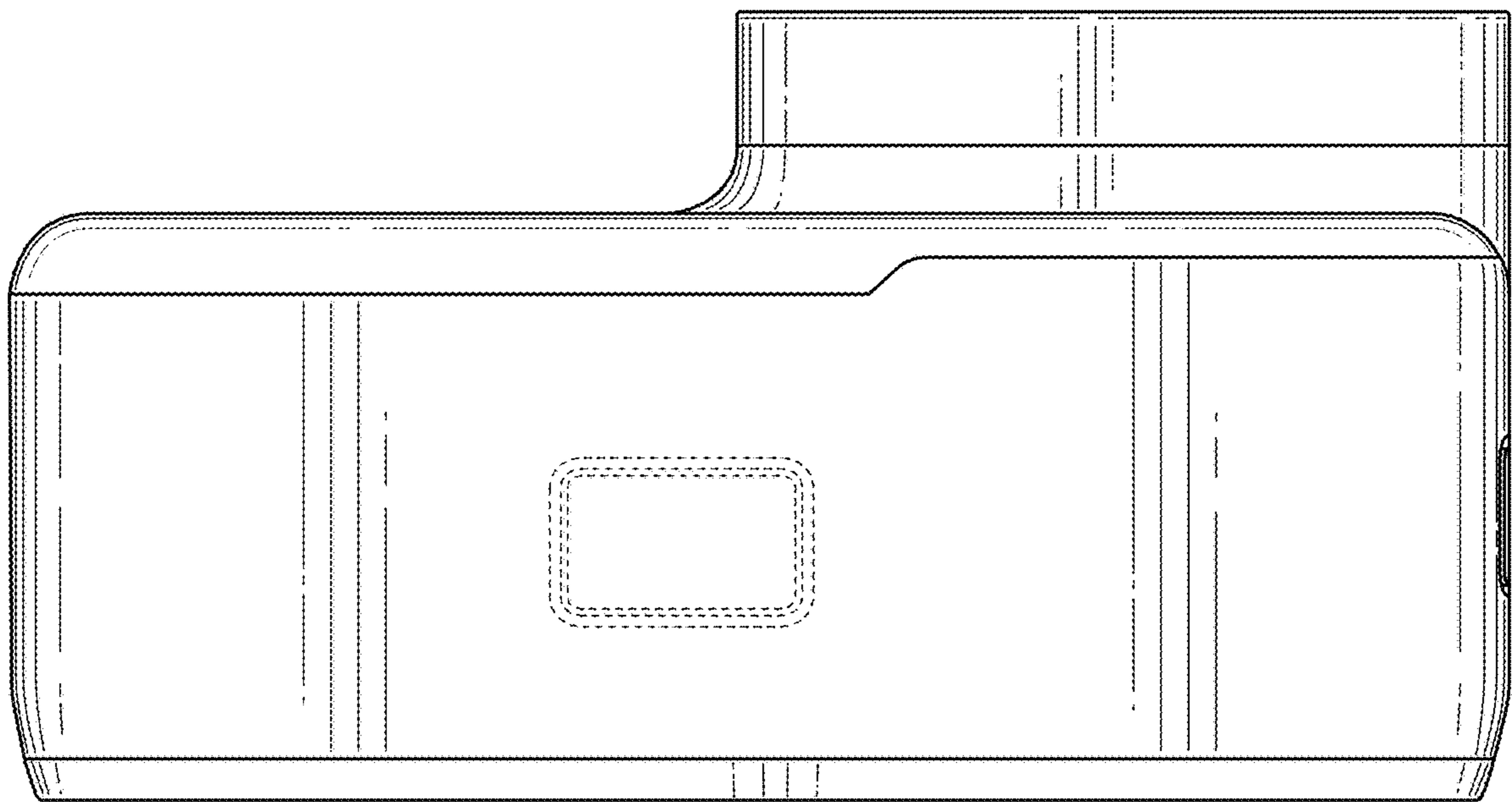


FIG. 10