



US00D805116S

(12) **United States Design Patent**  
**Fukuyama**

(10) **Patent No.:** **US D805,116 S**  
(45) **Date of Patent:** **\*\* Dec. 12, 2017**

(54) **CUTTING INSERT**

(71) Applicant: **SUMITOMO ELECTRIC**  
**HARDMETAL CORP.**, Itami-shi (JP)

(72) Inventor: **Tomoyuki Fukuyama**, Itami (JP)

(73) Assignee: **SUMITOMO ELECTRIC**  
**HARDMETAL CORP.**, Itami-shi (JP)

(\*\*) Term: **15 Years**

(21) Appl. No.: **29/546,887**

(22) Filed: **Nov. 27, 2015**

(30) **Foreign Application Priority Data**

May 29, 2015 (JP) ..... 2015-012058

(51) **LOC (10) Cl.** ..... **15-09**

(52) **U.S. Cl.**  
USPC ..... **D15/139**

(58) **Field of Classification Search**  
USPC ..... D8/20, 70; D15/133, 139  
CPC ..... B23B 27/14; B23B 27/22; B23B 27/045;  
B23B 27/141; B23B 27/143; B23B  
2200/321

See application file for complete search history.

(56) **References Cited**

**U.S. PATENT DOCUMENTS**

4,367,990 A \* 1/1983 Porat ..... B23B 27/143  
407/114  
4,667,713 A \* 5/1987 Wright ..... B23C 5/2265  
144/231  
4,856,942 A \* 8/1989 Bernadic ..... B23B 27/143  
407/114  
D404,744 S \* 1/1999 Bernadic ..... D15/139  
D404,745 S \* 1/1999 Bernadic ..... D15/139

(Continued)

**FOREIGN PATENT DOCUMENTS**

JP S54-42187 U 3/1979  
JP S61-58003 U 4/1986

(Continued)

**OTHER PUBLICATIONS**

Notice in Japanese Patent Application No. 2015-012058 dated Nov. 16, 2015.

*Primary Examiner* — Patricia Palasik

(74) *Attorney, Agent, or Firm* — Venable LLP; Michael A. Sartori; Miguel A. Lopez

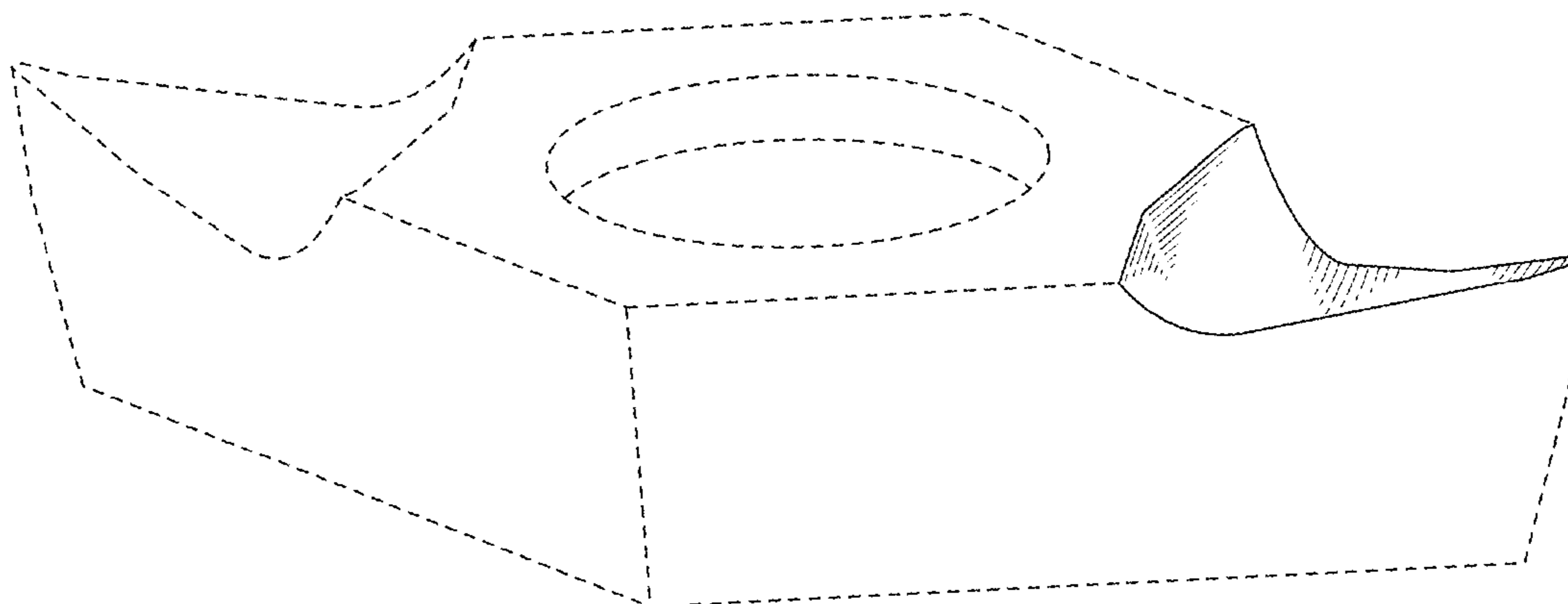
(57) **CLAIM**

The ornamental design for a cutting insert, as shown and described.

**DESCRIPTION**

FIG. 1 is a front view of a cutting insert showing my new design,  
FIG. 2 is a rear view thereof;  
FIG. 3 is a top view thereof;  
FIG. 4 is a bottom view thereof;  
FIG. 5 is a right side view thereof;  
FIG. 6 is a left side view thereof;  
FIG. 7 is a perspective view thereof;  
FIG. 8 is a cross sectional view taken along line 8-8 of FIG. 3;  
FIG. 9 is a cross sectional view taken along line 9-9 of FIG. 3;  
FIG. 10 is a cross sectional view taken along line 10-10 of FIG. 3;  
FIG. 11 is a cross sectional view taken along line 11-11 of FIG. 3;  
FIG. 12 is a cross sectional view taken along line 12-12 of FIG. 3; and,  
FIG. 13 is a cross sectional view taken along line 13-13 of FIG. 3.

(Continued)



The broken lines in the drawings depict unclaimed environmental subject matter.

**1 Claim, 6 Drawing Sheets**

(56)

**References Cited**

U.S. PATENT DOCUMENTS

D414,194 S *	9/1999	Patterson	.....	D15/139
D477,003 S *	7/2003	Muren	.....	D15/139
6,725,758 B2 *	4/2004	MacLennan	.....	B23D 61/04 83/839
7,713,006 B2 *	5/2010	MacLennan	.....	B23C 5/207 407/113
2002/0190105 A1 *	12/2002	Kanada	.....	B23B 27/145 228/122.1
2011/0299948 A1 *	12/2011	Edler	.....	B23B 27/145 407/114

FOREIGN PATENT DOCUMENTS

JP	S63-116202 U	7/1988
JP	2015-027718 A	2/2015

\* cited by examiner

FIG.1



FIG.2



FIG.3

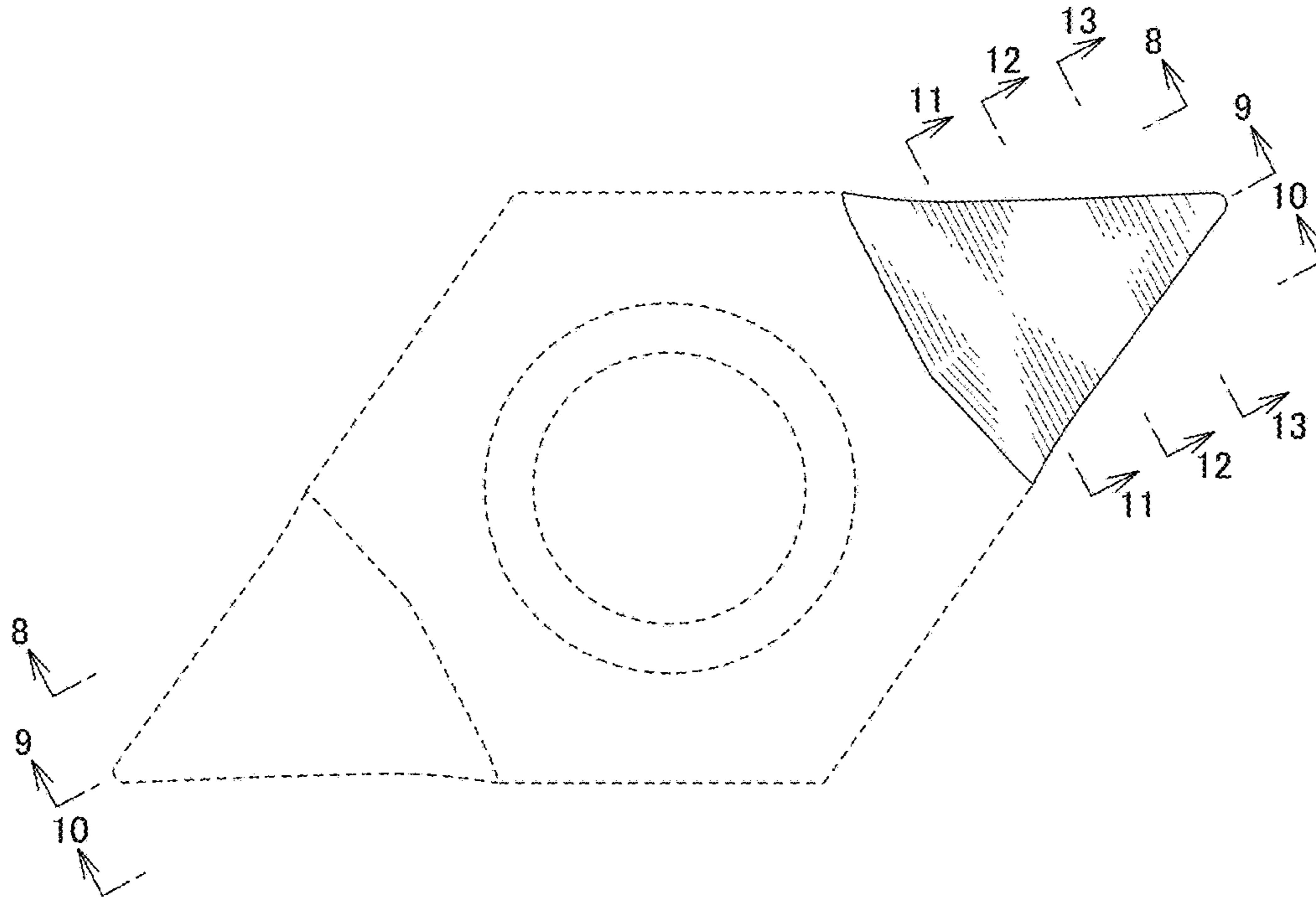


FIG.4

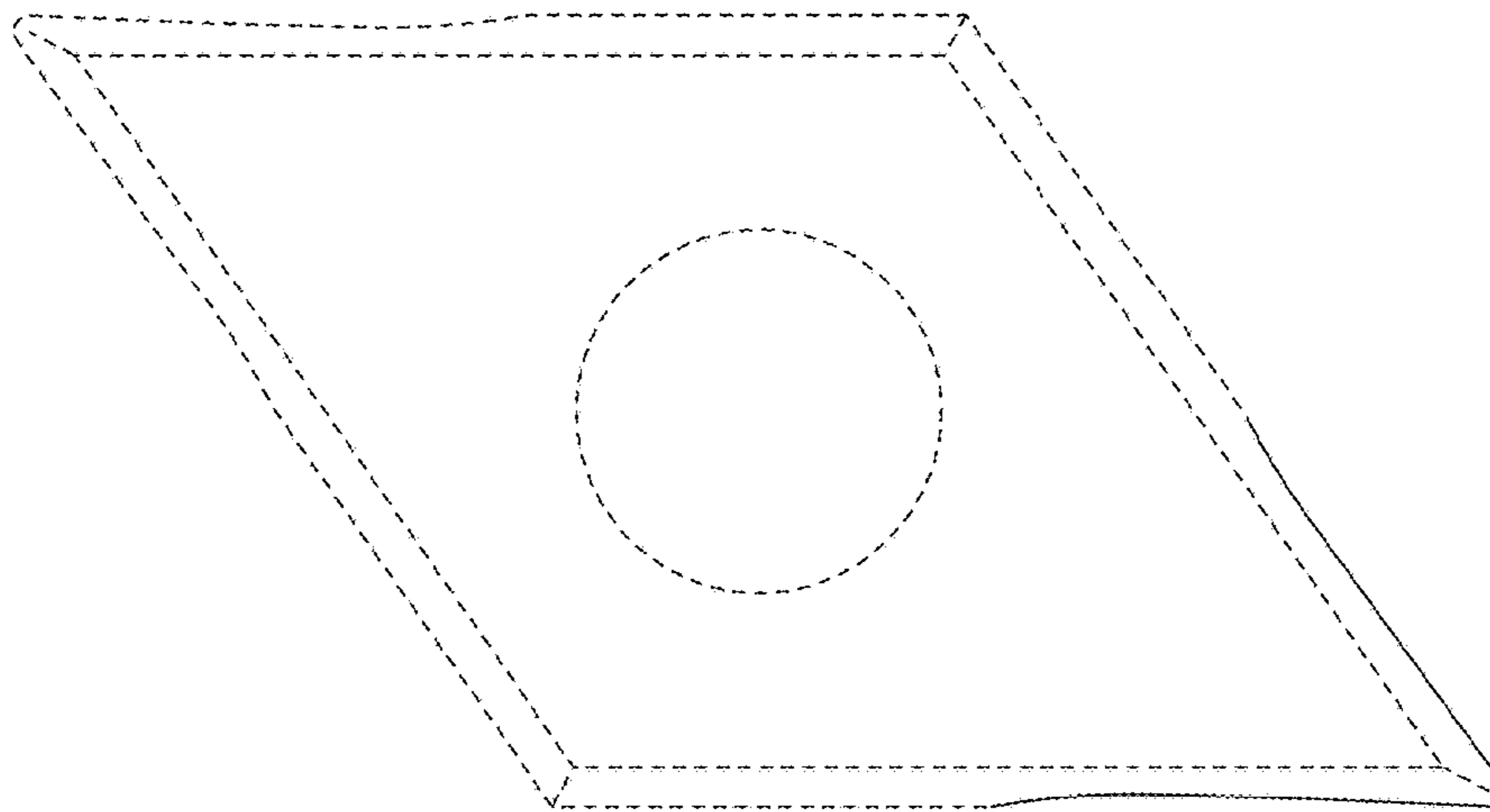


FIG.5

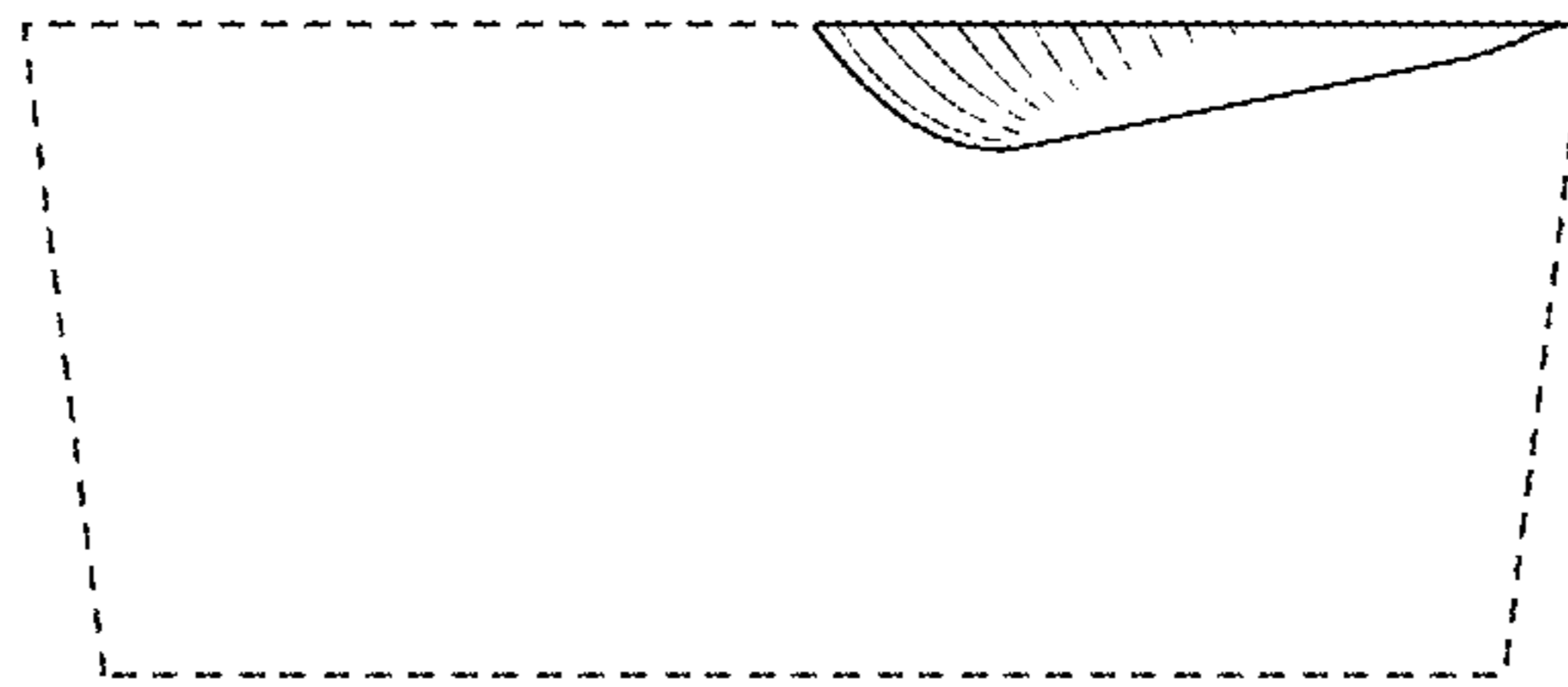


FIG.6

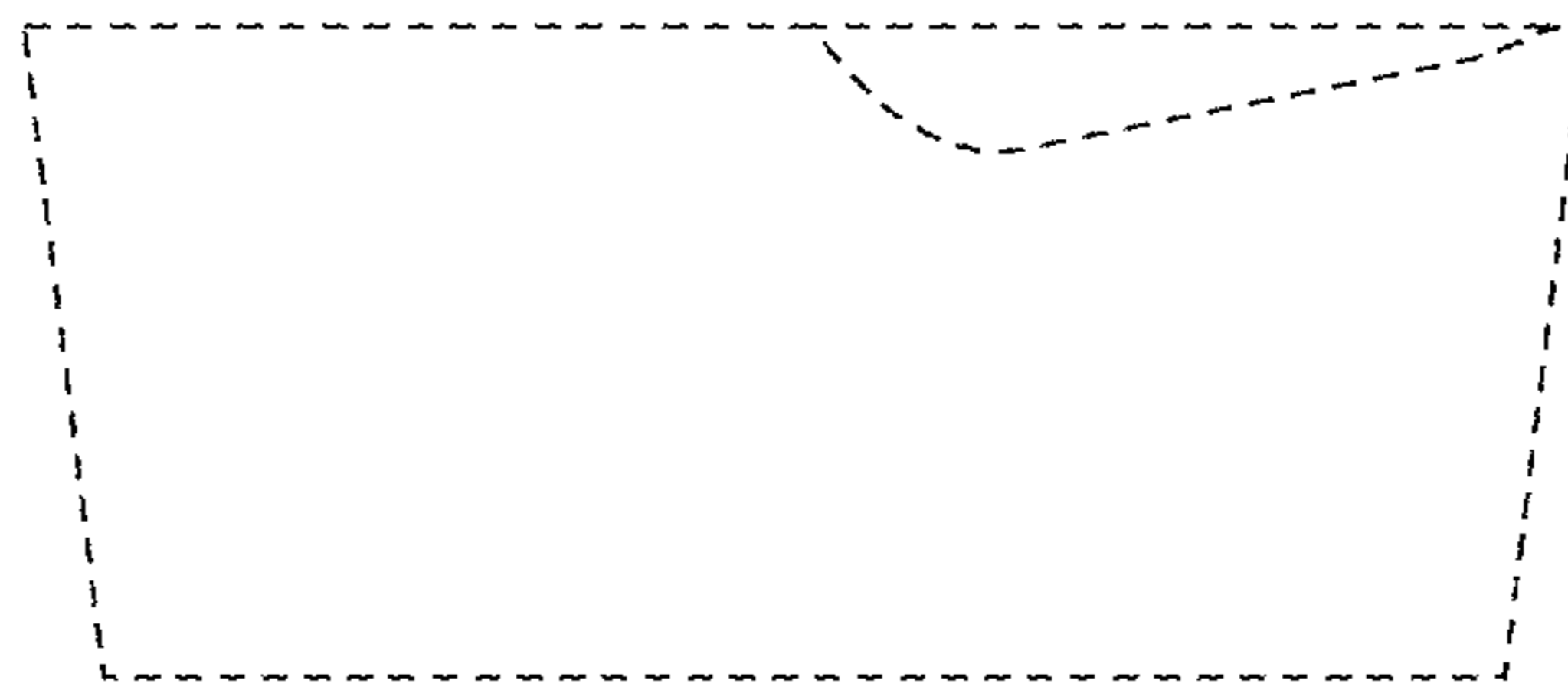


FIG.7

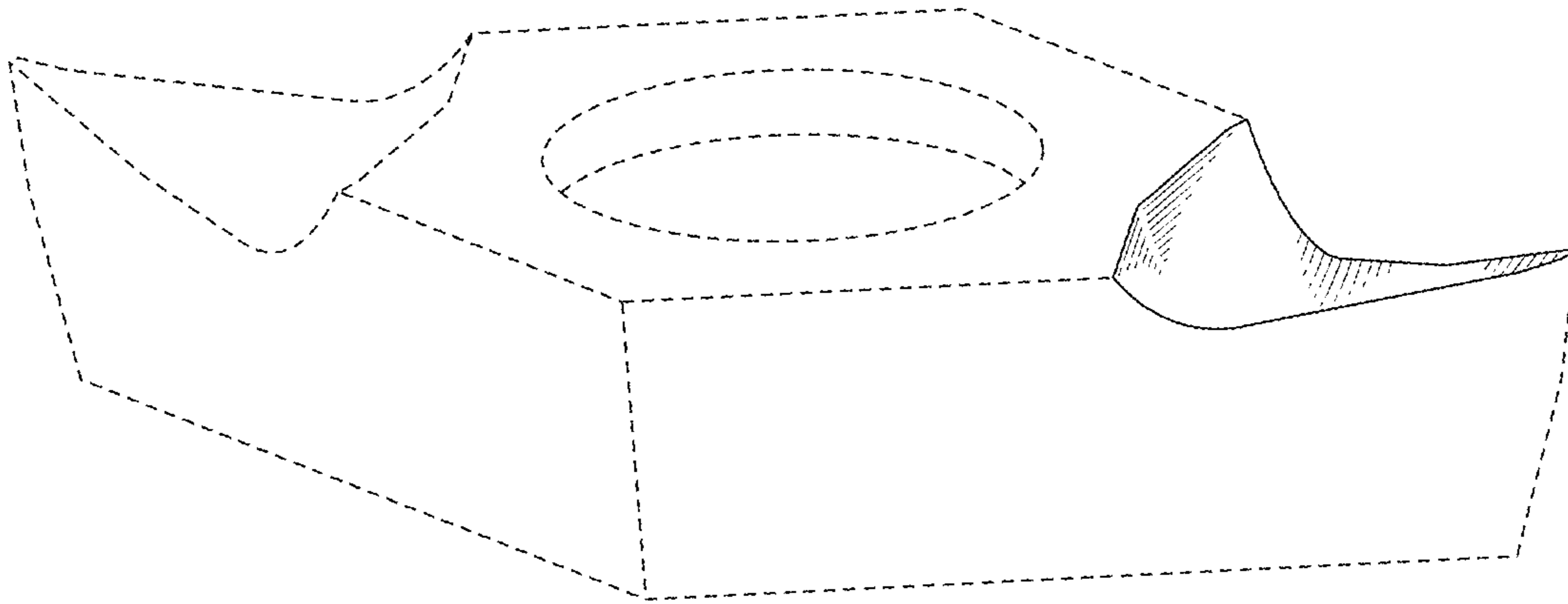


FIG.8

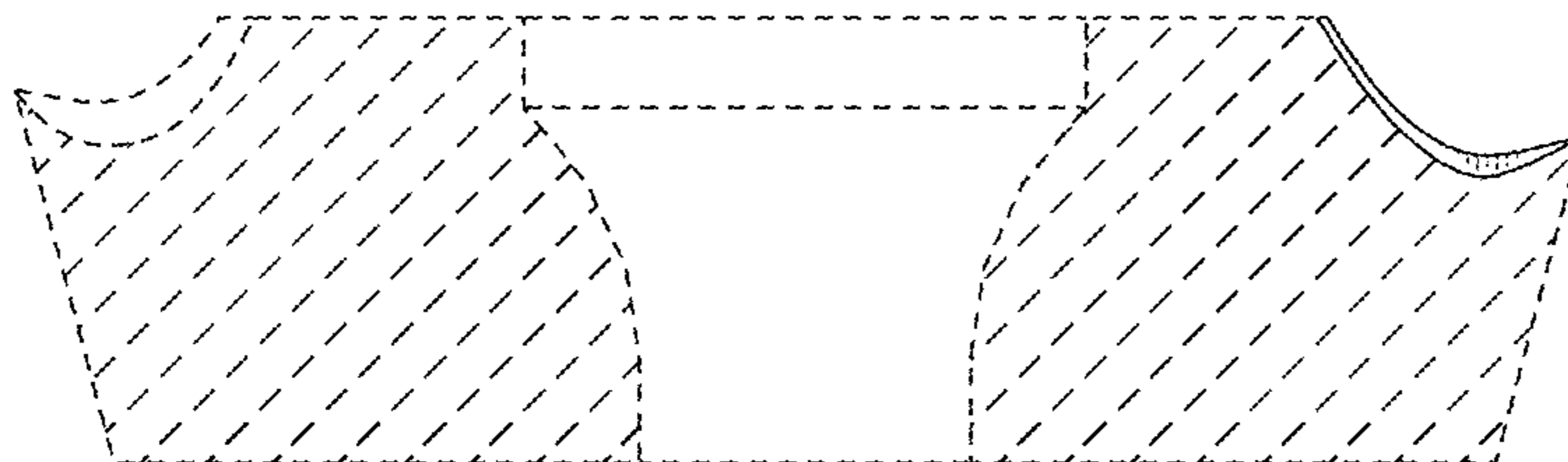


FIG.9

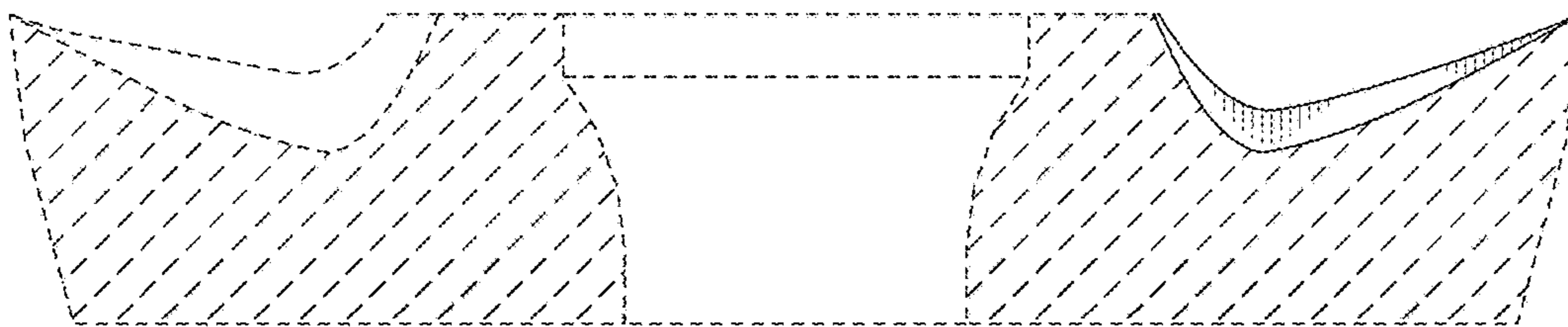


FIG.10

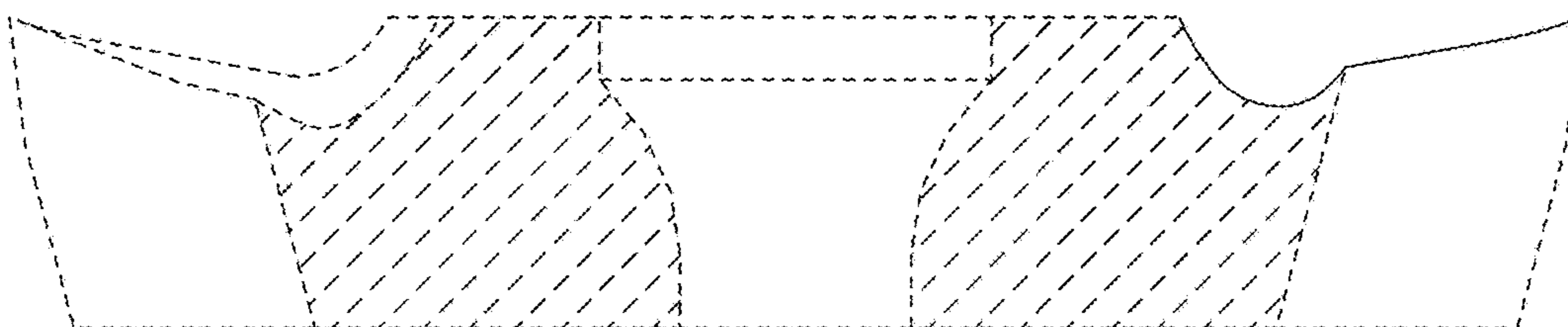


FIG.11

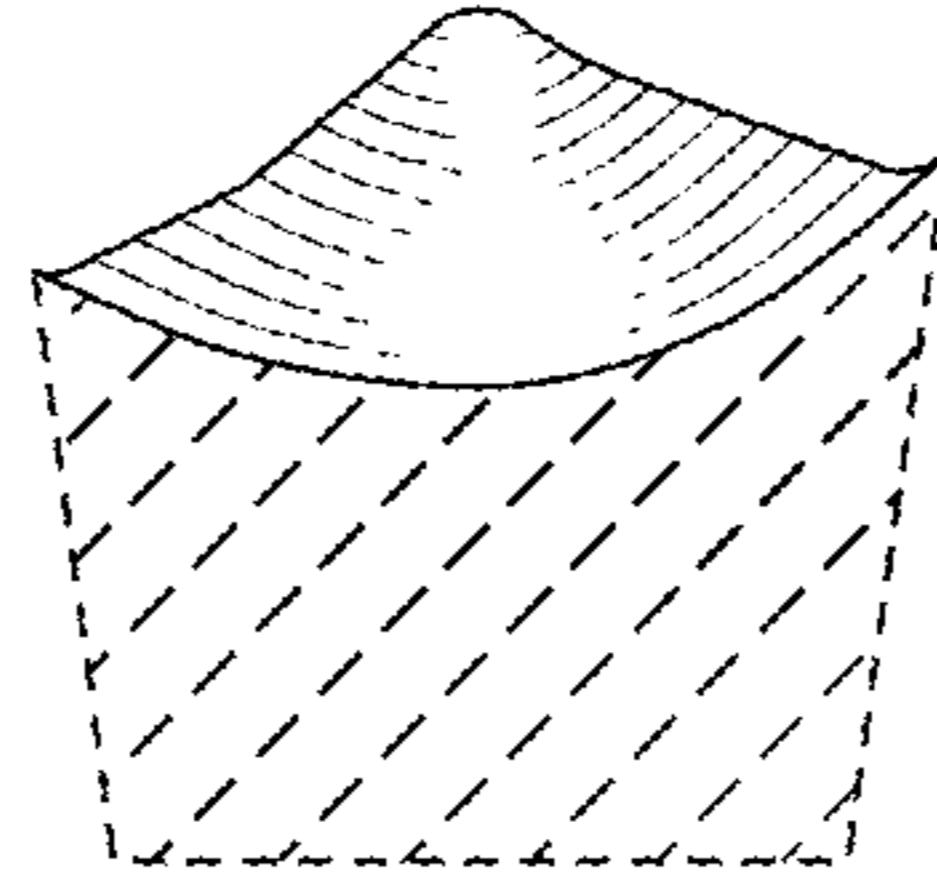


FIG.12

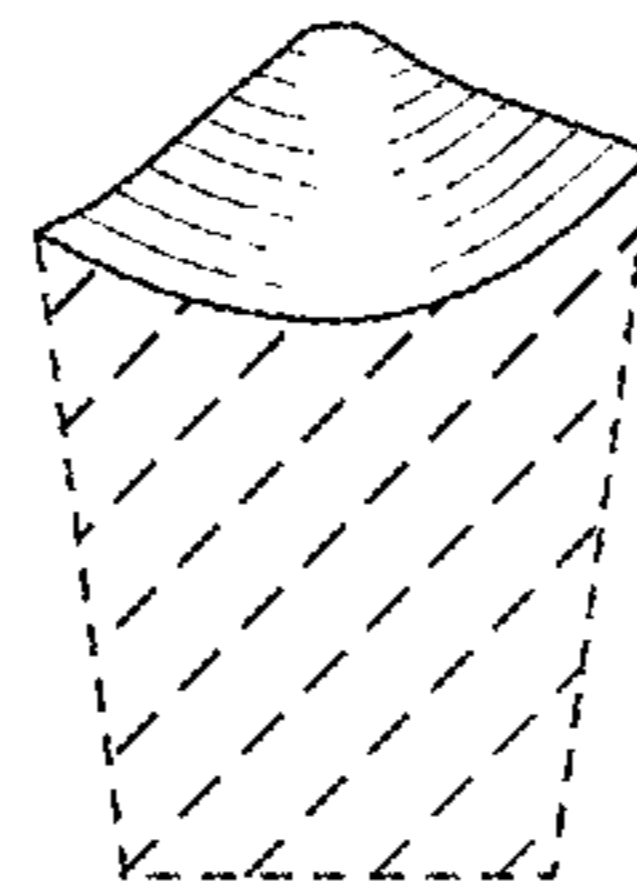


FIG.13

