



US00D805115S

(12) **United States Design Patent** (10) **Patent No.:** **US D805,115 S**
Williams et al. (45) **Date of Patent:** **** Dec. 12, 2017**

(54) **FLUID APPLICATOR WITH FLOW DIVERTER**

(71) Applicants: **Craig A Williams**, Maumee, OH (US);
Charles J. Barnhart, Toledo, OH (US)

(72) Inventors: **Craig A Williams**, Maumee, OH (US);
Charles J. Barnhart, Toledo, OH (US)

(73) Assignee: **Designetics**, Holland, OH (US)

(**) Term: **15 Years**

(21) Appl. No.: **29/562,925**

(22) Filed: **Apr. 29, 2016**

(51) **LOC (10) Cl.** **15-09**

(52) **U.S. Cl.**
USPC **D15/138; D23/213**

(58) **Field of Classification Search**
USPC D15/138-143, 199; D23/213; D9/723,
D9/724, 725, 434, 435, 499
CPC B05C 1/00; B05C 1/06; B05C 5/0254;
B05C 17/00; B05C 17/002; B05C 1/0808;
B05C 11/02; B05C 11/023; B05C
11/1002; B05C 11/1034; B05C 13/00;
B05C 13/02; B05C 17/00553; B05C
17/00566; B05C 17/00576; B05C
17/00583; B05C 17/00596; B05C 17/01;
B05C 17/0116; B05C 17/0308; B05C
17/0341; B05C 17/0357; B05C 17/12;
B05C 1/02; B05C 1/027; B05C 1/04;
B05C 3/00; B05C 5/0212; B05C 5/025;
B05C 9/08

See application file for complete search history.

(56) **References Cited**

U.S. PATENT DOCUMENTS

4,030,341 A * 6/1977 Sullivan G01N 1/2813
73/61.54
5,193,928 A * 3/1993 Balzer B05C 17/002
222/83

D688,953 S * 9/2013 Korper D28/7
D745,583 S * 12/2015 Arikan D15/138
D748,223 S * 1/2016 Williams D23/213
D755,866 S * 5/2016 Spraw D15/138
D758,531 S * 6/2016 Williams D23/213
D762,752 S * 8/2016 Mortimer D15/138
D772,314 S * 11/2016 Williams D15/138
D781,940 S * 3/2017 Ooba D15/138

* cited by examiner

Primary Examiner — Patricia Palasik

(74) *Attorney, Agent, or Firm* — Donald K. Wedding

(57) **CLAIM**

The ornamental design for a fluid applicator with flow diverter, as shown and described.

DESCRIPTION

FIG. 1 is a perspective view of a fluid applicator with flow diverter

FIG. 2 is a top view thereof; and,

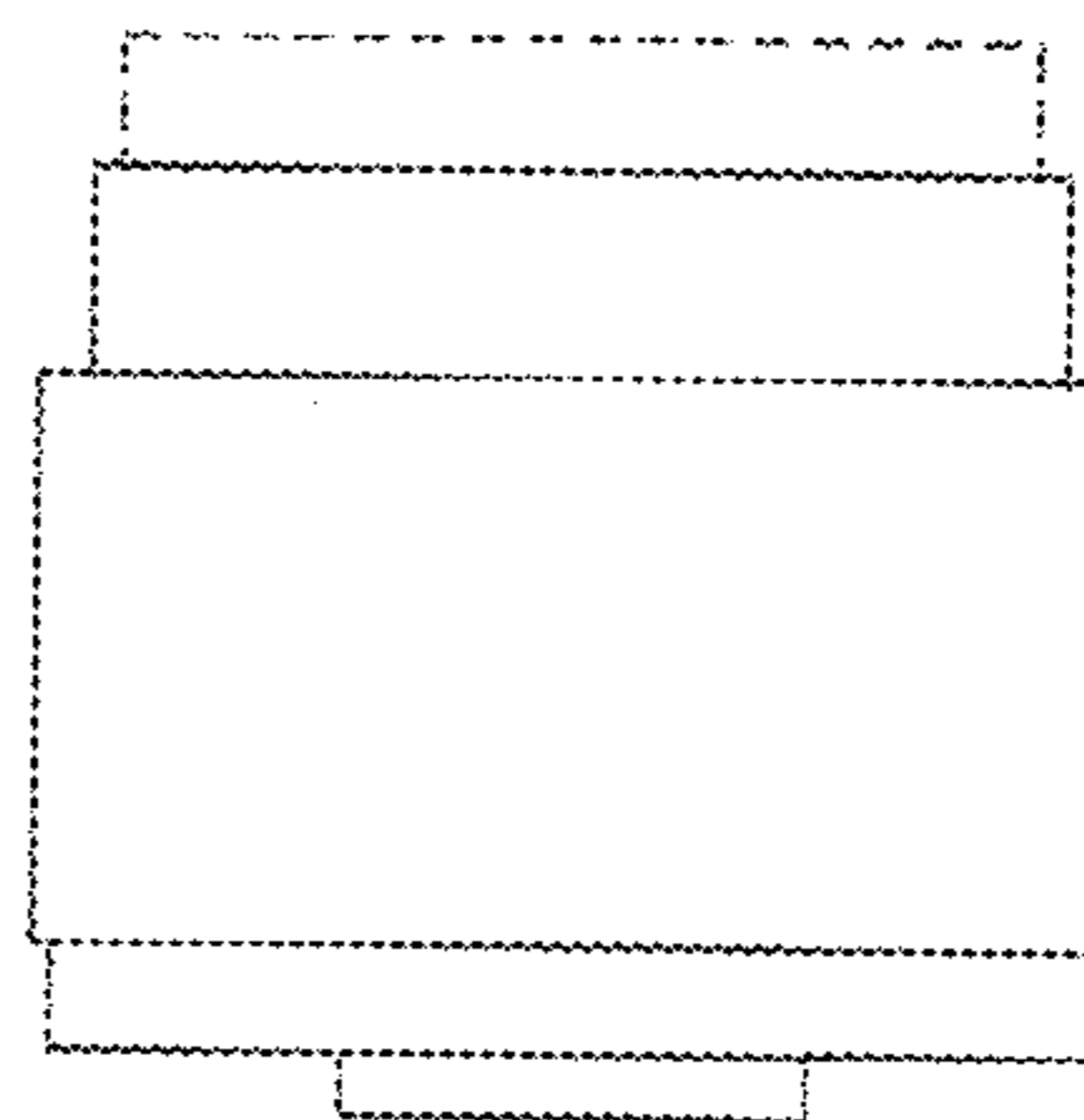
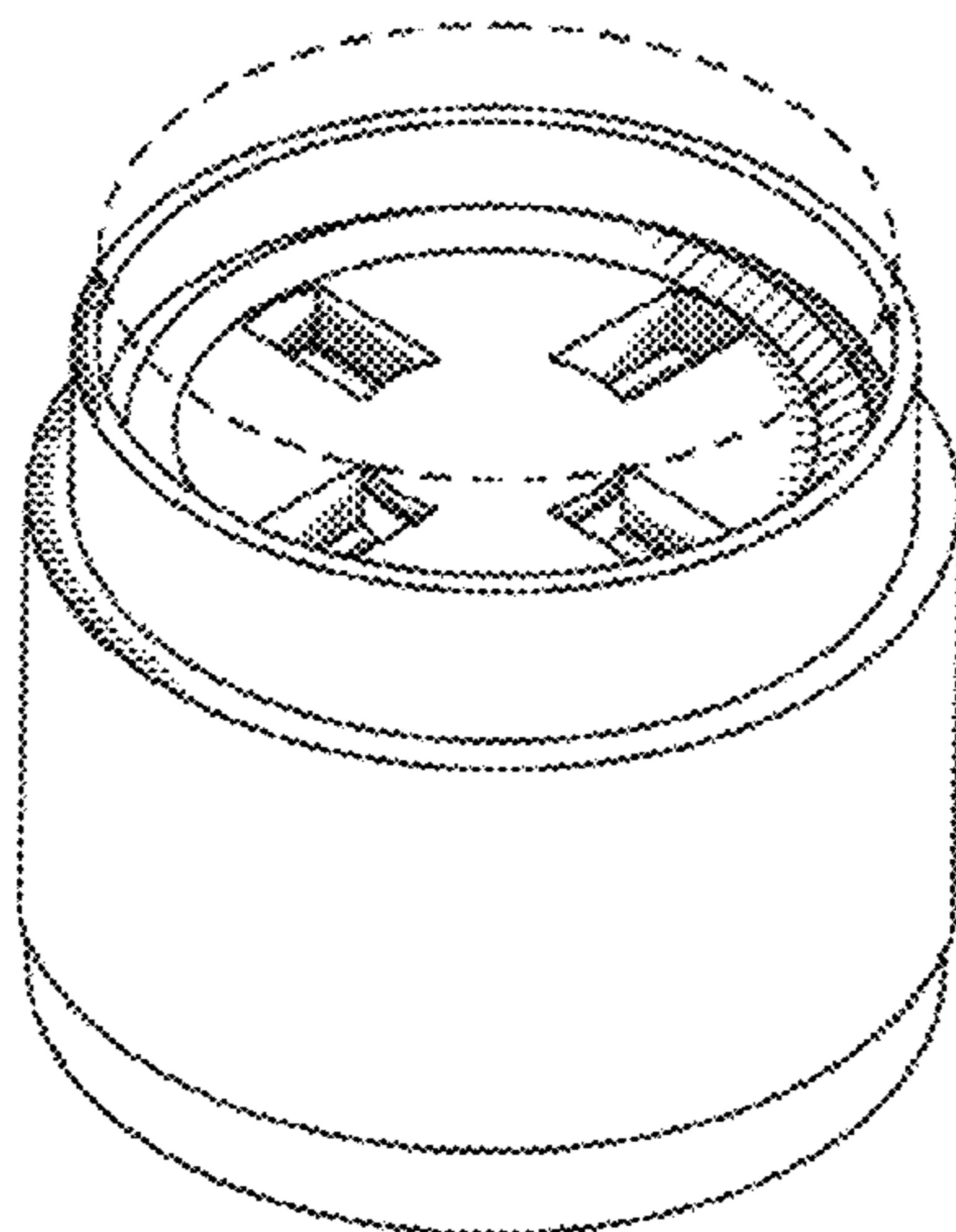
FIG. 3 is a side elevation view thereof; all side elevation views being identical to the side elevation view.

The applicator is open at the distal end straight through up to the four separate fluid diverter passageways at the proximal end.

The broken lines in the drawings represent environmental structure only and form no part of the claimed design.

The fluid applicator with flow diverter is used to change the flow of a fluid through a fluid applicator with four separate fluid diverter passageways so as to uniformly saturate the media shown in broken lines.

1 Claim, 2 Drawing Sheets



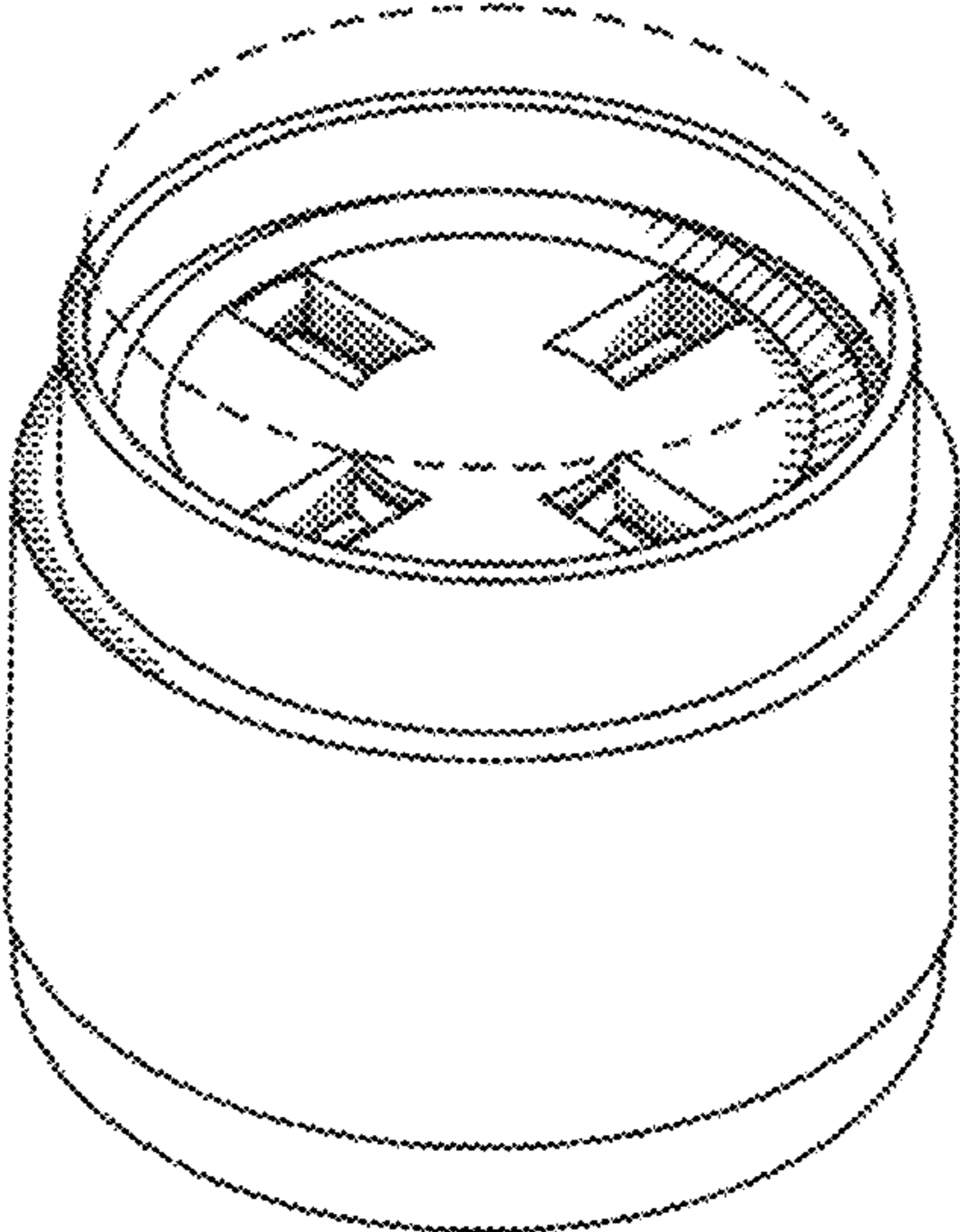


FIG. 1

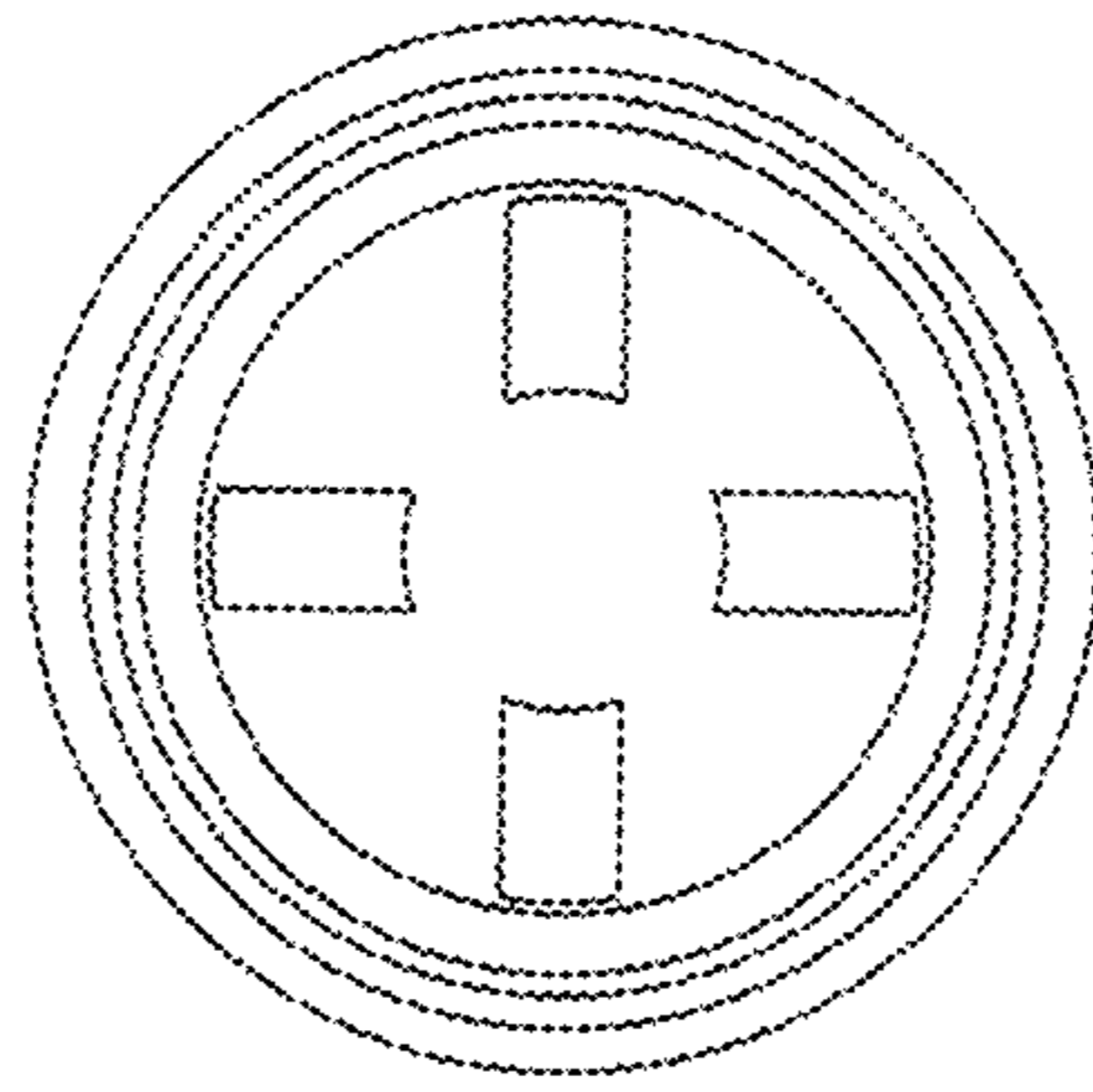


FIG. 2

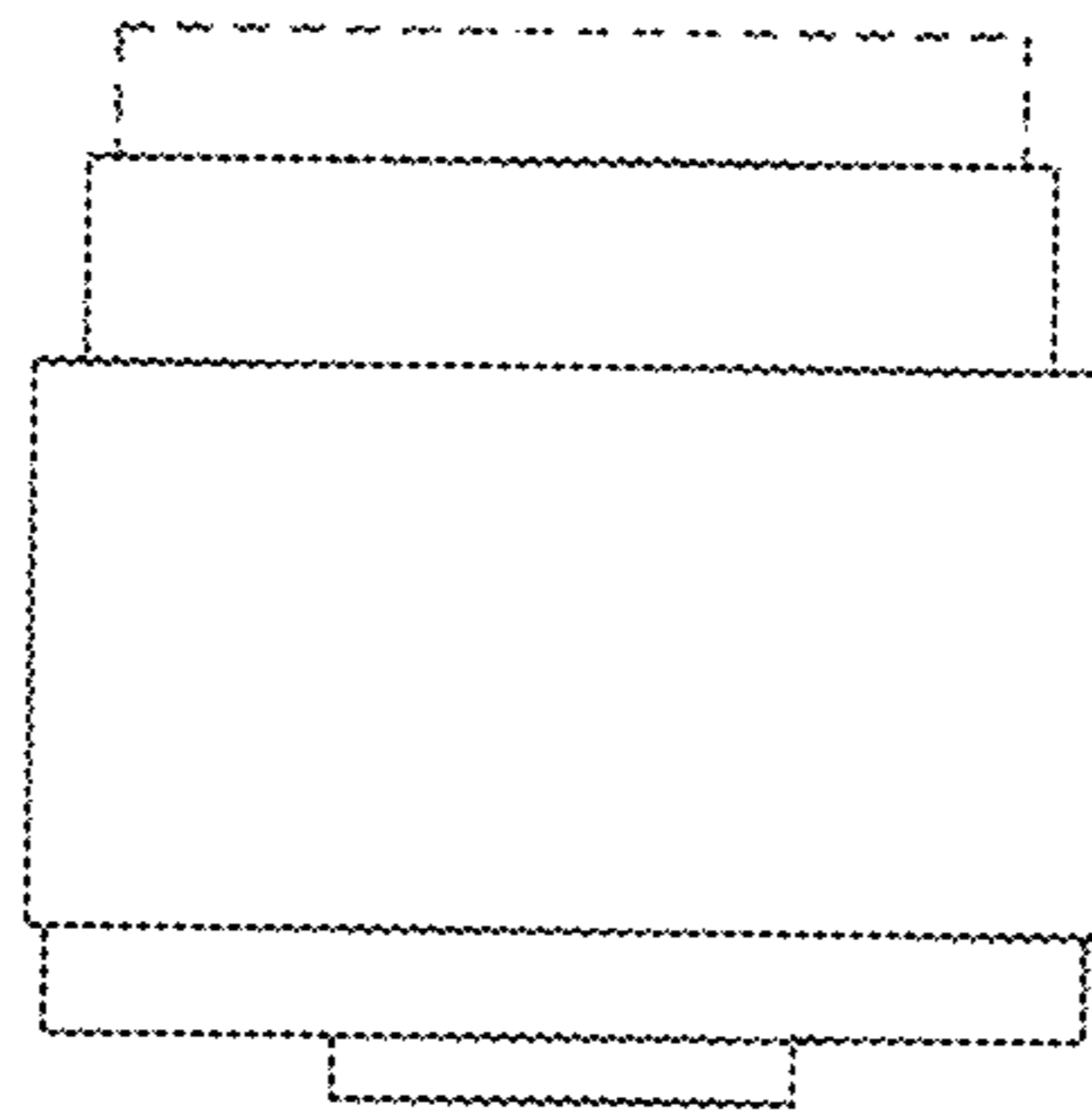


FIG. 3