



US00D805114S

(12) **United States Design Patent** (10) **Patent No.:** **US D805,114 S**
Jones (45) **Date of Patent:** **** Dec. 12, 2017**

(54) **TRAVELING ROTARY VALVE**
(71) Applicant: **Roy Jones**, Montgomery, TX (US)
(72) Inventor: **Roy Jones**, Montgomery, TX (US)
(**) Term: **15 Years**
(21) Appl. No.: **29/552,768**
(22) Filed: **Jan. 26, 2016**
(51) **LOC (10) Cl.** **15-09**
(52) **U.S. Cl.**
USPC **D15/138**
(58) **Field of Classification Search**
USPC D15/138, 139; D23/233
CPC B01D 2259/40005; C01B 13/0259; F16K
3/10; F16K 11/074; Y02P 20/149; Y10T
137/88102
See application file for complete search history.

(56) **References Cited**

U.S. PATENT DOCUMENTS

2,049,166 A * 7/1936 Maire F04B 53/14
277/336
4,848,454 A * 7/1989 Spears E21B 31/107
166/108
5,356,114 A * 10/1994 Havard F04B 53/122
251/176
5,713,391 A * 2/1998 Ko F16K 11/074
137/625.4
6,247,496 B1 * 6/2001 Ko F16K 3/0227
137/625.31
6,626,203 B1 * 9/2003 Schneider F16K 11/074
137/270
6,662,826 B1 * 12/2003 Kokawa F16K 11/074
137/597
6,746,221 B1 * 6/2004 Havard F04B 47/02
166/369
6,799,648 B2 * 10/2004 Brandenburg B22D 19/06
175/393

7,281,594 B2 * 10/2007 Hadin E21B 10/36
175/320
7,296,641 B2 * 11/2007 Hadin E21B 10/56
175/418
D788,268 S * 5/2017 Gamache D23/233
2007/0028971 A1 * 2/2007 Wagner B01D 53/0446
137/625.15
2008/0105842 A1 * 5/2008 Webster F16K 11/074
251/180
2008/0163940 A1 * 7/2008 Chen F16K 11/074
137/597
2009/0020171 A1 * 1/2009 Benstead F16K 3/08
137/540
2009/0107332 A1 * 4/2009 Wagner C01B 13/0259
95/100
2010/0193721 A1 * 8/2010 Melle F16K 11/074
251/213
2010/0224813 A1 * 9/2010 Chung F16K 11/074
251/286
2011/0303304 A1 * 12/2011 Tower F16K 3/08
137/269
2013/0284965 A1 * 10/2013 Sun F16K 11/074
251/368
2014/0216254 A1 * 8/2014 Tammera B01D 53/0462
95/114

(Continued)

Primary Examiner — Patricia Palasik
(74) *Attorney, Agent, or Firm* — D’Ambrosio & Menon,
PLLC; Usha Menon

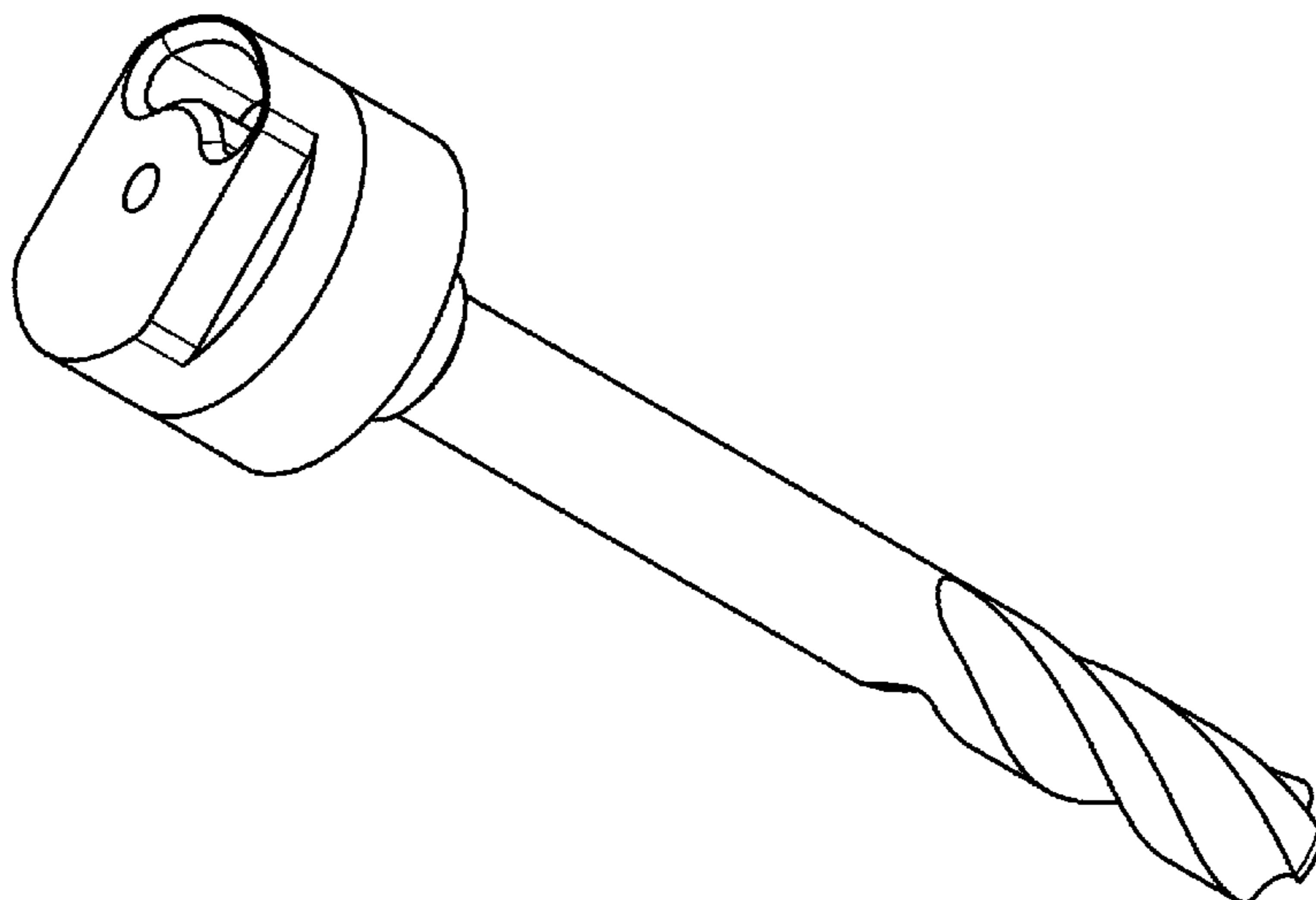
(57) **CLAIM**

The ornamental design for a traveling, rotary valve, as shown and described.

DESCRIPTION

FIG. 1 is a bottom perspective view of a traveling, rotary valve, showing my new design;
FIG. 2 is a top perspective view thereof;
FIG. 3 is front perspective view thereof; and,
FIG. 4 is a right side perspective view thereof.

1 Claim, 4 Drawing Sheets



(56)

References Cited

U.S. PATENT DOCUMENTS

2014/0345729 A1* 11/2014 Chang F16K 11/076
137/625.15
2016/0161007 A1* 6/2016 Jurczyk F16K 3/08
251/300
2016/0305409 A1* 10/2016 Ford F16K 15/183
2017/0114909 A1* 4/2017 Chang F16K 11/074
2017/0211709 A1* 7/2017 Xie F16K 25/005

* cited by examiner

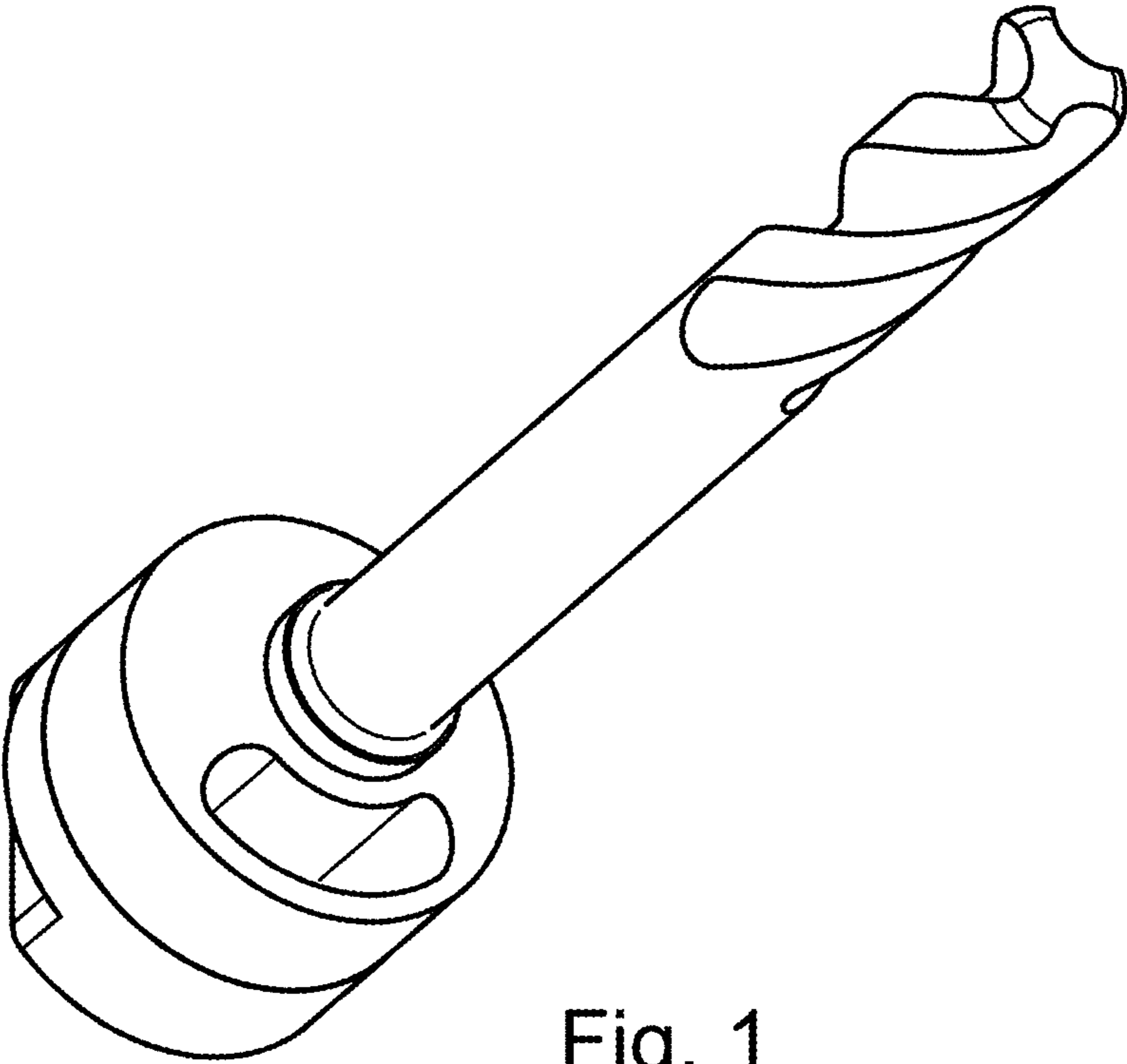


Fig. 1

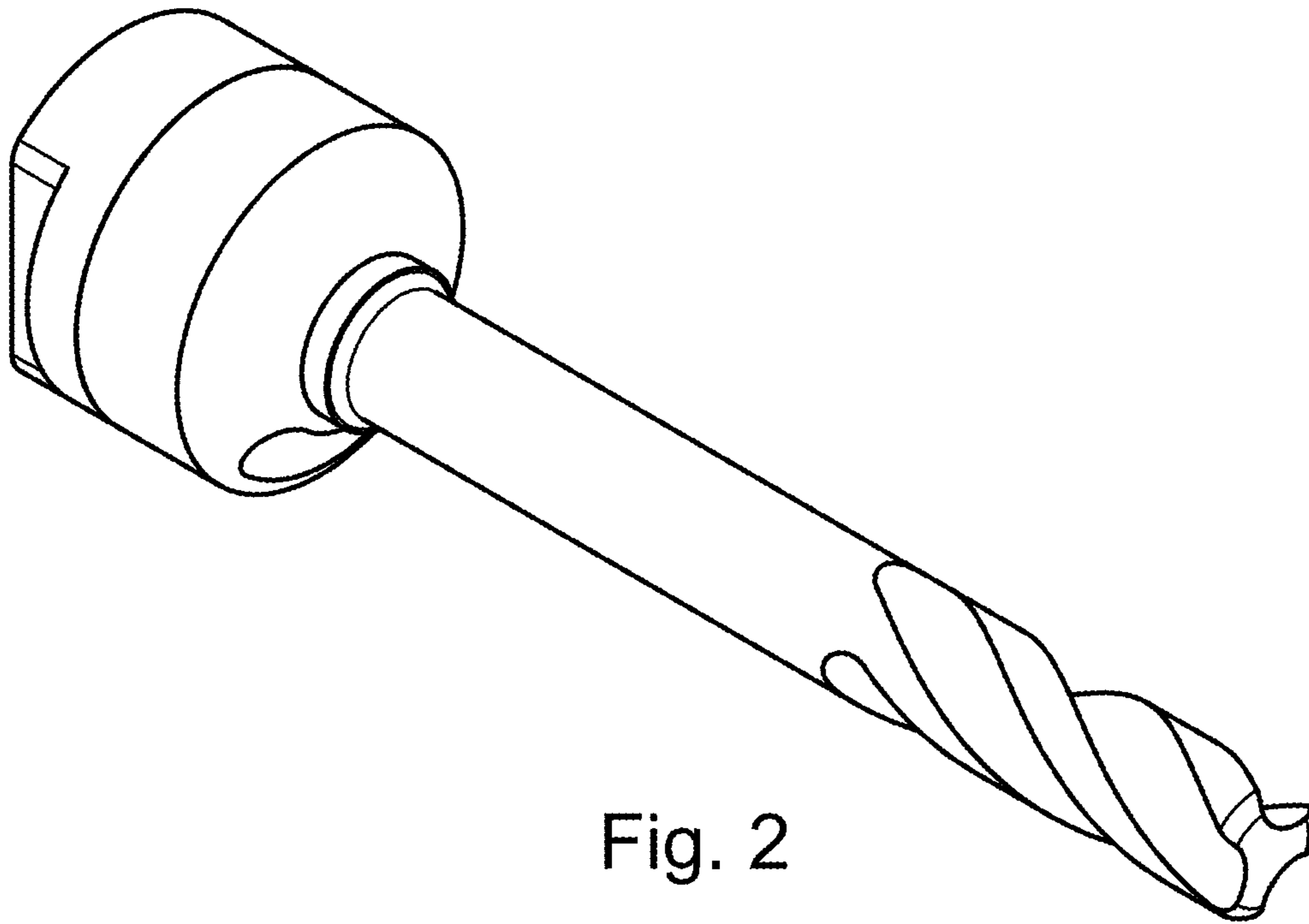


Fig. 2

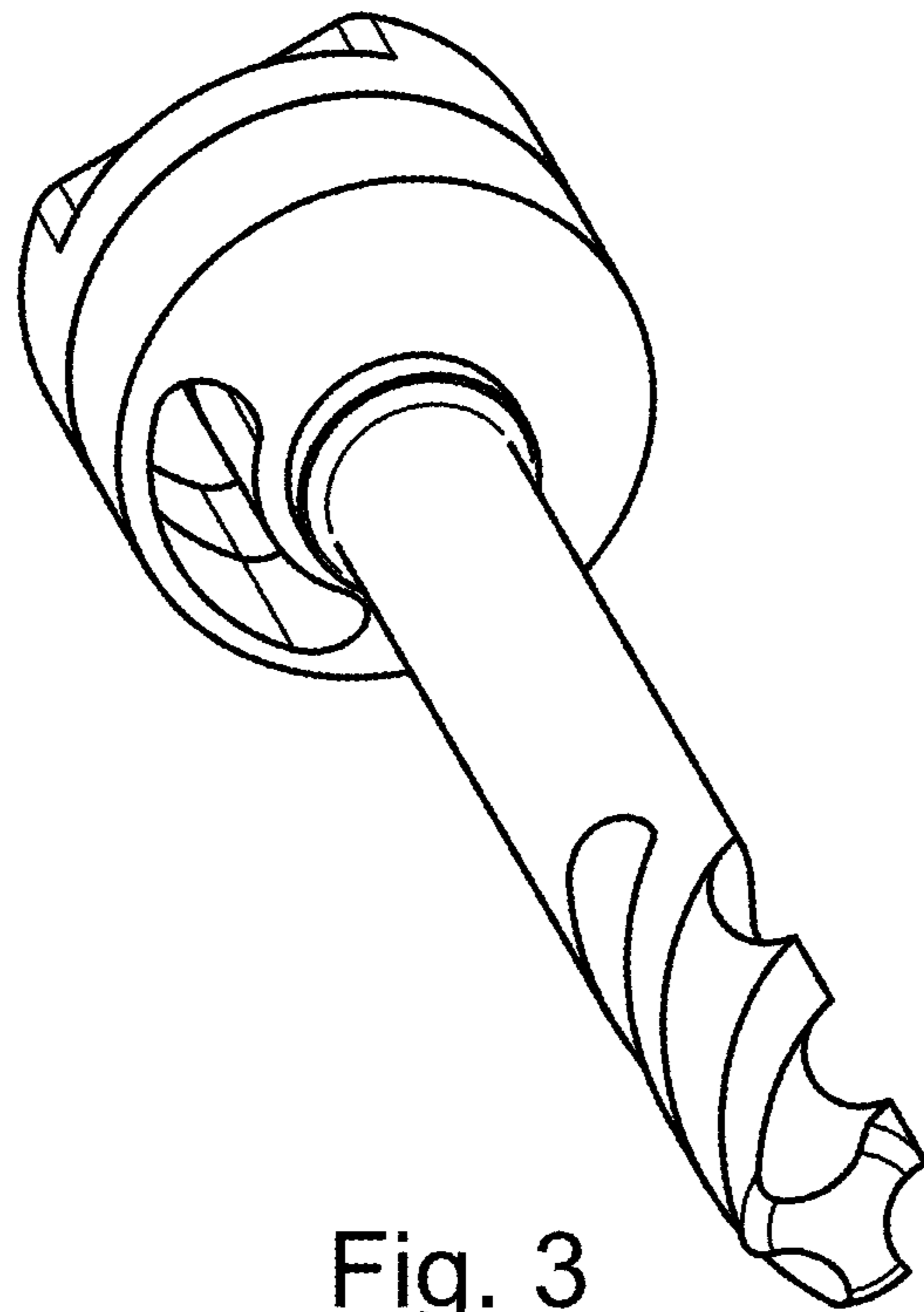


Fig. 3

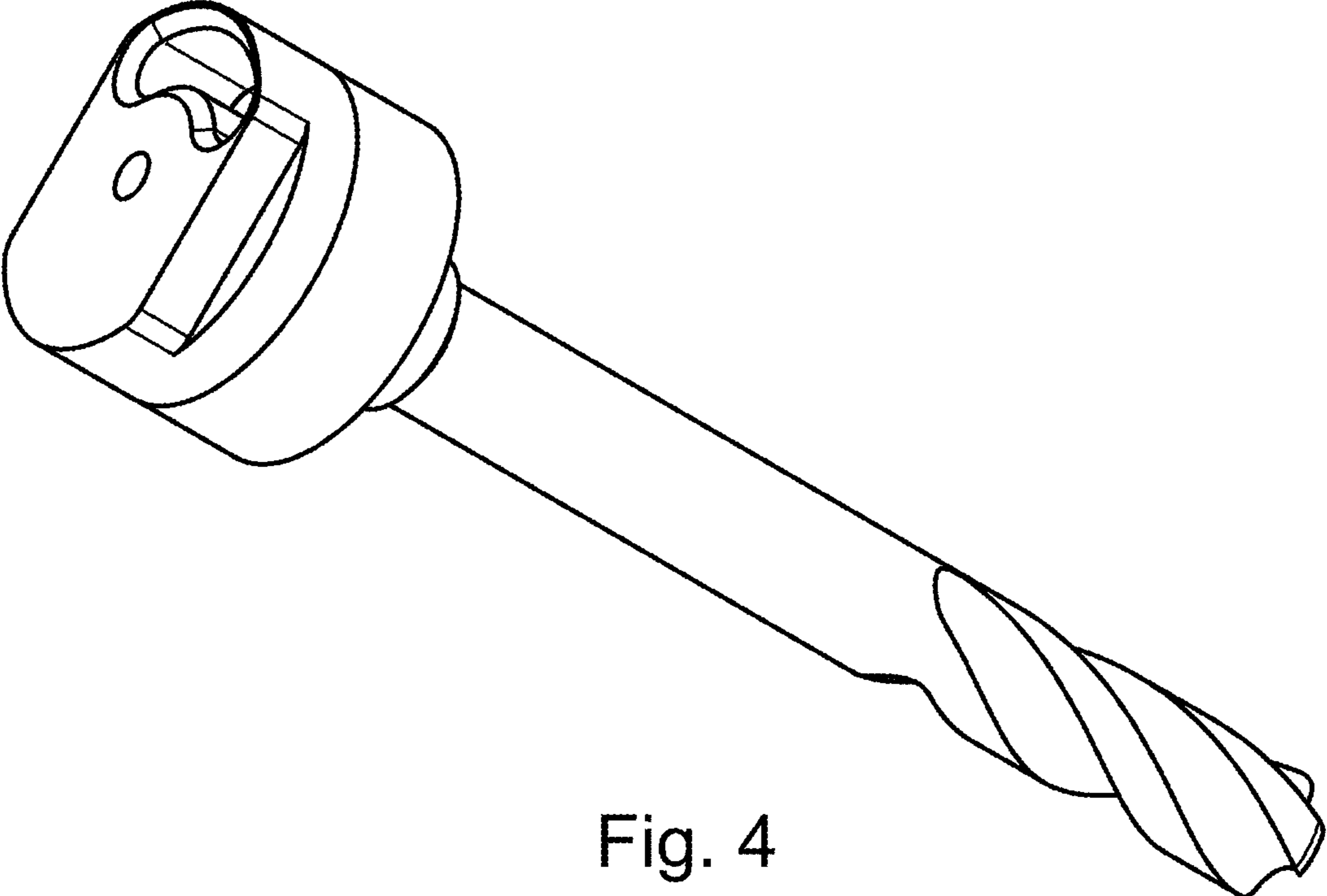


Fig. 4