



US00D805113S

(12) **United States Design Patent** (10) **Patent No.:** **US D805,113 S**  
**Jacobsthal et al.** (45) **Date of Patent:** **\*\* Dec. 12, 2017**

(54) **WORK VEHICLE CABIN**  
(71) Applicant: **CNH Industrial America LLC**, New Holland, PA (US)  
(72) Inventors: **Eric M. Jacobsthal**, Elmhurst, IL (US); **Douglas Montgomery**, Downers Grove, IL (US); **Russell Meyer**, Crystal Lake, IL (US); **Dwayne Jackson**, Auburn Hills, MI (US); **William Venth**, Chicago, IL (US)  
(73) Assignee: **CNH Industrial America LLC**, New Holland, PA (US)

D674,821 S \* 1/2013 Budde ..... D15/30  
D681,691 S \* 5/2013 Takagi ..... D15/30  
D686,643 S \* 7/2013 Kinoshita ..... D15/30  
D705,276 S \* 5/2014 Furuki ..... D15/30  
D714,837 S \* 10/2014 Jacobsthal ..... D15/30  
D720,370 S \* 12/2014 Carter ..... D15/30  
D721,742 S \* 1/2015 Lee ..... D15/30  
D734,369 S \* 7/2015 Miller ..... D15/30  
D748,156 S \* 1/2016 Koponen ..... D15/30  
D749,148 S \* 2/2016 Darekar ..... D15/30  
D754,213 S \* 4/2016 Okuyama ..... D15/30  
D766,337 S \* 9/2016 Okuyama ..... D15/30  
D766,993 S \* 9/2016 Jacobsthal ..... D15/30  
D774,111 S \* 12/2016 Underhill ..... D15/30  
D775,244 S \* 12/2016 Hart ..... D15/30  
D780,231 S \* 2/2017 Saari ..... D15/30

(Continued)

(\*\*) Term: **15 Years**

*Primary Examiner* — Mark Goodwin  
(74) *Attorney, Agent, or Firm* — Peter K. Zacharias; Patrick M. Sheldrake

(21) Appl. No.: **29/581,506**

(22) Filed: **Oct. 19, 2016**

(51) **LOC (10) Cl.** ..... **15-03**

(52) **U.S. Cl.**  
USPC ..... **D15/30**

(58) **Field of Classification Search**  
USPC ..... D15/28, 30, 31, 22–26; D34/37;  
180/89.11, 89.12, 89.13, 89.19, 900  
CPC .. B66C 13/54; E02F 9/16; E02F 9/163; E02F  
9/06; B62D 33/0617; B62D  
49/00–49/085; B62D 33/06–33/073; B60J  
7/00; B60J 1/004; B60J 1/02; B60J 1/04;  
B60J 5/0487

See application file for complete search history.

(56) **References Cited**

**U.S. PATENT DOCUMENTS**

D249,523 S \* 9/1978 Segales ..... D15/30  
D660,881 S \* 5/2012 Bohme ..... D15/30  
D667,851 S \* 9/2012 Warr ..... D15/30  
D668,693 S \* 10/2012 Ringer ..... D15/30  
D671,566 S \* 11/2012 Fang ..... D15/30  
D674,410 S \* 1/2013 Blind ..... D15/30

(57) **CLAIM**

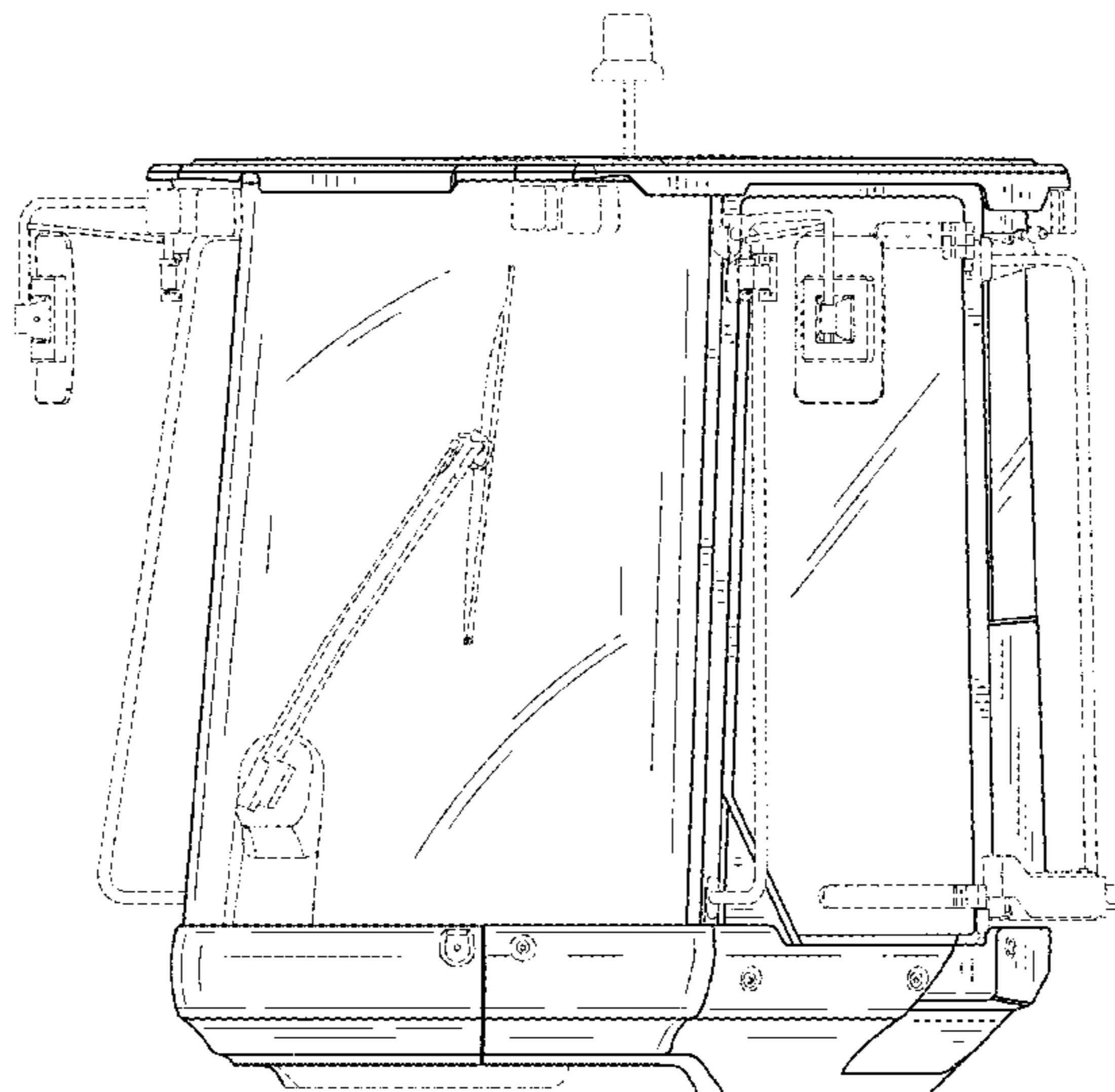
We claim the ornamental design for the work vehicle cabin, as shown and described.

**DESCRIPTION**

FIG. 1 is a first front perspective view of a work vehicle cabin showing an embodiment of our new design; FIG. 2 is a second front perspective view thereof; FIG. 3 is a first rear perspective view thereof; FIG. 4 is a second rear perspective view thereof; FIG. 5 is a front view thereof; FIG. 6 is a rear view thereof; FIG. 7 is a side view thereof; FIG. 8 is an opposite side view thereof; FIG. 9 is a top view thereof; and, FIG. 10 is a bottom view thereof.

Only the shapes and portions bounded by solid lines form the claimed design. The elements depicted in dashed lines are shown for illustrative purpose of environment and form no part of the ornamental design.

**1 Claim, 10 Drawing Sheets**



(56)

**References Cited**

U.S. PATENT DOCUMENTS

D780,235 S \* 2/2017 Kim ..... D15/30  
D782,548 S \* 3/2017 Okuyama ..... D15/30  
D784,425 S \* 4/2017 Cooksey ..... D15/30

\* cited by examiner

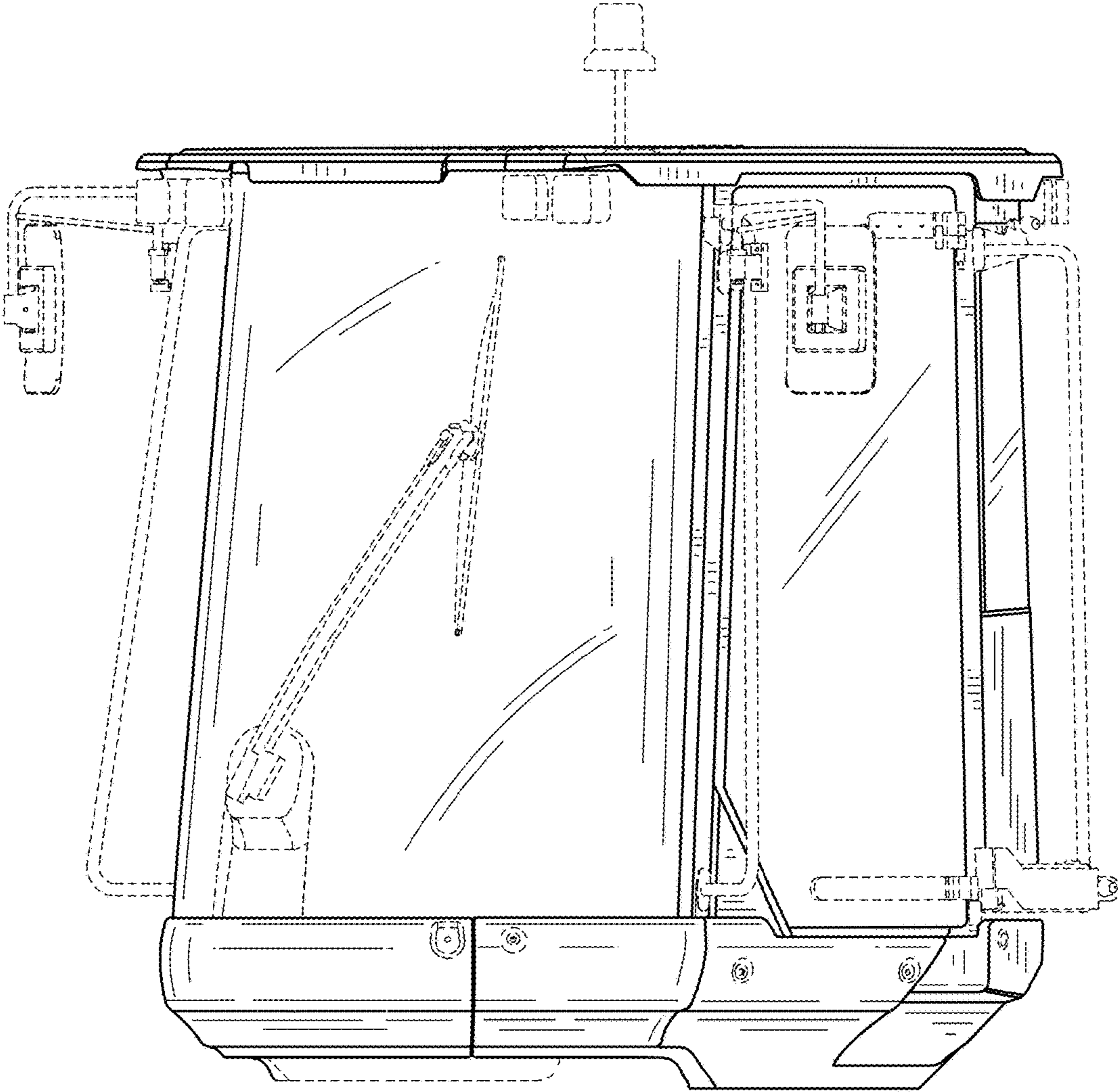


FIG. 1

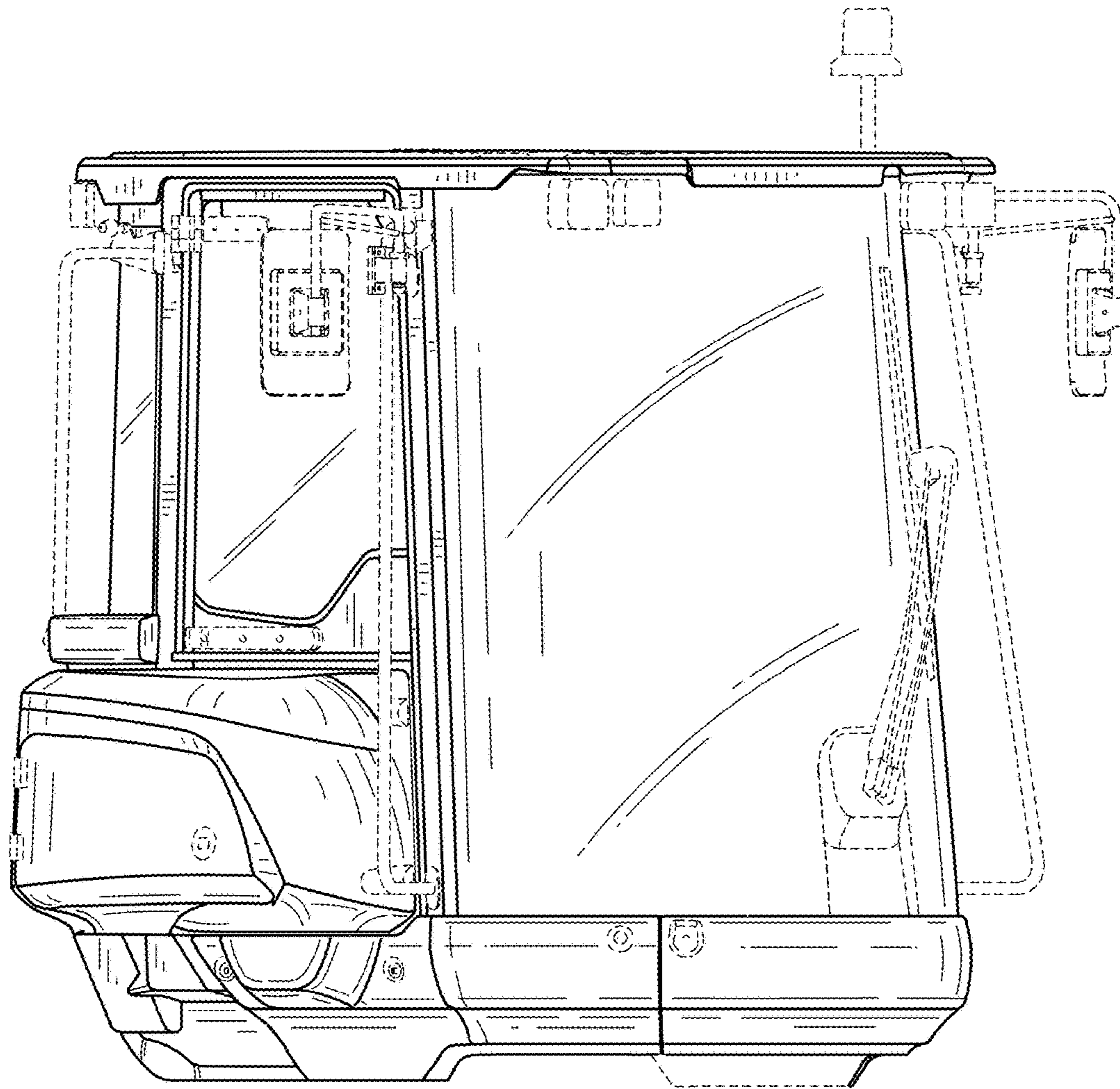


FIG. 2

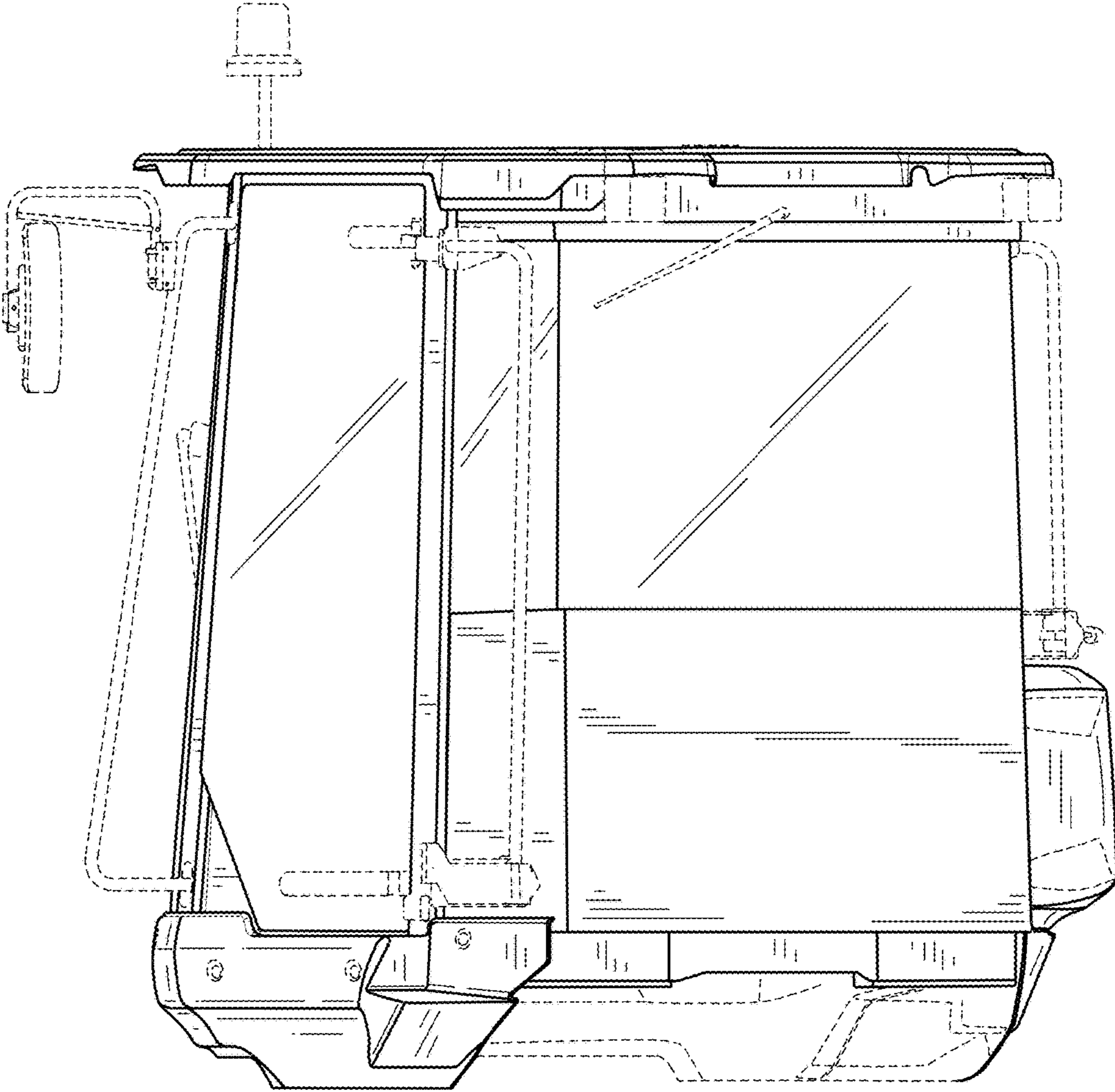


FIG. 3

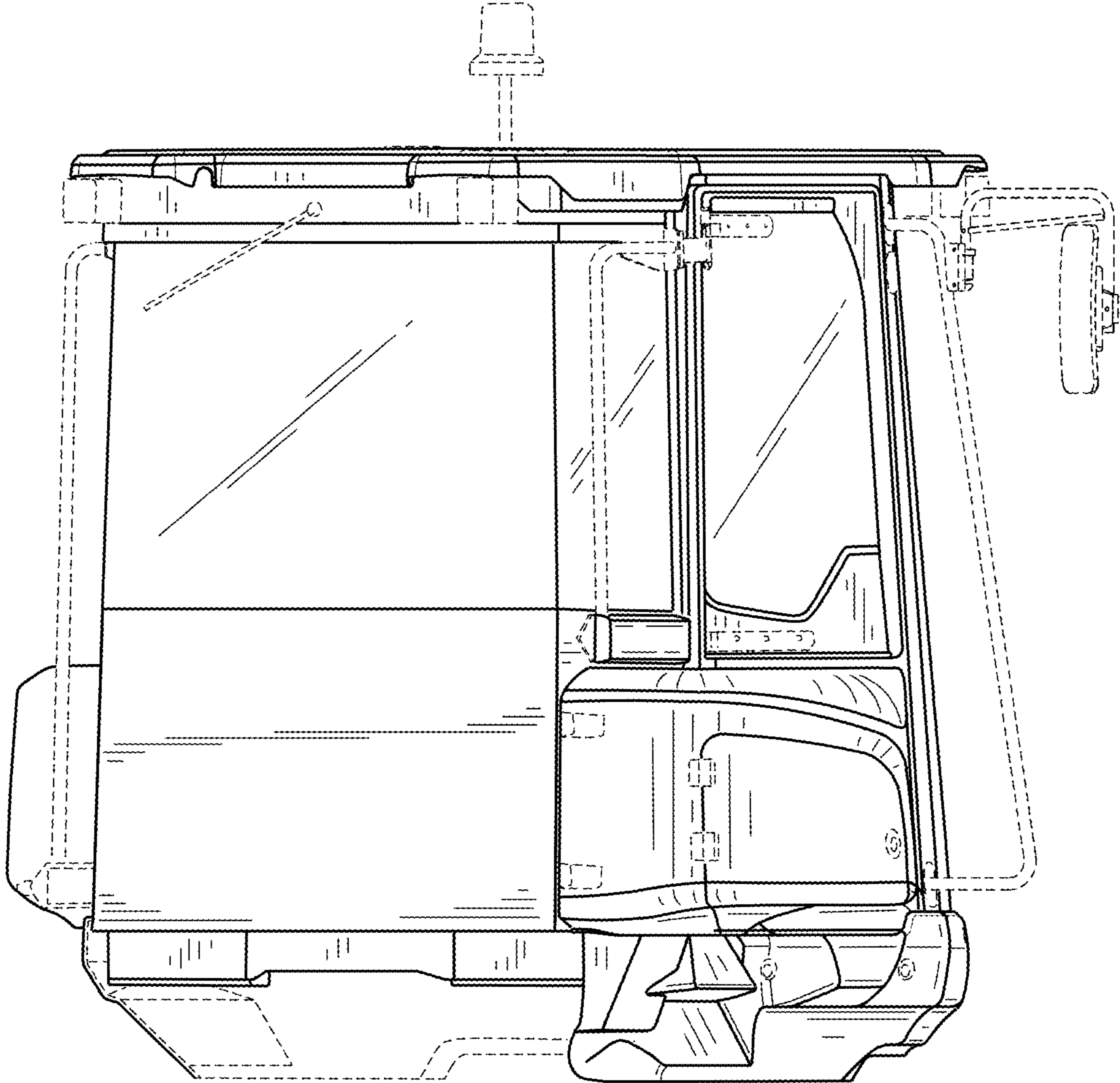


FIG. 4

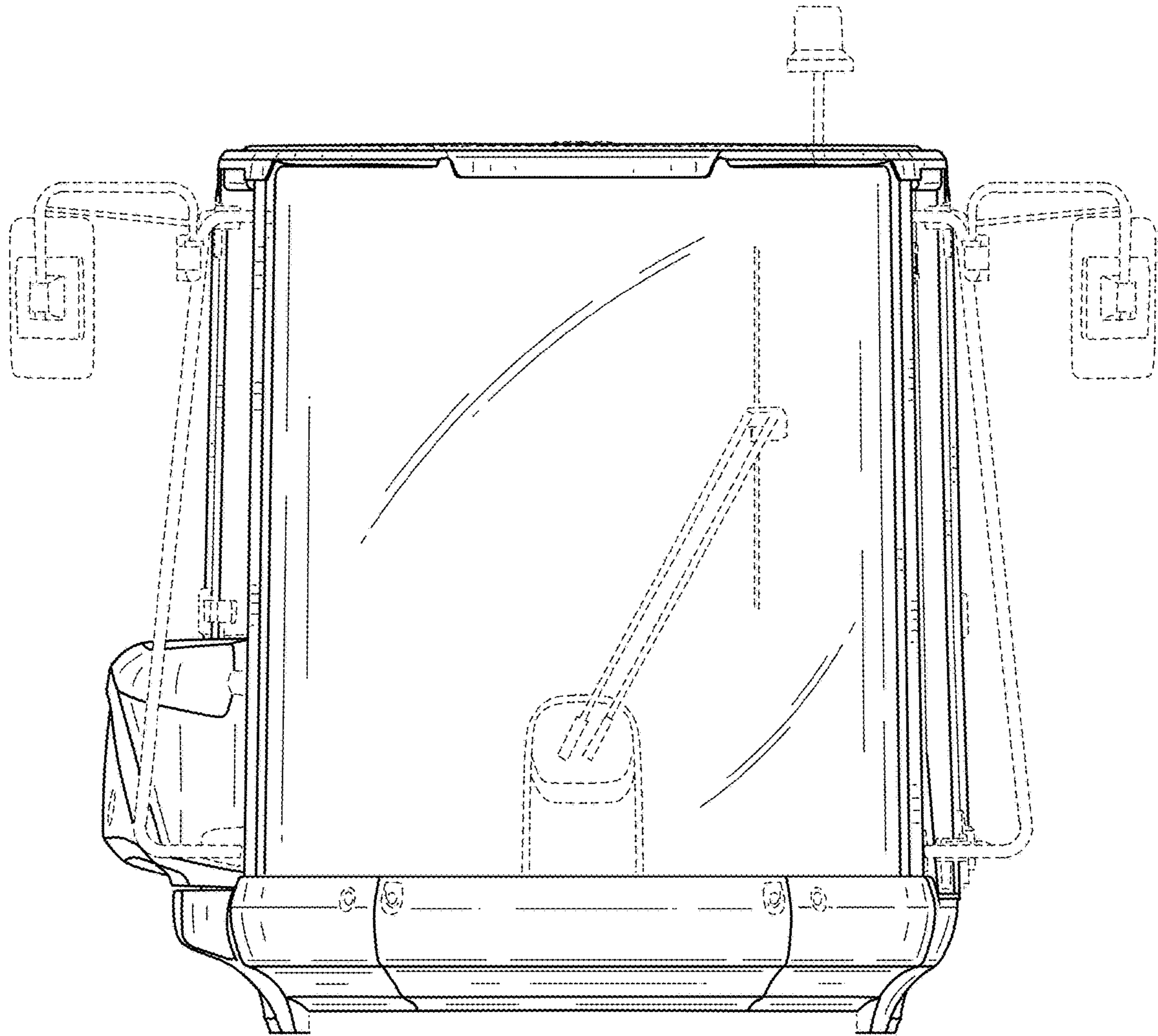


FIG. 5

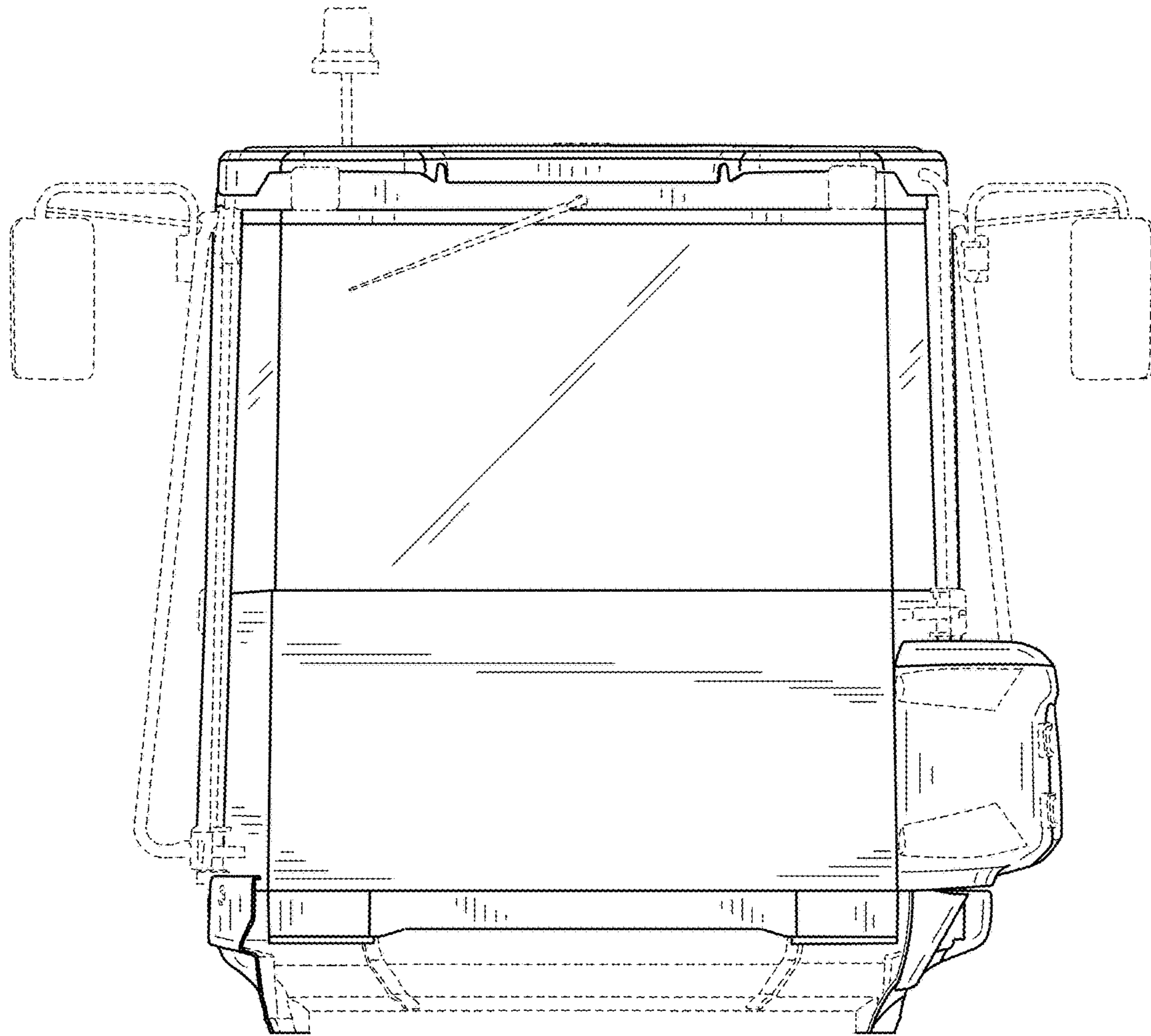


FIG. 6



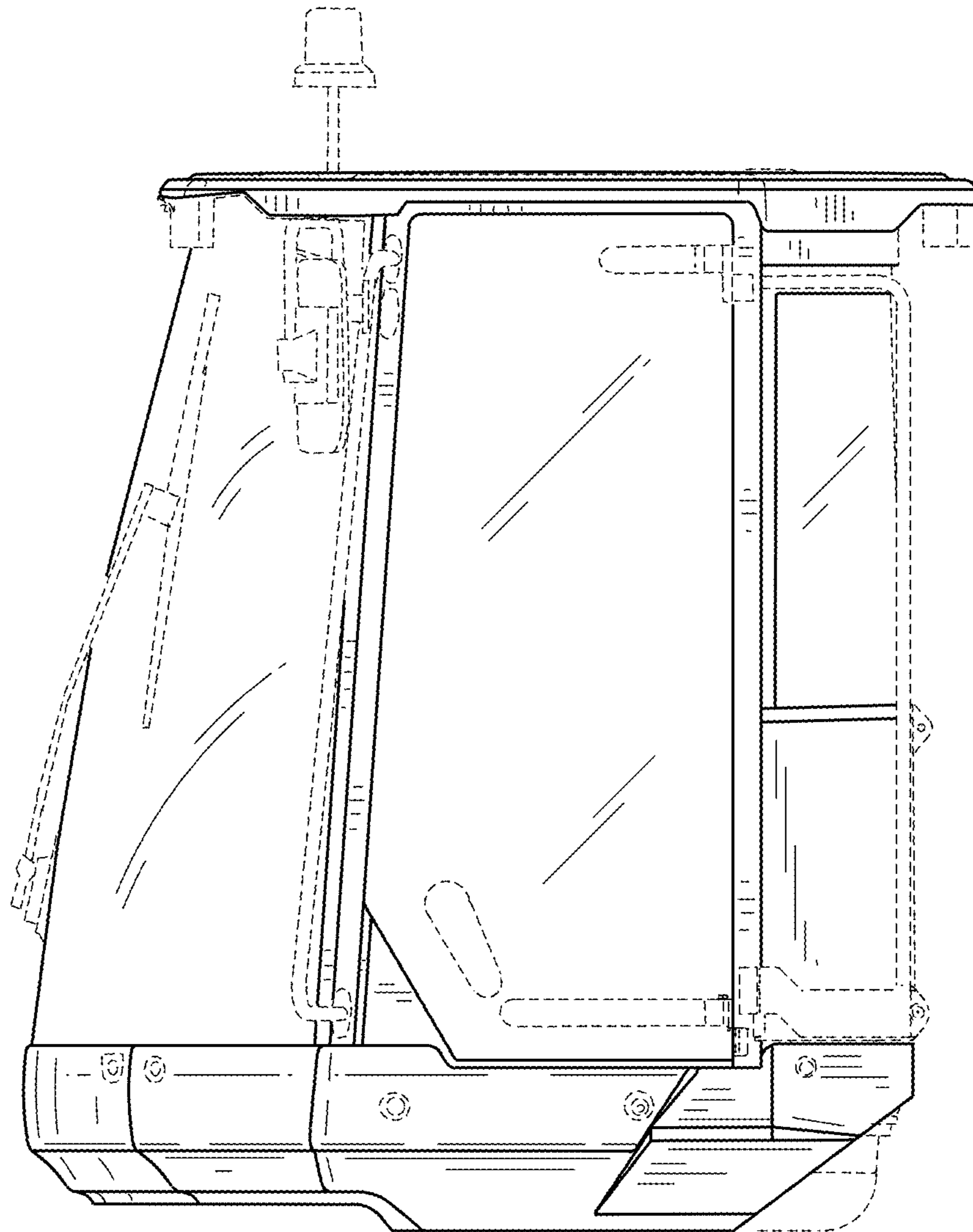


FIG. 7

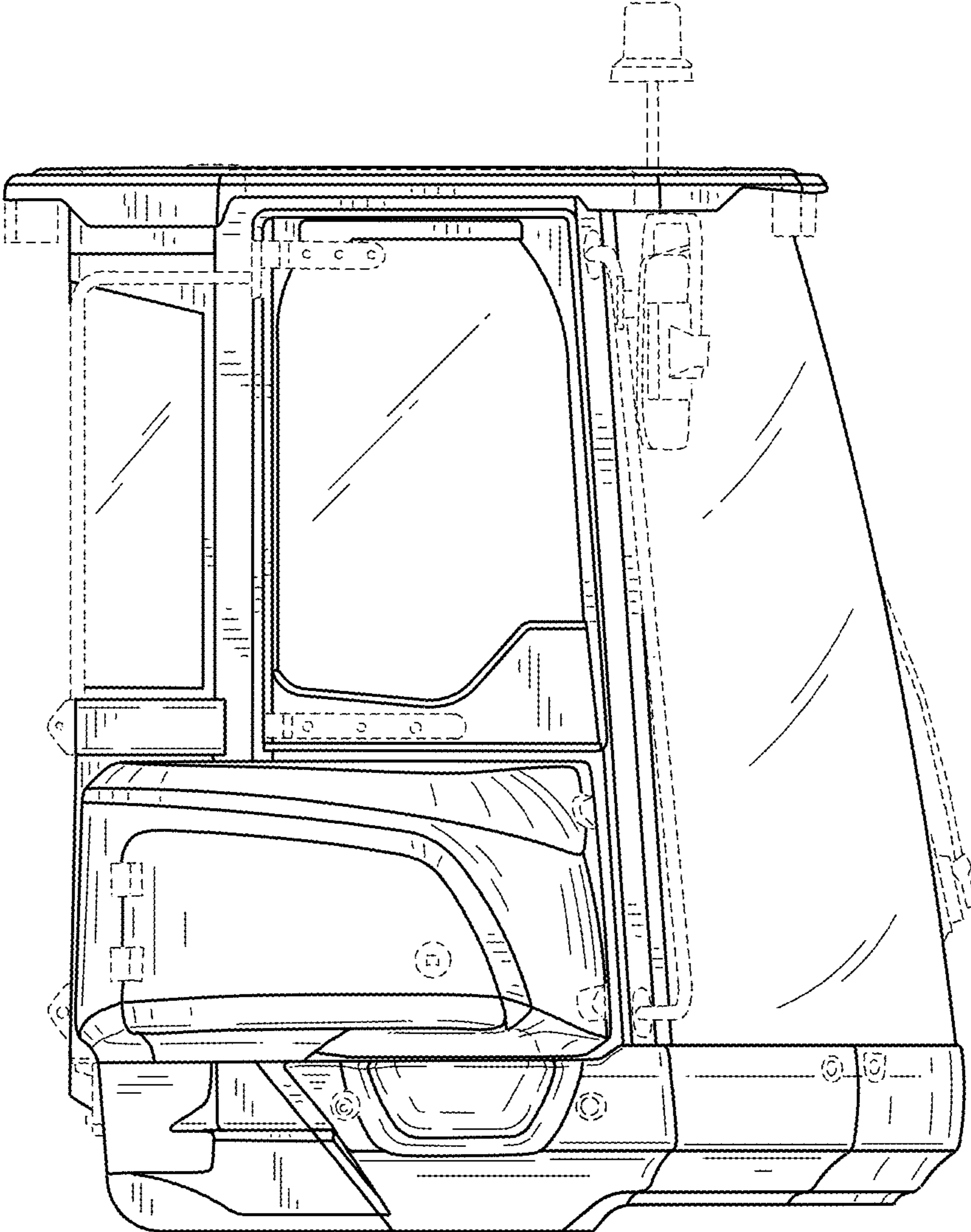


FIG. 8

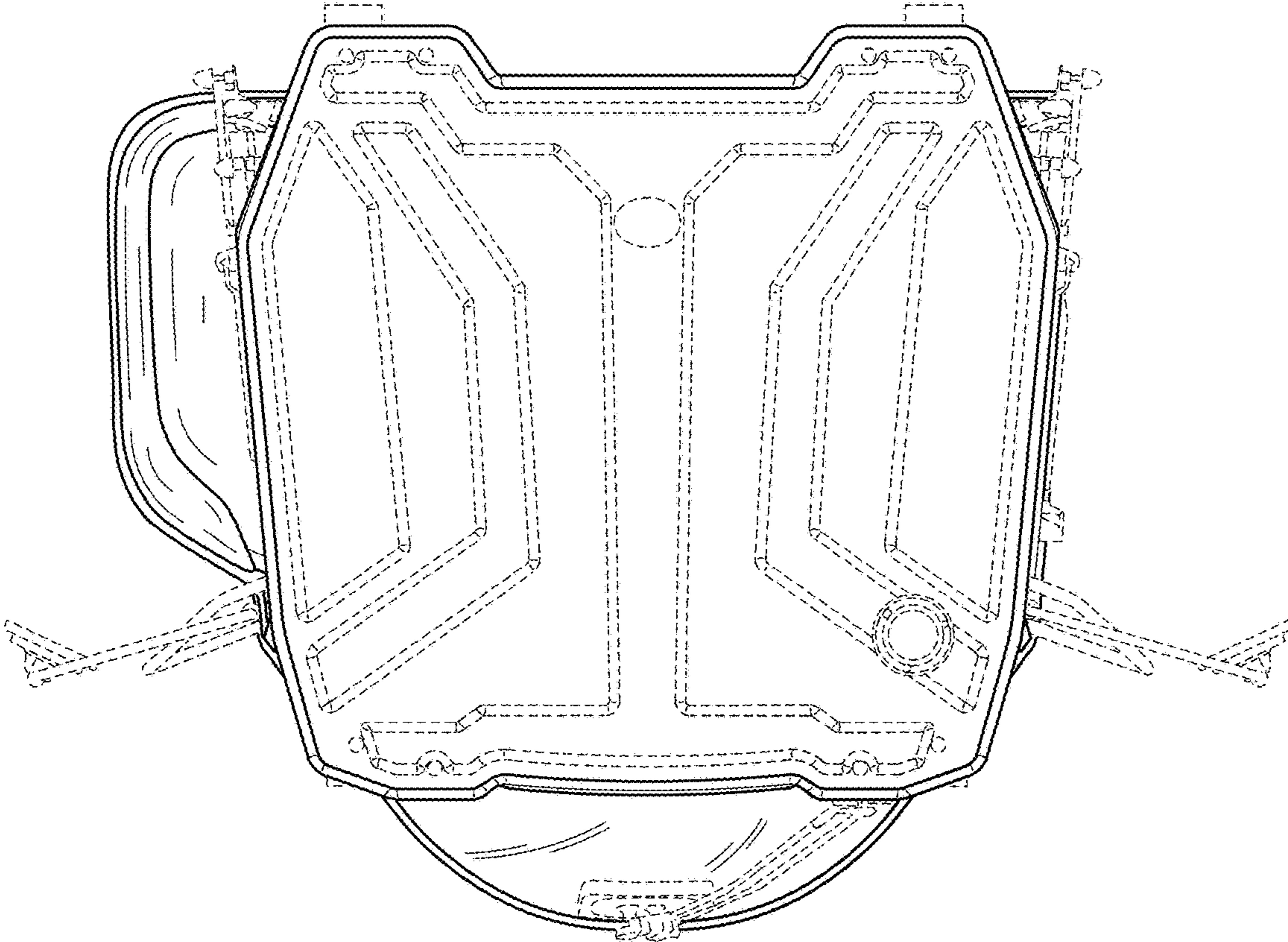


FIG. 9

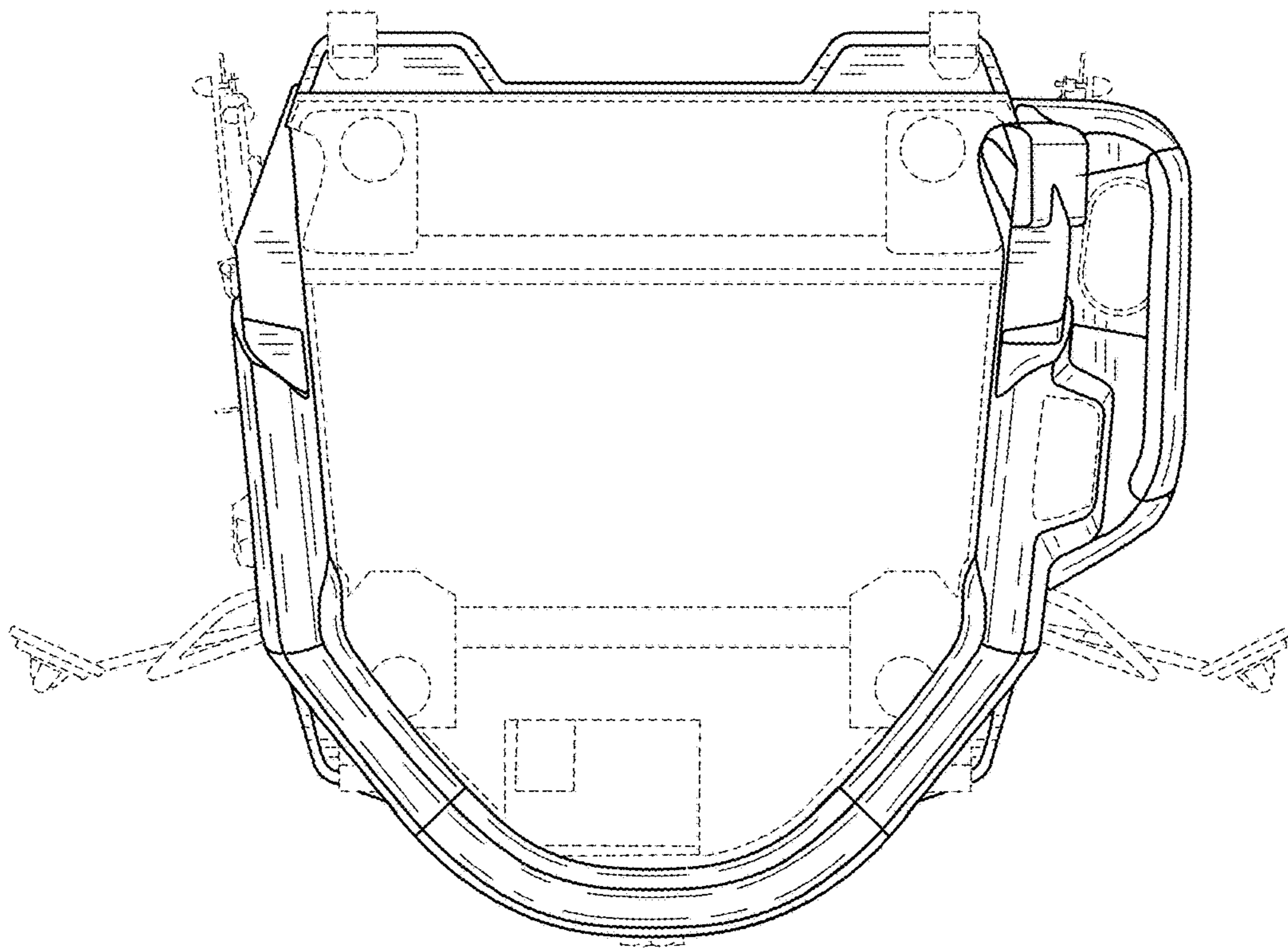


FIG. 10