



US00D805111S

(12) **United States Design Patent** (10) **Patent No.:** **US D805,111 S**
Fujiwara (45) **Date of Patent:** **** Dec. 12, 2017**

(54) **LAWN MOWER**
(71) Applicant: **HONDA MOTOR CO., LTD.**, Tokyo (JP)
(72) Inventor: **Masato Fujiwara**, Wako (JP)
(73) Assignee: **HONDA MOTOR CO., LTD.**, Tokyo (JP)
(**) Term: **15 Years**
(21) Appl. No.: **29/587,797**

(22) Filed: **Dec. 15, 2016**
(30) **Foreign Application Priority Data**

Jun. 17, 2016 (JP) 2016-013035
(51) **LOC (10) Cl.** **15-03**
(52) **U.S. Cl.**
USPC **D15/14; D15/17**

(58) **Field of Classification Search**
USPC D15/14, 17, 18; 56/11.9, 17.5, 13.4, 56/12.8, 16.7, 202, 255, 294, 295, 320.1, 56/320.2; 180/900, 89.1, 89.12
CPC A01D 34/008; A01D 34/81; A01D 34/416; A01D 34/4166; A01D 34/4167; A01D 34/87; A01D 34/90; B60L 1/003; B60L 3/0061; B60L 11/1803; B60L 11/1805; B60L 11/1877; B60L 15/20; B60L 2260/28; B60L 2200/40; B60L 2220/16; B60L 2220/46; B60L 2240/36; B60L 2240/421; A01G 3/04; A01G 3/0435
See application file for complete search history.

(56) **References Cited**
U.S. PATENT DOCUMENTS
D245,502 S * 8/1977 Oscarsson D15/17
D250,337 S * 11/1978 Williams D15/17

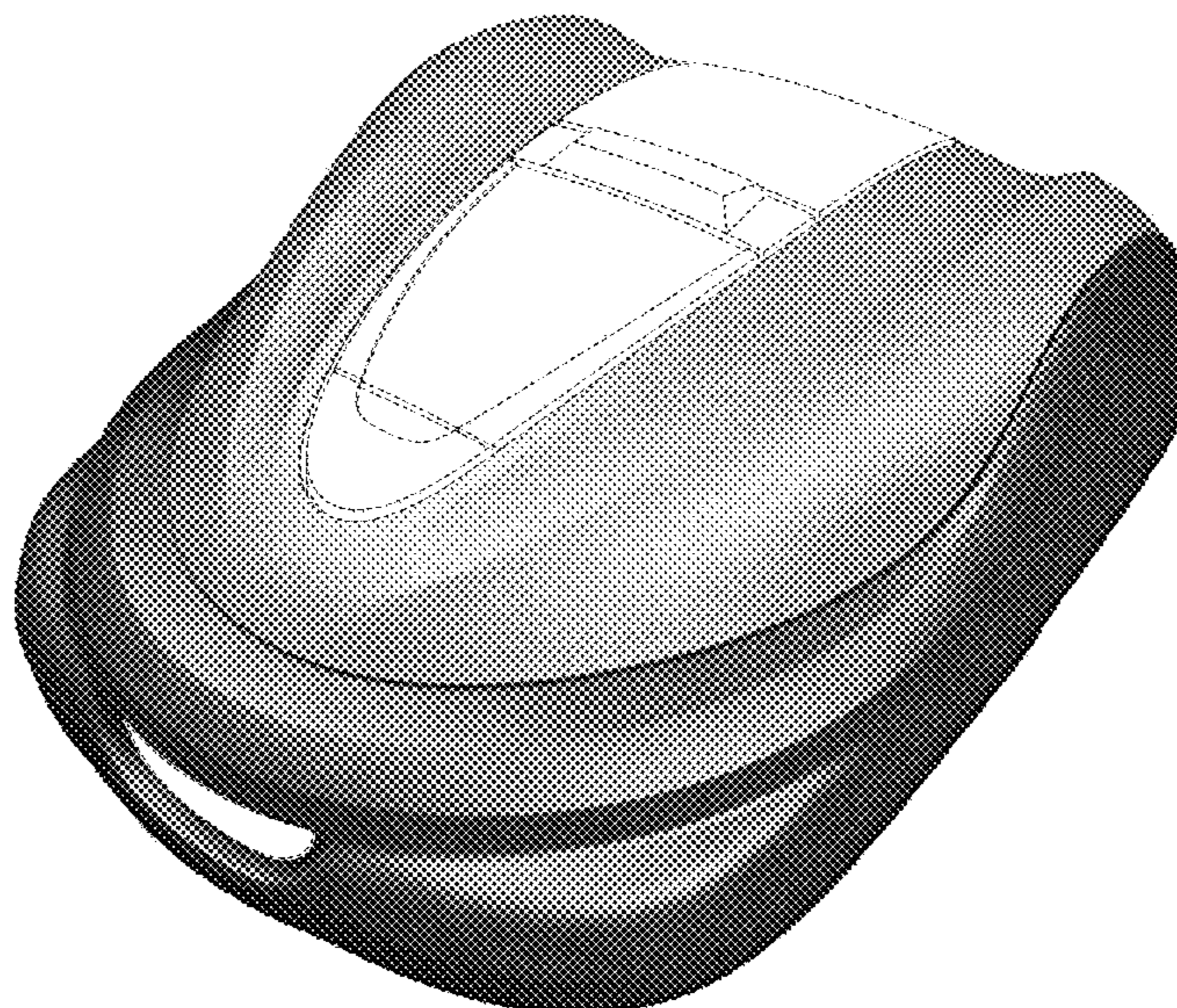
D420,365 S * 2/2000 Gunnar D15/14
D451,931 S * 12/2001 Abramson D15/14
D504,901 S * 5/2005 Wickstrom D15/14
D559,867 S * 1/2008 Abramson D15/14
D652,431 S * 1/2012 Naslund D15/14
D656,163 S * 3/2012 Johansson D15/14
D678,352 S * 3/2013 Maeda D15/14
D679,294 S * 4/2013 Tajik D15/14
D679,295 S * 4/2013 Tajik D15/14
D681,065 S * 4/2013 Maeda D15/14
D688,276 S * 8/2013 Naslund D15/14
D718,339 S * 11/2014 Damshak D15/14
D729,280 S * 5/2015 Naslund D15/14

* cited by examiner
Primary Examiner — Mark Goodwin
(74) *Attorney, Agent, or Firm* — Westerman, Hattori, Daniels & Adrian

(57) **CLAIM**
The ornamental design for a lawn mower, as shown and described.

DESCRIPTION
FIG. 1 is a first perspective view of a lawn mower; FIG. 2 is a second perspective view thereof; FIG. 3 is a front elevation view thereof; FIG. 4 is a rear elevation view thereof; FIG. 5 is a top plan view thereof; FIG. 6 is a bottom plan view thereof; FIG. 7 is a right side elevation view thereof; and, FIG. 8 is a left side elevation view thereof.
The broken lines in the drawings illustrate portions of the lawn mower that form no part of the claimed design.

1 Claim, 8 Drawing Sheets



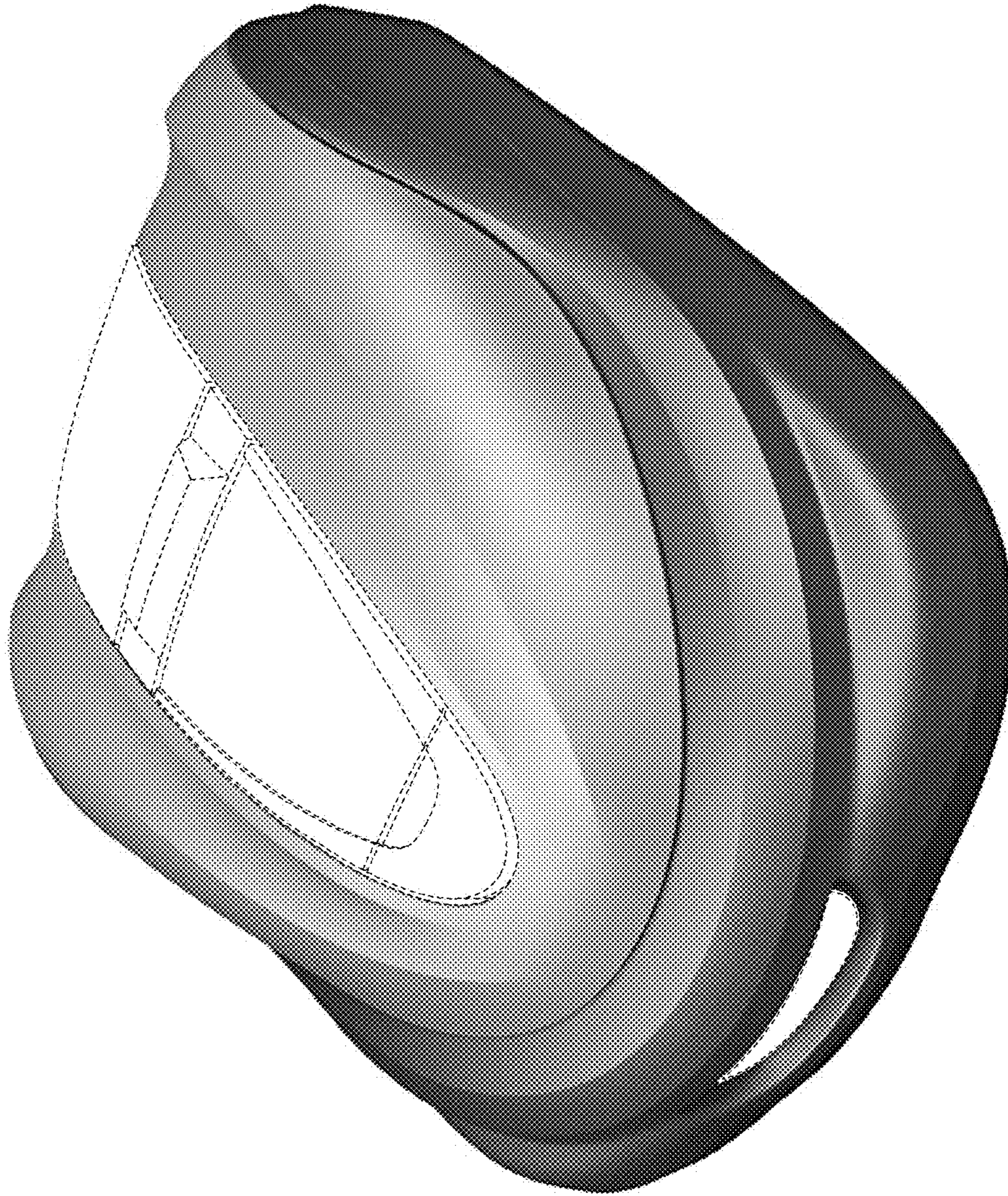


Fig.1

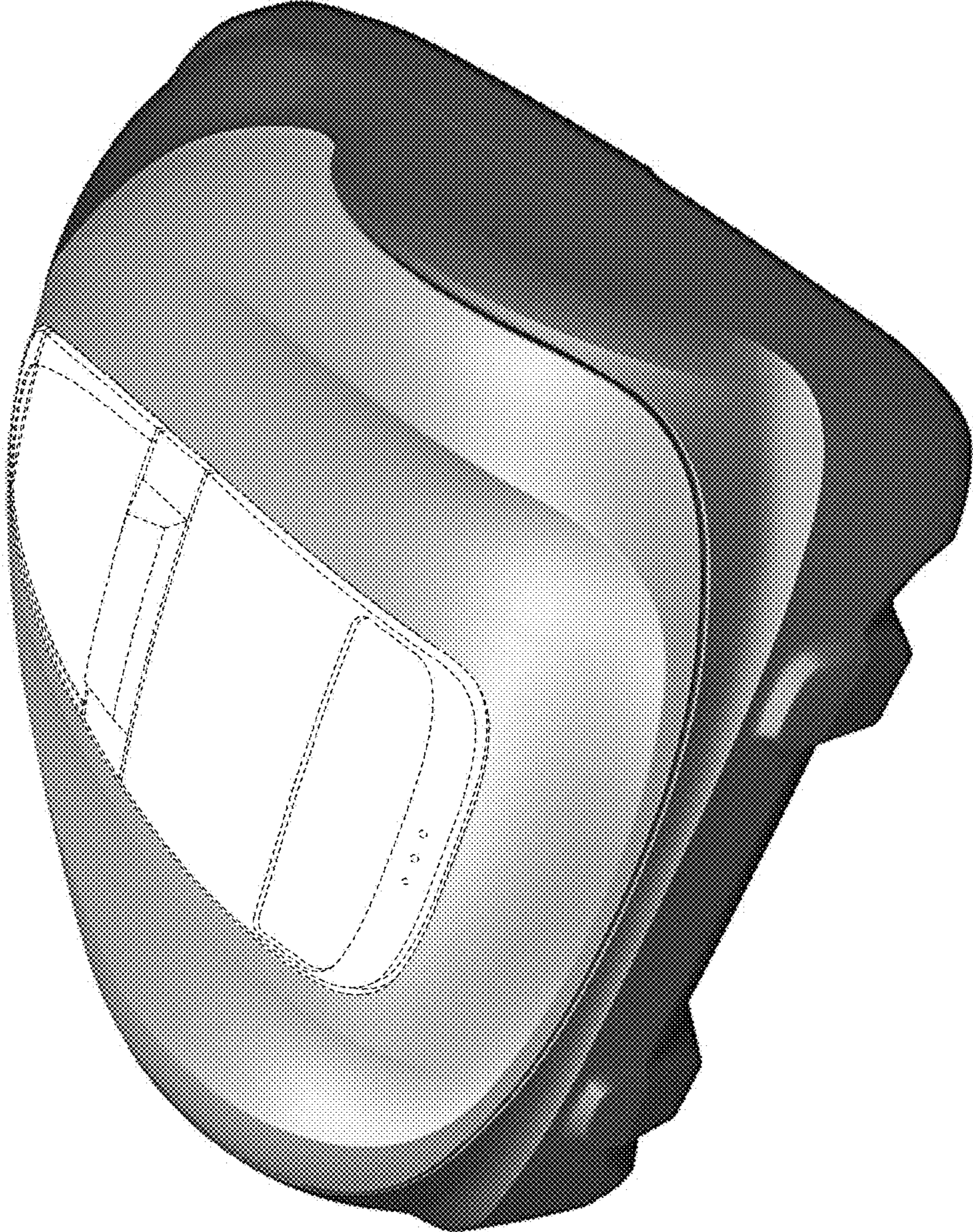


Fig.2

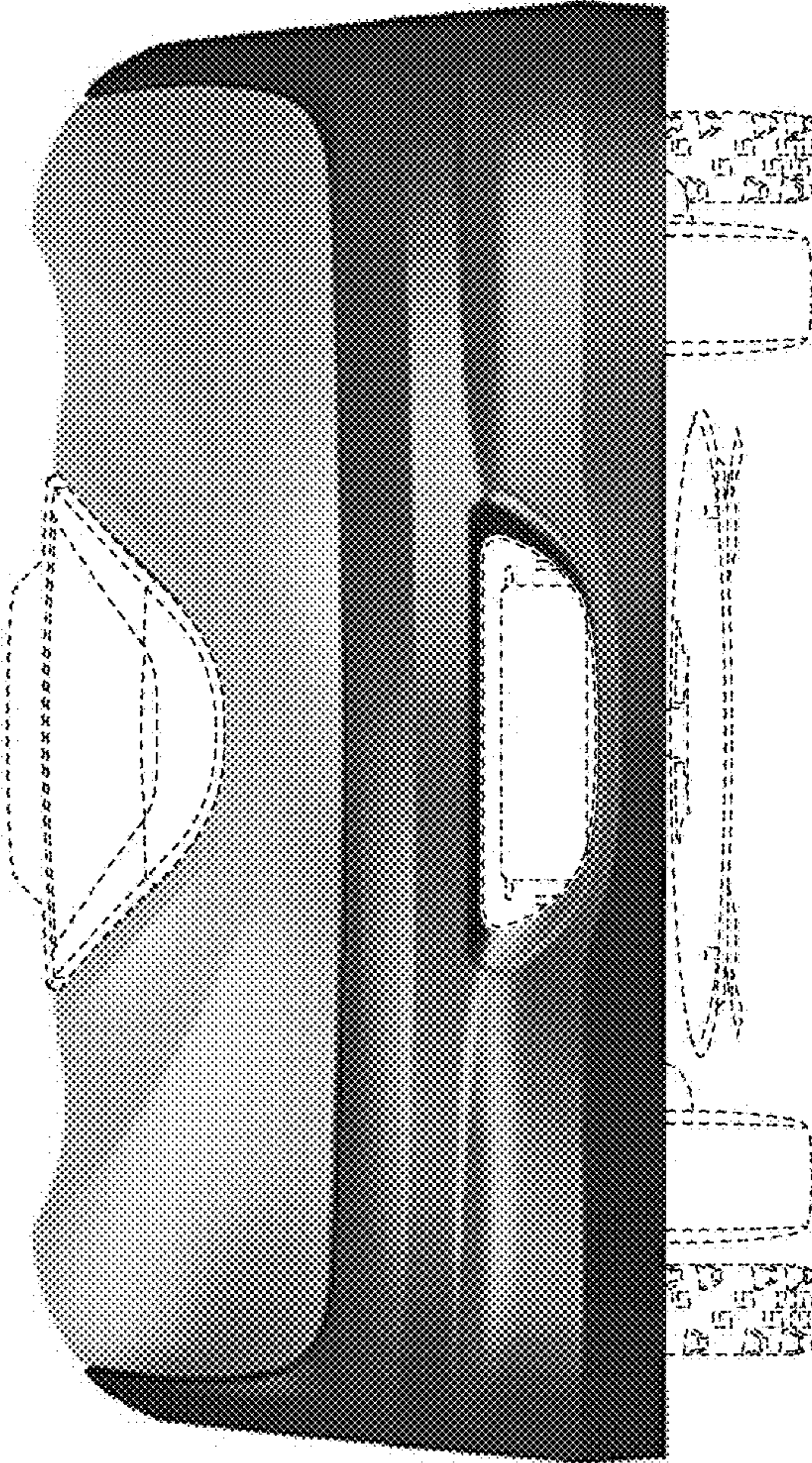


Fig. 3

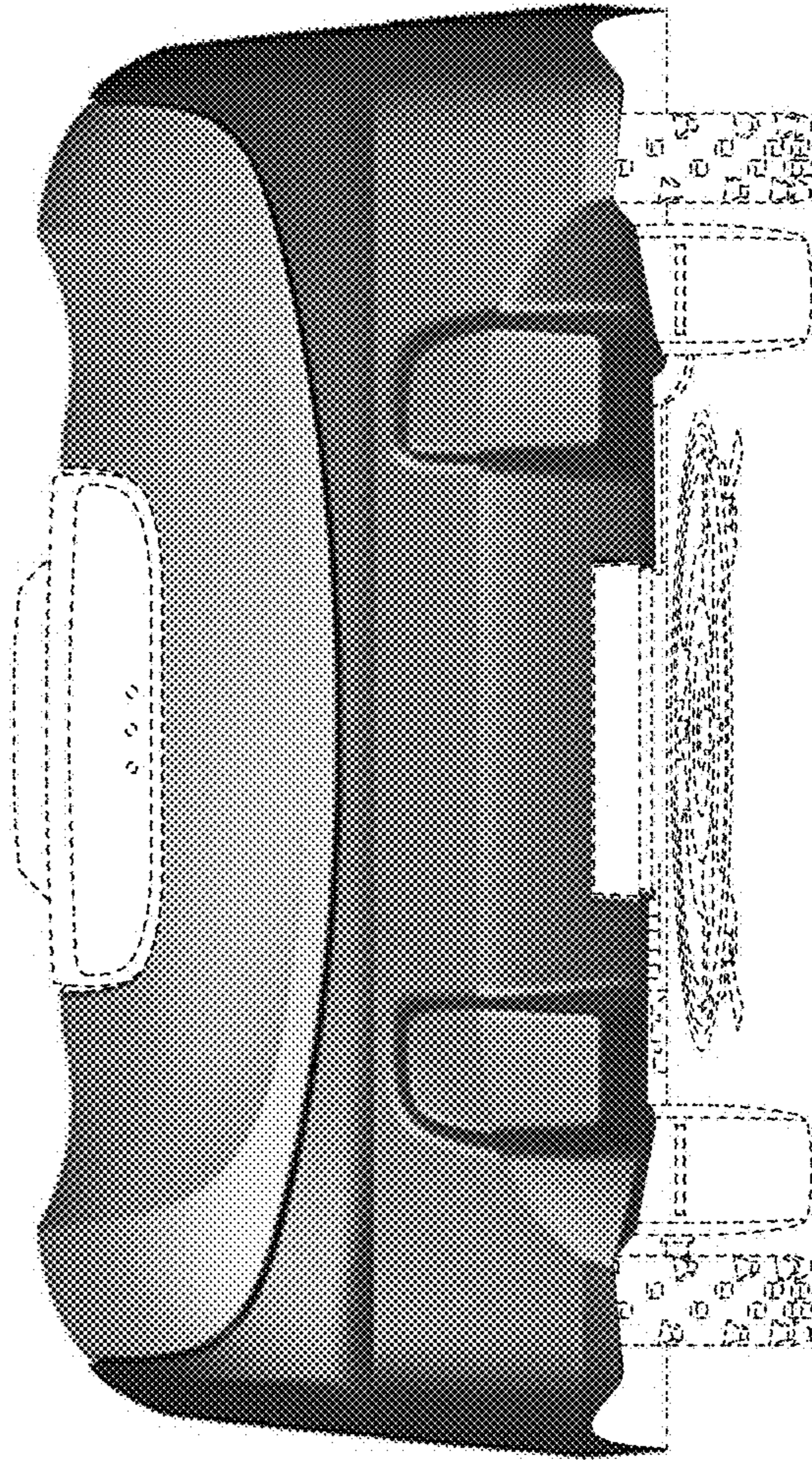


Fig. 4

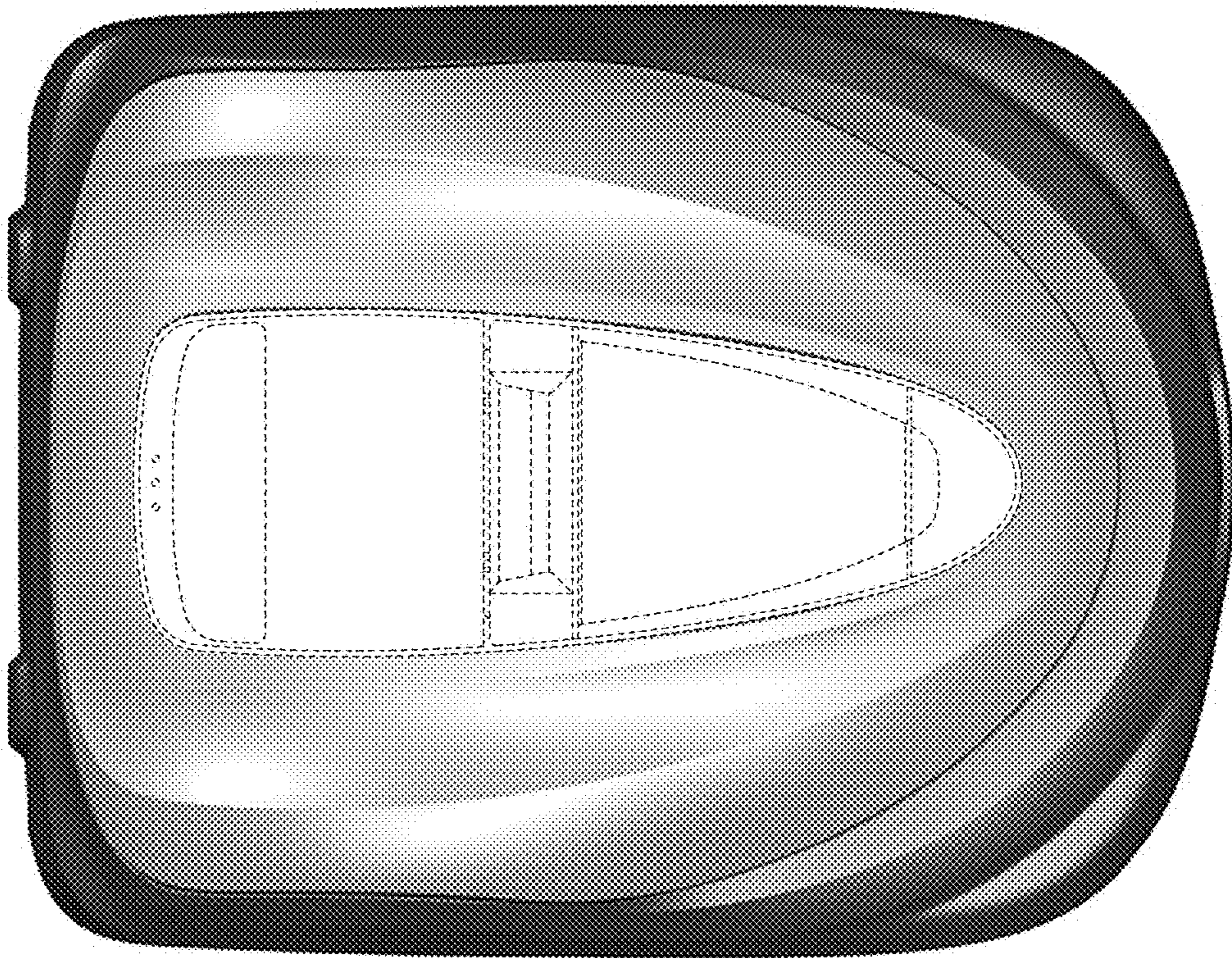


Fig. 5

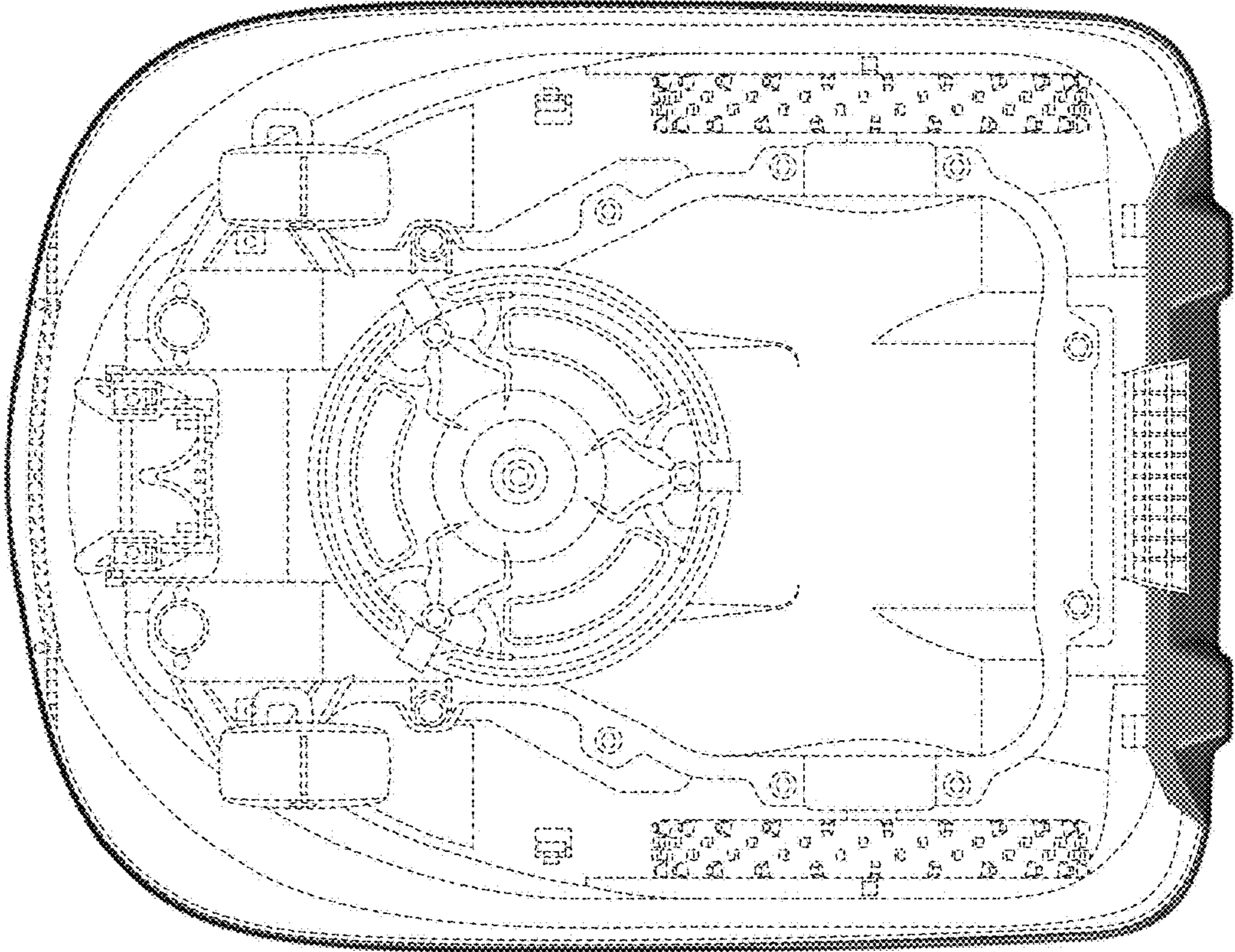


Fig. 6

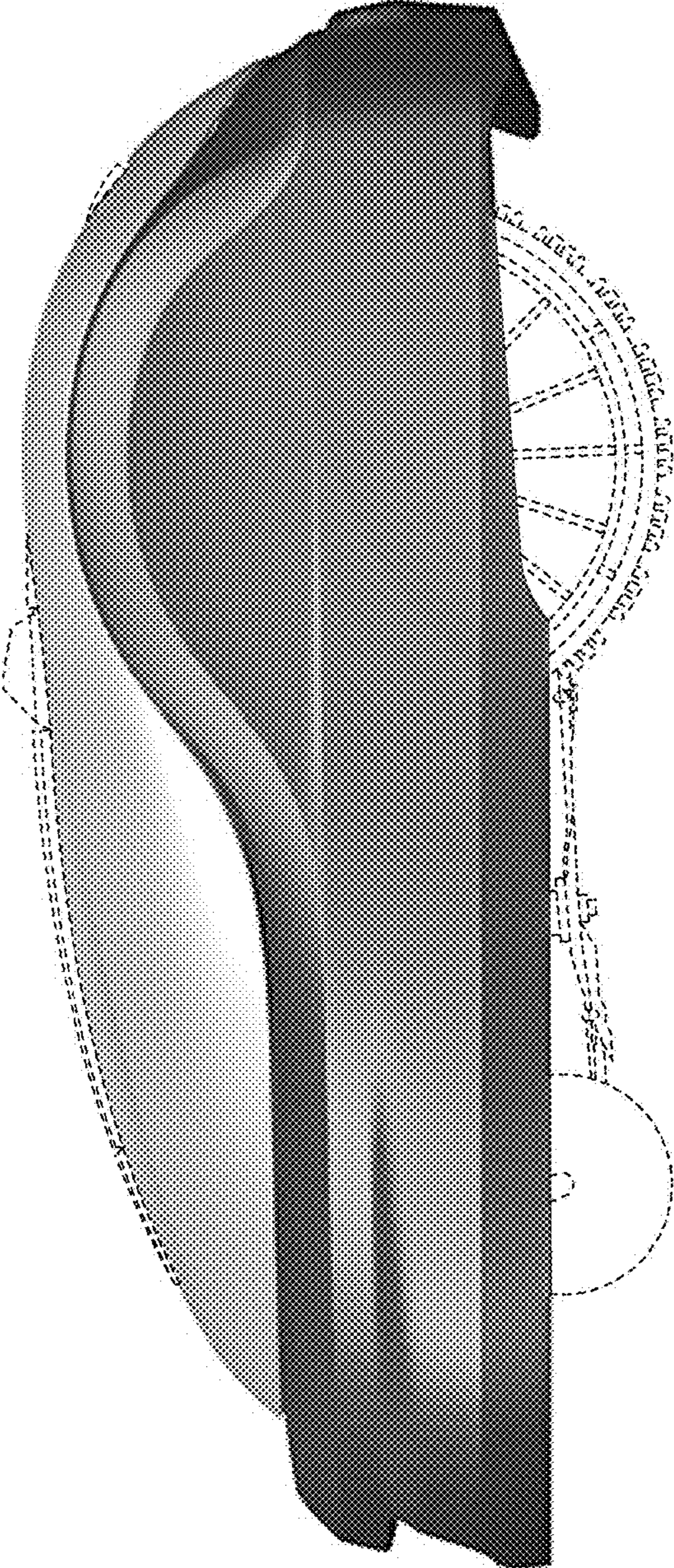


Fig. 7

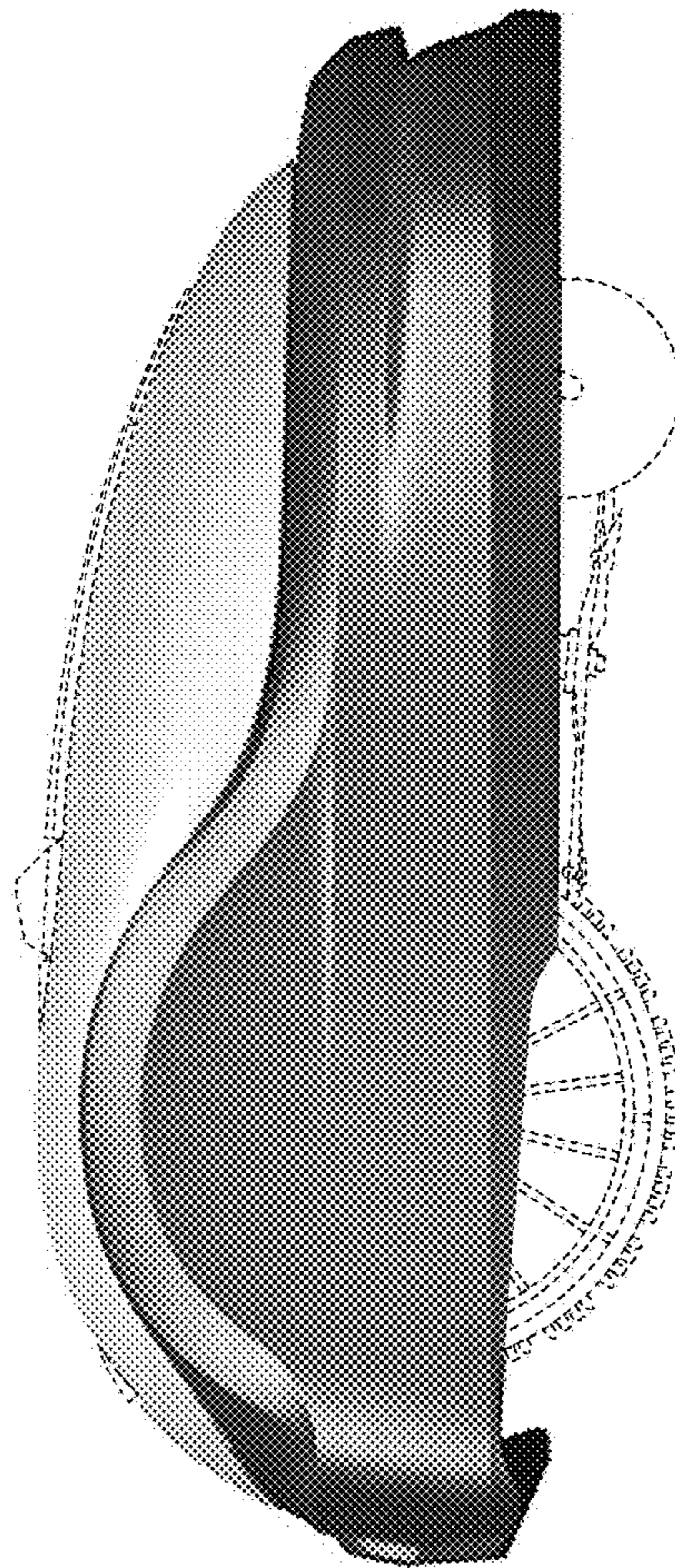


Fig. 8