



US00D805110S

(12) **United States Design Patent** (10) **Patent No.:** **US D805,110 S**
Li (45) **Date of Patent:** **** Dec. 12, 2017**

(54) HANDLE ASSEMBLY	6,745,548 B1 *	6/2004 Phillip	A01D 34/824 56/10.5
(71) Applicant: CHANGZHOU GLOBE CO., LTD., Changzhou, Jiangsu (CN)	D544,501 S *	6/2007 Chung Lee	D15/14
(72) Inventor: Sheng Li, Jiangsu (CN)	7,496,990 B2 *	3/2009 Qiao	A01D 34/824 16/437
(73) Assignee: CHANGZHOU GLOBE CO., LTD., Changzhou (CN)	D605,667 S *	12/2009 Peterson	D15/14
(**) Term: 15 Years	D624,563 S *	9/2010 Lowe	D15/18
(21) Appl. No.: 29/587,517	D642,595 S *	8/2011 Martin	D15/11
(22) Filed: Dec. 13, 2016	D648,754 S *	11/2011 Yuzuriha	D15/17
(30) Foreign Application Priority Data	D676,876 S *	2/2013 Martin	D15/11
Jun. 14, 2016 (CN)	8,490,373 B2 *	7/2013 Hachisuka	A01D 34/824 180/19.3
	9,470,305 B2 *	10/2016 Kaskawitz	A01D 34/475
	D777,795 S *	1/2017 Martin	D15/11
	9,556,572 B2 *	1/2017 Duchscherer	B62D 11/02
	9,681,604 B2 *	6/2017 Bian	A01D 34/824
	9,696,749 B2 *	7/2017 Kaskawitz	A01D 34/68

* cited by examiner

Primary Examiner — Mark Goodwin

(57) **CLAIM**

The ornamental design for a handle assembly, as shown and described.

DESCRIPTION

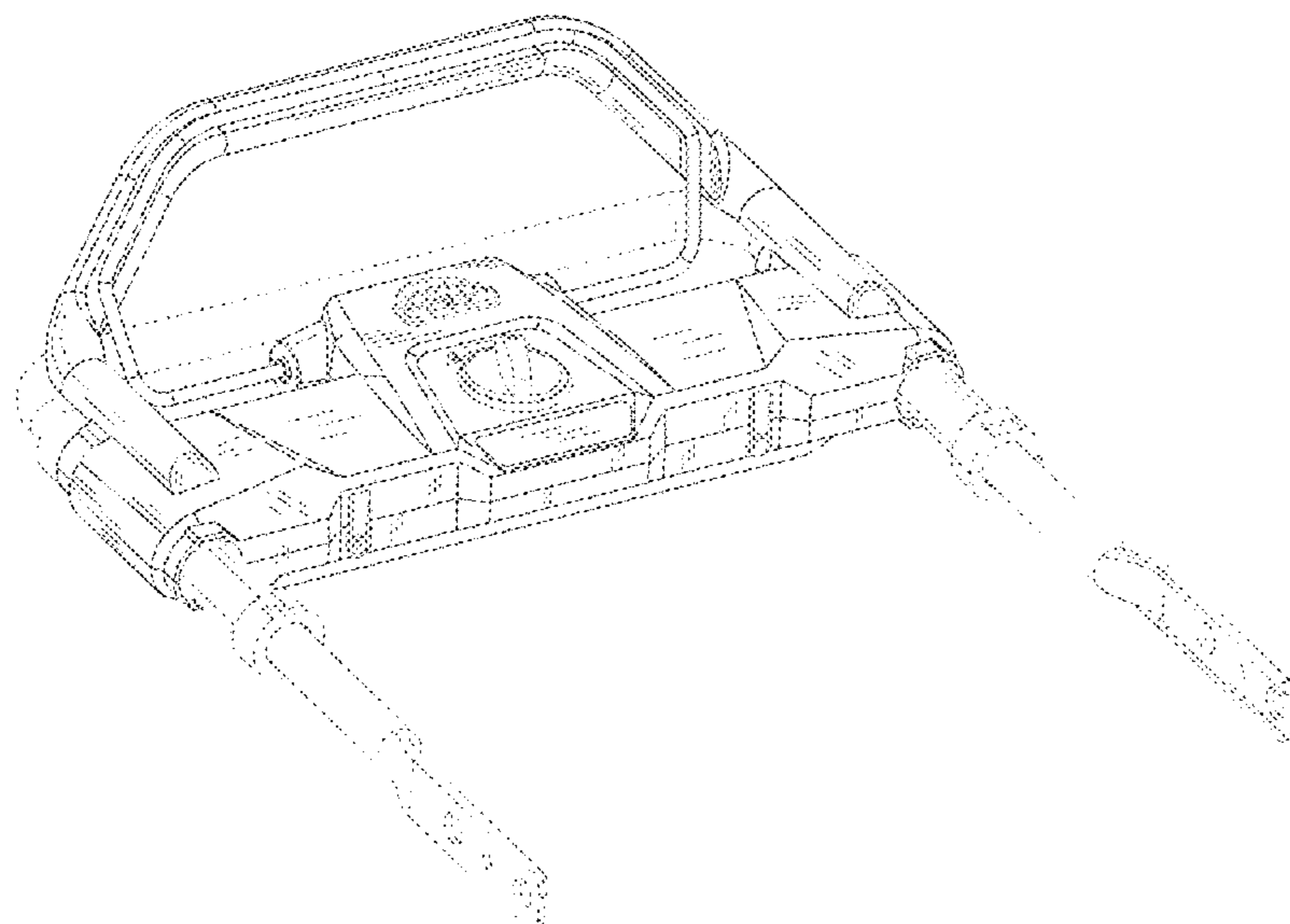
FIG. 1 is a first perspective view of a handle assembly showing my new design;
 FIG. 2 is a second perspective view thereof;
 FIG. 3 is a third perspective view thereof;
 FIG. 4 is a fourth perspective view thereof;
 FIG. 5 is a fifth perspective view thereof;
 FIG. 6 is a sixth perspective view thereof;
 FIG. 7 is a seventh perspective view thereof; and,
 FIG. 8 is an eighth perspective view thereof.
 The broken lines in the drawings illustrate portions of the handle assembly which form no part of the claimed design.

1 Claim, 8 Drawing Sheets

(51) **LOC (10) Cl.** **15-03**
 (52) **U.S. Cl.**
 USPC **D15/11**
 (58) **Field of Classification Search**
 USPC D15/10-12, 17, 18; 56/10.8, 10.5, 11.8,
 56/11.9, 16.7, 17.1, 202, 255, 320.1,
 56/320.2
 CPC .. A01D 34/824; A01D 34/00; A01D 34/6806;
 A01D 2034/6843; A01D 2101/00
 See application file for complete search history.

(56) **References Cited**
U.S. PATENT DOCUMENTS

D295,865 S *	5/1988 Rosenblad	D15/18
D424,578 S *	5/2000 Friberg	D15/18
6,082,083 A *	7/2000 Stalpes	A01D 34/6806 56/10.8



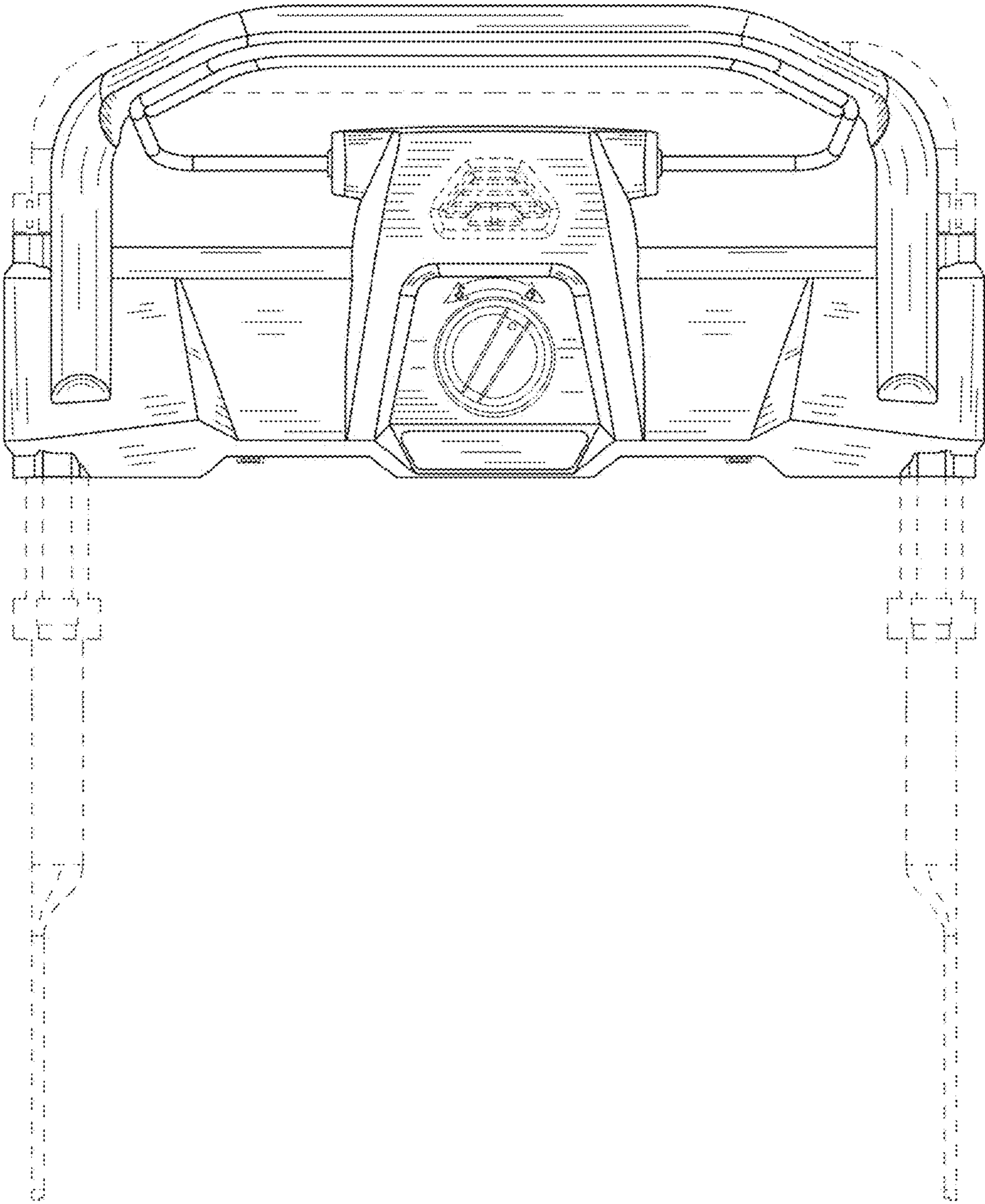


Fig. 1

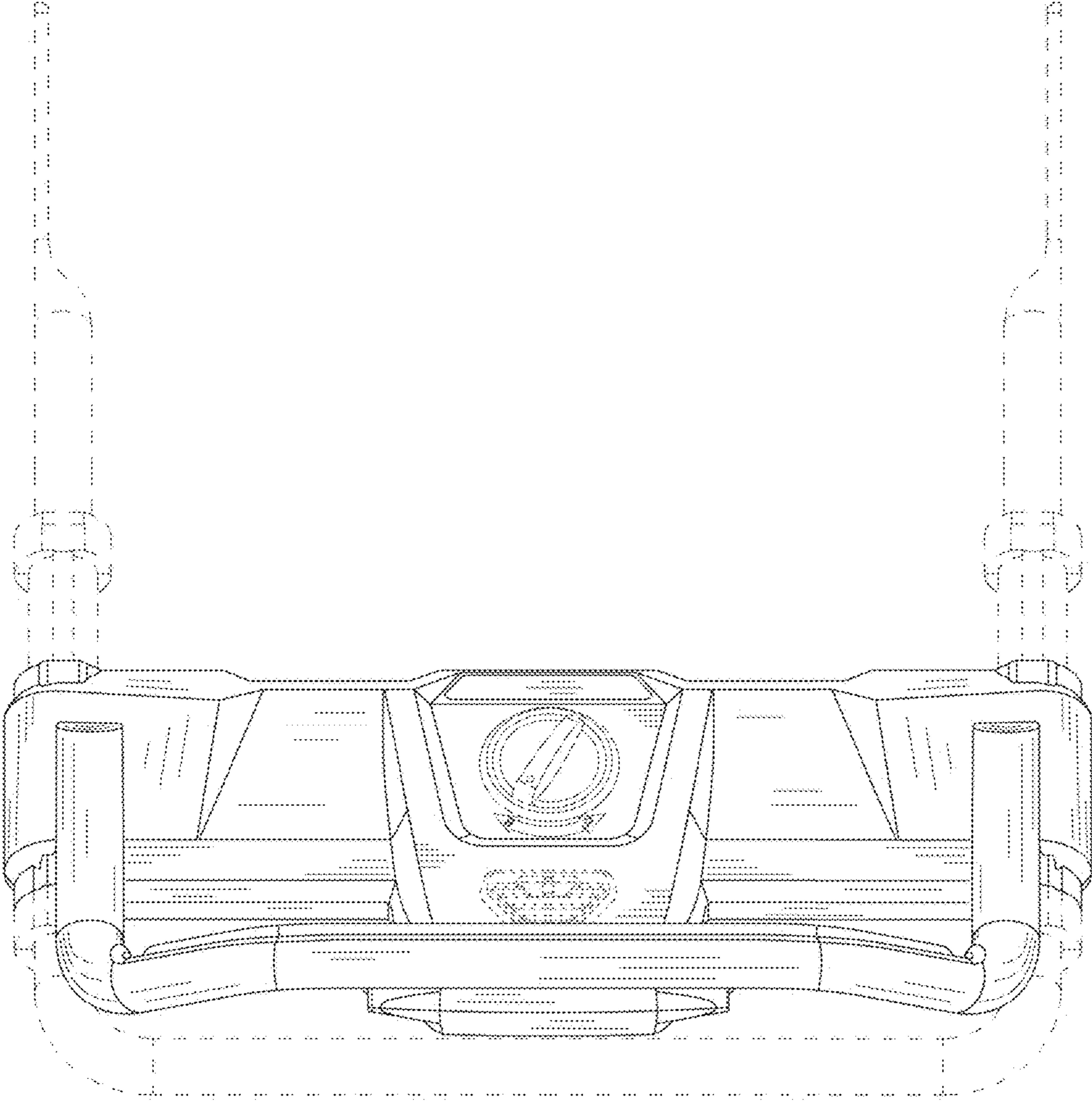


Fig. 2

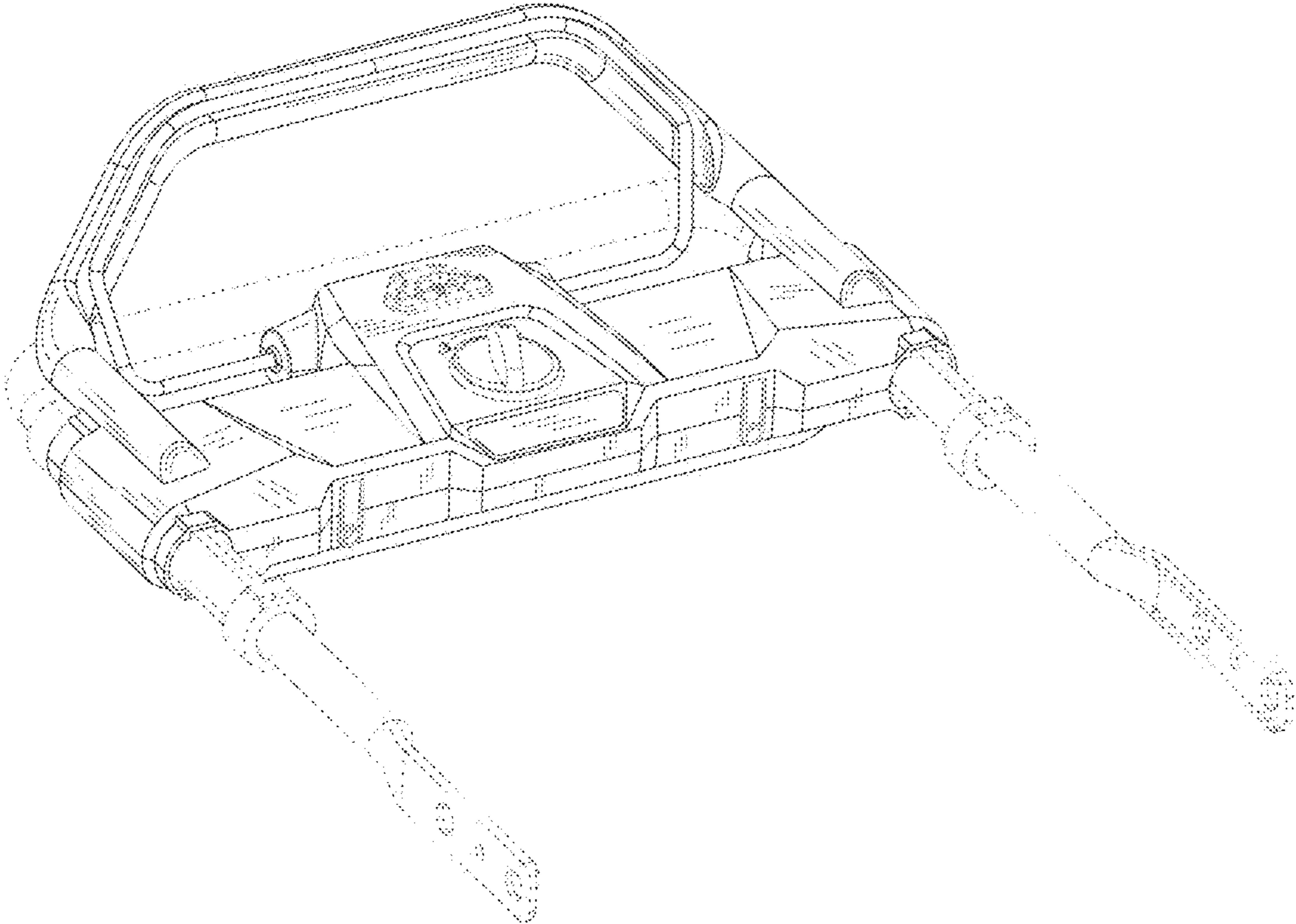


Fig. 3

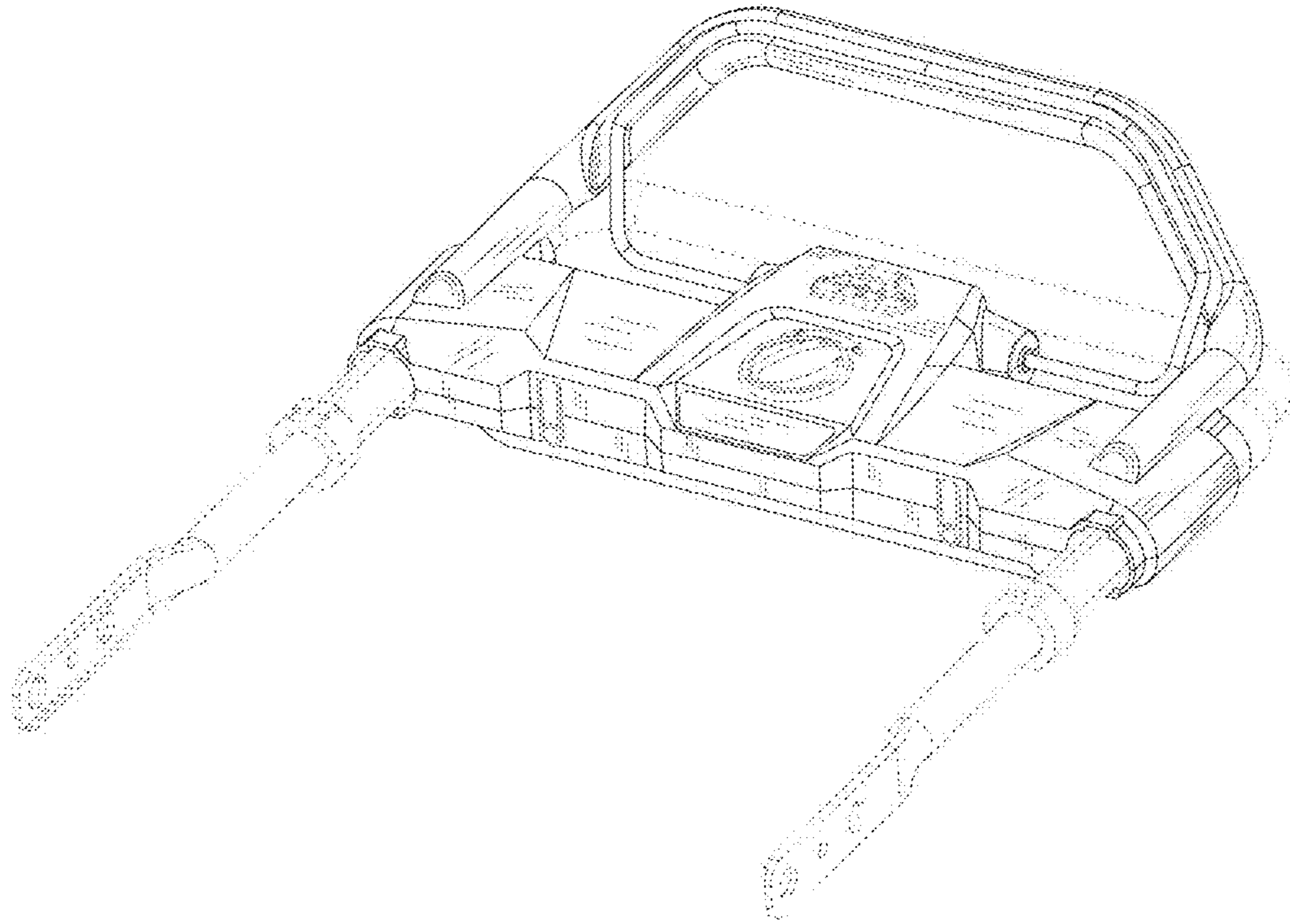


Fig. 4

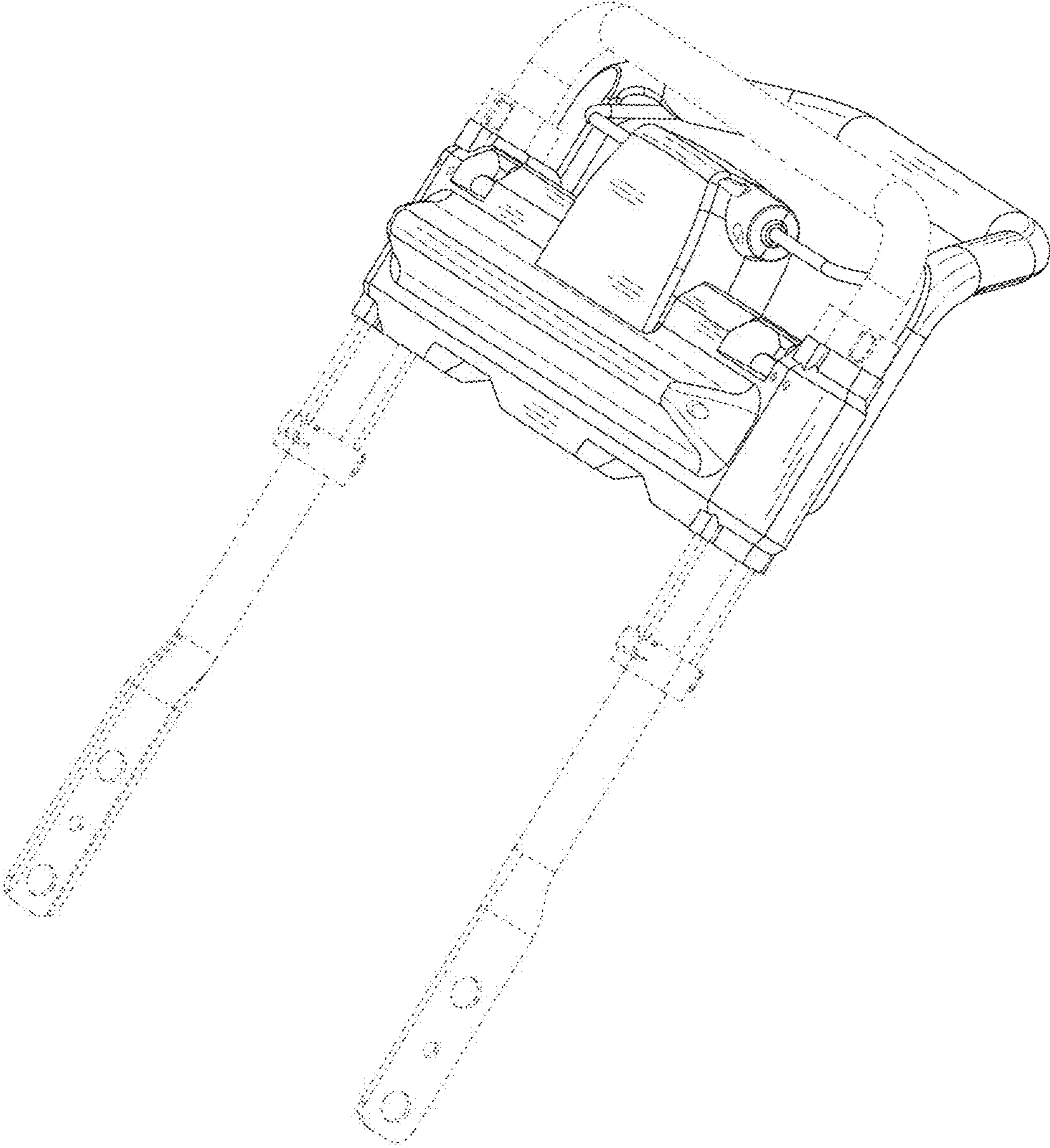


Fig. 5

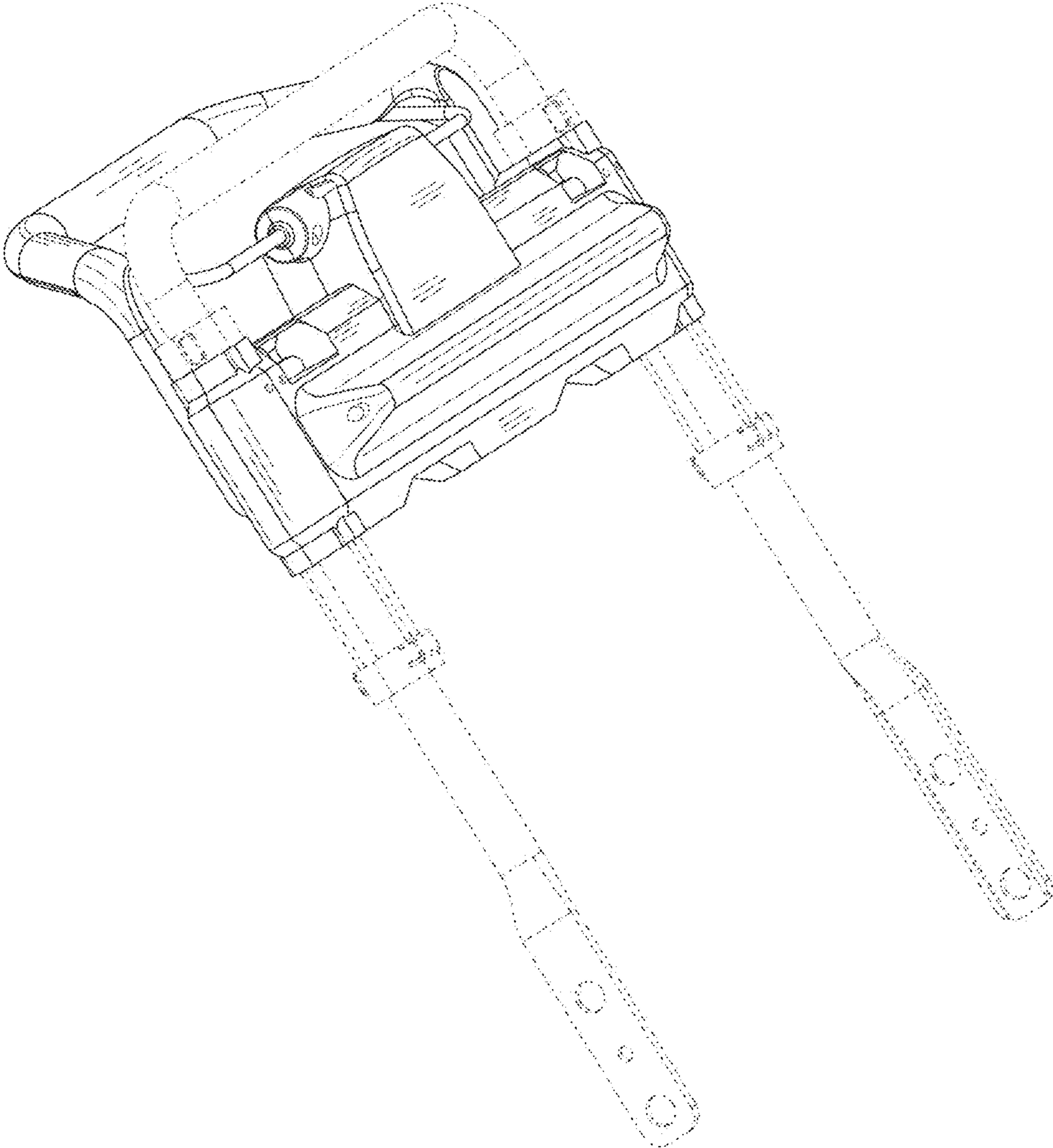


Fig. 6

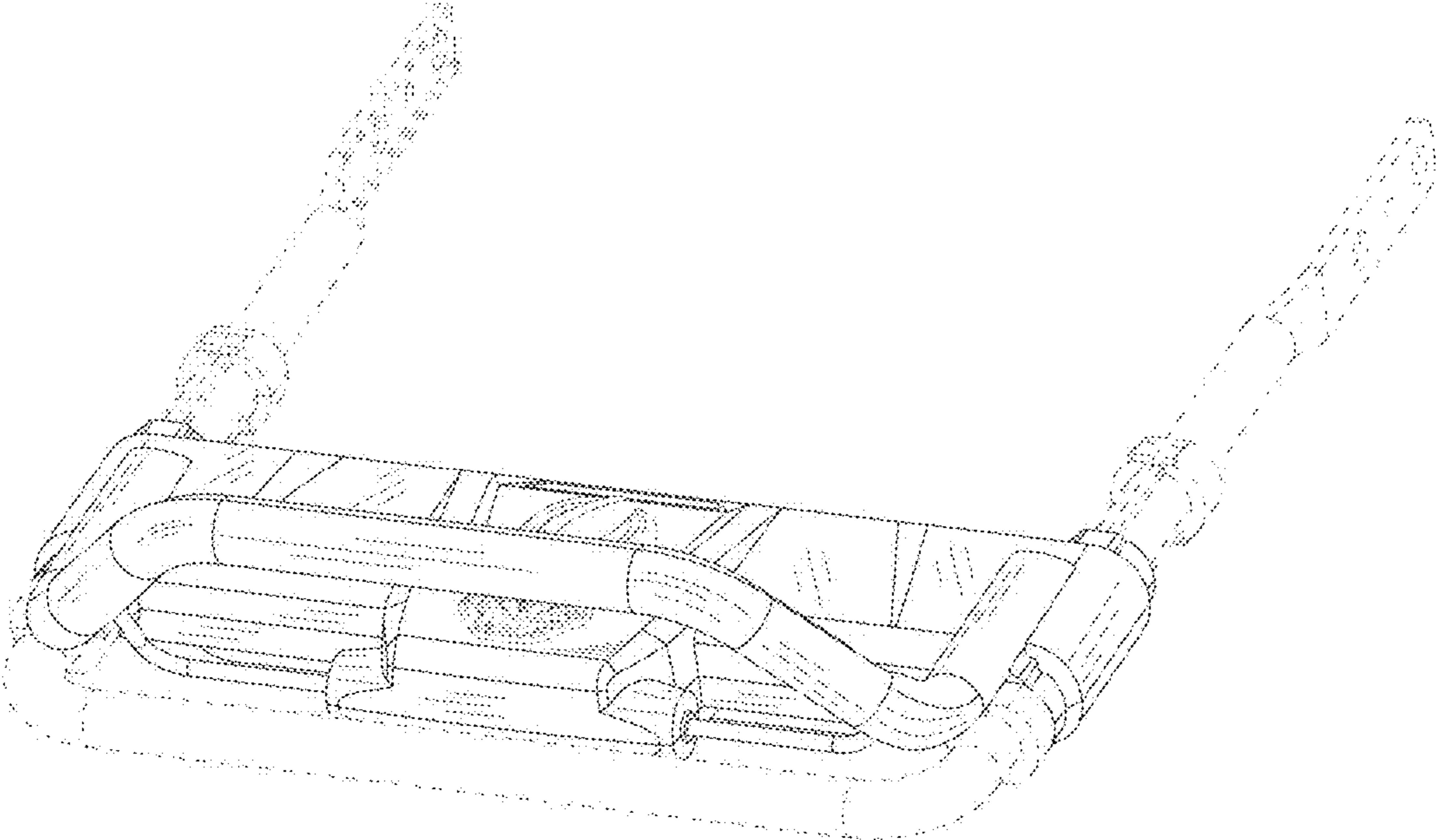


Fig. 7

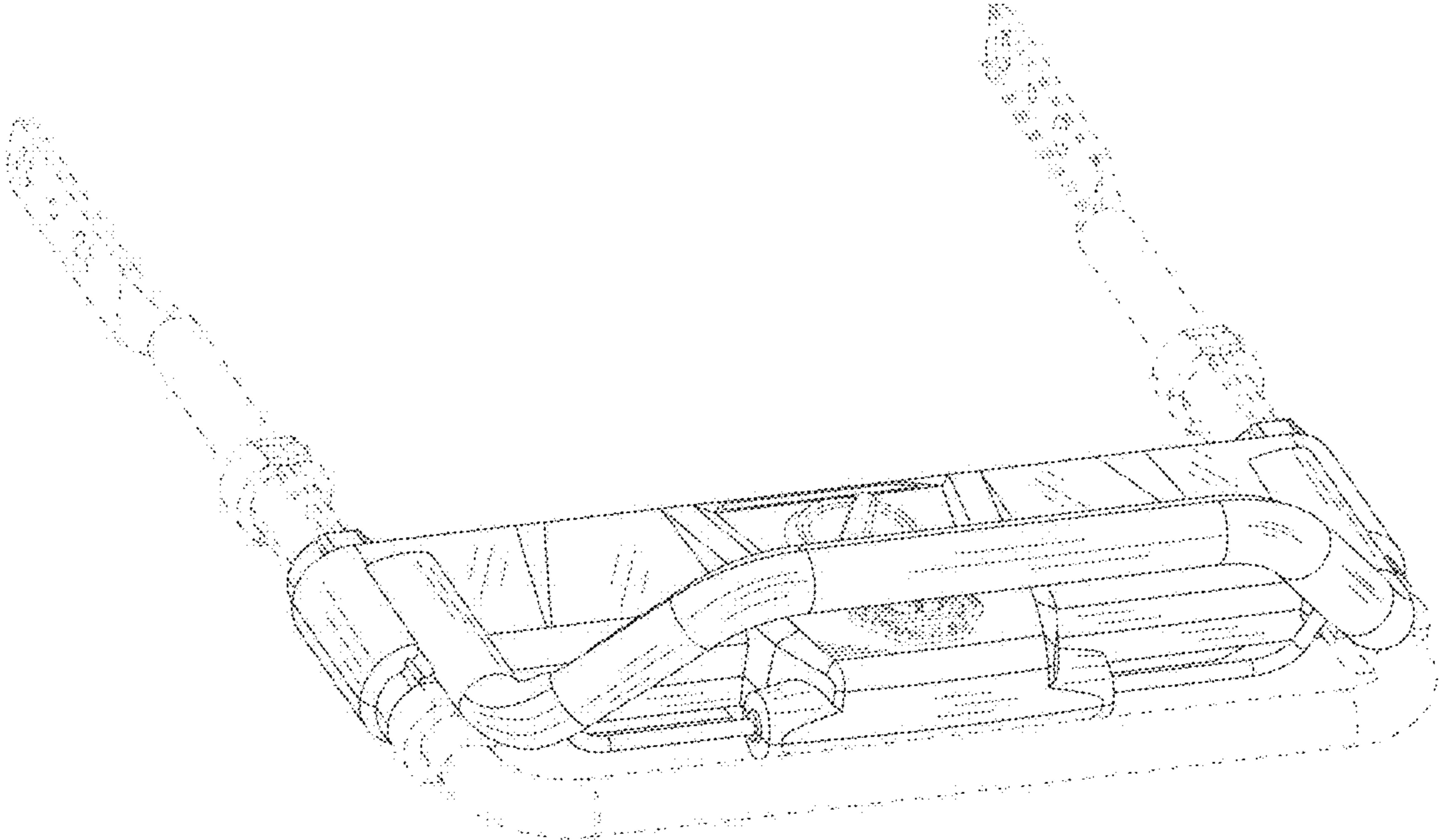


Fig. 8