



US00D805109S

(12) **United States Design Patent** (10) **Patent No.:** **US D805,109 S**
Exley (45) **Date of Patent:** **** Dec. 12, 2017**

(54) **HANDHELD AIR COMPRESSOR**

OTHER PUBLICATIONS

(71) Applicant: **Ontel Products Corporation**, Fairfield, NJ (US)

(72) Inventor: **Ross Exley**, Morristown, NJ (US)

(73) Assignee: **Ontel Products Corporation**, Fairfield, NJ (US)

(**) Term: **15 Years**

(21) Appl. No.: **29/586,808**

(22) Filed: **Dec. 7, 2016**

(51) **LOC (10) Cl.** **15-02**

(52) **U.S. Cl.**
USPC **D15/7**

(58) **Field of Classification Search**
USPC D15/7-9; D23/231, 232, 225; 417/60, 417/235, 265, 321, 355, 358, 363, 359, 417/410.1, 415-416, 405, 900, 269, 539; 60/408, 412; 184/26-37; 415/140-147; 123/495, 509; 137/565.34
CPC F02M 37/04; F02M 37/14; F04B 53/92; F04B 1/005

See application file for complete search history.

(56) **References Cited**

U.S. PATENT DOCUMENTS

D400,892 S	*	11/1998	Williams	D15/9
D421,756 S	*	3/2000	Bonzer	D15/7
D423,519 S	*	4/2000	Bonzer	D15/9
D451,521 S	*	12/2001	Poon	D15/7
D464,976 S		10/2002	Krieger et al.		
D467,941 S	*	12/2002	Duncan	D15/7
D467,942 S	*	12/2002	Duncan	D15/7
D470,863 S	*	2/2003	Williams	D15/7
D487,899 S	*	3/2004	Poon	D15/7
D510,939 S	*	10/2005	Nikolayev	D15/9
D694,268 S	*	11/2013	Ohm	D15/7

<http://www.sears.com/craftsman-c3-19.2-volt-cordless-inflator/p-00911586000P?sid=IDx01192011x000001&gclid=CJvo6YnF8c0CFcxZhgodFXcCtw&gclsrc=aw.ds>; 6 pgs.
<https://www.jerrybickel.com/wheels-tires-tire-gauges-and-air-compressors/air-compressor-rechargeable-jbrc4050cn.html>; 2 pgs.
<http://www.qvc.com/Stanley-Cordless-Air-Compressor-With-Accessory-Tips.product.V33625.html>.

* cited by examiner

Primary Examiner — Ralf T Seifert

(74) *Attorney, Agent, or Firm* — John S. Artz; Dickinson Wright PLLC

(57) **CLAIM**

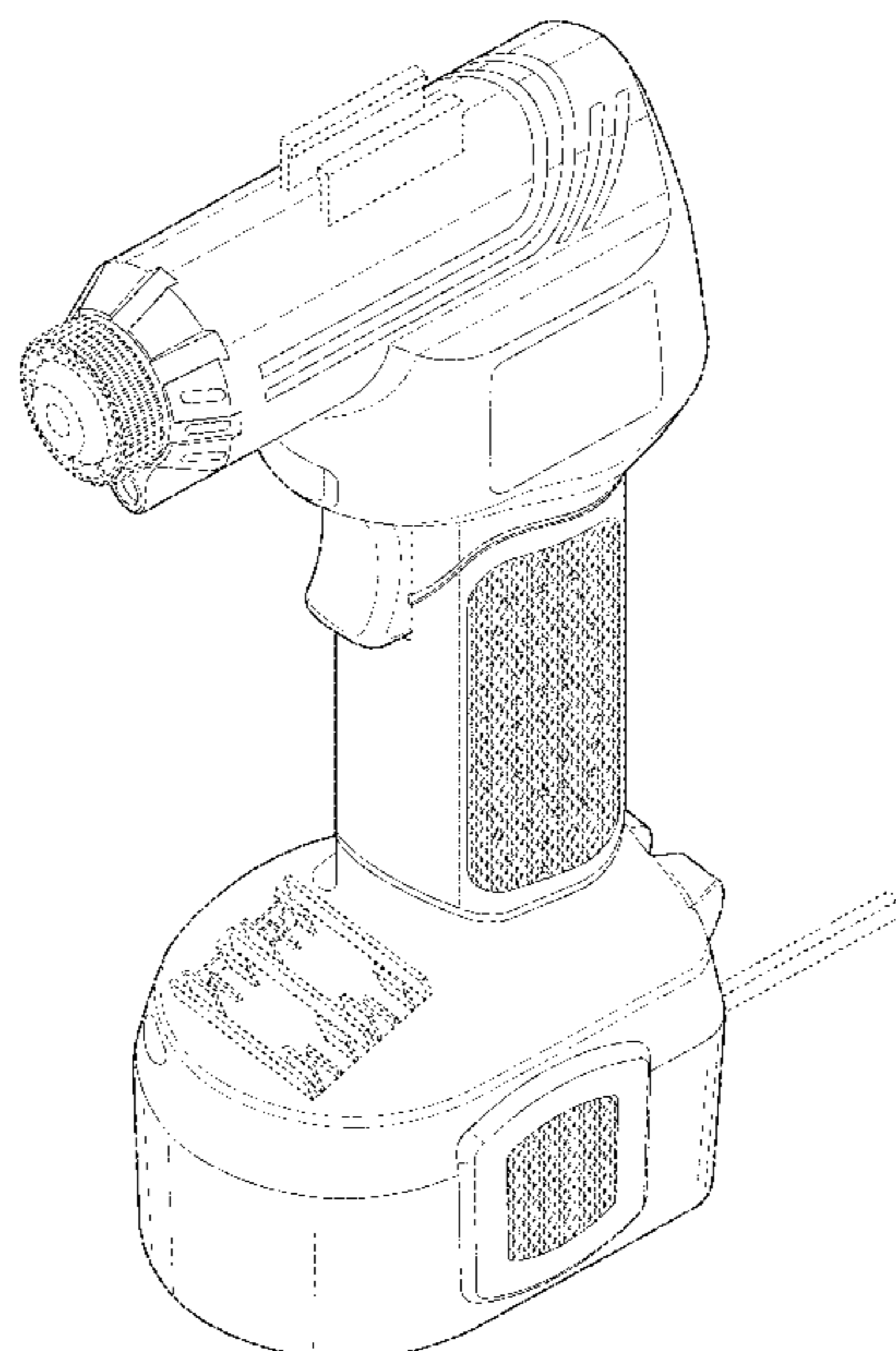
The ornamental design for a handheld air compressor, as shown and described.

DESCRIPTION

FIG. 1 is a perspective view of a handheld air compressor; FIG. 2 is a left side view of the handheld air compressor of FIG. 1; FIG. 3 is a right side view of the handheld air compressor of FIG. 1; FIG. 4 is a front view of the handheld air compressor of FIG. 1; FIG. 5 is a back view of the handheld air compressor of FIG. 1; FIG. 6 is a top view of the handheld air compressor of FIG. 1; and, FIG. 7 is a bottom view of the handheld air compressor of FIG. 1.

The broken lines shown in the drawings are included for the purpose of illustrating an environmental structure and form no part of the claimed design.

1 Claim, 5 Drawing Sheets



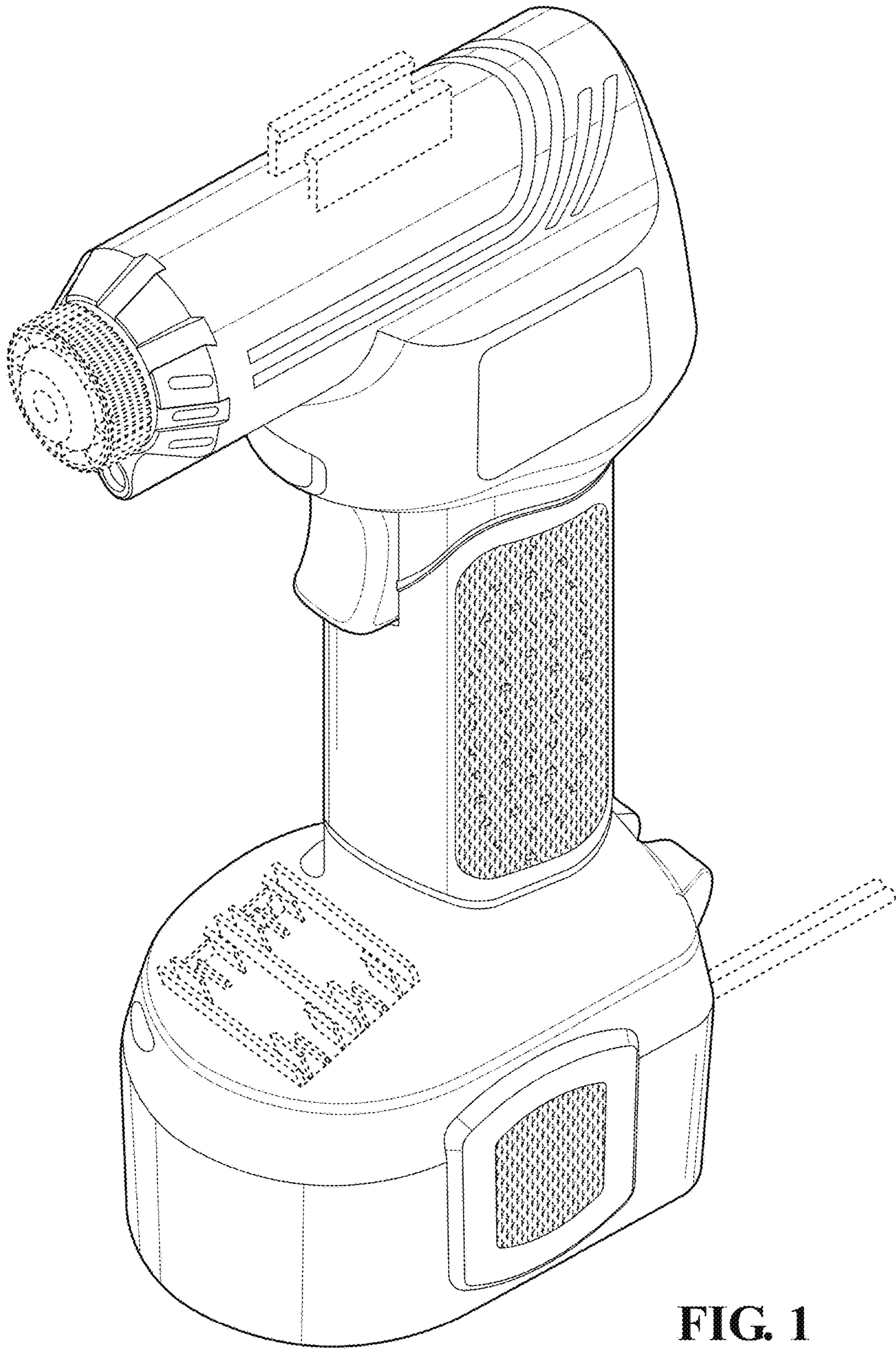


FIG. 1

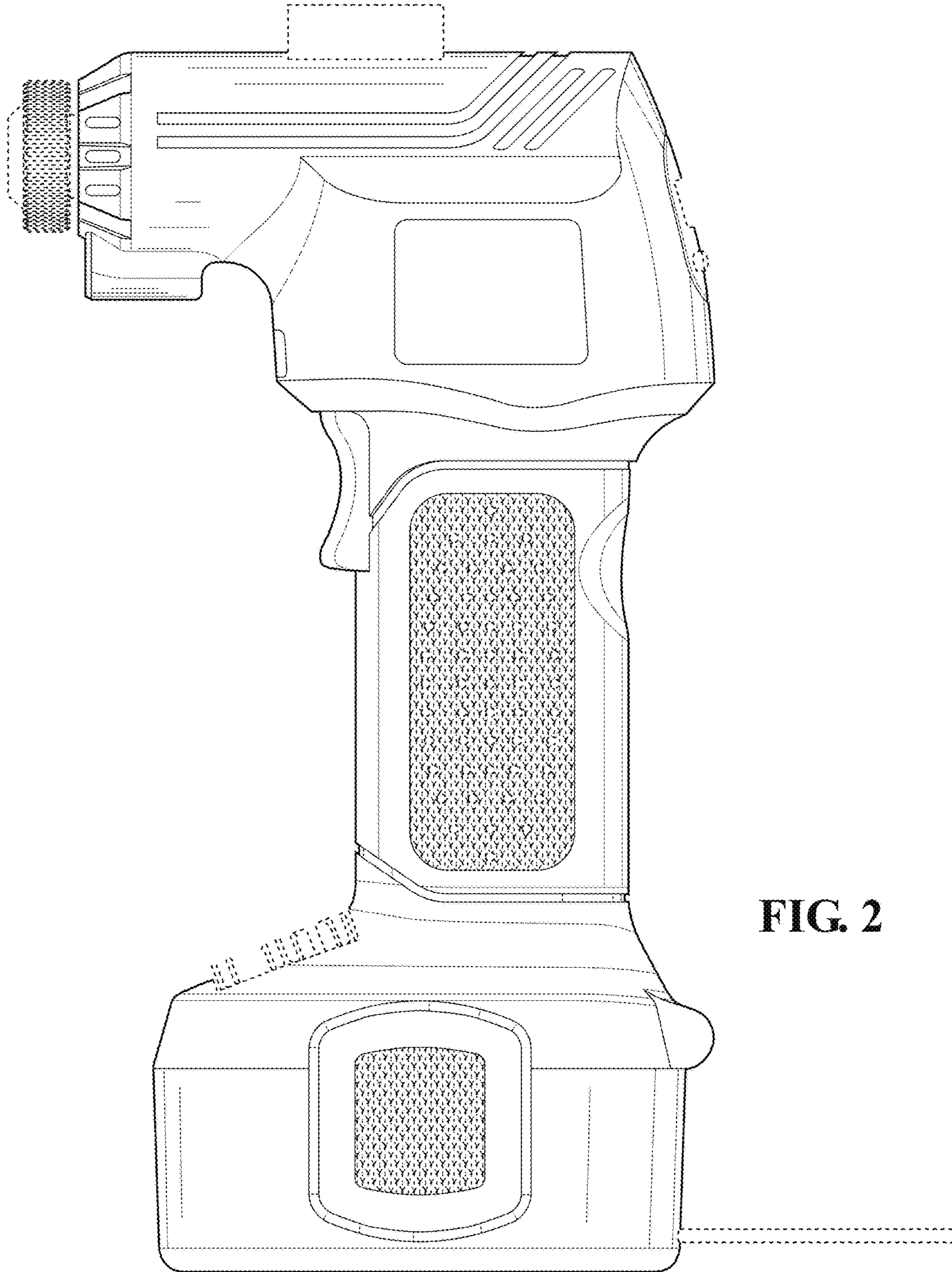
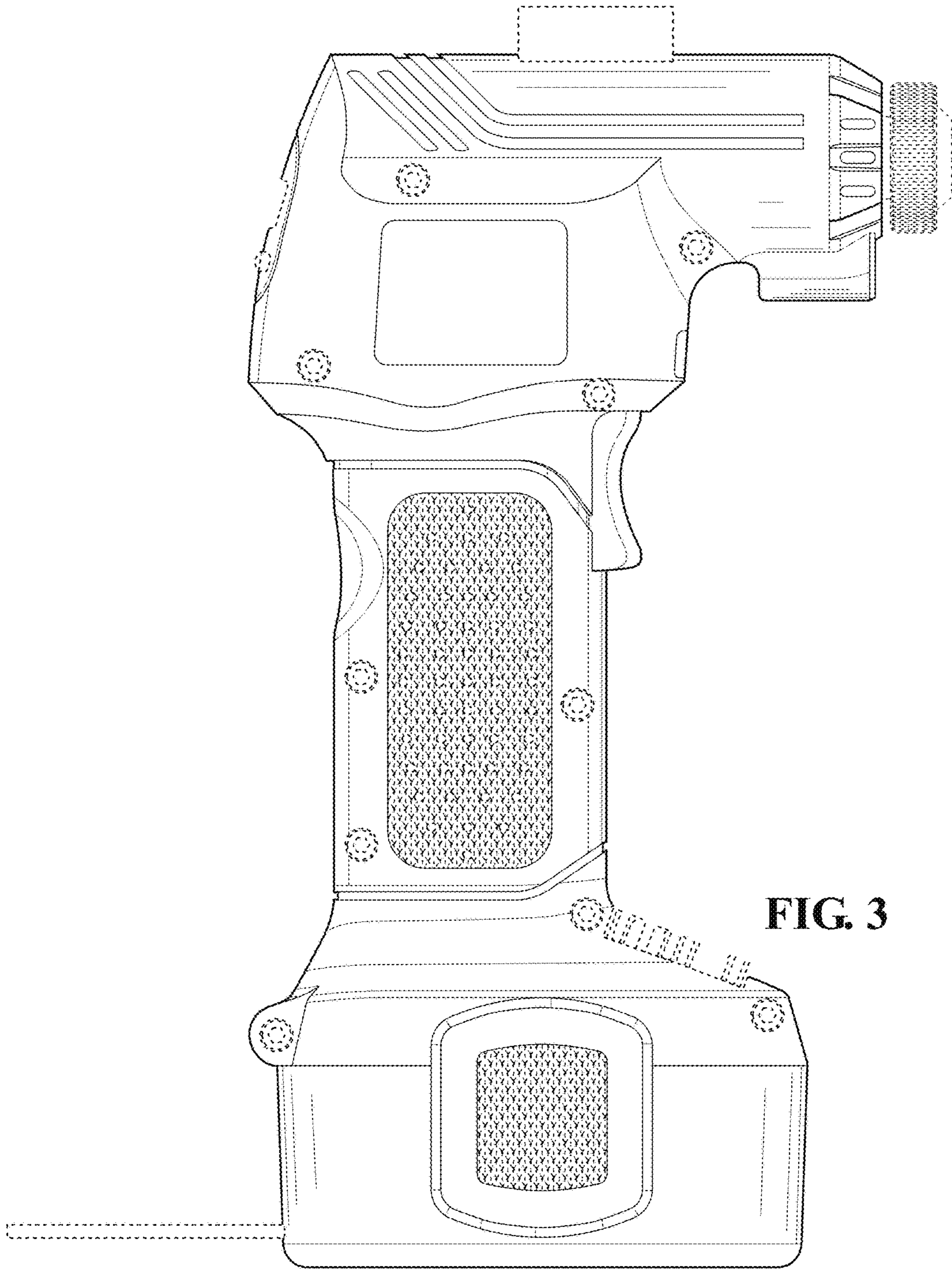


FIG. 2



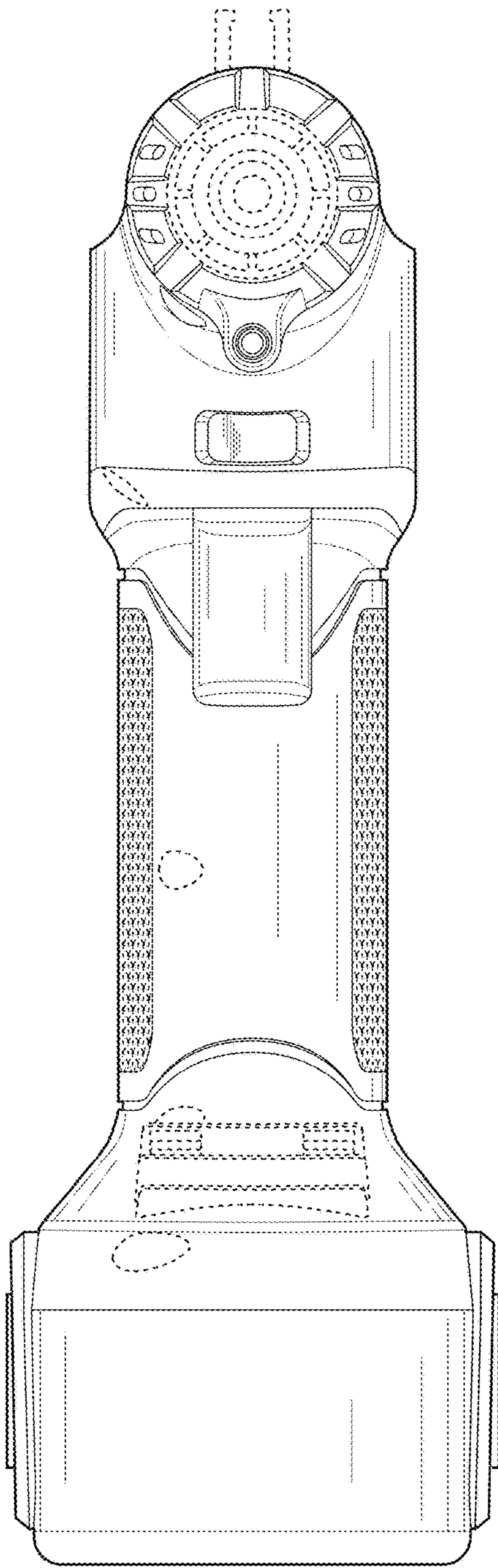


FIG. 4

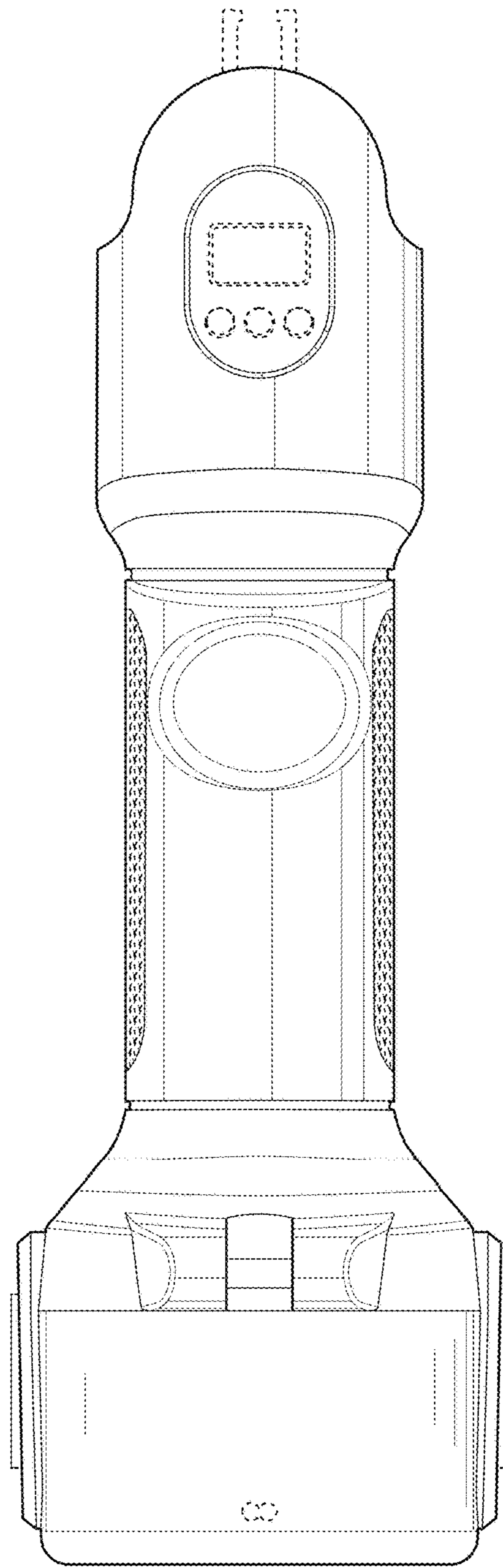


FIG. 5

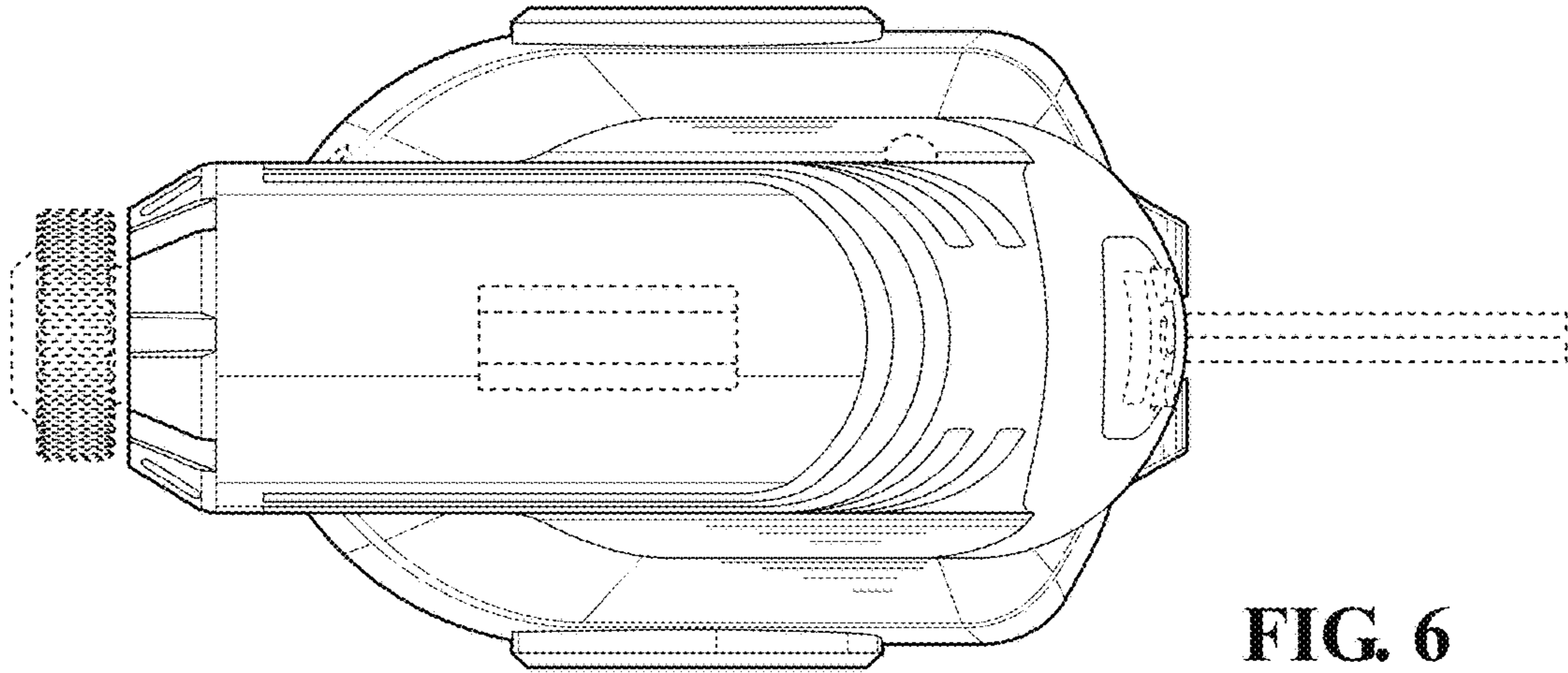


FIG. 6

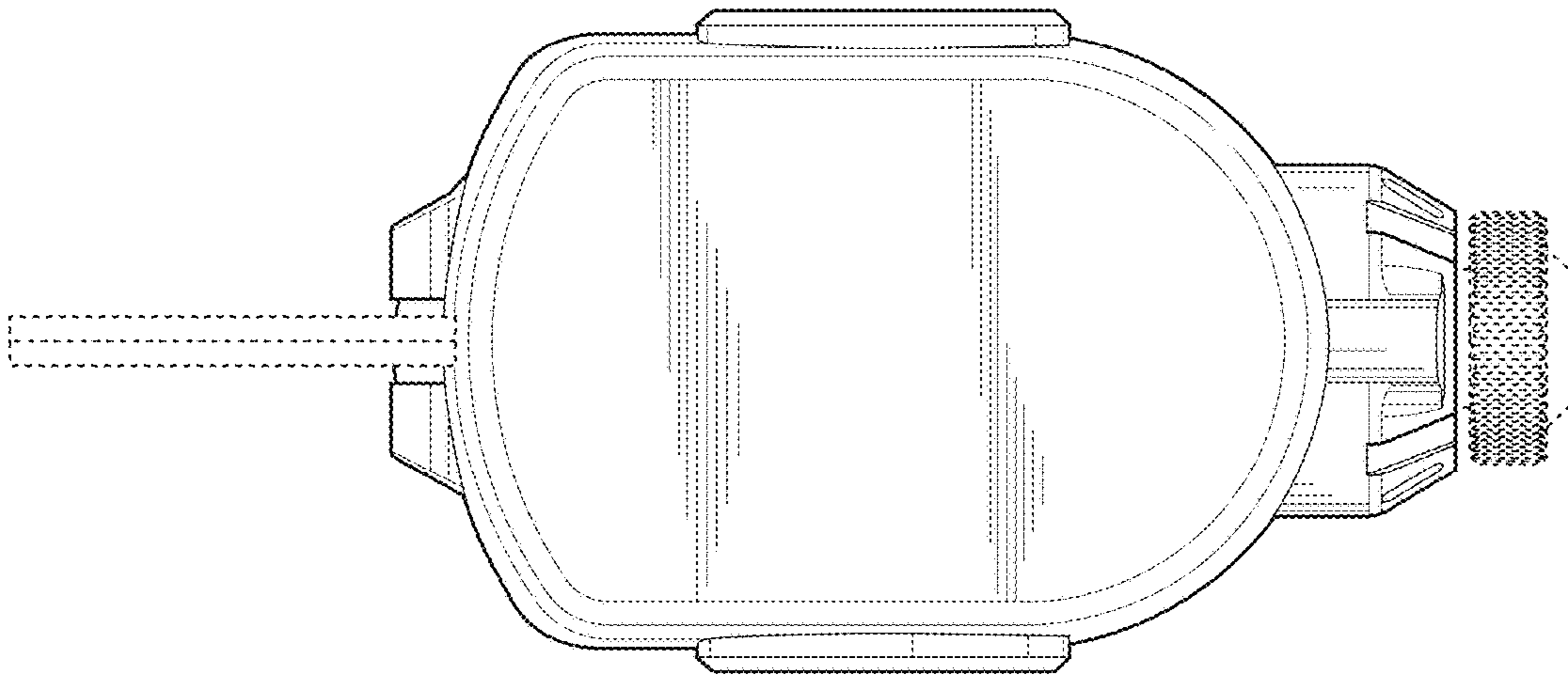


FIG. 7