



US00D805108S

(12) **United States Design Patent** (10) **Patent No.:** **US D805,108 S**
Zhang (45) **Date of Patent:** **** Dec. 12, 2017**

(54) **VACUUM PUMP**

(71) Applicant: **Dezhi Zhang**, Shanghai (CN)

(72) Inventor: **Dezhi Zhang**, Shanghai (CN)

(**) Term: **15 Years**

(21) Appl. No.: **29/550,392**

(22) Filed: **Jan. 4, 2016**

(30) **Foreign Application Priority Data**

Aug. 25, 2015 (CN) 2015 3 0321311

(51) **LOC (10) Cl.** **15-02**

(52) **U.S. Cl.**
USPC **D15/7**

(58) **Field of Classification Search**
USPC D15/7-9; D23/231, 232, 225; 417/60,
417/235, 265, 321, 355, 358, 363, 359,
417/410.1, 415-416, 405, 900, 269, 539;
60/408, 412; 184/26-37; 415/140-147;
123/495, 509; 137/565.34
CPC F02M 37/04; F02M 37/14; F04B 53/92;
F04B 1/005

See application file for complete search history.

(56) **References Cited**

U.S. PATENT DOCUMENTS

D400,892 S * 11/1998 Williams D15/9
D415,500 S * 10/1999 Poon D15/7

D421,756 S * 3/2000 Bonzer D15/7
D464,976 S * 10/2002 Krieger D15/9
D510,939 S * 10/2005 Nikolayev D15/9
D525,823 S * 8/2006 Littmann D7/368
D694,268 S * 11/2013 Ohm D15/7
D755,925 S * 5/2016 Park D15/7
D759,201 S * 6/2016 Wu D15/7
D771,718 S * 11/2016 Liao D15/7

* cited by examiner

Primary Examiner — Ralf Seifert

(74) *Attorney, Agent, or Firm* — STIP Law Group, LLC

(57) **CLAIM**

The ornamental design for a vacuum pump, as shown and described.

DESCRIPTION

FIG. 1 is a perspective view of the vacuum pump, showing the present design.

FIG. 2 is a front view thereof.

FIG. 3 is a rear view thereof.

FIG. 4 is a left side view thereof.

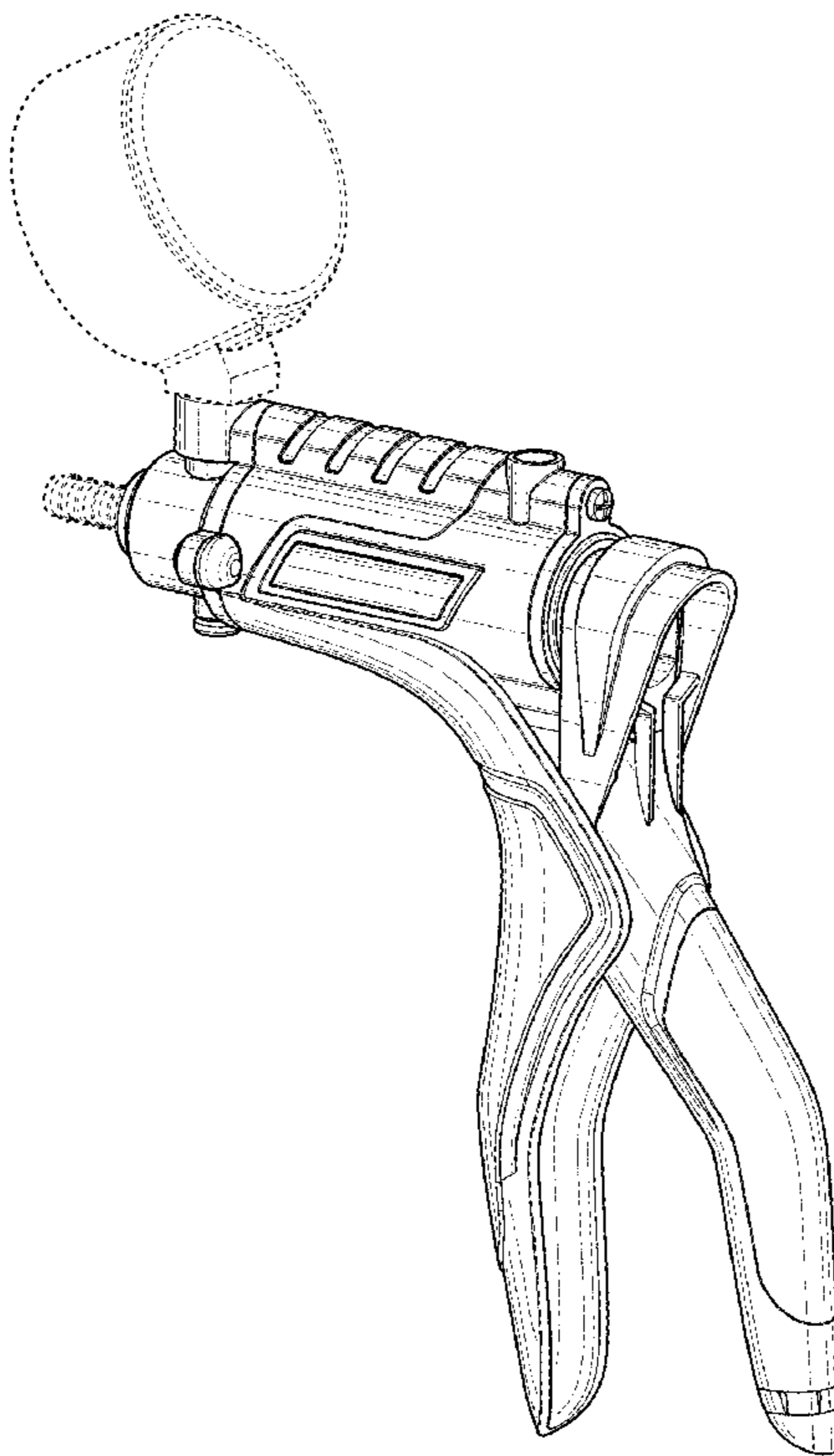
FIG. 5 is a right side view thereof.

FIG. 6 is a top view of thereof; and,

FIG. 7 is a bottom view thereof.

The broken lines are included for the purpose of illustrating portions of the vacuum pump that form no part of the claimed design.

1 Claim, 5 Drawing Sheets



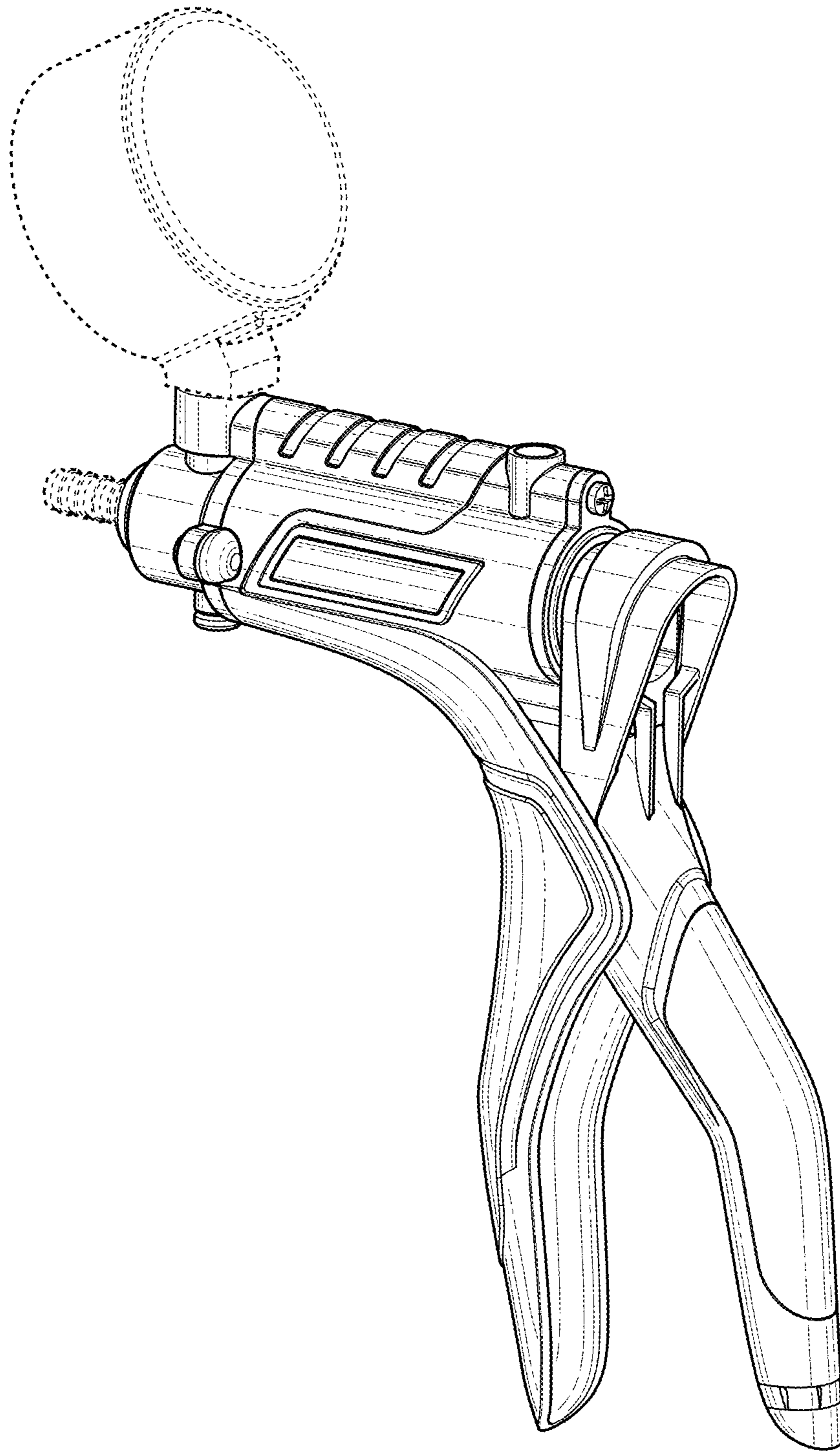


FIG. 1

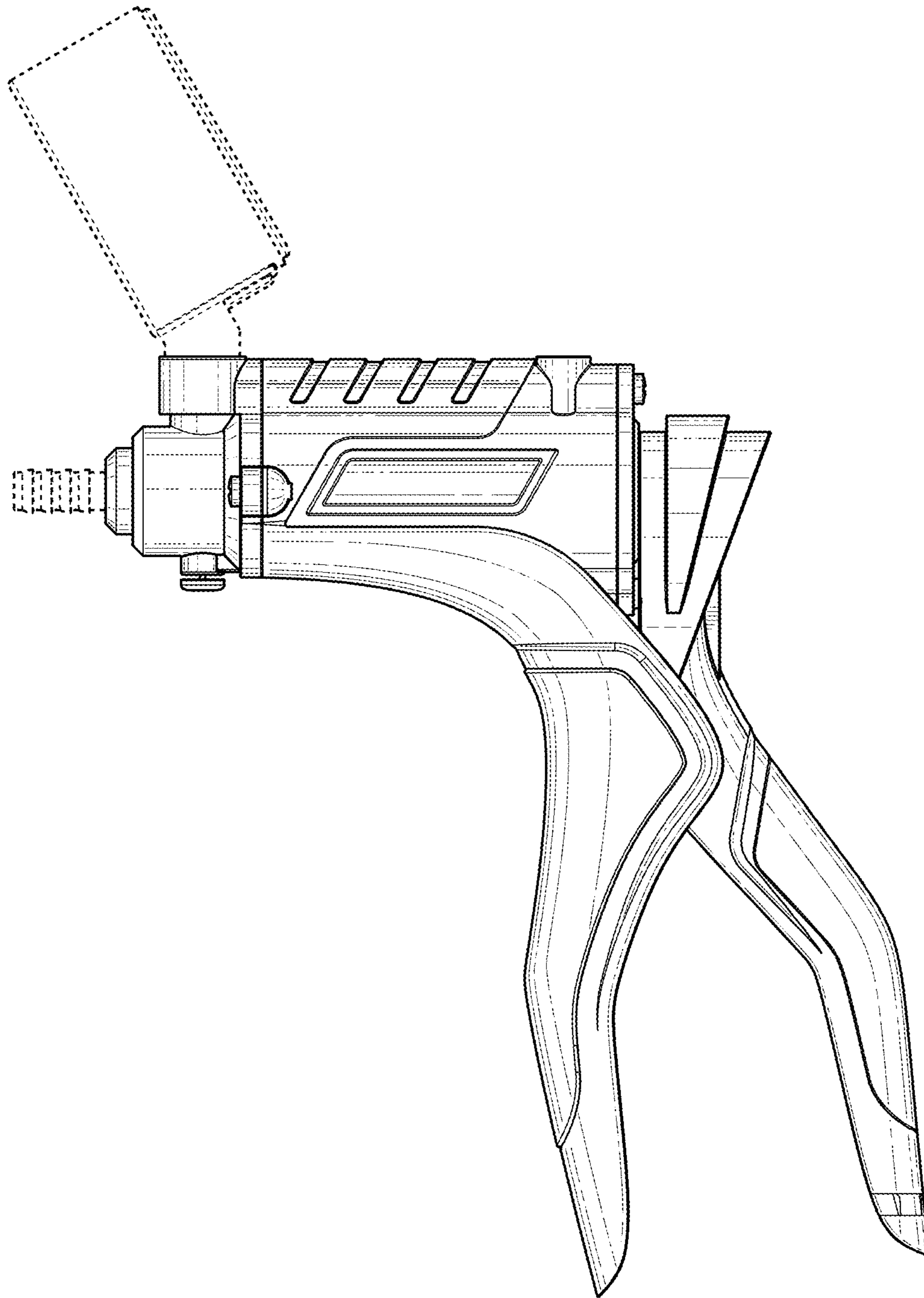


FIG. 2

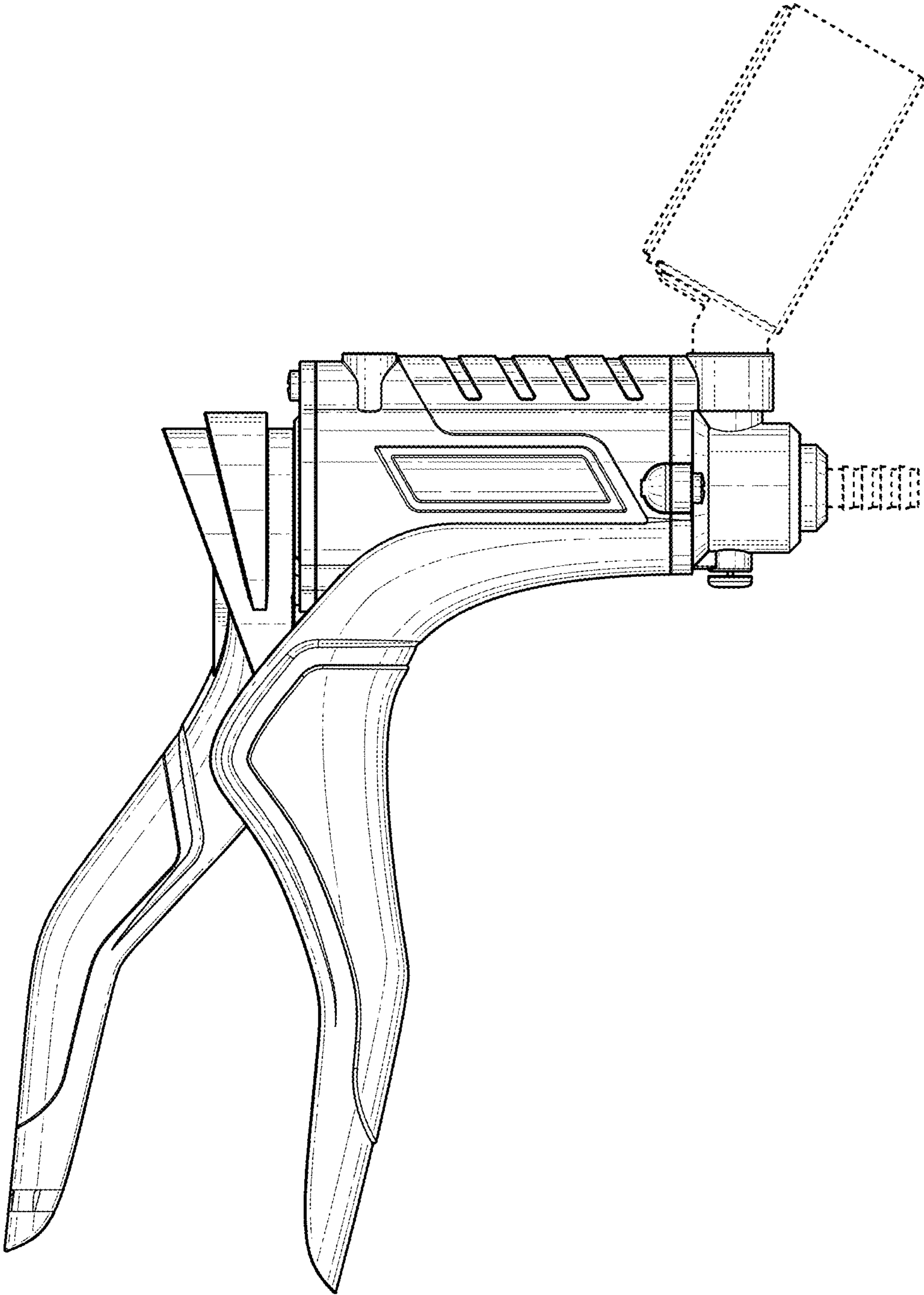


FIG. 3

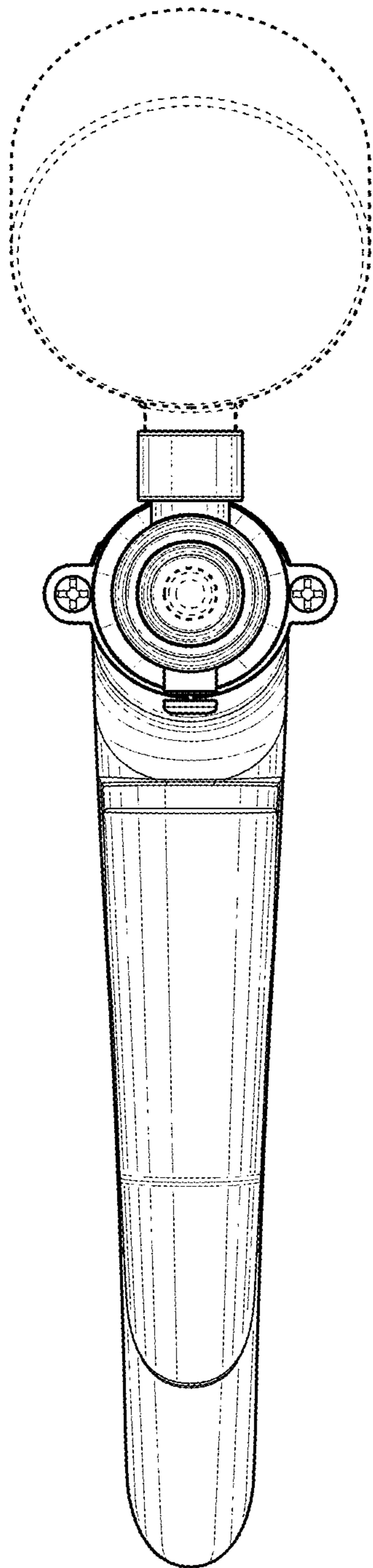


FIG. 4

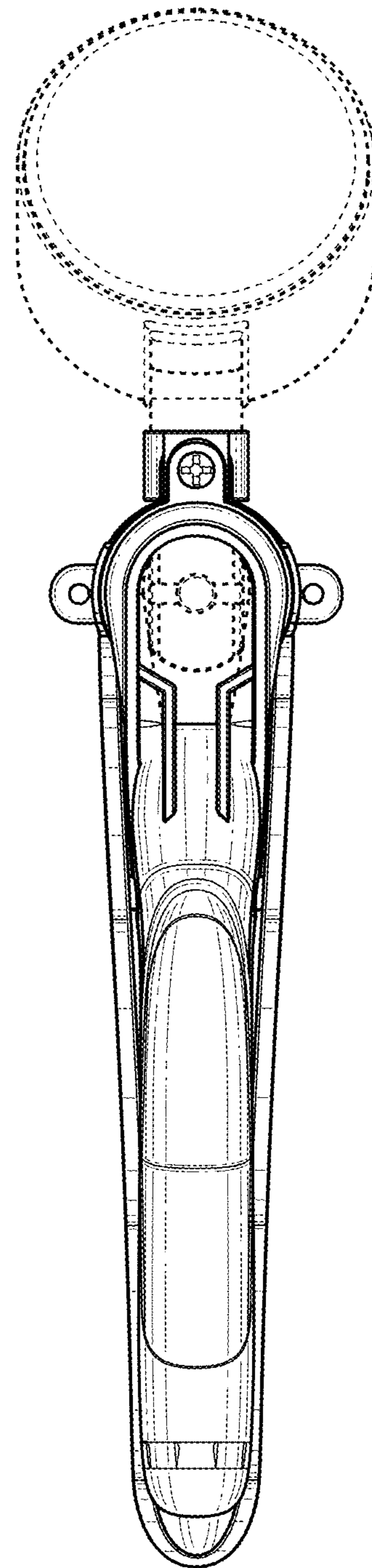


FIG. 5

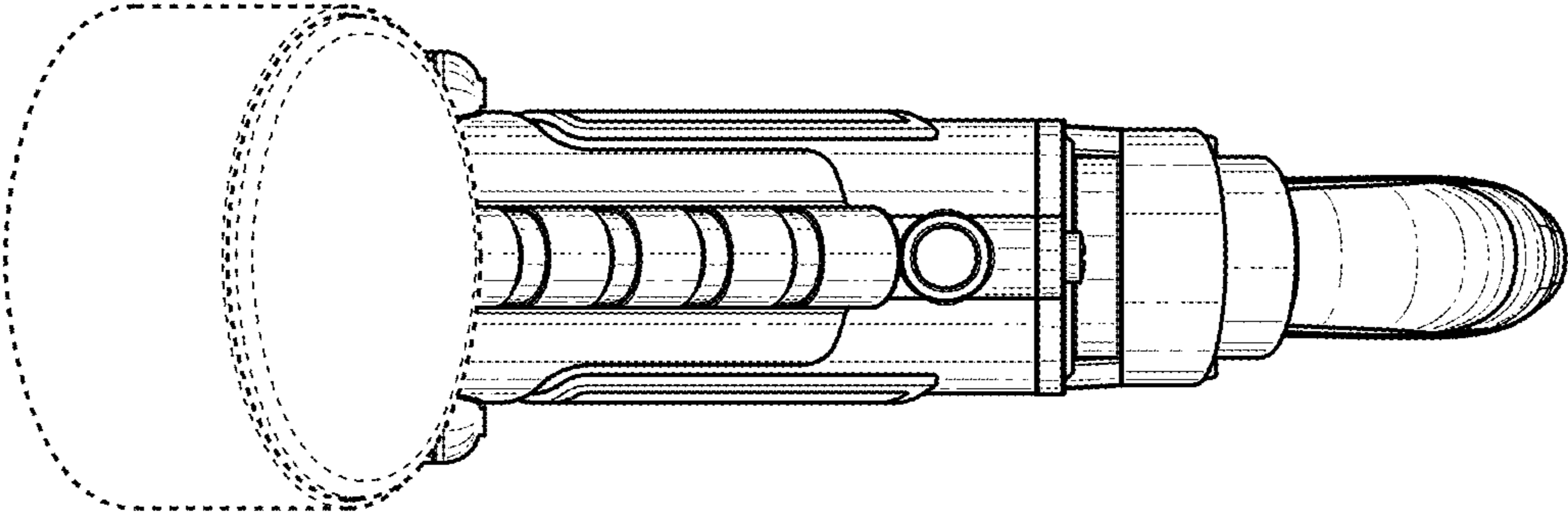


FIG. 6

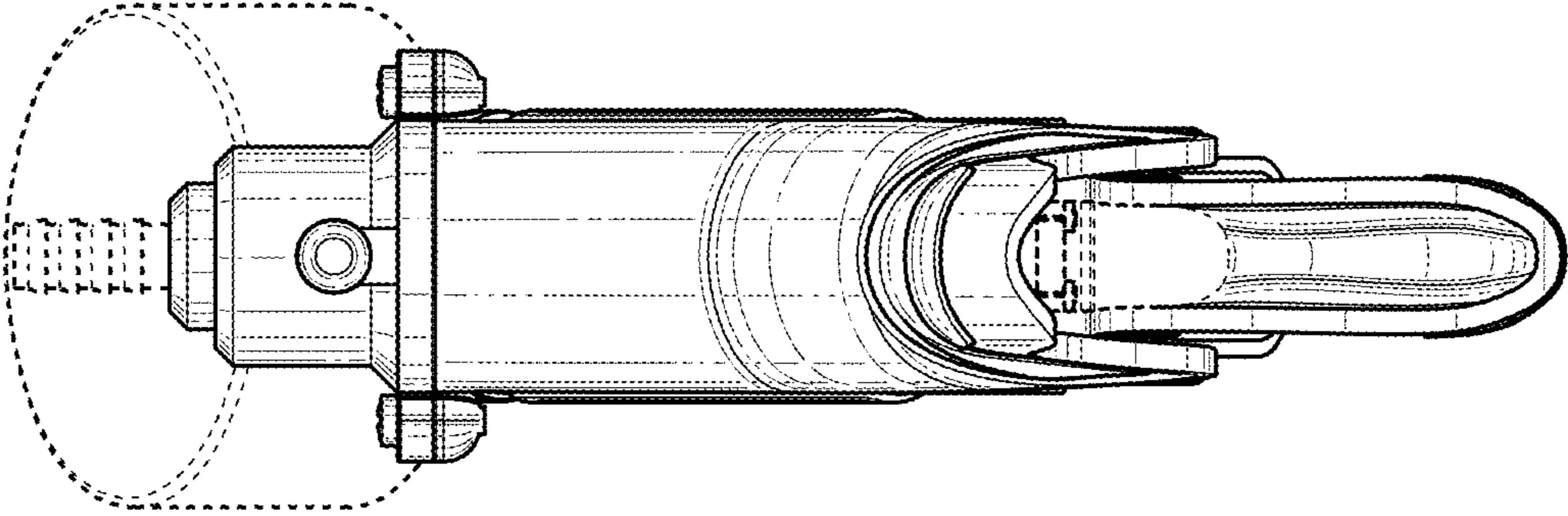


FIG. 7