



US00D805106S

(12) **United States Design Patent** (10) **Patent No.:** **US D805,106 S**
Jones (45) **Date of Patent:** **** Dec. 12, 2017**

(54) **PRE-CLEANER INSERT FOR VEHICLE SNORKEL**

(71) Applicant: **CENTRIFUGAL UNIVERSAL FILTRATION TECHNOLOGY (PTY) LTD**, Gautent (ZA)

(72) Inventor: **Stuart Loxham Jones**, Cape Town (ZA)

(73) Assignee: **CENTRIFUGAL UNIVERSAL FILTRATION TECHNOLOGY (PTY) LTD**, Gauteng (ZA)

(**) Term: **15 Years**

(21) Appl. No.: **29/562,175**

(22) Filed: **Apr. 22, 2016**

(51) **LOC (10) Cl.** **15-01**

(52) **U.S. Cl.**
USPC **D15/5**

(58) **Field of Classification Search**
USPC D15/5; D12/400, 194, 206, 418; D23/370, 371, 393
CPC F02M 35/10131; F02M 35/10; F02M 35/10006; F02M 35/048; F02M 35/10019; F02M 35/10091; F02M 23/003; F02M 35/0201; F02M 35/10072; F02M 35/10124; F02M 35/10163; F02M 35/10347; F02M 35/08; F02M 35/0226; F02M 35/164; F02M 35/10013; B60K 13/02; B60Y 2200/20
See application file for complete search history.

(56) **References Cited**

U.S. PATENT DOCUMENTS

D637,205 S * 5/2011 Luxon D12/400
D687,072 S * 7/2013 Bennett D15/5

9,255,555 B2 * 2/2016 Cho F02M 35/0203
D787,559 S * 5/2017 Nezar D15/5
D788,175 S * 5/2017 Nezar D15/5
2009/0151308 A1 * 6/2009 Jung F02M 35/022
55/337
2014/0008136 A1 * 1/2014 Bennett B60K 13/02
180/68.3
2015/0052859 A1 * 2/2015 Cho F02M 35/0201
55/357
2015/0240760 A1 * 8/2015 Lewington F02M 35/10013
95/269
2015/0267655 A1 * 9/2015 Madeira F02M 35/164
123/184.21
2015/0285195 A1 * 10/2015 Cho F02M 35/0203
123/198 E
2016/0243479 A1 * 8/2016 Gossez B01D 45/16
2017/0096971 A1 * 4/2017 Kaufmann F02M 35/02416

* cited by examiner

Primary Examiner — T. Chase Nelson

Assistant Examiner — Ania Aman

(74) *Attorney, Agent, or Firm* — Workman Nydegger

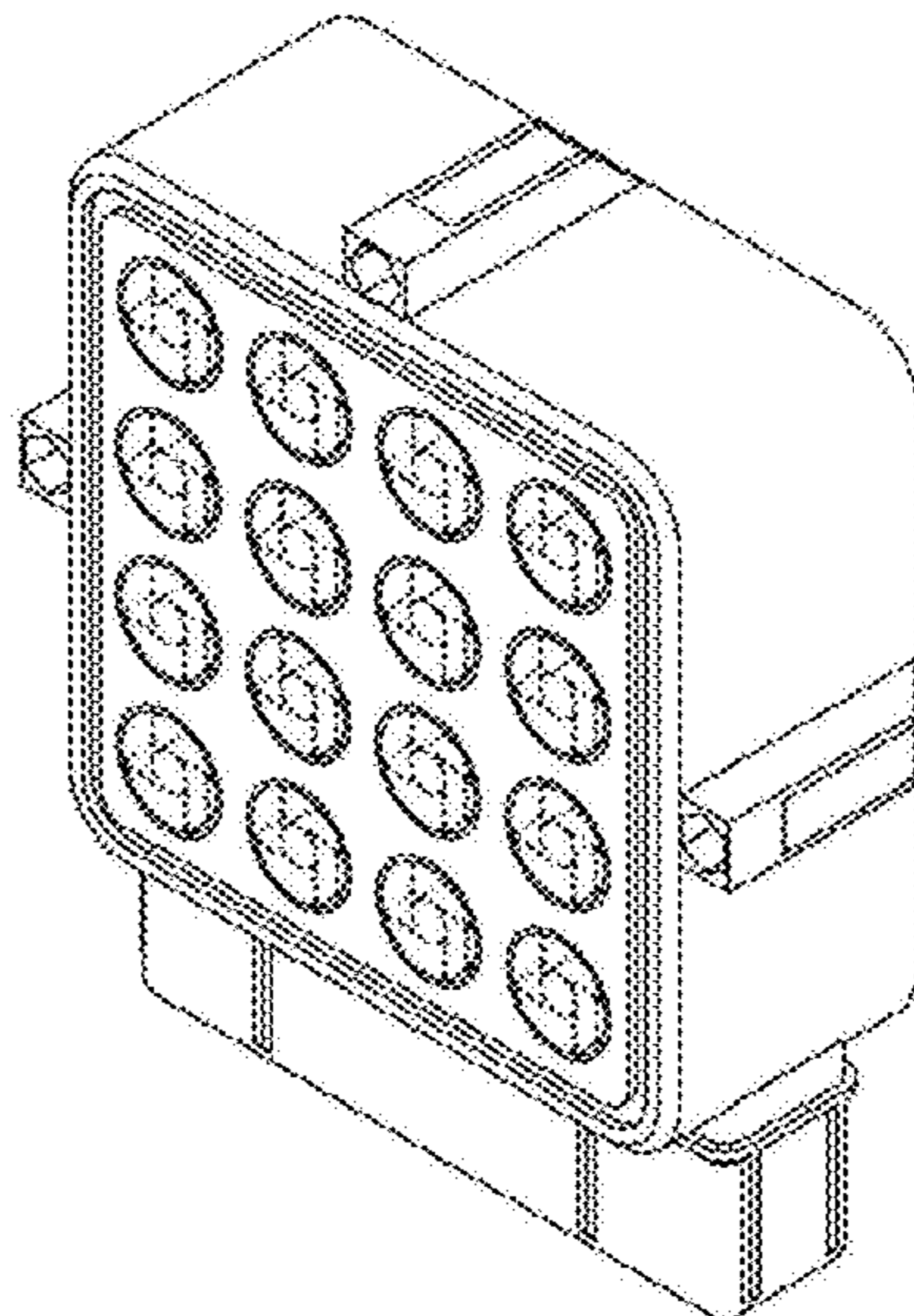
(57) **CLAIM**

The ornamental design for a pre-cleaner insert for vehicle snorkel, as shown and described.

DESCRIPTION

FIG. 1 is a front view;
FIG. 2 is a side view;
FIG. 3 is a top view; and,
FIG. 4 is a three dimensional view.
The broken lines shown in the drawings are for the purpose of illustrating portions of the article that form no part of the claimed design.

1 Claim, 2 Drawing Sheets



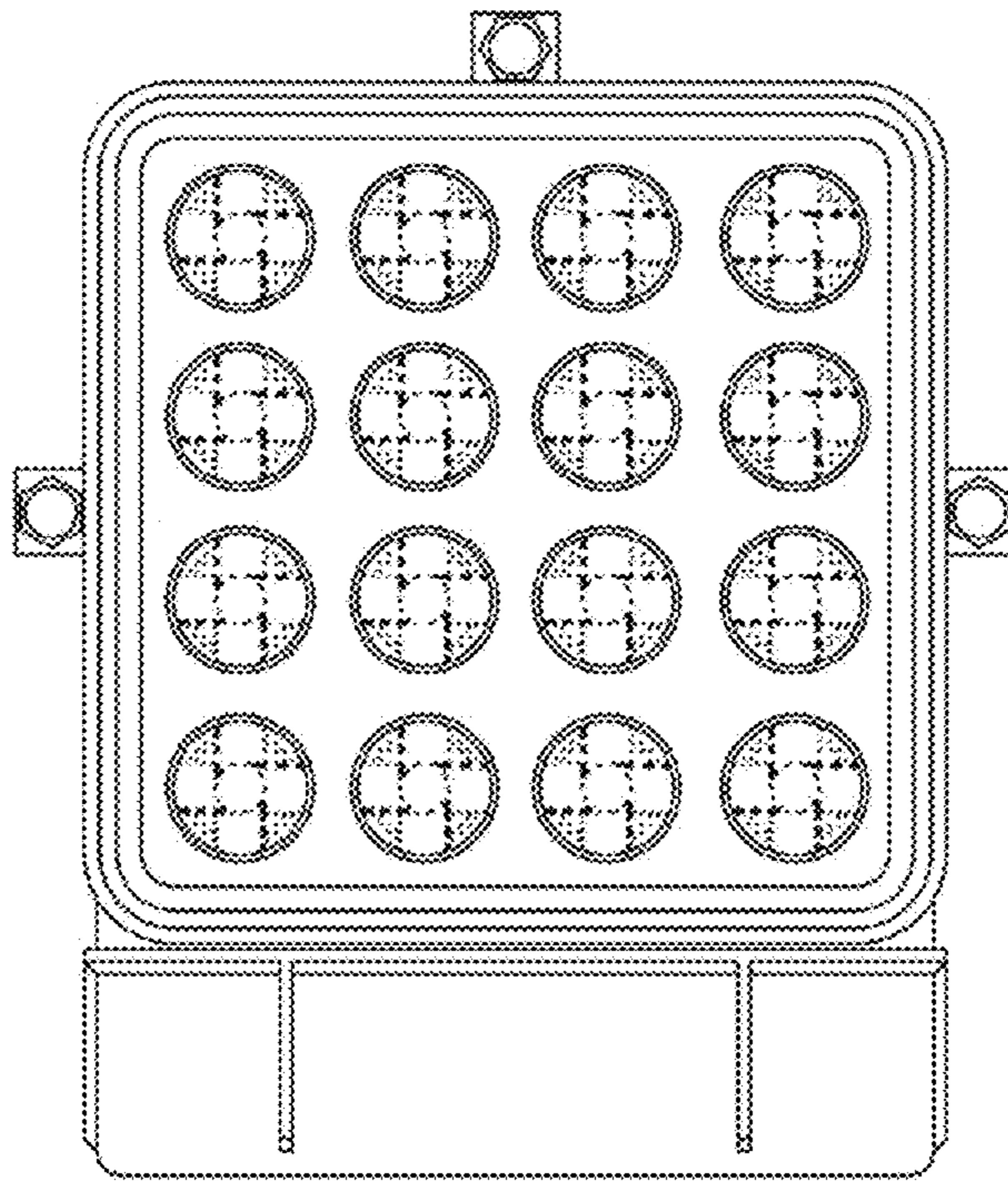


FIG. 1

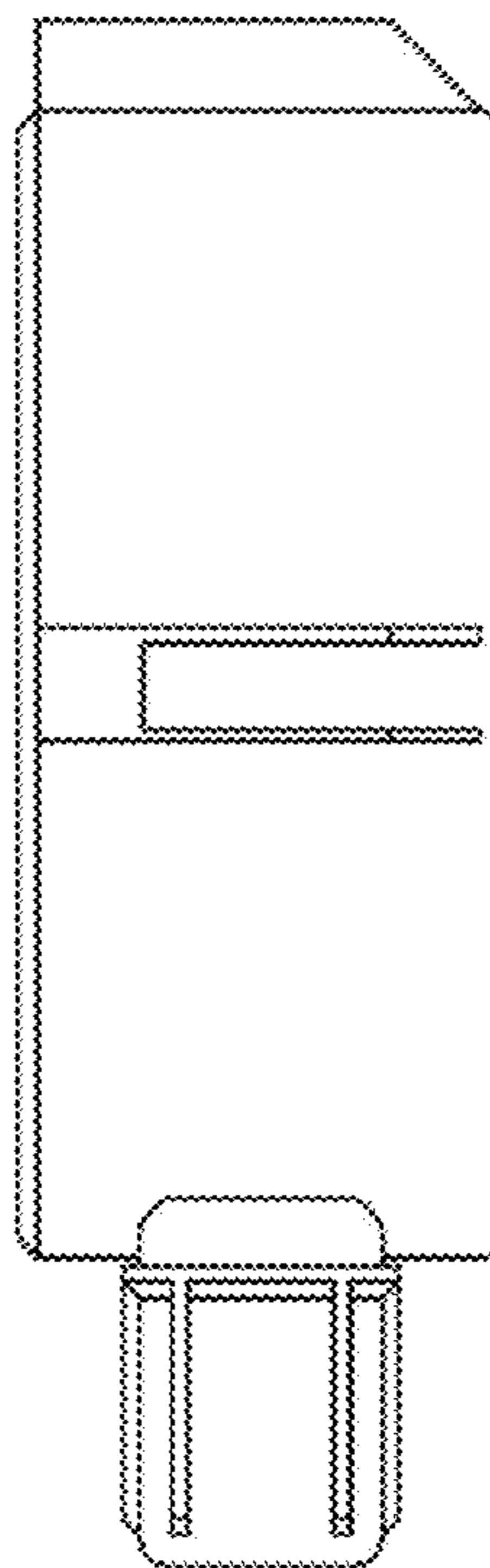


FIG. 2

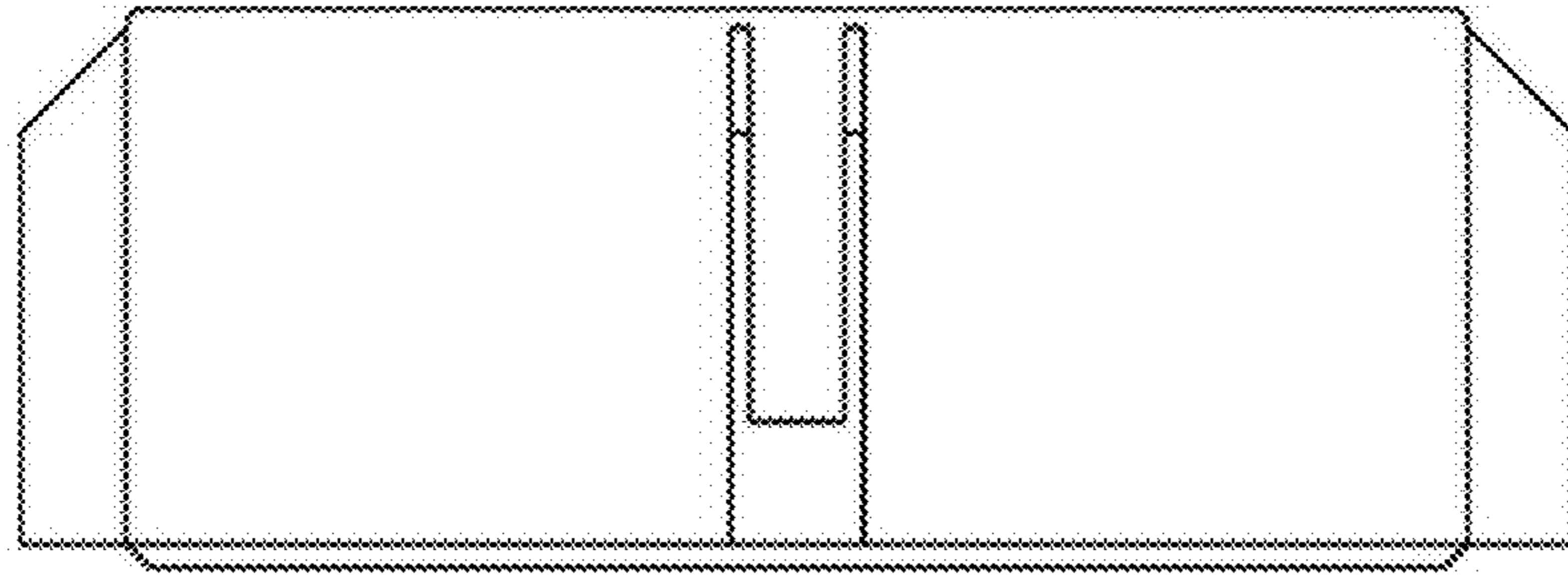


FIG. 3

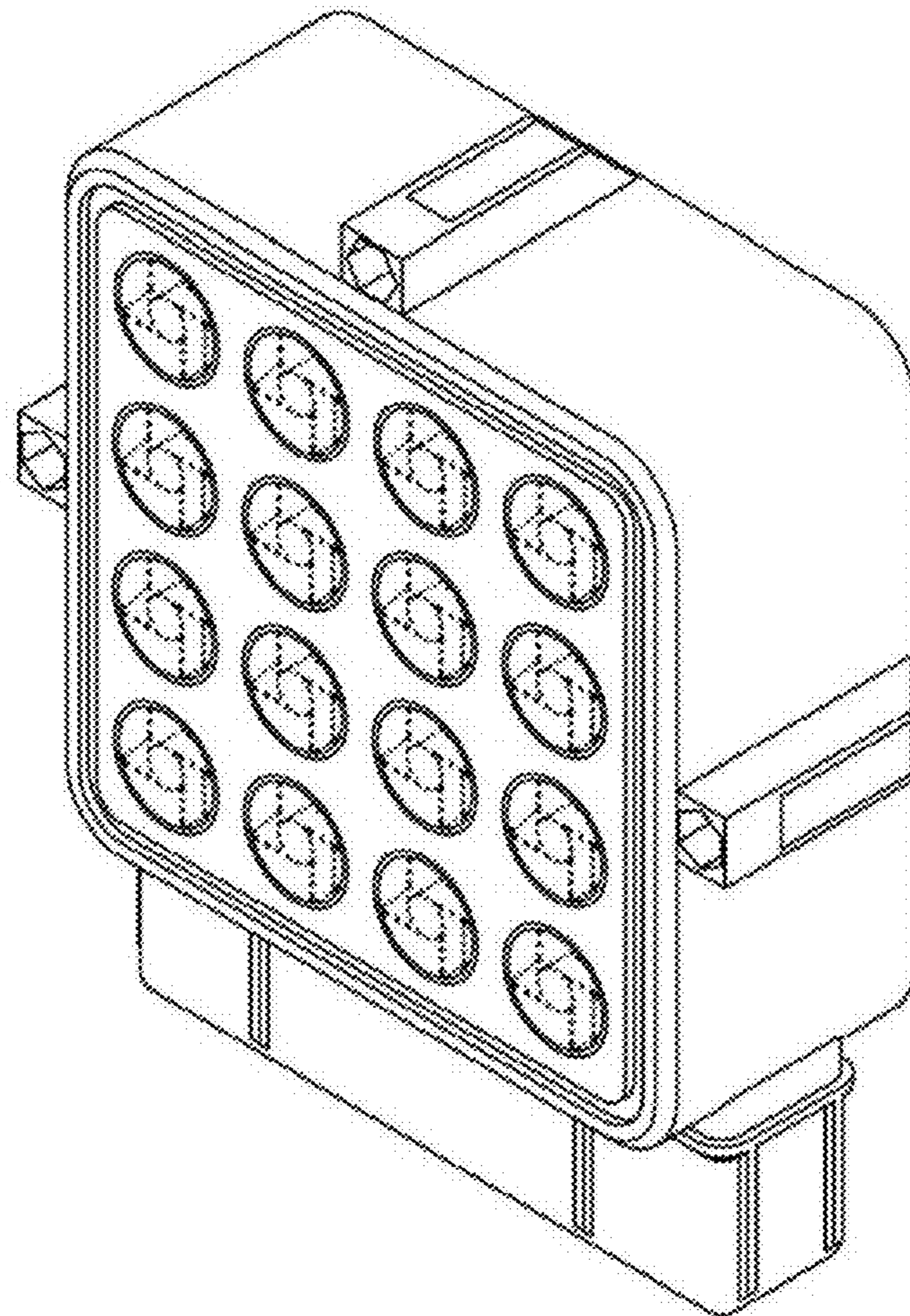


FIG. 4