

US00D805105S

(12) **United States Design Patent** (10) **Patent No.:** **US D805,105 S**
Lo (45) **Date of Patent:** **** Dec. 12, 2017**

(54) **FRONT FACE OF A SOUND AND LIGHT CONTROLLER**

(74) *Attorney, Agent, or Firm* — Muncy, Geissler, Olds & Lowe, P.C.

(71) Applicant: **UNIFORM INDUSTRIAL CORP.,**
New Taipei (TW)

(57) **CLAIM**

I claim the ornamental design for a front face of a sound and light controller, as shown and described.

(72) Inventor: **Attlee Lo,** New Taipei (TW)

DESCRIPTION

(73) Assignee: **UNIFORM INDUSTRIAL CORPORATION,** New Taipei (TW)

FIG. 1 is a front perspective view of a front face of a sound and light controller showing my new design;

(**) Term: **15 Years**

FIG. 2 is a front elevational view thereof;

(21) Appl. No.: **29/577,313**

FIG. 3 is a rear elevational view thereof;

(22) Filed: **Sep. 12, 2016**

FIG. 4 is a left side elevational view thereof;

(51) **LOC (10) Cl.** **14-03**

FIG. 5 is a right side elevational view thereof;

(52) **U.S. Cl.**

FIG. 6 is a top plan view thereof;

USPC **D14/497**

FIG. 7 is a bottom plan view thereof;

(58) **Field of Classification Search**

FIG. 8 is a rear perspective view thereof;

USPC D14/204, 207, 209.1, 210–216, 172, 168,

FIG. 9 is another rear perspective view thereof, shown in an alternate environmental use;

D14/356, 474, 496, 137, 188, 203.1, 265,

FIG. 10 is another rear perspective view similar to FIG. 9 and shown in further alternate environment;

D14/148, 150, 157; 181/143, 144, 147,

FIG. 11 is a front elevational view similar to FIG. 1, shown in alternate light display;

181/148, 150–153, 157, 198, 199;

FIG. 12 is a front elevational view of FIG. 11, shown in further alternate light display;

381/300–303, 306, 332, 333, 336, 345,

FIG. 13 is a front perspective view of FIG. 12, shown in environmental use;

381/361–364, 386–388; 52/660, 663,

FIG. 14 is a rear perspective view of FIG. 12; and,

52/670, 673, 676; 49/50

FIG. 15 is a front perspective view of FIG. 11, shown in further environmental use.

CPC H04R 1/02; H04R 1/023; H04R 1/026;

H04R 1/30; H04R 3/00; H04R 9/06;

H04R 11/02; H04R 19/01

See application file for complete search history.

The dark black strip on the front illustrates the light display.

The broken lines in FIGS. 1–8 illustrate unclaimed portions of the design. The broken lines in FIGS. 9, 10 and 13–15 illustrate the use of the claimed design in various environments. None of the broken lines in the drawings form part of the claimed design.

The subject matter of the design is a product adapted to output sound and light; also, the volume of the sound and the brightness of external light sources connected to the product can be controlled by the product.

(56) **References Cited**

U.S. PATENT DOCUMENTS

D302,980 S * 8/1989 Van de Ven D14/216

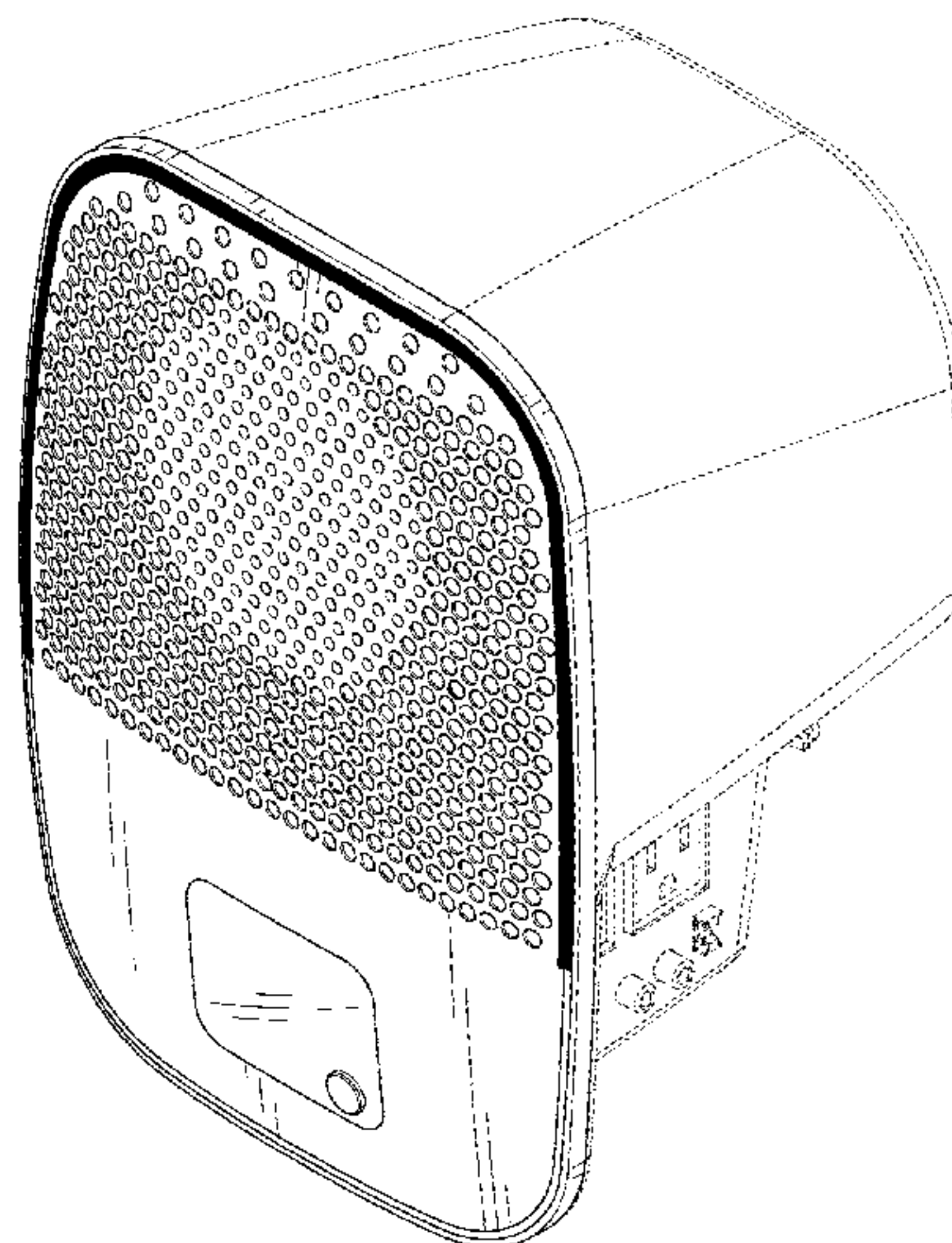
5,323,979 A * 6/1994 Grecksch D01H 9/187

242/474.1

(Continued)

Primary Examiner — Prabhakar G Deshmukh

1 Claim, 15 Drawing Sheets



(56)

References Cited

U.S. PATENT DOCUMENTS

5,400,413 A * 3/1995 Kindel H04R 1/023
181/199
D389,152 S * 1/1998 Kurihara D14/215
D392,977 S * 3/1998 Kim D14/214
D614,201 S * 4/2010 Strauser D14/496
D614,670 S * 4/2010 Strauser D14/496
8,160,489 B2 * 4/2012 Strauser G09B 19/00
381/26
D710,829 S * 8/2014 Loudon D14/219
D733,688 S * 7/2015 Han D14/210
D780,489 S * 3/2017 LoBianco D6/678.3

* cited by examiner

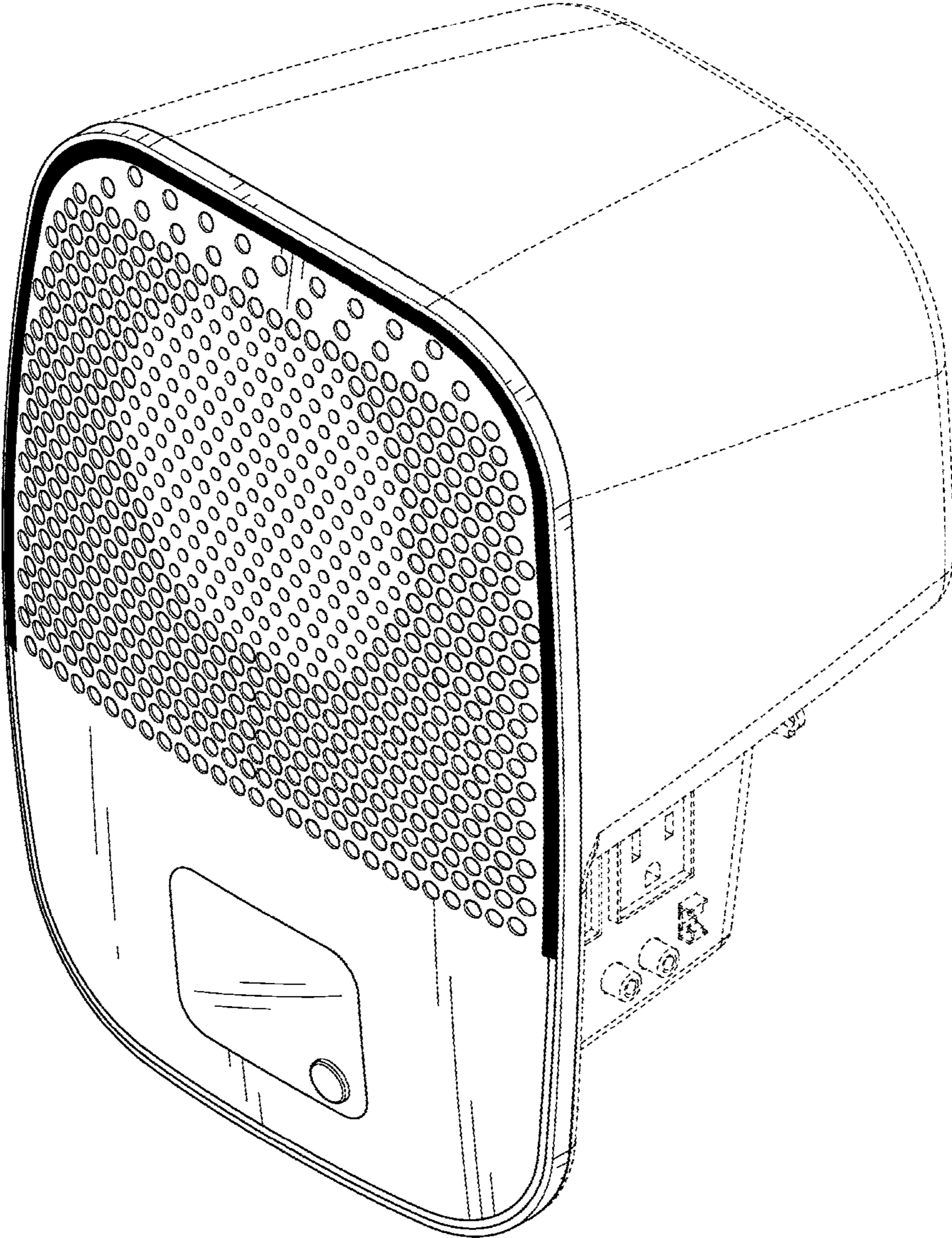


FIG.1

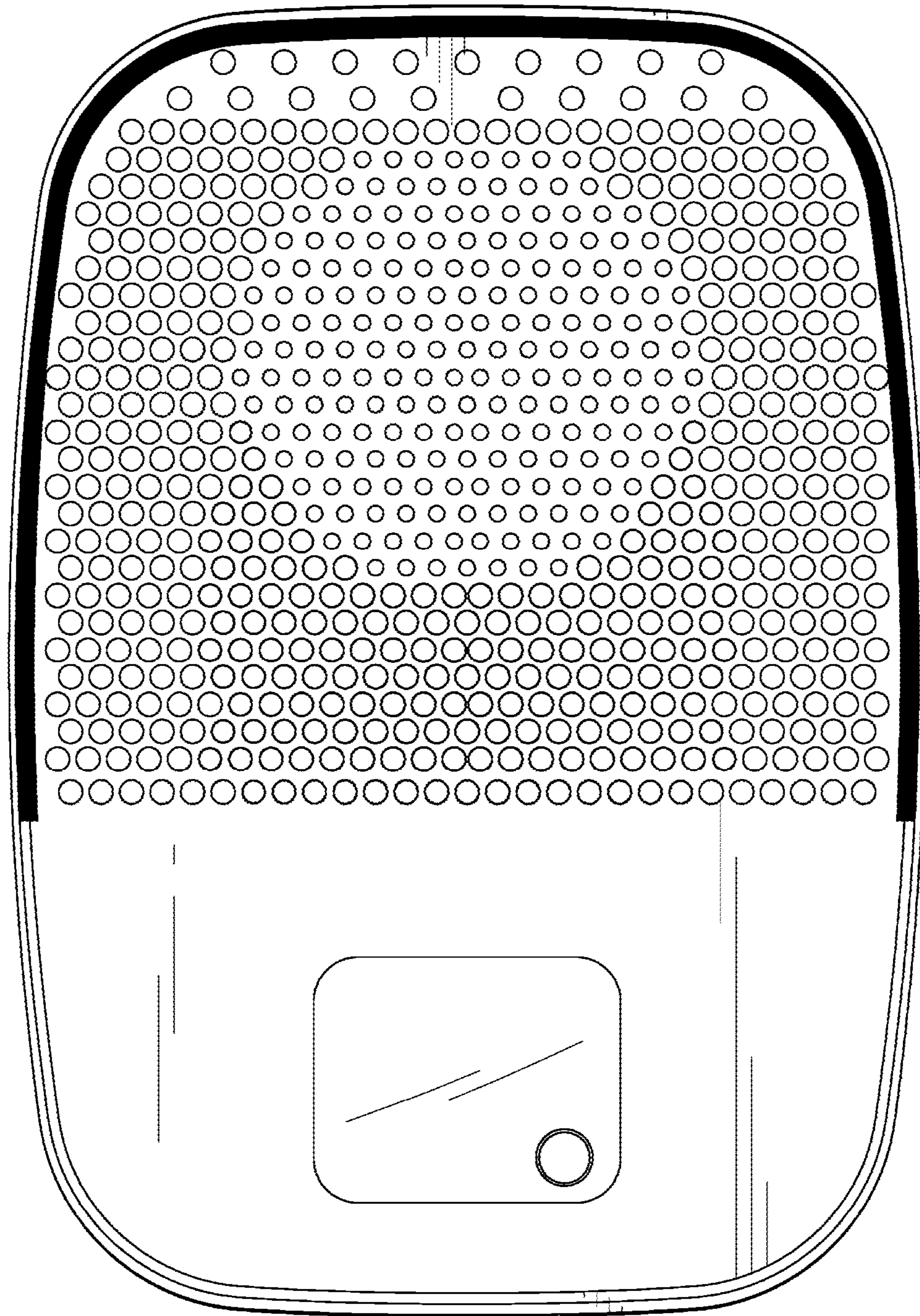


FIG.2

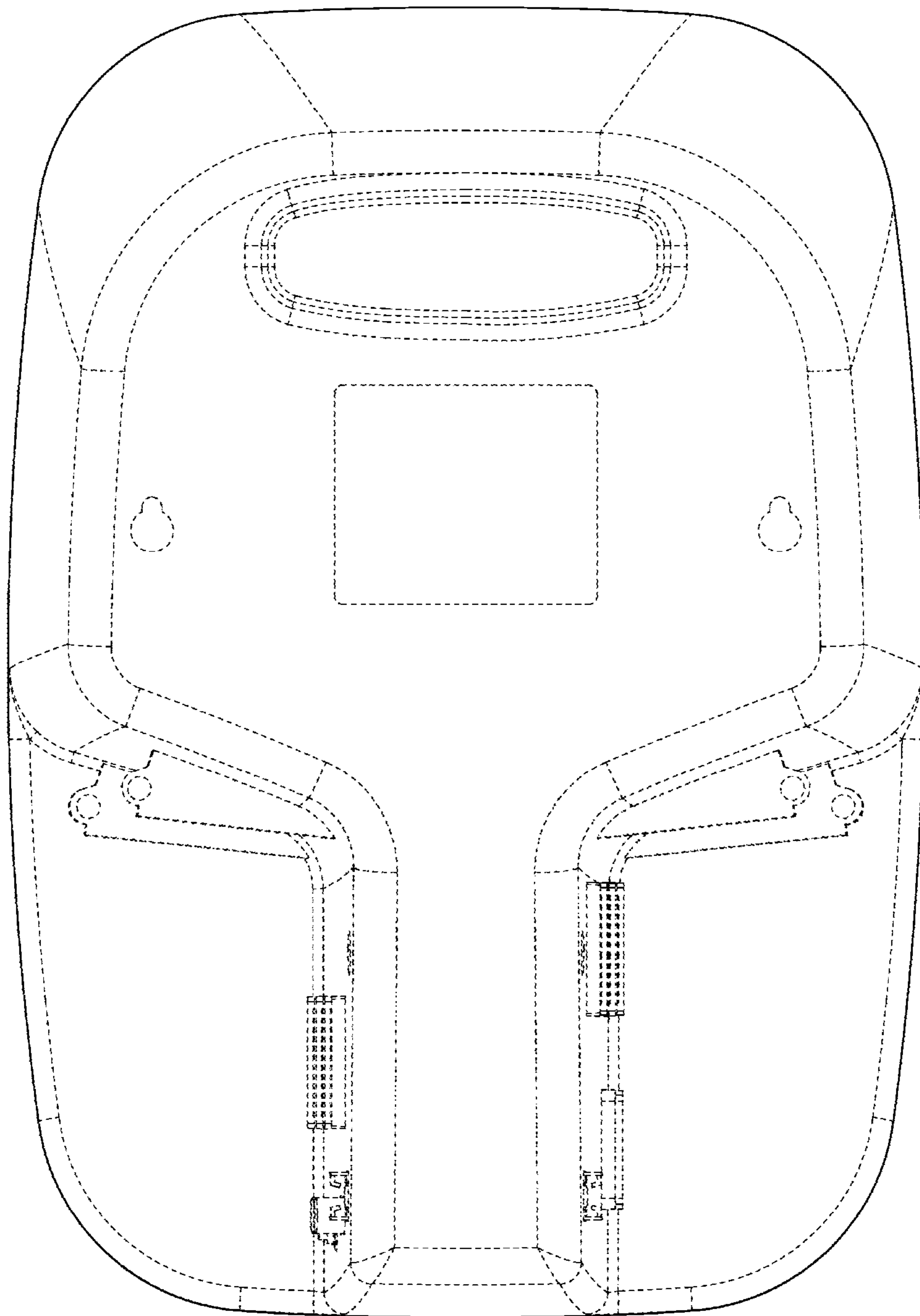


FIG.3

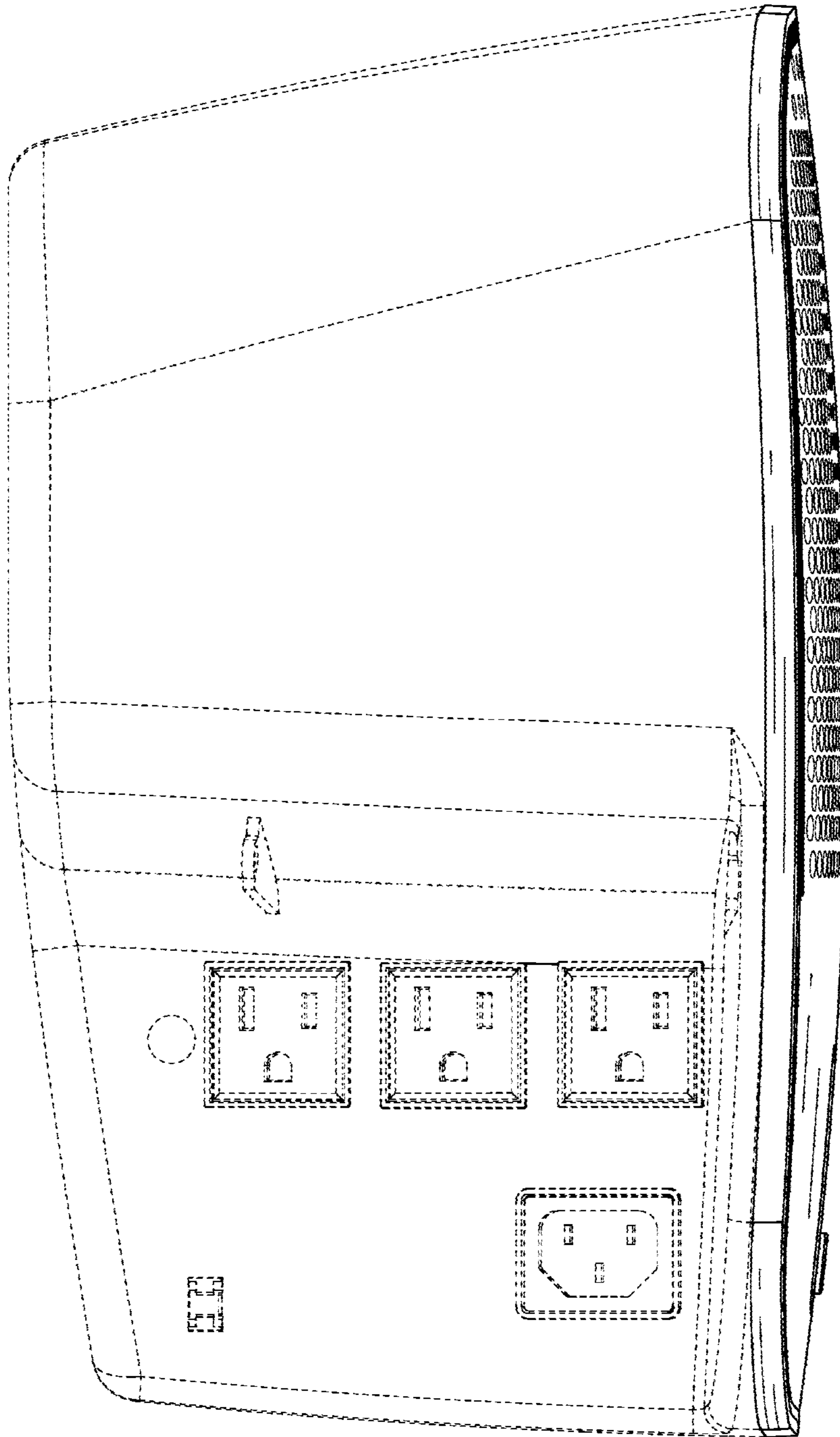


FIG.4

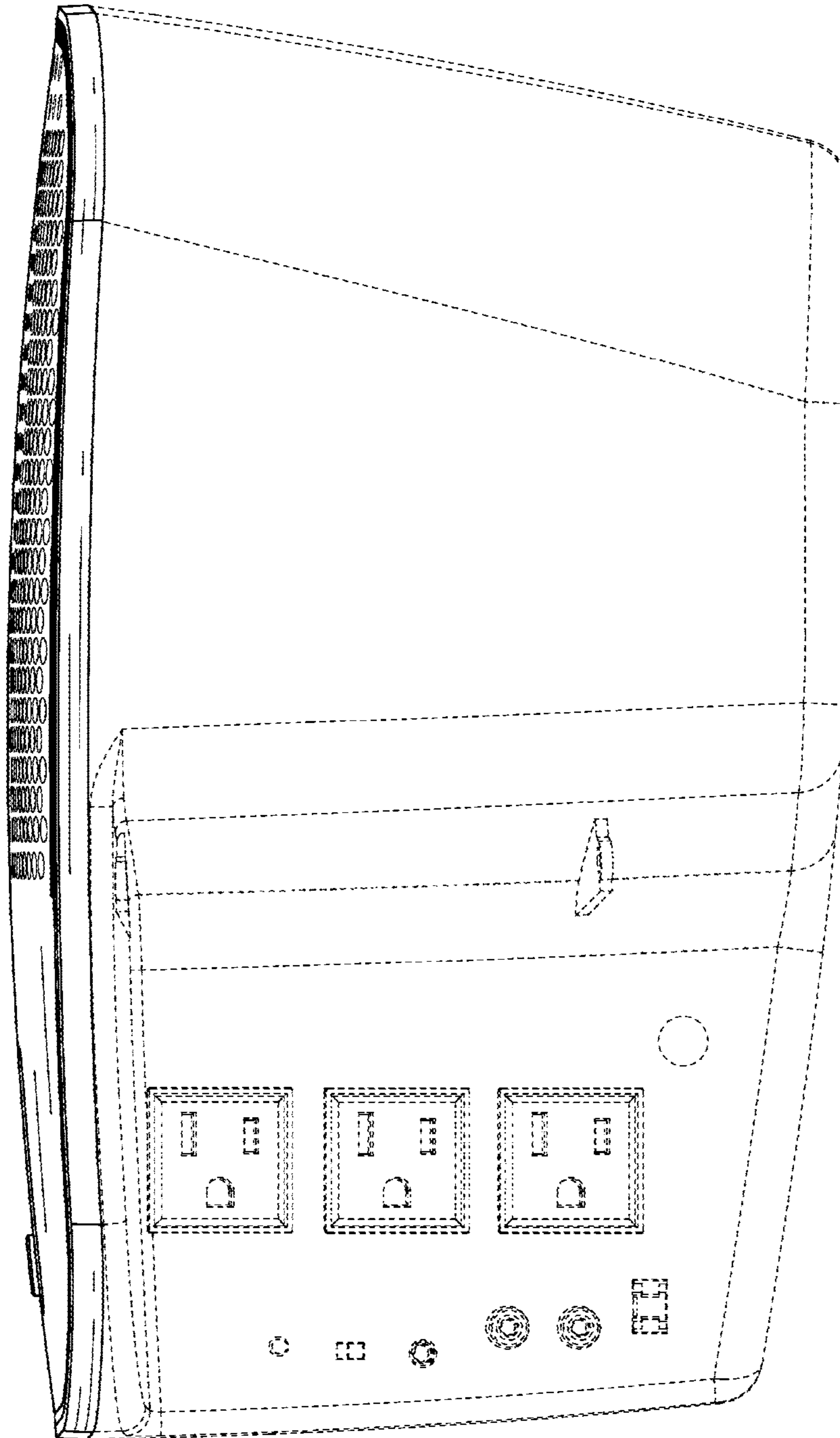


FIG.5

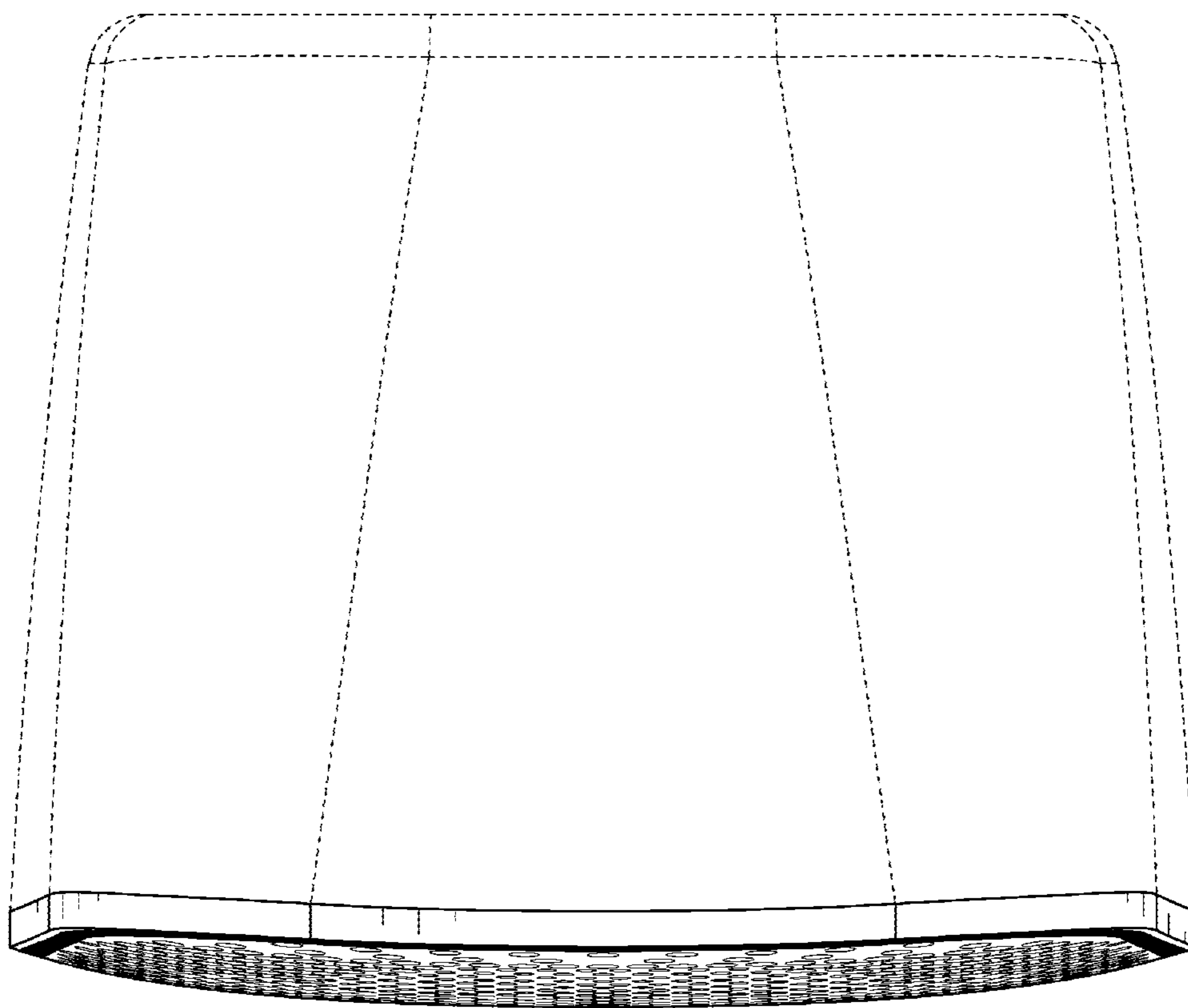


FIG.6

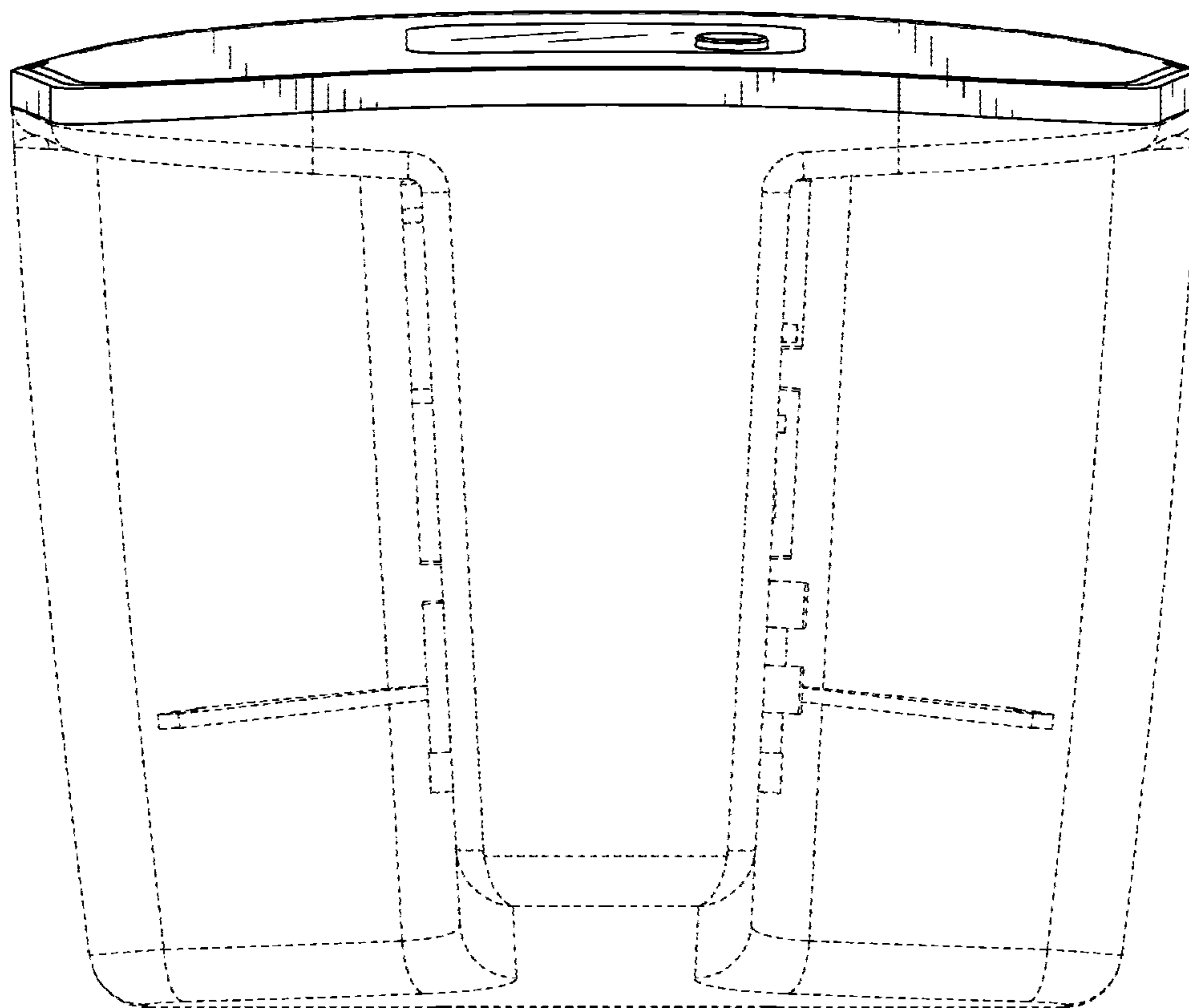


FIG.7

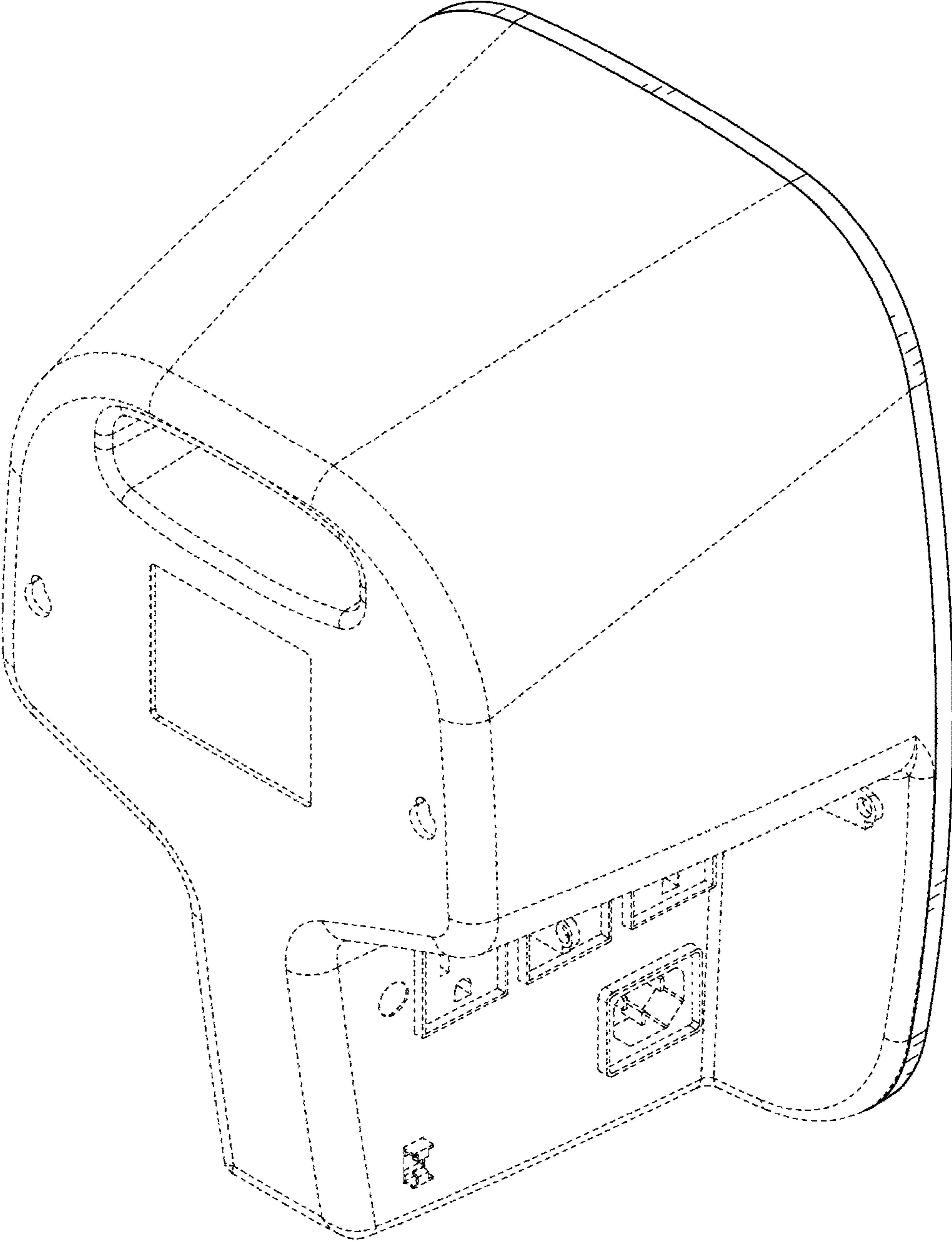


FIG. 8

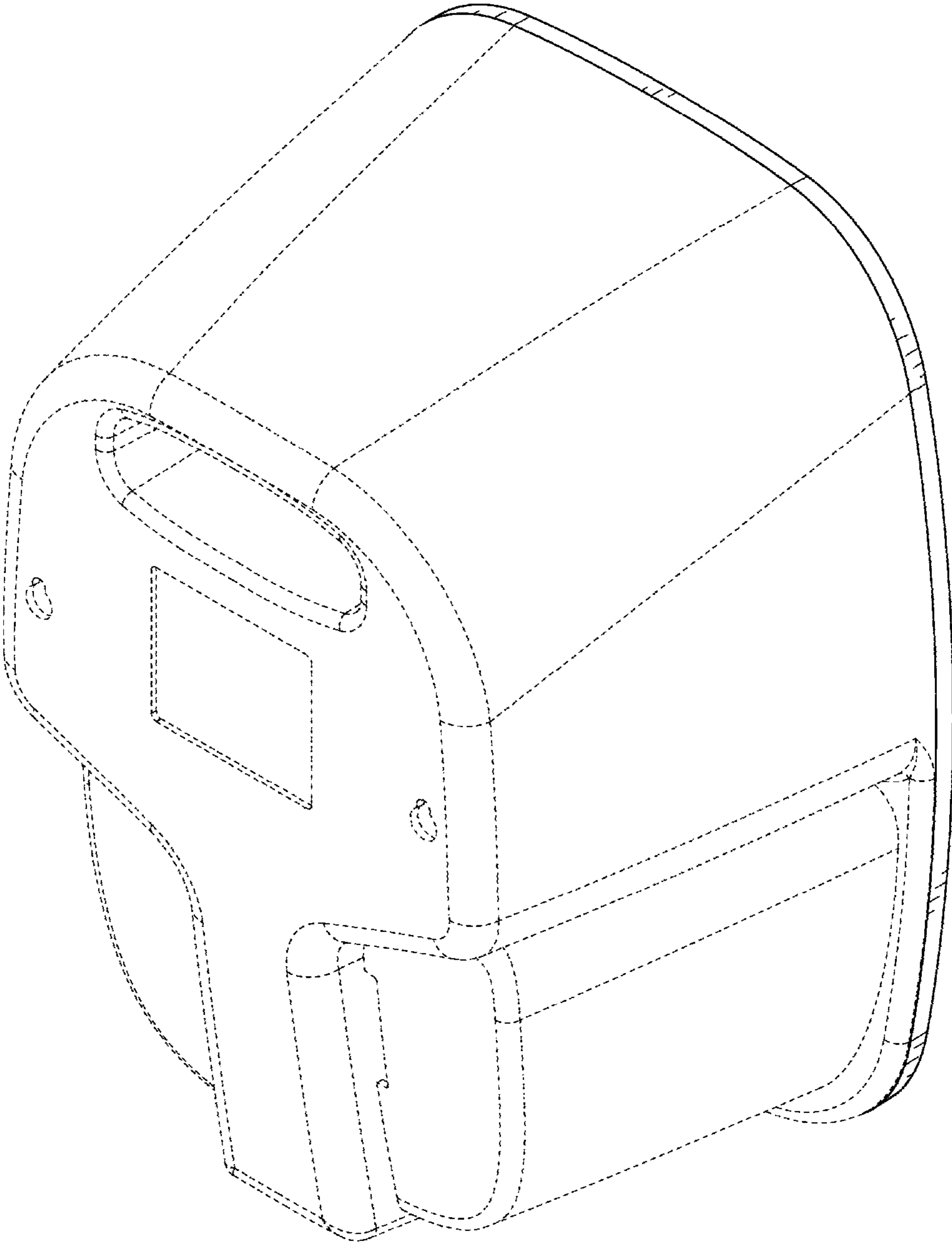


FIG.9

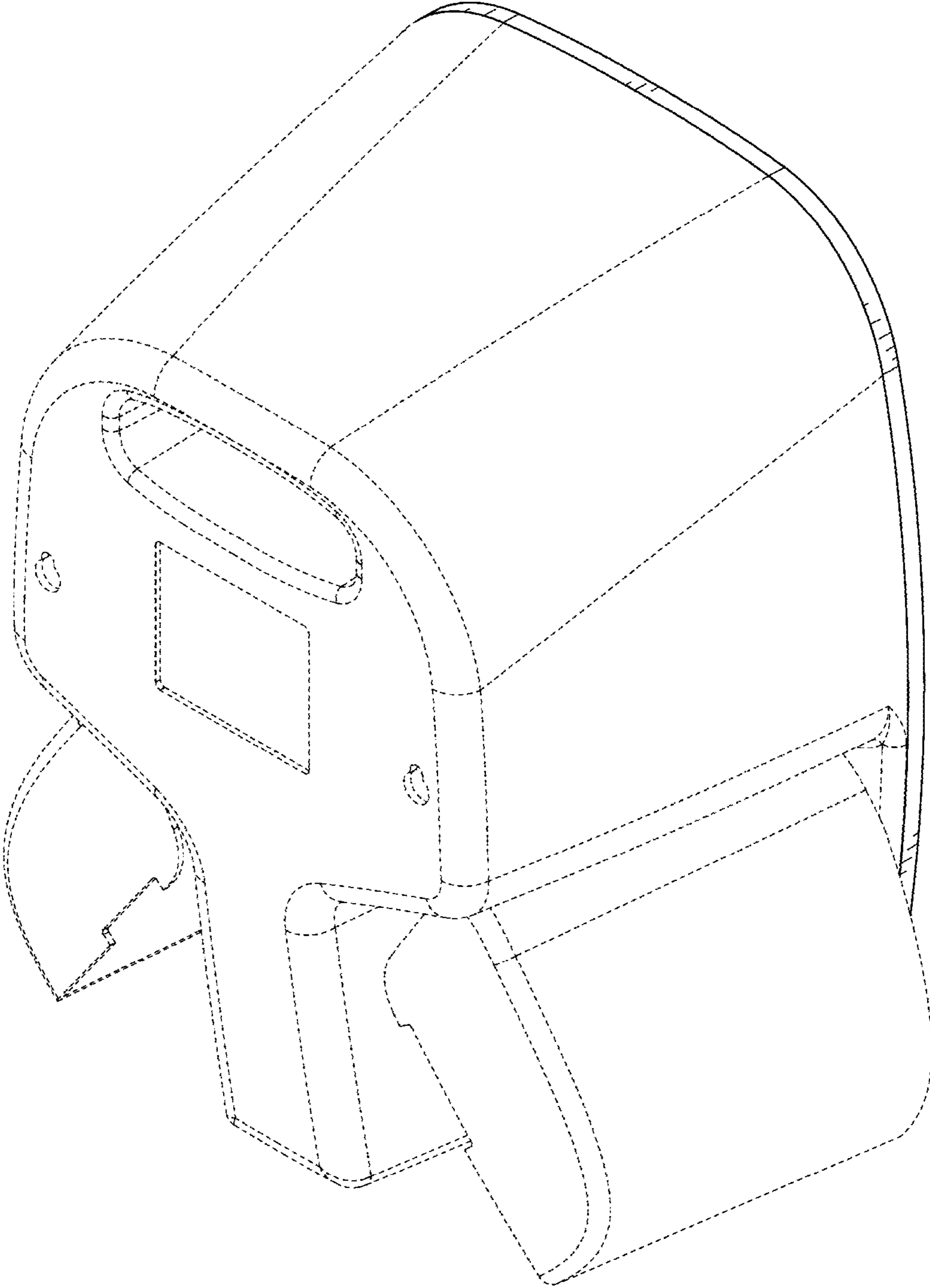


FIG.10

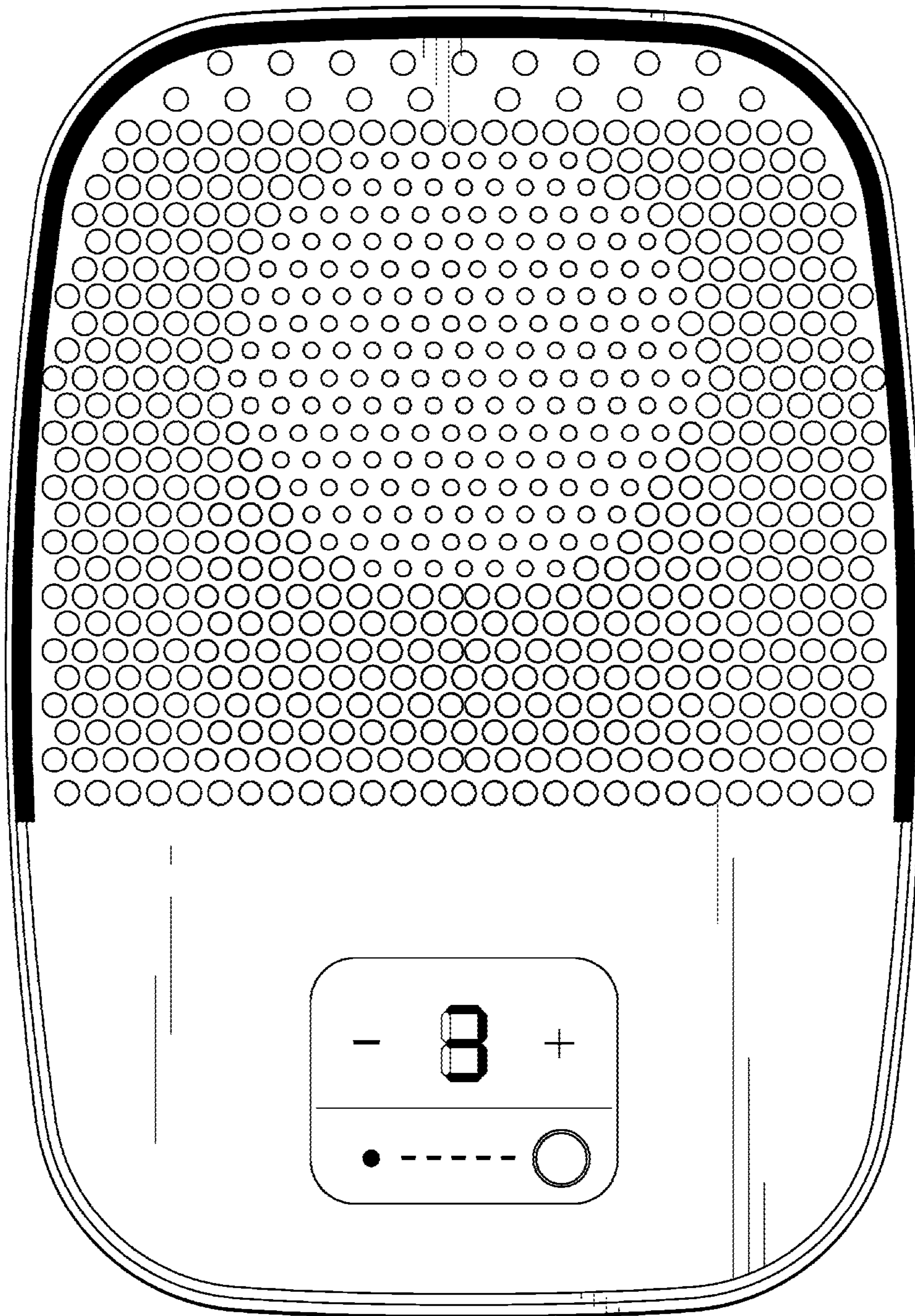


FIG. 11

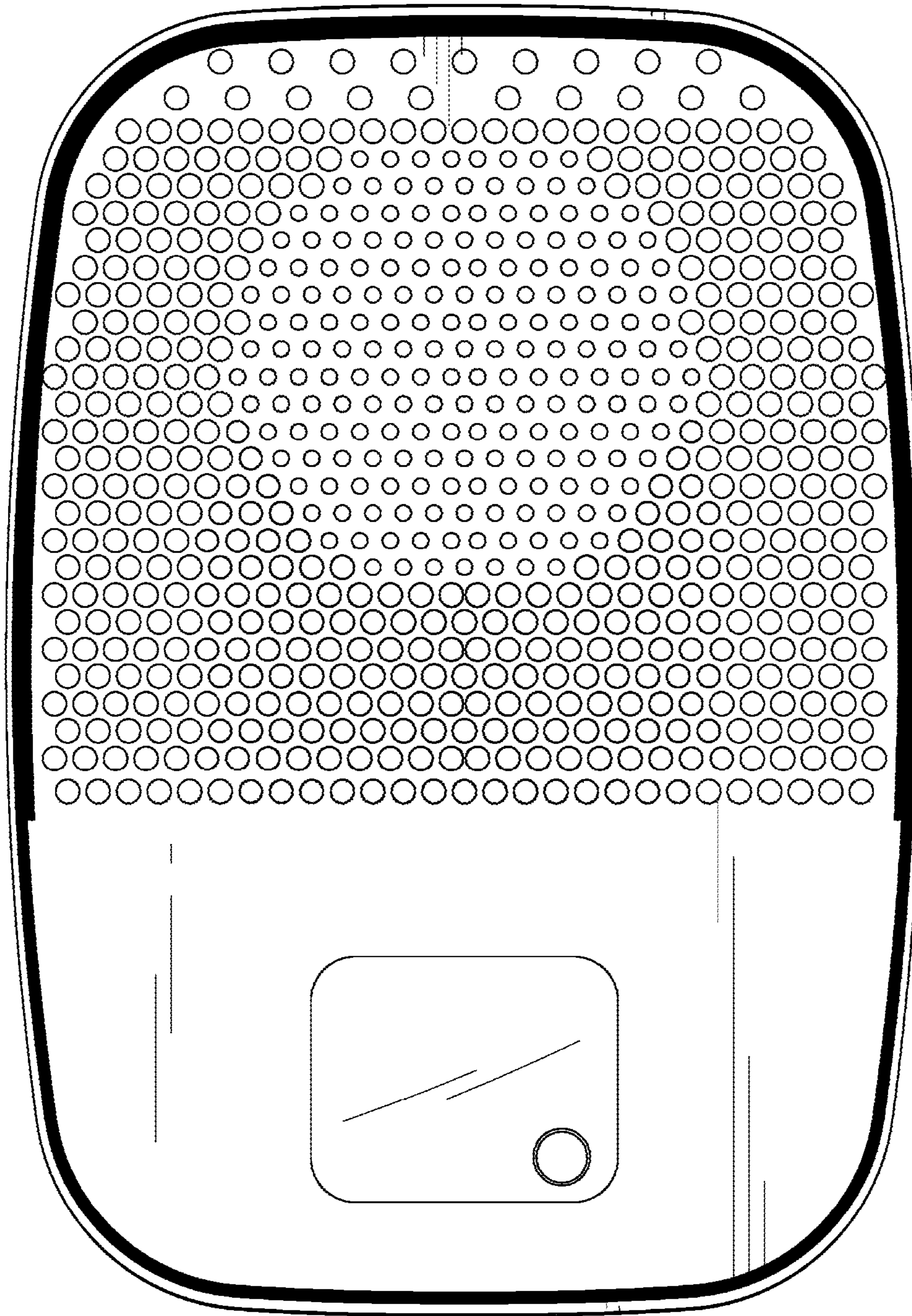


FIG. 12

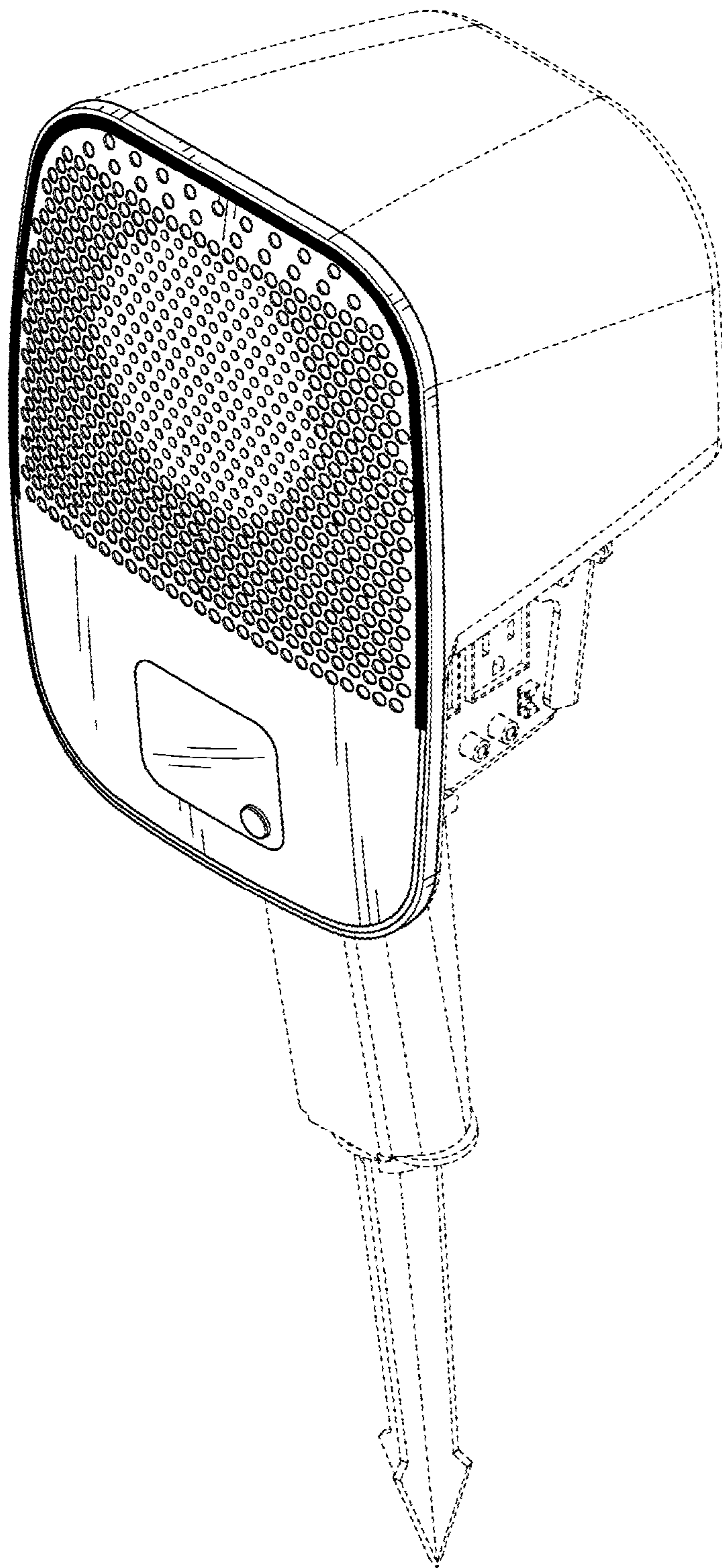


FIG.13

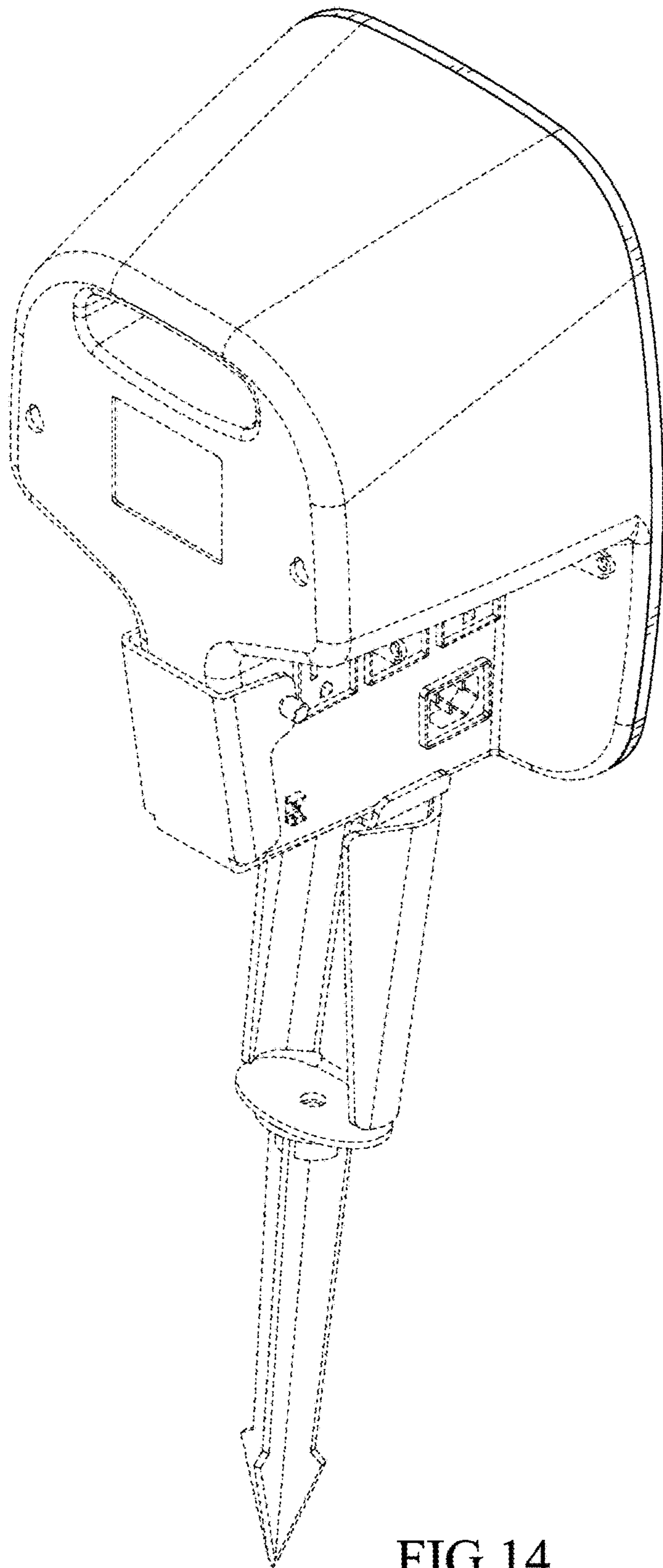


FIG. 14

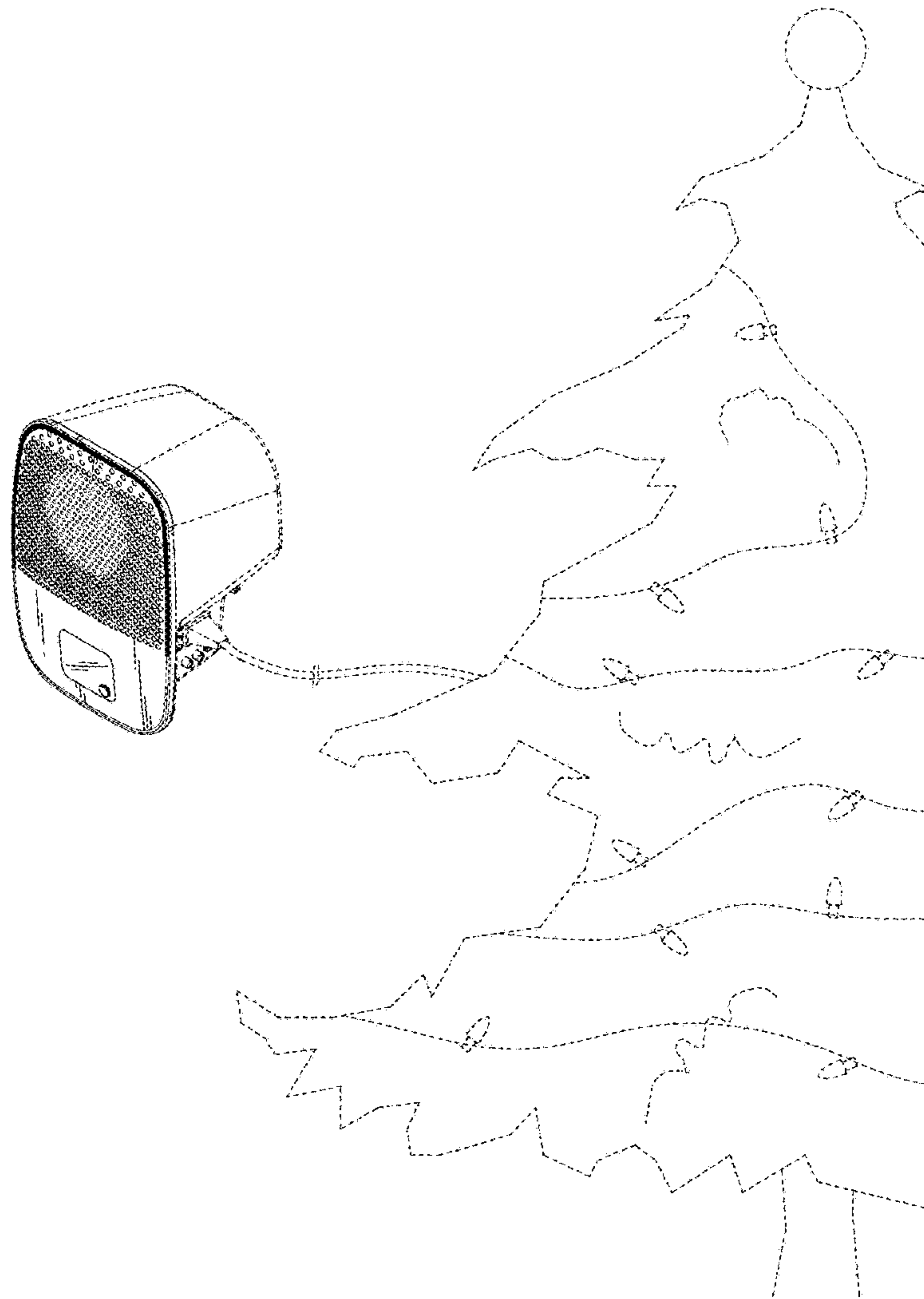


FIG.15