



US00D805104S

(12) **United States Design Patent** (10) **Patent No.:** **US D805,104 S**  
**Hashimoto et al.** (45) **Date of Patent:** **\*\* Dec. 12, 2017**

(54) **DISPLAY SCREEN WITH ICONS**  
(71) Applicant: **MITSUBISHI ELECTRIC CORPORATION**, Tokyo (JP)  
(72) Inventors: **Takayasu Hashimoto**, Tokyo (JP); **Hideo Imanaka**, Tokyo (JP); **Masami Aikawa**, Tokyo (JP)  
(73) Assignee: **Mitsubishi Electric Corporation**, Tokyo (JP)  
(\*\*) Term: **15 Years**  
(21) Appl. No.: **35/501,582**  
(22) Filed: **Mar. 4, 2016**  
(80) **Hague Agreement Data**  
Int. Filing Date: **Mar. 4, 2016**  
Int. Reg. No.: **DM/092356**  
Int. Reg. Date: **Mar. 4, 2016**  
Int. Reg. Pub. Date: **Sep. 16, 2016**

(30) **Foreign Application Priority Data**  
Sep. 18, 2015 (JP) ..... 2015-020775  
(51) **LOC (10) Cl.** ..... **14-04**  
(52) **U.S. Cl.**  
USPC ..... **D14/489**  
(58) **Field of Classification Search**  
USPC ..... D14/485-488, 490, 494, 489, 491-493, D14/495  
CPC . G06F 3/0482; G06F 3/04842; G06F 3/04817  
See application file for complete search history.

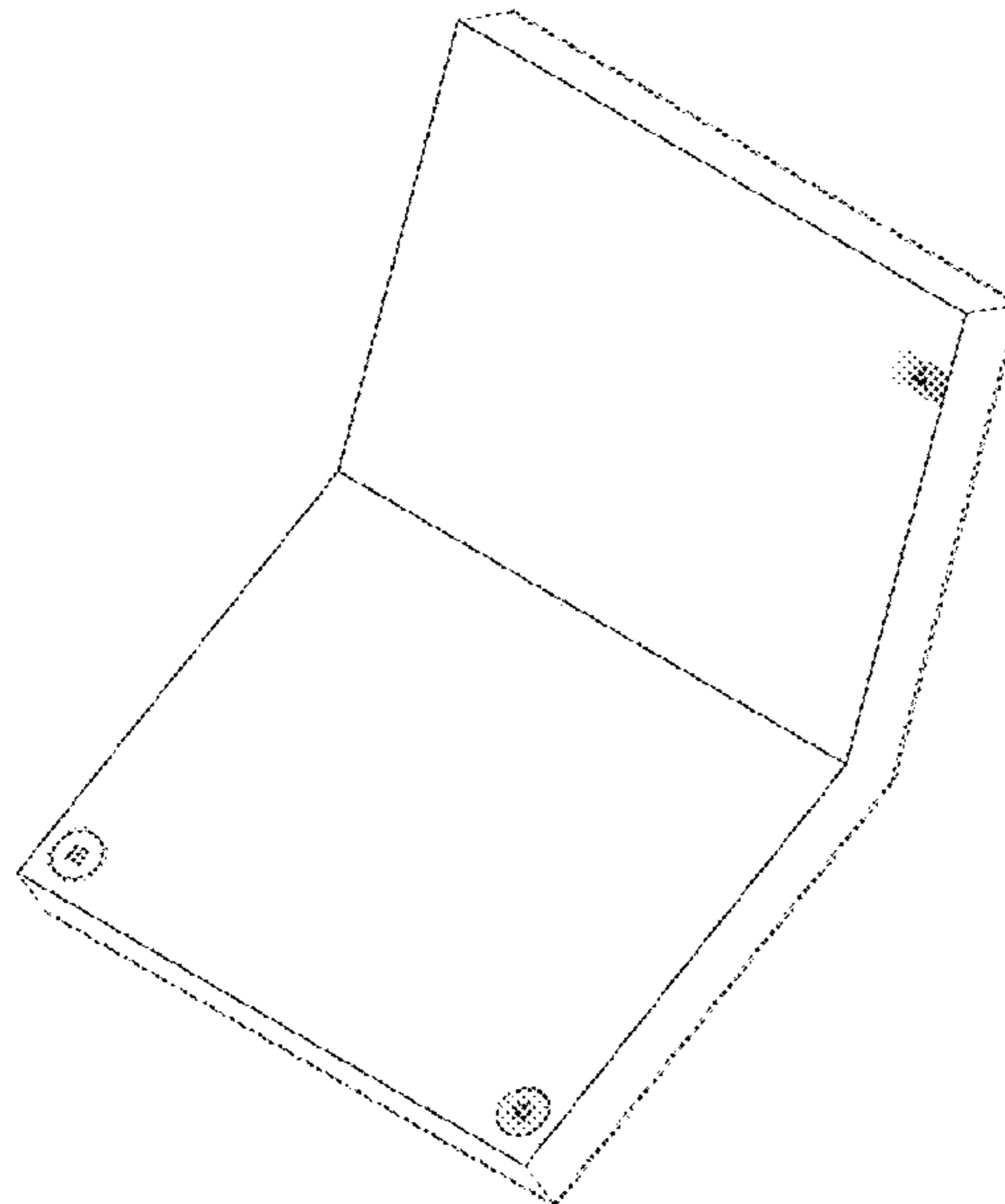
(56) **References Cited**  
U.S. PATENT DOCUMENTS  
D459,363 S \* 6/2002 Lee ..... D14/489  
D522,015 S \* 5/2006 Cummins ..... D14/487  
D562,843 S \* 2/2008 Fletcher ..... D14/488  
D633,515 S \* 3/2011 Soegiono ..... D14/487  
D638,027 S \* 5/2011 Towbin ..... D14/488  
D682,873 S \* 5/2013 Frijlink ..... D14/488  
D682,879 S \* 5/2013 Eikenberry ..... D14/489  
D684,184 S \* 6/2013 Tanghe ..... D14/489  
D689,896 S \* 9/2013 Manlapaz ..... D14/487  
D764,504 S \* 8/2016 Yagisawa ..... D14/486  
D766,965 S \* 9/2016 Capela ..... D14/488

\* cited by examiner  
*Primary Examiner* — Eric Goodman  
*Assistant Examiner* — Nicole Shiflet  
(74) *Attorney, Agent, or Firm* — Studebaker & Brackett PC

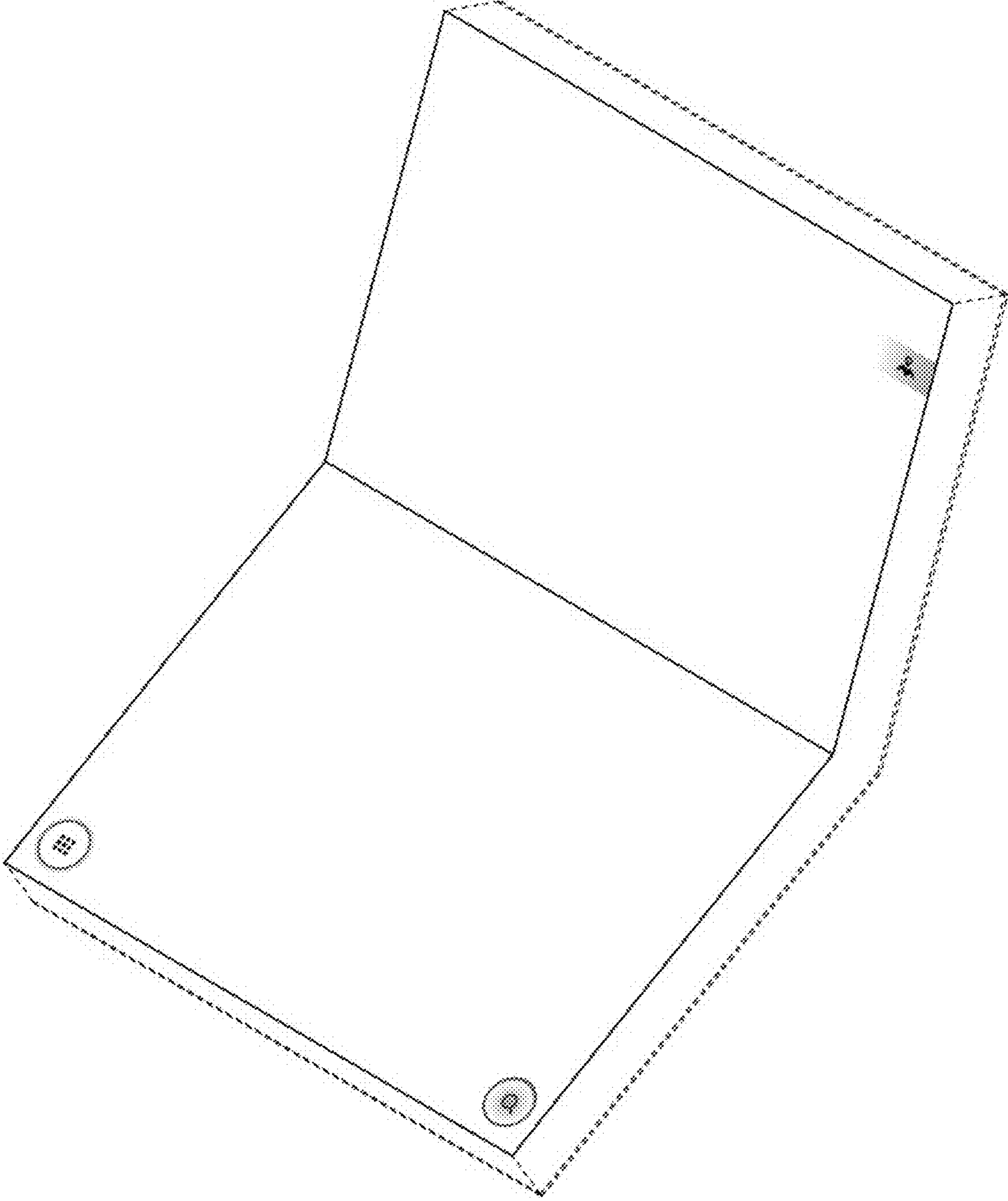
(57) **CLAIM**  
The ornamental design for a display screen with icons, as shown and described.

**DESCRIPTION**  
1. Display screen with icons  
1.1 : Perspective  
1.2 : Front  
1.3 : Back  
1.4 : Top  
1.5 : Bottom  
1.6 : Left  
1.7 : Right  
The broken lines showing environmental subject matter form no part of the claimed design.

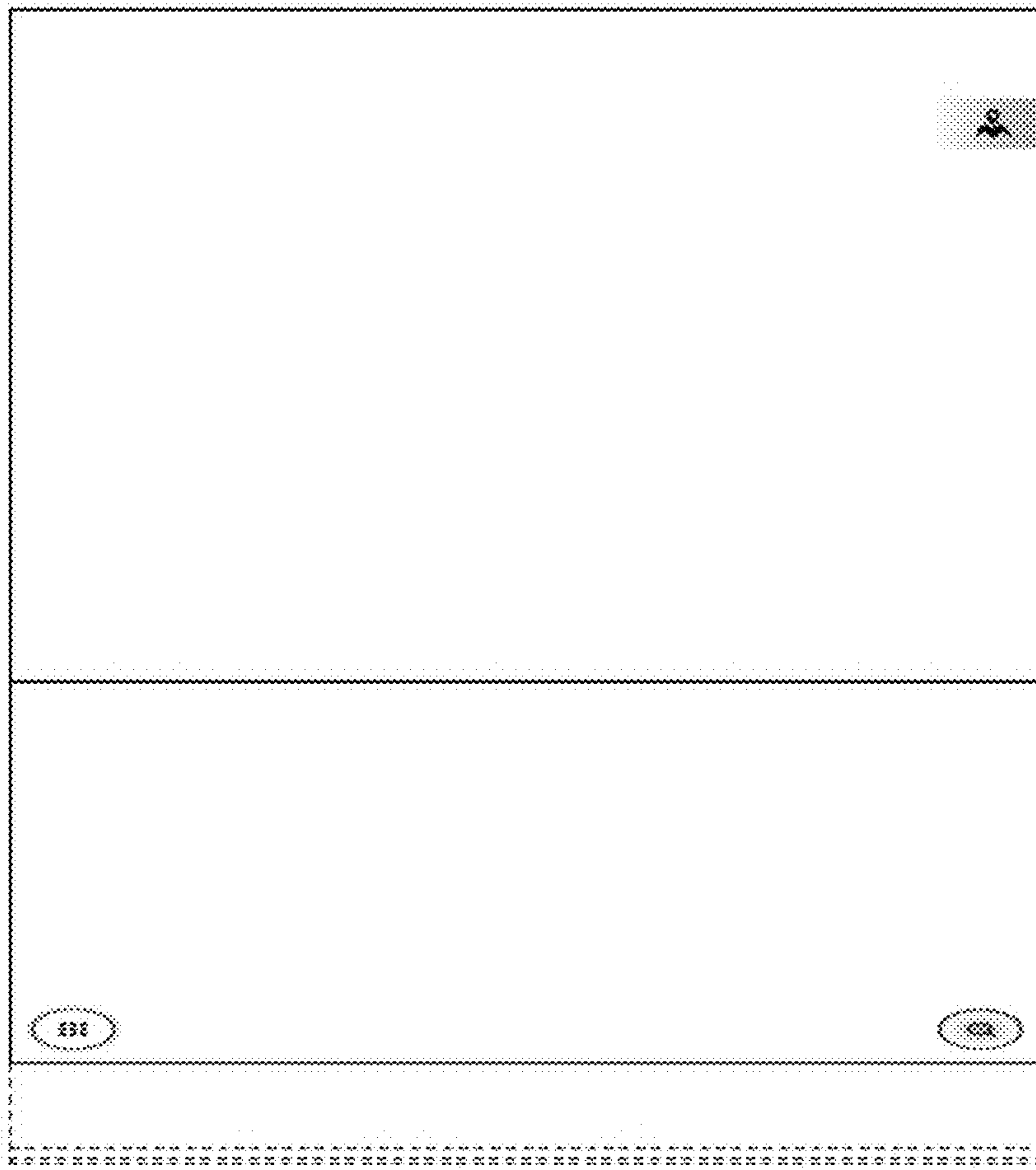
**1 Claim, 7 Drawing Sheets**



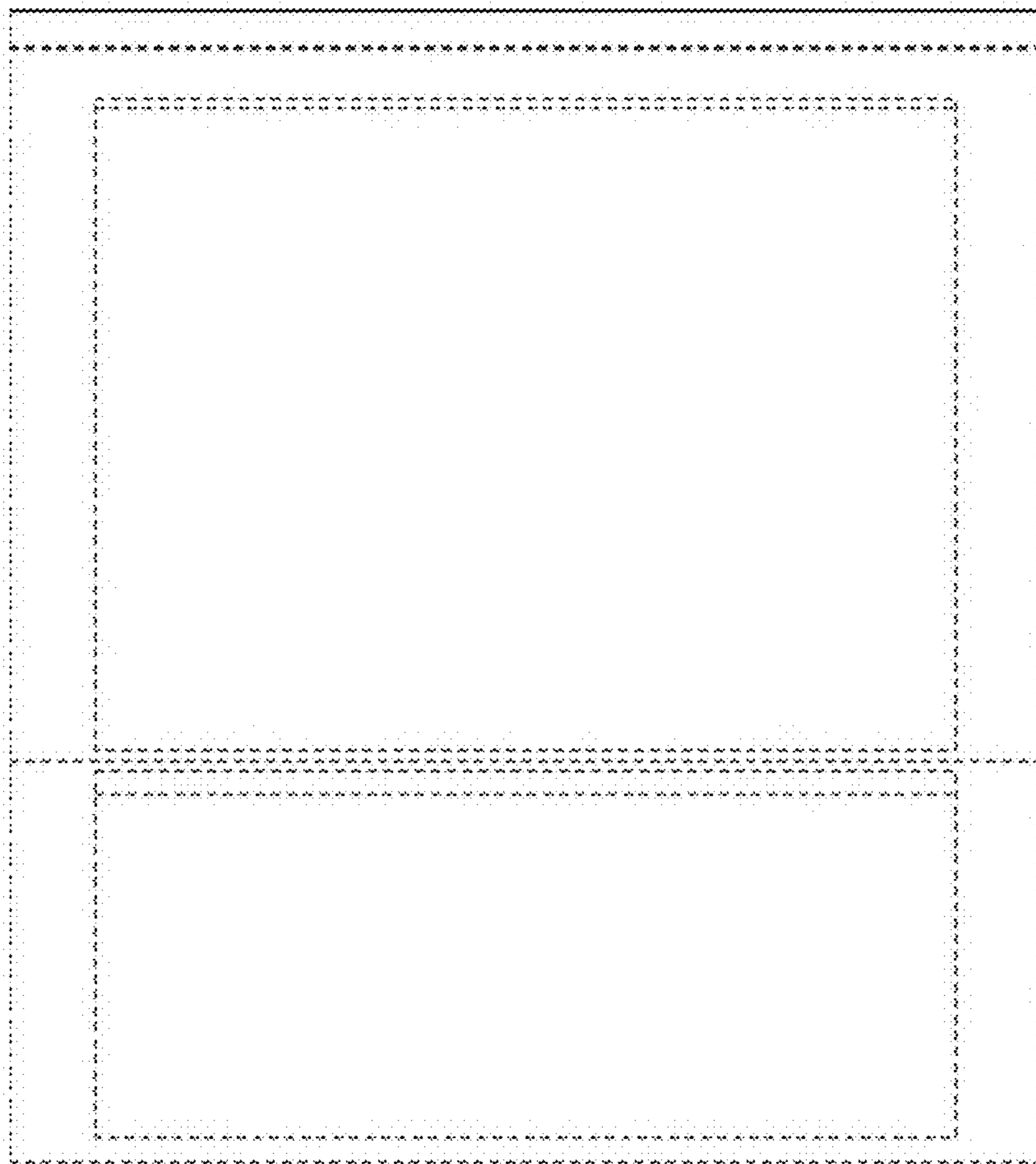
1.1



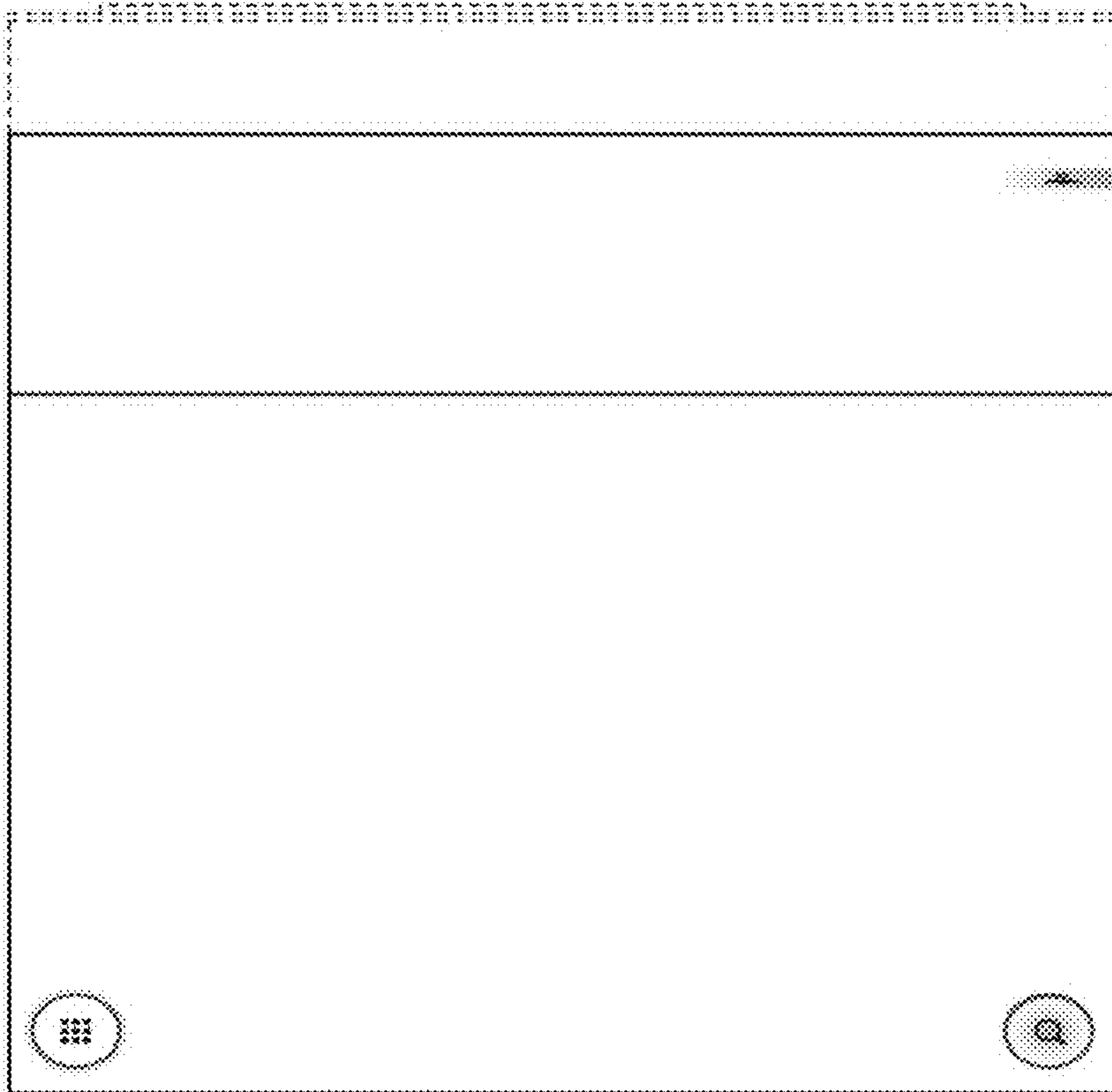
1.2



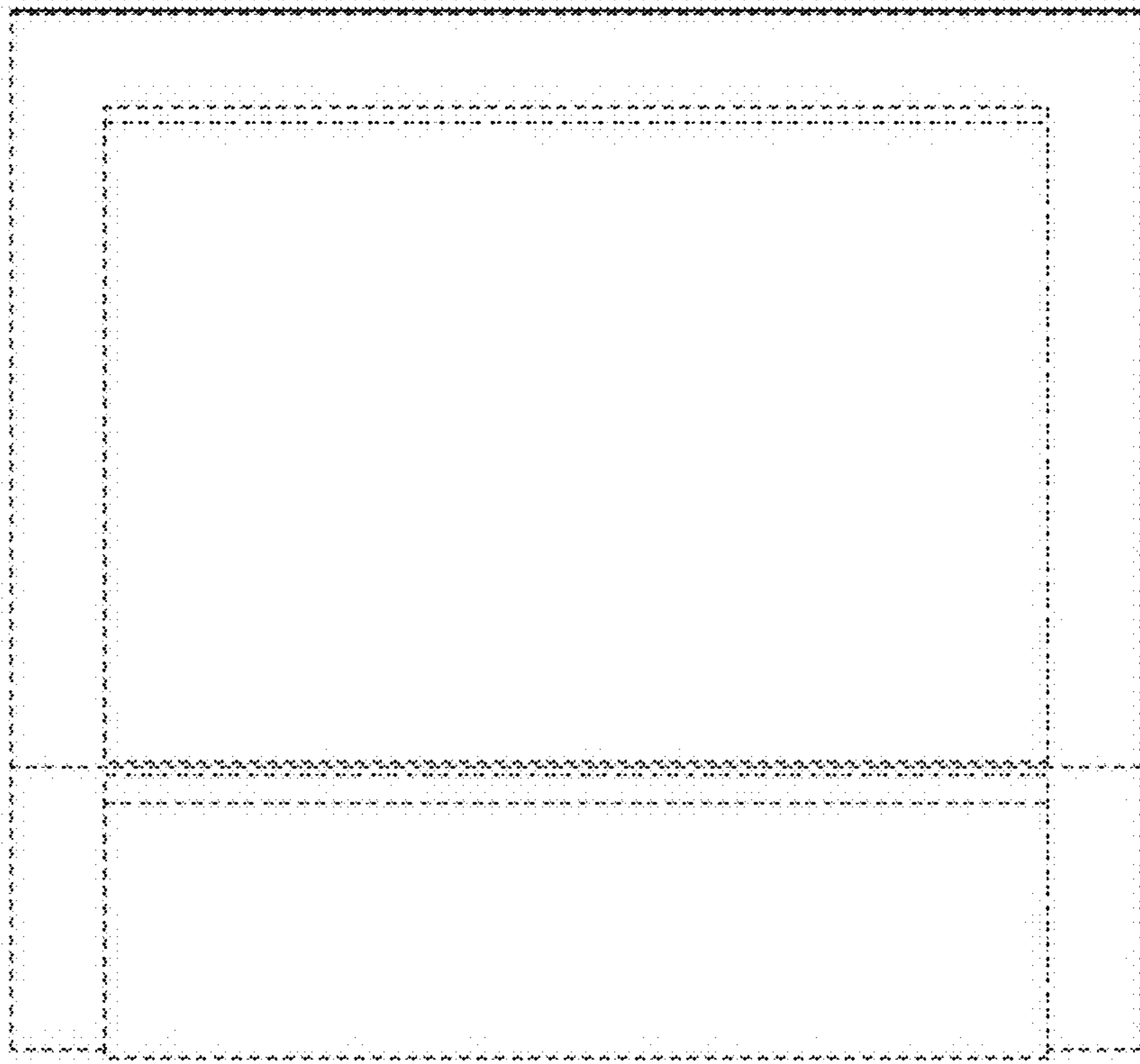
1.3



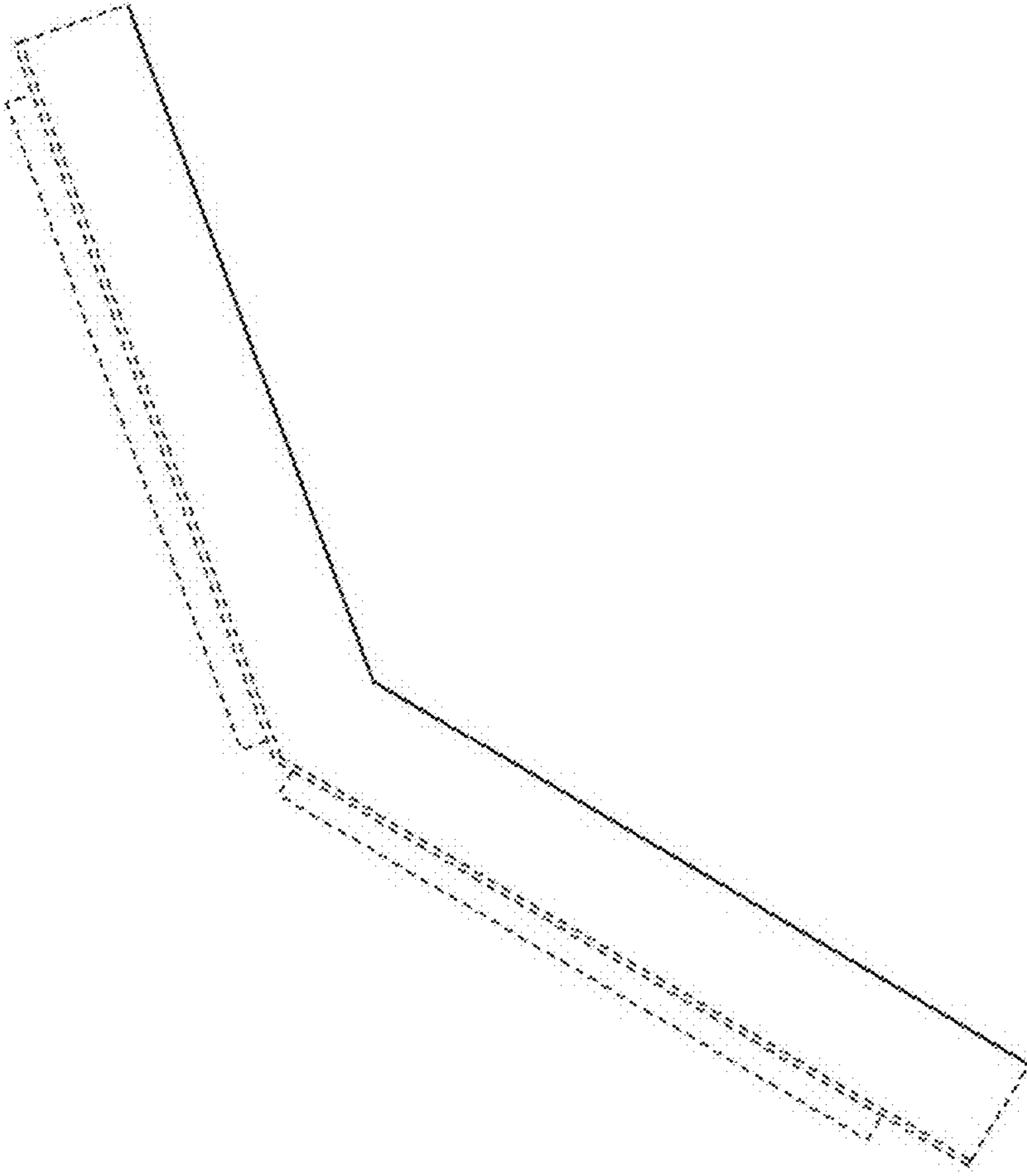
1.4



1.5



1.6



1.7

