



US00D805102S

(12) **United States Design Patent** (10) **Patent No.:** **US D805,102 S**  
**Stamatiou** (45) **Date of Patent:** **\*\* Dec. 12, 2017**

(54) **MEDIA SHARING DEVICE WITH GRAPHICAL USER INTERFACE**  
(71) Applicant: **Twitter, Inc.**, San Francisco, CA (US)  
(72) Inventor: **Paul Stamatiou**, San Francisco, CA (US)  
(73) Assignee: **Twitter, Inc.**, San Francisco, CA (US)  
(\*\*) Term: **14 Years**

D768,669 S \* 10/2016 Pranger ..... D14/486  
D771,080 S \* 11/2016 Kang ..... D14/486  
D773,498 S \* 12/2016 Address ..... D14/486  
D776,140 S \* 1/2017 Address ..... D14/486  
D789,946 S \* 6/2017 Sun ..... D14/485  
2006/0036959 A1 2/2006 Heatherly et al.  
2011/0078050 A1\* 3/2011 Schwartz ..... G06Q 30/02  
705/27.1  
2011/0289435 A1\* 11/2011 Kim ..... G06F 17/30905  
715/760  
2012/0192074 A1\* 7/2012 Patterson ..... G06F 3/048  
715/734

(Continued)

(21) Appl. No.: **29/515,838**

(22) Filed: **Jan. 27, 2015**

(51) **LOC (10) Cl.** ..... **14-04**

(52) **U.S. Cl.**  
USPC ..... **D14/489**

(58) **Field of Classification Search**  
USPC ..... D14/485-495  
CPC .... H04N 1/00424; G06Q 50/01; H04L 51/32;  
H04L 12/581; H04L 12/1813; G06F  
3/0489; G06F 2203/04807; H04M 1/2477  
See application file for complete search history.

(56) **References Cited**

**U.S. PATENT DOCUMENTS**

D420,995 S \* 2/2000 Imamura ..... D14/486  
D485,279 S \* 1/2004 DeCombe ..... D14/486  
7,844,481 B2 \* 11/2010 Hilbush ..... G06Q 10/06311  
705/7.13  
D689,513 S \* 9/2013 Percy ..... D14/486  
D697,075 S \* 1/2014 Waldman ..... D14/485  
D704,211 S \* 5/2014 Agnew ..... G06F 3/04817  
D14/486  
8,898,184 B1 \* 11/2014 Garman ..... G06F 17/30864  
705/26.1  
D726,736 S \* 4/2015 Smirin ..... G06F 3/04817  
D14/485  
D733,172 S \* 6/2015 Angelides ..... D14/486  
D746,296 S \* 12/2015 Tanaka ..... D14/485  
D762,676 S \* 8/2016 Lim ..... D14/486

**OTHER PUBLICATIONS**

The new Twitter interface, courtesy of fly.twitter.com., posted Dec. 10, 2011, [retrieved Jul. 16, 2017]. Retrieved from Internet, <URL: [http://www.88-bar.com/2011/12/is-twitter-catching-up-to-weibo-multimedia-and-emoji-in-western-social-media/section\\_home\\_web\\_en/](http://www.88-bar.com/2011/12/is-twitter-catching-up-to-weibo-multimedia-and-emoji-in-western-social-media/section_home_web_en/)>.\*

(Continued)

*Primary Examiner* — Barbara Fox  
*Assistant Examiner* — Kristin E Reed  
(74) *Attorney, Agent, or Firm* — Brake Hughes  
Bellermann LLP

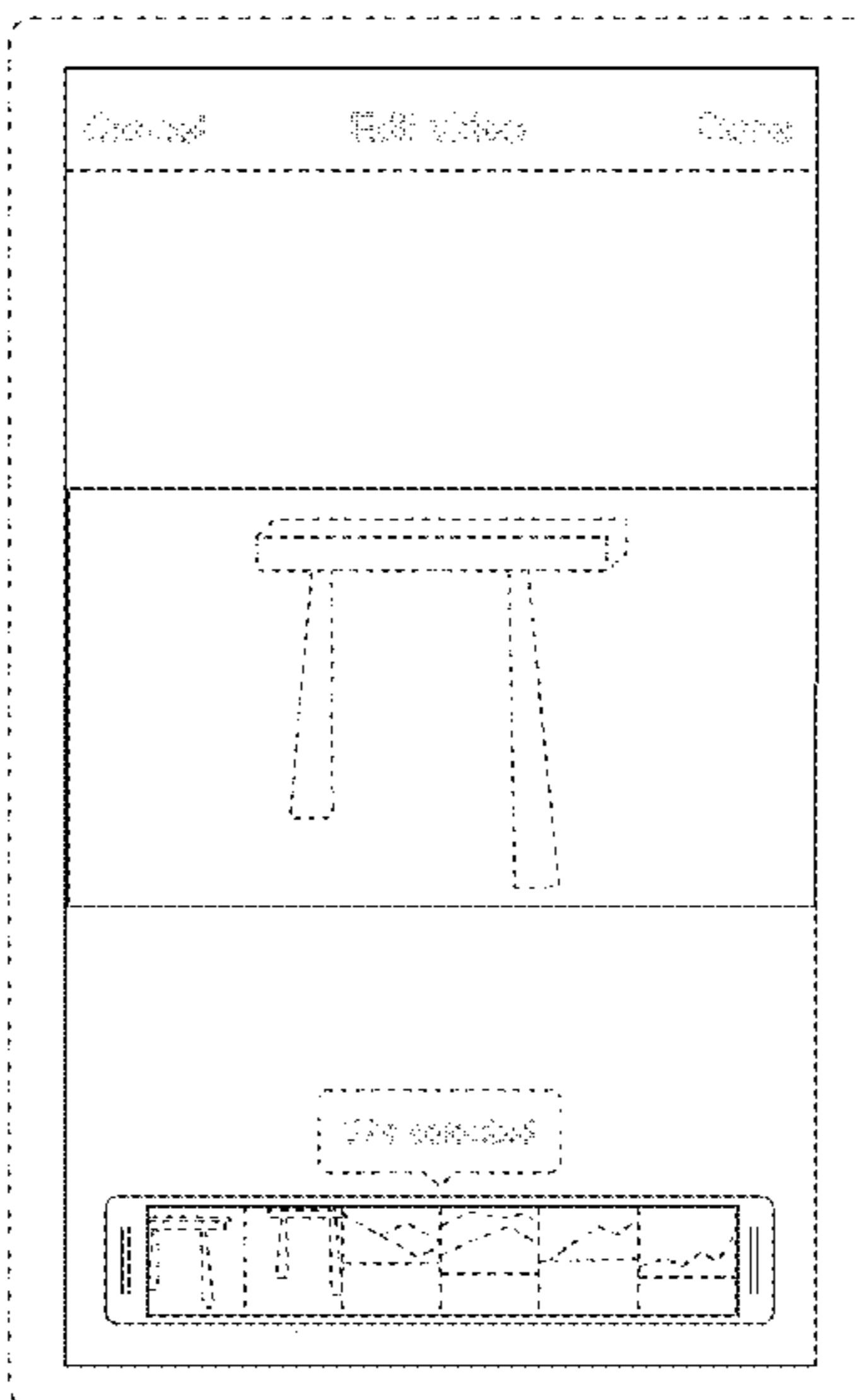
(57) **CLAIM**

What is claimed is an ornamental design for a media sharing device with graphical user interface, as shown and described herein.

**DESCRIPTION**

The FIGURE is a front view of a media sharing device with graphical user interface showing my new design. The broken lines shown in the drawings depict portions of the media sharing device with graphical user interface that form no part of the claimed design.

**1 Claim, 1 Drawing Sheet**



(56)

**References Cited**

U.S. PATENT DOCUMENTS

2013/0073985 A1\* 3/2013 Hamlin ..... G06F 3/0481  
715/753  
2014/0280567 A1 9/2014 Kang et al.  
2015/0074504 A1\* 3/2015 Steinfl ..... G06F 3/0482  
715/202  
2016/0216871 A1\* 7/2016 Stamatiou ..... G06F 3/04845

OTHER PUBLICATIONS

Nokia N9 Review: A Complete Walk Through: Meego/Harmattan Software and User Interface/Experience, posted Sep. 12, 2011, [retrieved Jul. 16, 2017]. Retrieved from Internet, <URL: <http://techprolonged.com/2011/11/nokia-n9-a-complete-walk-through-meego-harmattan-software-and-user-interface-experience/>>.\*  
Twitter mobile apps for Android and iOS updated with support for login verification, posted Aug. 6, 2013, [retrieved Jul. 16, 2017]. Retrieved from Internet, <URL: <https://techwhack.co/twitter-mobile-apps-android-ios-updated-support-login-verification/>>.\*

\* cited by examiner

