



US00D805087S

(12) **United States Design Patent** (10) **Patent No.:** **US D805,087 S**
Sumii (45) **Date of Patent:** **** Dec. 12, 2017**

(54) **WIRELESS COMMUNICATION DEVICE**
(71) Applicant: **SONY INTERACTIVE ENTERTAINMENT INC.**, Tokyo (JP)
(72) Inventor: **Tetsu Sumii**, Tokyo (JP)
(73) Assignee: **SONY INTERACTIVE ENTERTAINMENT INC.**, Tokyo (JP)
(**) Term: **15 Years**

D611,944 S * 3/2010 Kujawski D14/435.1
D625,730 S * 10/2010 Cacioppo D14/435.1
D631,884 S * 2/2011 Klein D14/435.1
D648,730 S * 11/2011 Huang D14/480.5
D669,899 S * 10/2012 Cheng D14/435.1
D682,841 S * 5/2013 Suetake D14/480.1
D712,839 S * 9/2014 Lee D13/147
D743,401 S * 11/2015 Shimano D14/435.1
D753,662 S * 4/2016 Arrington D14/433
D759,027 S * 6/2016 Magi D14/480.1
D781,867 S * 3/2017 Aulert D14/480.1

* cited by examiner

(21) Appl. No.: **29/586,967**
(22) Filed: **Dec. 8, 2016**

Primary Examiner — Angela J Lee
(74) *Attorney, Agent, or Firm* — Young & Thompson

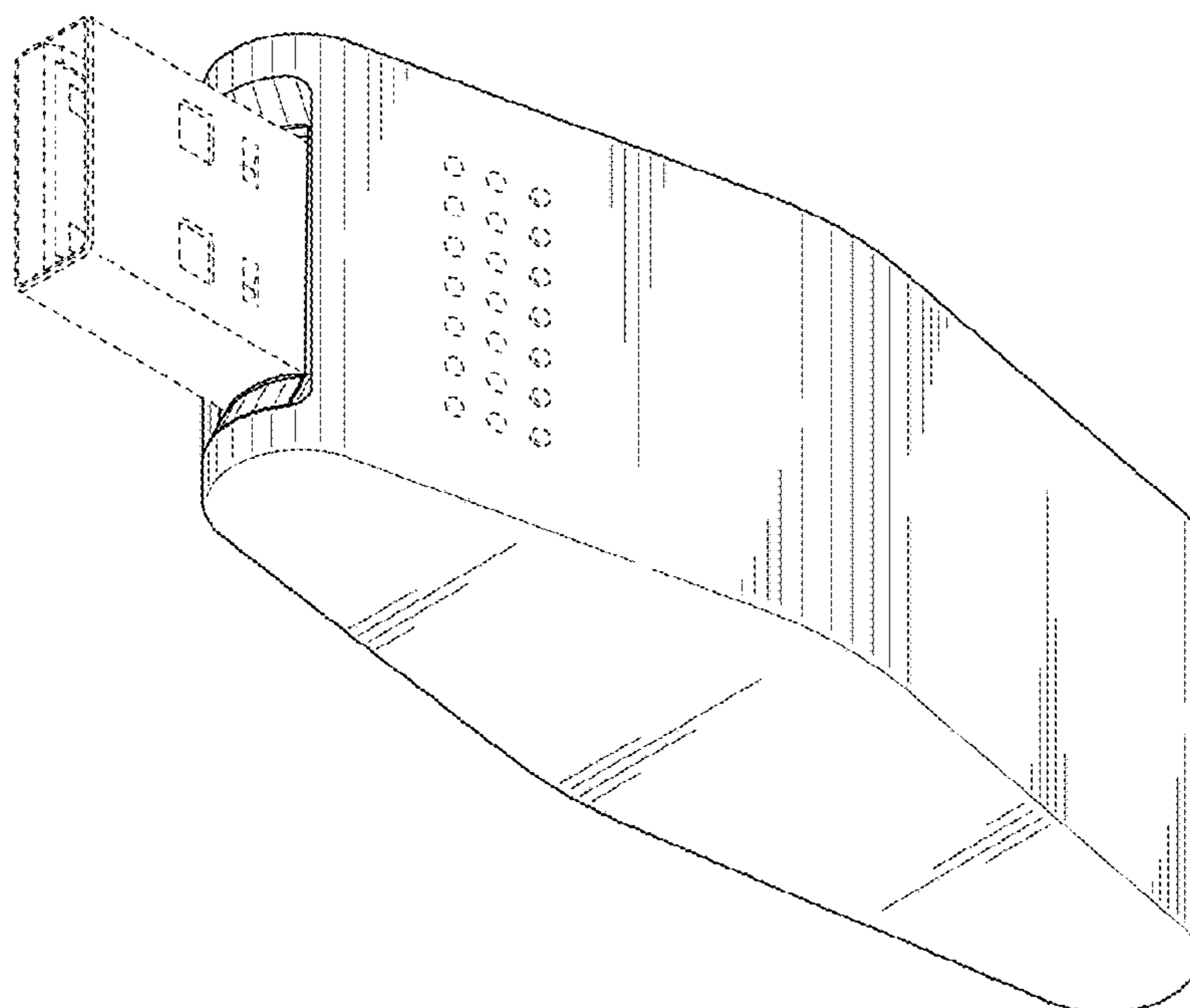
(30) **Foreign Application Priority Data**
Jun. 9, 2016 (JP) 2016-012349
(51) **LOC (10) Cl.** **14-02**
(52) **U.S. Cl.**
USPC **D14/480.1**
(58) **Field of Classification Search**
USPC D14/480.1–480.7, 435.1, 411, 433, 436,
D14/484.1, 137, 155, 203.1–203.8, 240,
D14/242; D13/133, 154
CPC H05K 5/0278; G06K 19/07732
See application file for complete search history.

(57) **CLAIM**
The ornamental design for a wireless communication device, as shown and described.

(56) **References Cited**
U.S. PATENT DOCUMENTS
D569,375 S * 5/2008 Yu D14/385
D601,142 S * 9/2009 Lindley D14/240

DESCRIPTION
FIG. 1 is a perspective view of front, bottom and left side of a wireless communication device showing my new design; FIG. 2 is a perspective view of rear, top and right side thereof; FIG. 3 is a front view thereof; FIG. 4 is a rear view thereof; FIG. 5 is a left side view thereof; FIG. 6 is a right side view thereof; FIG. 7 is a top view thereof; and, FIG. 8 is a bottom view thereof.
The broken lines form no part of the claimed design.

1 Claim, 4 Drawing Sheets



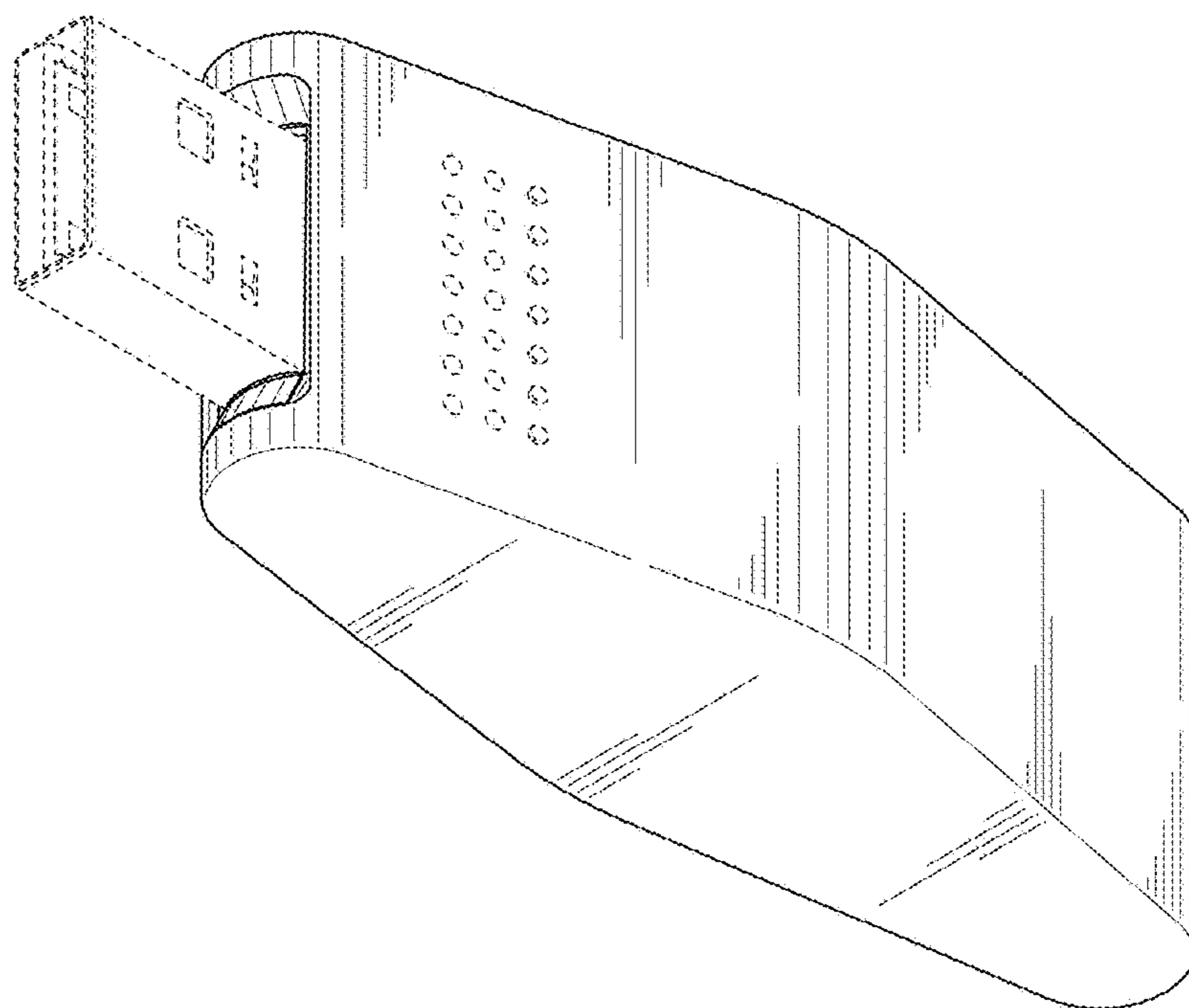


FIG. 1

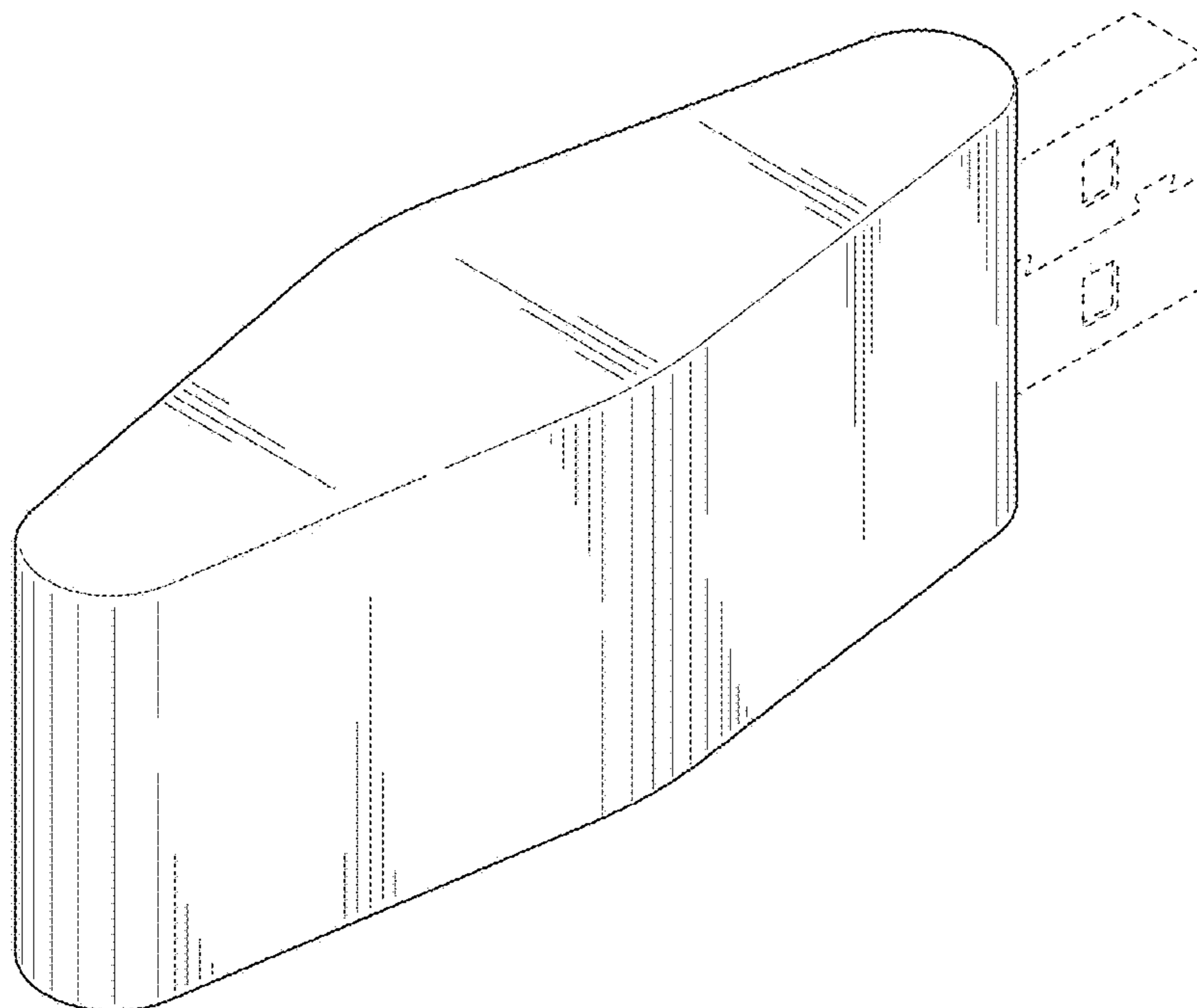


FIG. 2

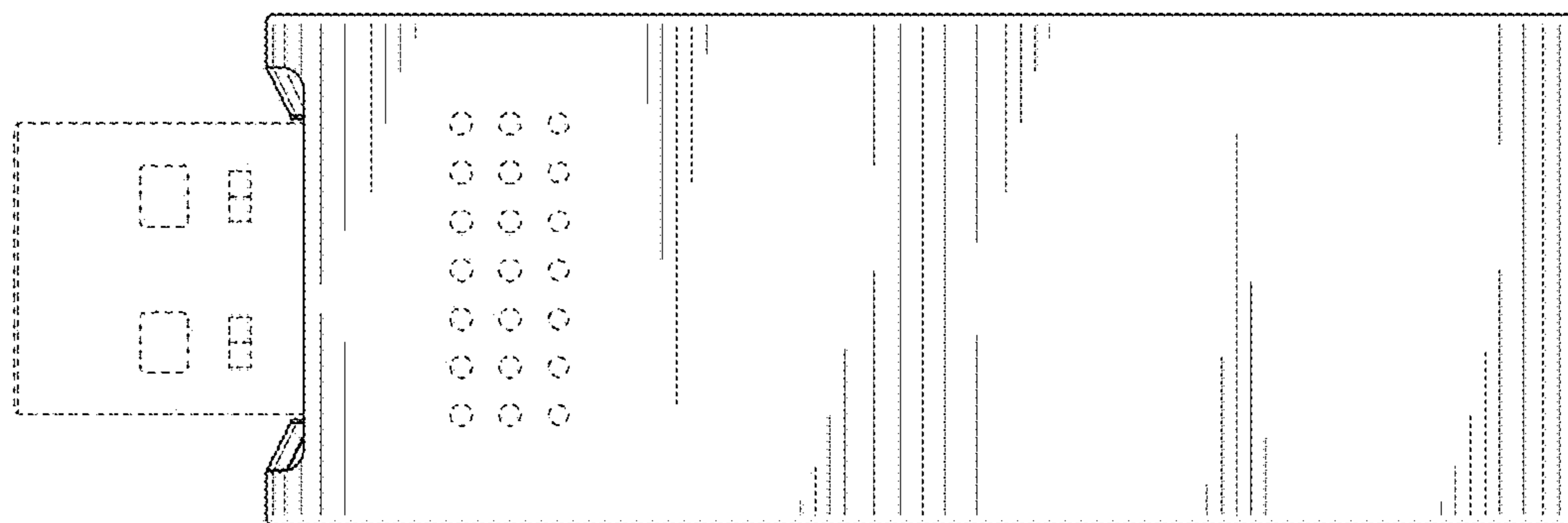


FIG. 3

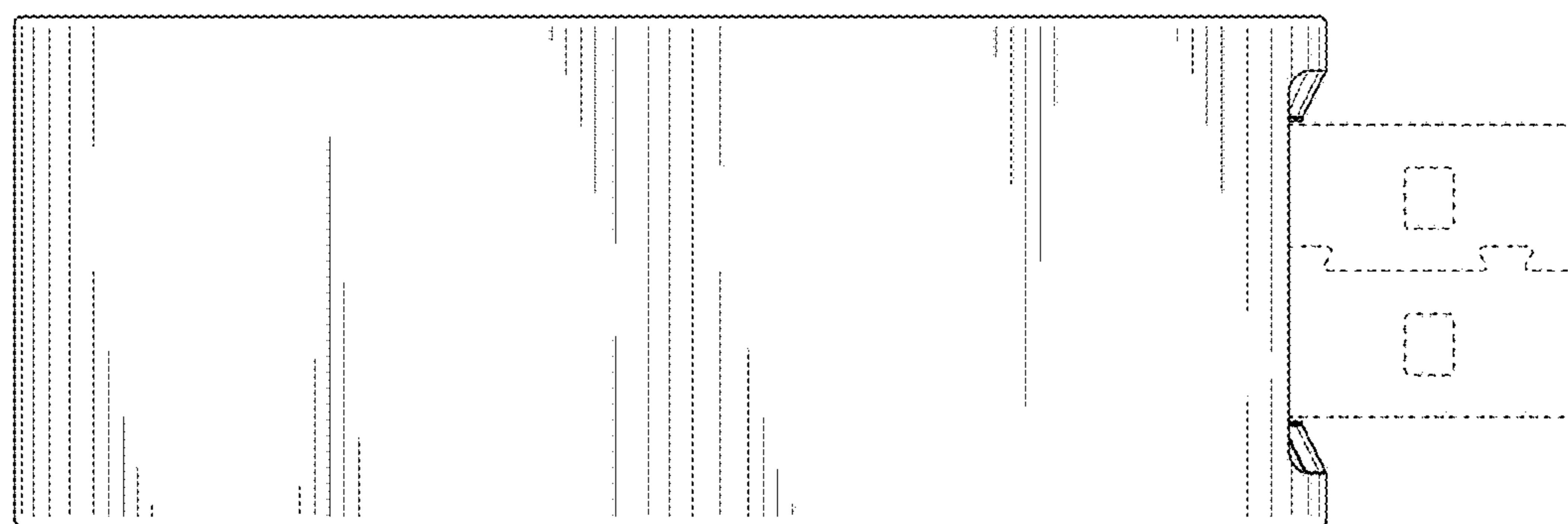


FIG. 4

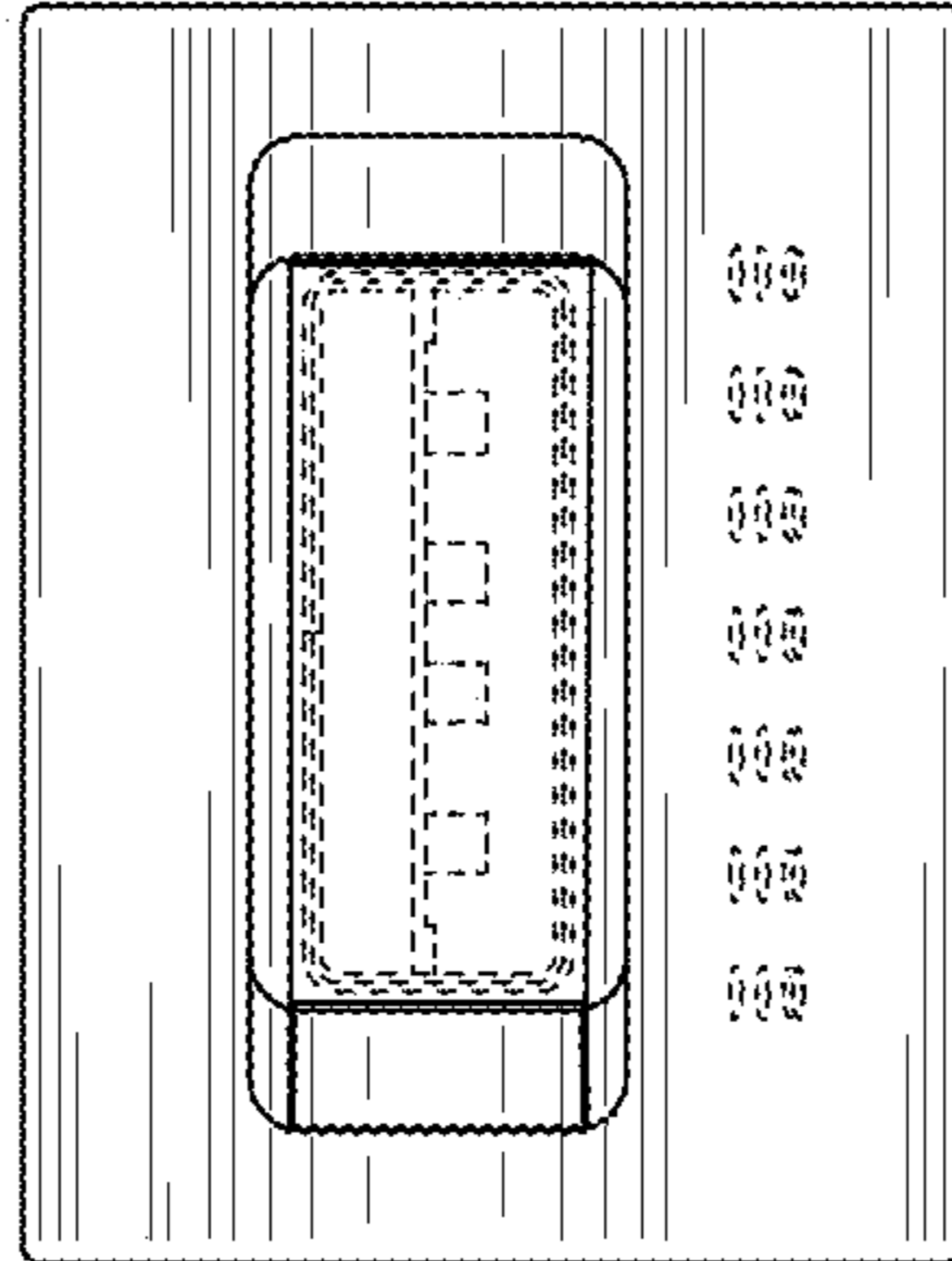


FIG. 5

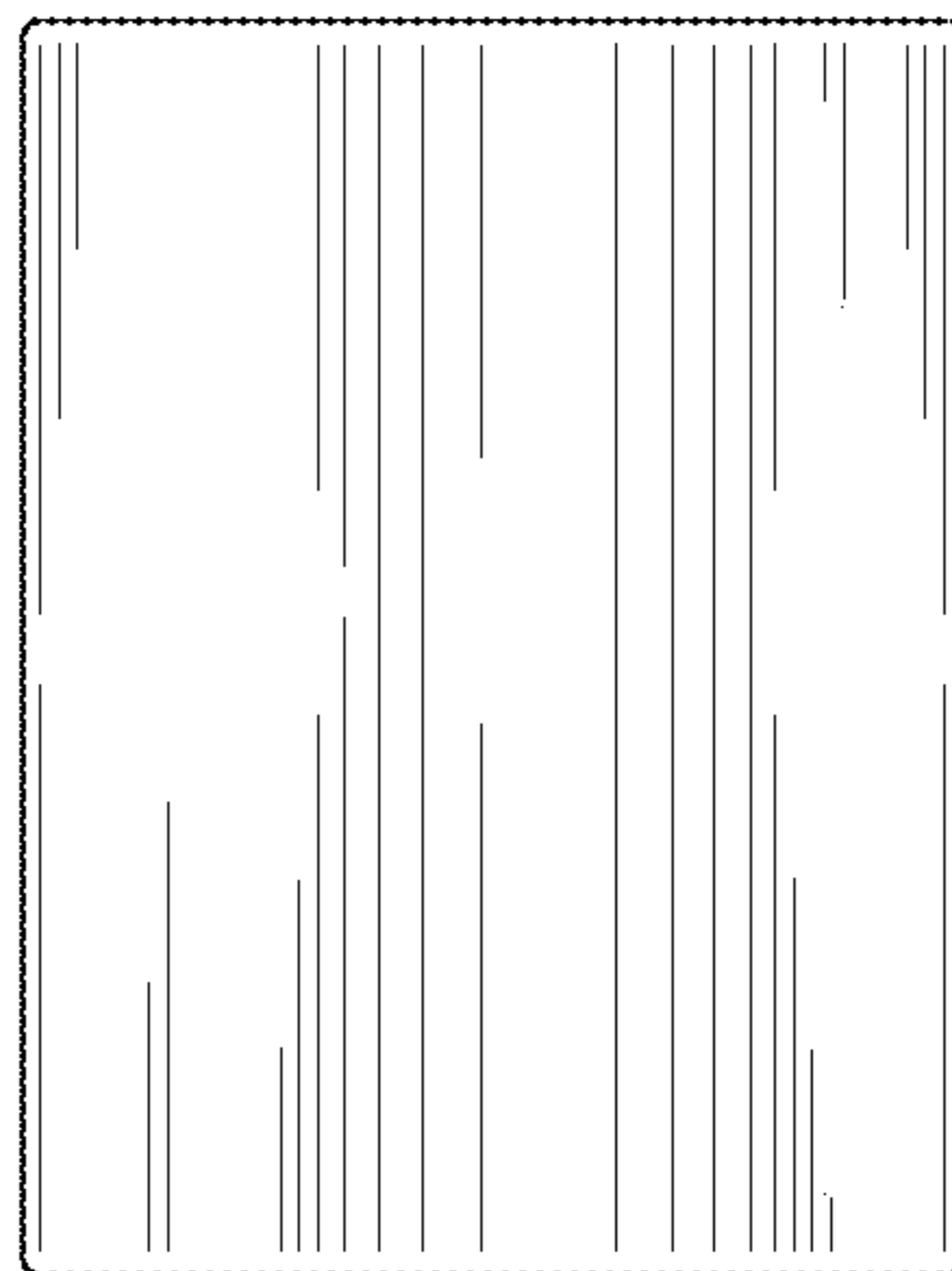


FIG. 6

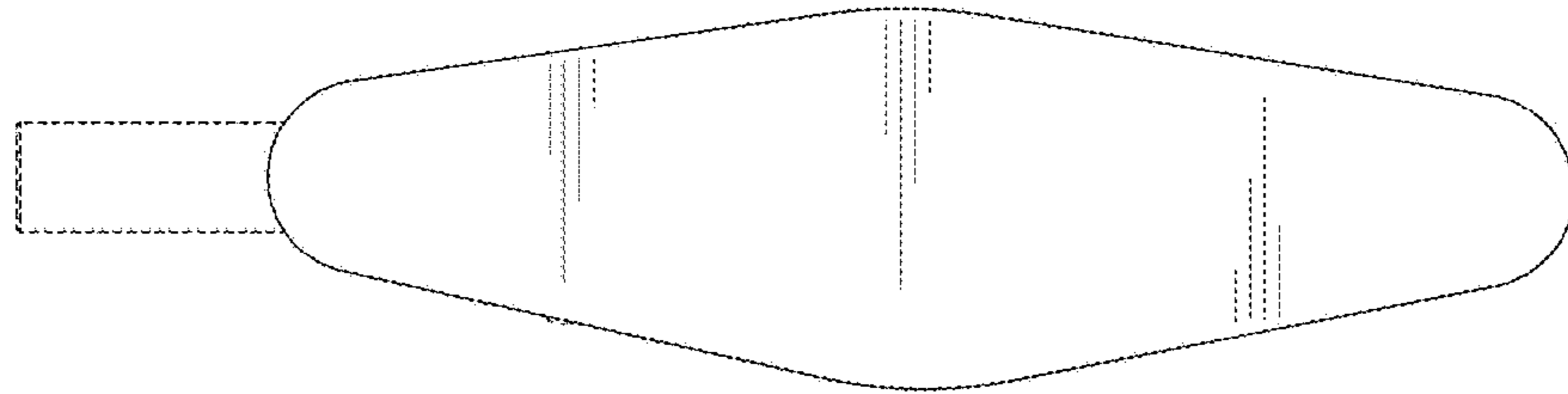


FIG. 7

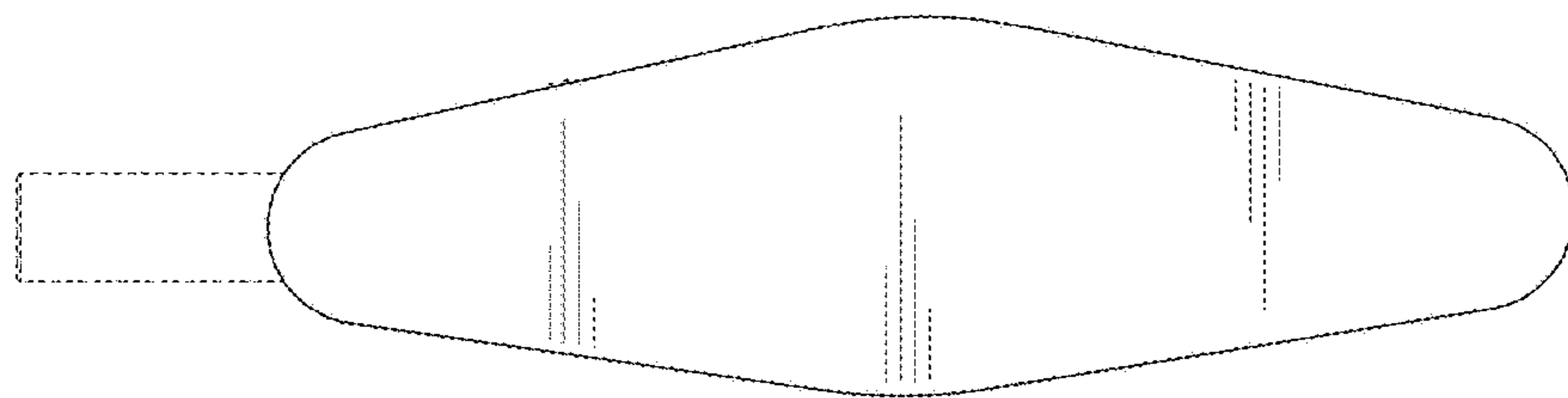


FIG. 8