



US00D805086S

(12) **United States Design Patent** (10) **Patent No.:** **US D805,086 S**
Sparks et al. (45) **Date of Patent:** **** Dec. 12, 2017**

(54) **ELECTRONIC HOUSING STAND**
(71) Applicant: **Microsoft Corporation**, Redmond, WA (US)
(72) Inventors: **Bryan A. Sparks**, Sammamish, WA (US); **Nicolas Denhez**, Seattle, WA (US); **YeongKyu Yoo**, Bellevue, WA (US); **Andrew Kim**, Bellevue, WA (US); **Young Duk Song**, Kirkland, WA (US); **Gregory G. Jones**, Seattle, WA (US); **Carl J. Ledbetter**, Mercer Island, WA (US)

D341,280 S 11/1993 Garmon
D369,789 S 5/1996 Lucente, II et al.
D393,451 S 4/1998 Faranda et al.
D402,641 S 12/1998 Heijnen
5,914,707 A 6/1999 Kono
D412,319 S 7/1999 Lee et al.
D415,740 S 10/1999 Lee et al.
D415,741 S 10/1999 Lee et al.
D416,547 S 11/1999 Lee et al.
D435,272 S 12/2000 Swanson et al.
D438,543 S 3/2001 Goto

(Continued)

(73) Assignee: **Microsoft Corporation**, Redmond, WA (US)

Nintendo NES [online], [retrieved on May 14, 2013]. Retrieved from internet, http://gamesdbase.com/system-nintendo_nes.aspx.

(Continued)

(**) Term: **15 Years**

Primary Examiner — Derrick Holland

Assistant Examiner — Janice Lim

(21) Appl. No.: **29/566,652**

(74) *Attorney, Agent, or Firm* — Banner & Witcoff, Ltd.

(22) Filed: **Jun. 1, 2016**

(51) **LOC (10) Cl.** **16-03**

(52) **U.S. Cl.**
USPC **D14/471**; D14/238

(58) **Field of Classification Search**
USPC D13/107, 108, 118, 119; D14/238, 251, D14/432, 434, 451, 471; 248/176.1, 248/346.03; 320/107, 109, 110, 112–115; 361/600, 679.41, 679.31–679.33, 679.4, 361/679.43, 679.55, 679.58; 439/347, 439/534; 455/556.1–556.2, 557
CPC A47B 81/06; G06F 1/181; G11B 33/02; G11B 33/025; H05K 5/0234; Y10S 248/917; Y10S 248/918

See application file for complete search history.

(56) **References Cited**

U.S. PATENT DOCUMENTS

D336,287 S 6/1993 Mizusugi et al.
D338,882 S 8/1993 Reiter

(57) **CLAIM**

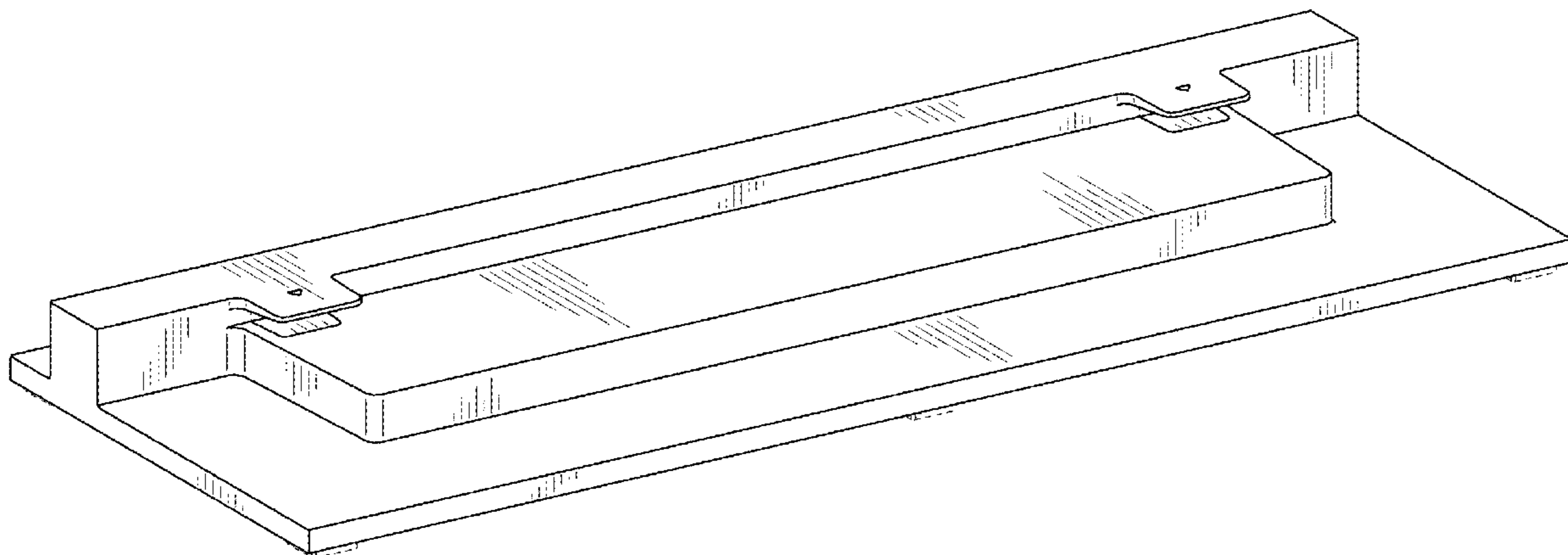
The ornamental design for an electronic housing stand, as shown and described.

DESCRIPTION

FIG. 1 is a front perspective view of an electronic housing stand showing our new design;
FIG. 2 is a front view thereof;
FIG. 3 is a rear view thereof;
FIG. 4 is a right side view thereof;
FIG. 5 is a left side view thereof;
FIG. 6 is a top view thereof;
FIG. 7 is a bottom view thereof; and,
FIG. 8 is a front perspective view thereof, shown in environmental use.

The broken line portions show unclaimed subject matter only and form no part of the claimed design.

1 Claim, 8 Drawing Sheets



(56)

References Cited

U.S. PATENT DOCUMENTS

D441,759 S 5/2001 Goto
 D452,282 S 12/2001 Stewart et al.
 D452,495 S 12/2001 Murnaghan et al.
 D452,867 S 1/2002 Goto
 D458,269 S 6/2002 Goto
 6,565,444 B2 5/2003 Nagata et al.
 D486,492 S 2/2004 Sheu et al.
 6,930,600 B1 8/2005 Hsieh
 6,941,181 B1 9/2005 Mathurin
 D524,242 S * 7/2006 Adams D13/103
 7,090,582 B2 8/2006 Danieli et al.
 D554,582 S 11/2007 Iseki
 D557,680 S 12/2007 Corsini
 D561,186 S 2/2008 Kawase
 D568,276 S 5/2008 Ikeda et al.
 D576,686 S 9/2008 Ashida et al.
 D606,094 S 12/2009 Kimura
 D610,625 S 2/2010 Guinchard et al.
 D641,024 S 7/2011 Zenri et al.
 D647,918 S 11/2011 Ledbetter et al.
 D650,448 S 12/2011 Zenri et al.
 D655,351 S 3/2012 Zenri et al.
 D656,555 S 3/2012 Zenri et al.
 D657,788 S 4/2012 Ledbetter et al.
 D664,993 S 8/2012 Ledbetter et al.
 D665,424 S 8/2012 Ledbetter et al.
 D666,680 S 9/2012 Mercier et al.
 D680,174 S 4/2013 Mercier et al.
 D685,795 S * 7/2013 Paschke D14/434
 D692,009 S 10/2013 Ashida et al.
 D692,437 S 10/2013 Sugino et al.
 D700,246 S 2/2014 Jacobs et al.
 D701,213 S * 3/2014 Pajic D14/447
 D705,361 S 5/2014 Jacobs et al.
 D705,869 S 5/2014 Jacobs et al.
 D705,870 S 5/2014 Jacobs et al.
 D705,871 S 5/2014 Jacobs et al.
 D709,133 S 7/2014 Jacobs et al.
 D709,134 S 7/2014 Dallmeyer et al.
 D709,959 S 7/2014 Jacobs et al.
 D711,923 S 8/2014 Dallmeyer et al.
 D712,350 S * 9/2014 Smith D13/108

D713,420 S 9/2014 Dallmeyer et al.
 D719,958 S 12/2014 Dallmeyer et al.
 D726,729 S 4/2015 Lim
 D747,322 S 1/2016 Li
 D766,984 S 9/2016 Chatterjee et al.
 D766,985 S 9/2016 Chatterjee et al.
 D768,639 S 10/2016 Sumii

OTHER PUBLICATIONS

Way Back Machine [online], [retrieved Jan. 16, 2013]. Retrieved from internet, <http://web.archive.org/web/20130116120917/http://www.klipsch.com/gallery-g17-air>.
 "Nintendo Wii Review", Top 10 Reviews ; URL: <<http://www.toptenreviews.com/electronics/gaming/best-video-game-consoles/nintendo-wii/review/>>; date accessed Sep. 27, 2016.
 "PS4 Console", PS4 Features, Games & Videos ; <URL:<https://www.playstation.com/en-us/explore/ps4/>>; date accessed Sep. 27, 2016.
 "Sony Playstation 2", The Video Game Critic's Console Reviews ; <URL:<http://videogamecritic.com/ps2info.htm>>; date accessed Sep. 27, 2016.
 X Box One S found online [Nov. 2, 2016] http://www.xbox.com/en-US/xbox-one-s?&ocid=PORTALS_SEM_google_microsoft%20xbox&cid=PORTALS_SEM_google_microsoft%20xbox.
 Nov. 30, 2016—U.S. Non-Final Office Action—U.S. Appl. No. 29/564,527, filed May 13, 2016; Inv.: Bryan A. Sparks.
 Nov. 28, 2016—U.S. Non-Final Office Action—U.S. Appl. No. 29/564,514, filed May 13, 2016; Inv.: Bryan A. Sparks.
 Nov. 30, 2016—U.S. Non-Final Office Action—U.S. Appl. No. 29/564,511, filed May 13, 2016; Inv.: Bryan A. Sparks.
 Nov. 28, 2016—U.S. Non-Final Office Action—U.S. Appl. No. 29/564,518, filed May 13, 2016; Inv.: Bryan A. Sparks.
 Nov. 30, 2016—U.S. Non-Final Office Action—U.S. Appl. No. 29/564,522, filed May 13, 2016; Inv.: Bryan A. Sparks.
 U.S. Appl. No. 29/564,511, filed May 13, 2016.
 U.S. Appl. No. 29/564,514, filed May 13, 2016.
 U.S. Appl. No. 29/564,518, filed May 13, 2016.
 U.S. Appl. No. 29/564,522, filed May 13, 2016.
 U.S. Appl. No. 29/564,601, filed May 13, 2016.
 U.S. Appl. No. 29/565,527, filed May 13, 2016.

* cited by examiner

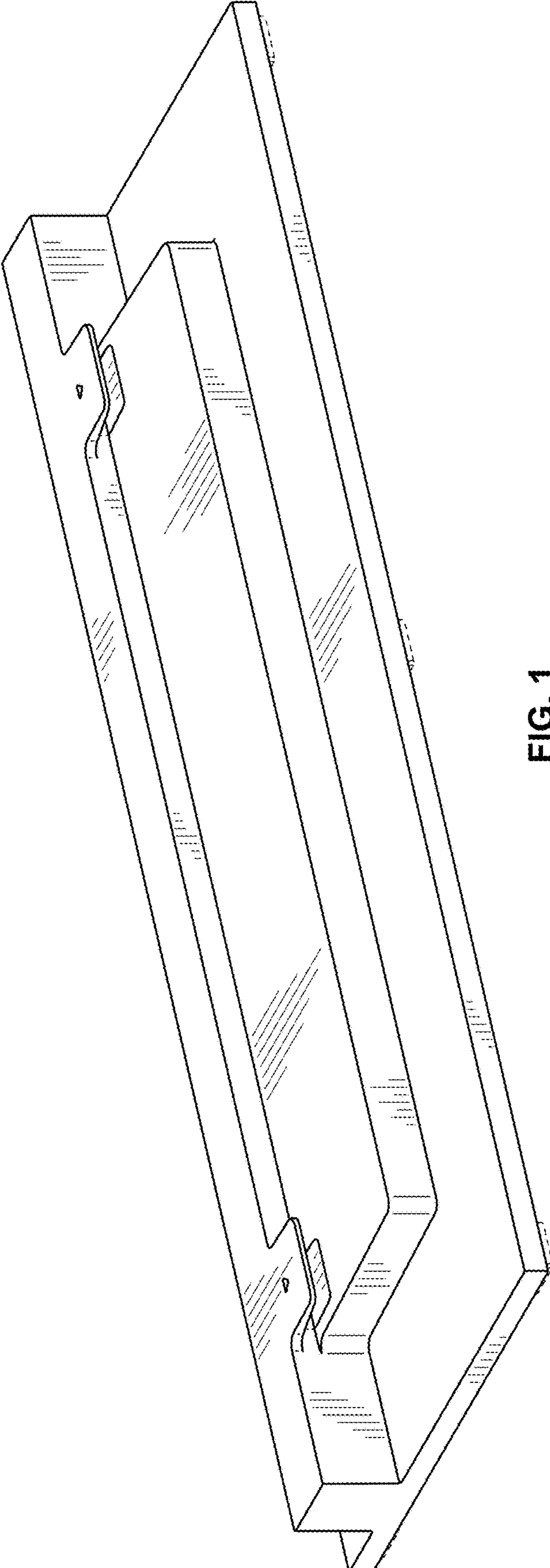


FIG. 1

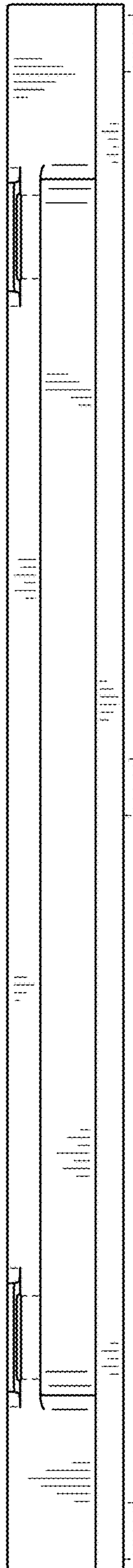


FIG. 2

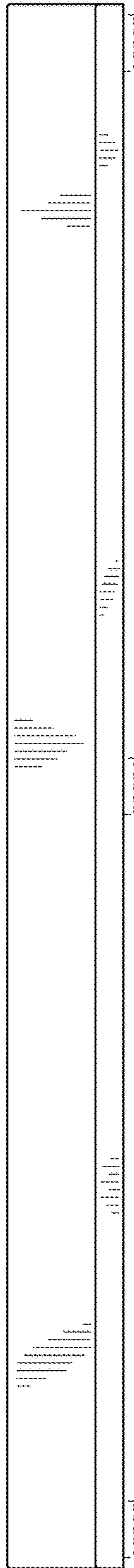


FIG. 3

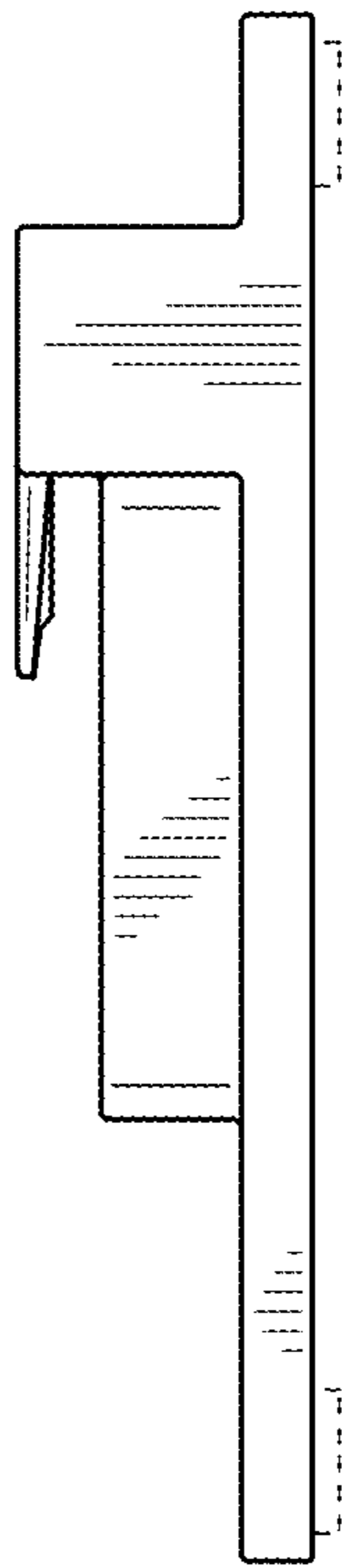


FIG. 4

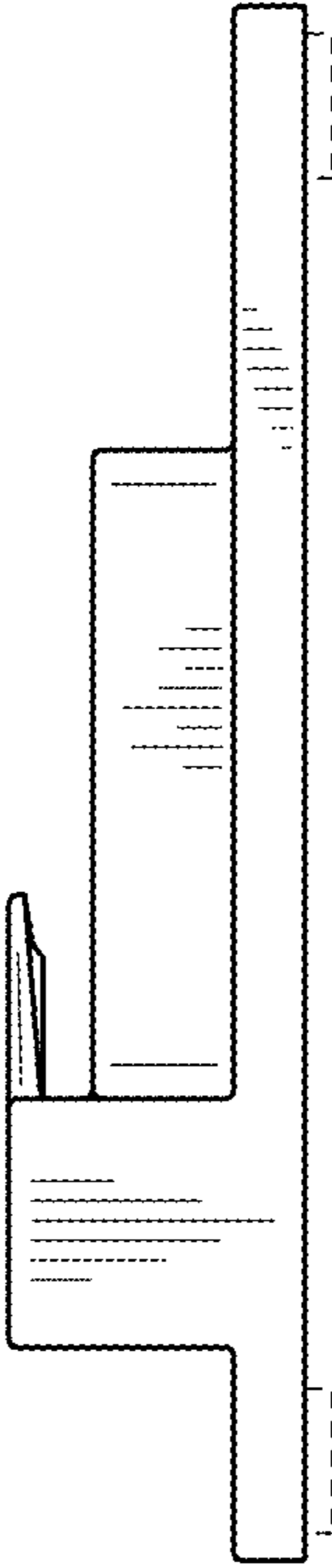


FIG. 5

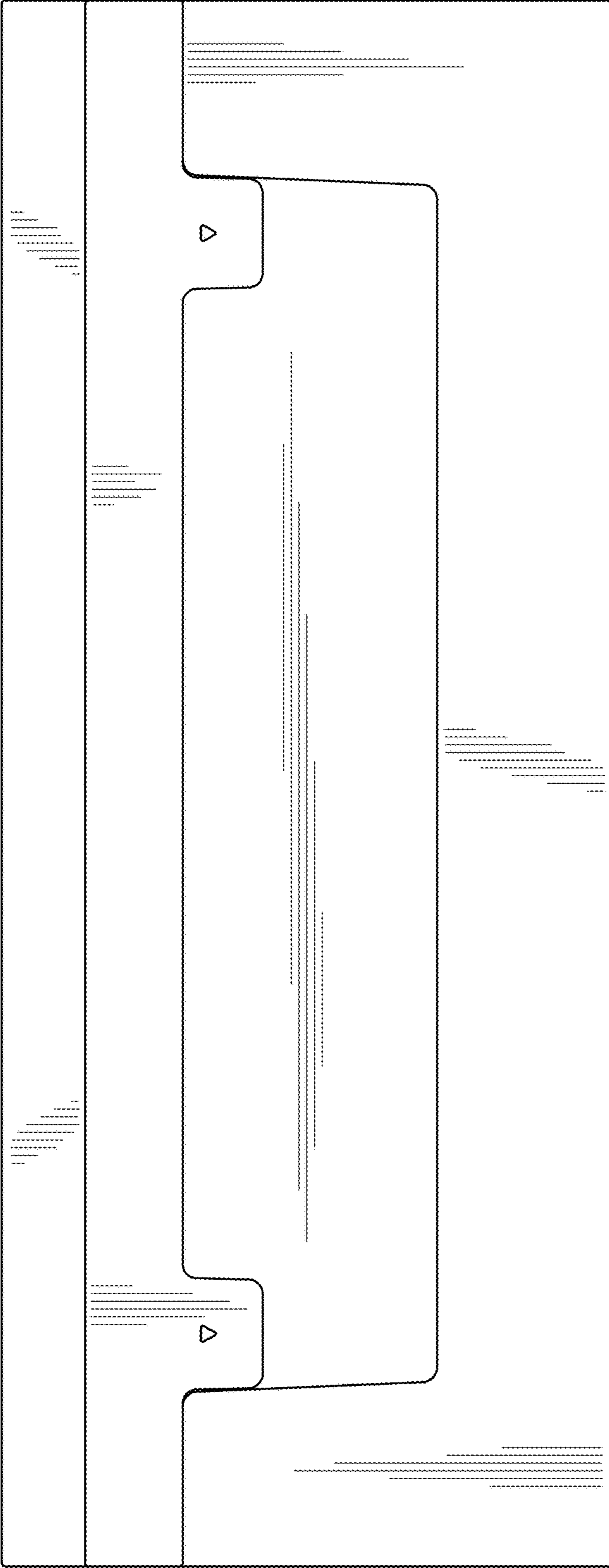


FIG. 6

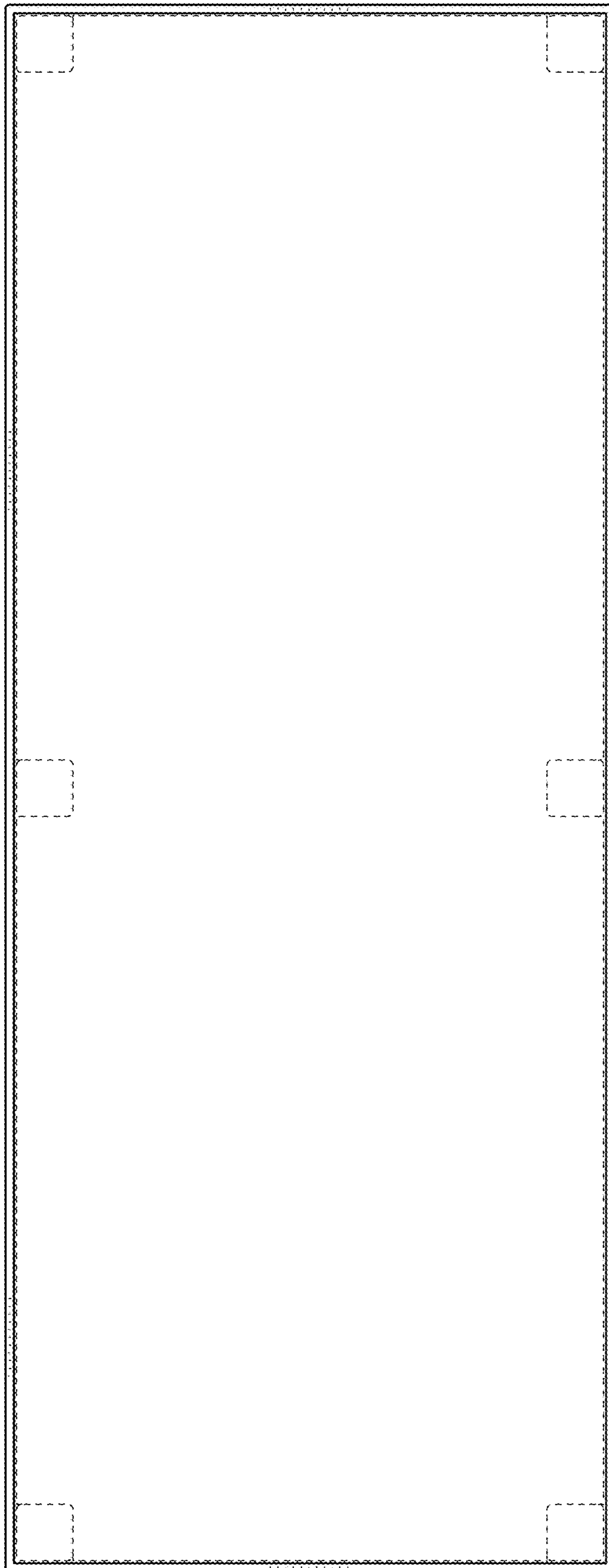


FIG. 7

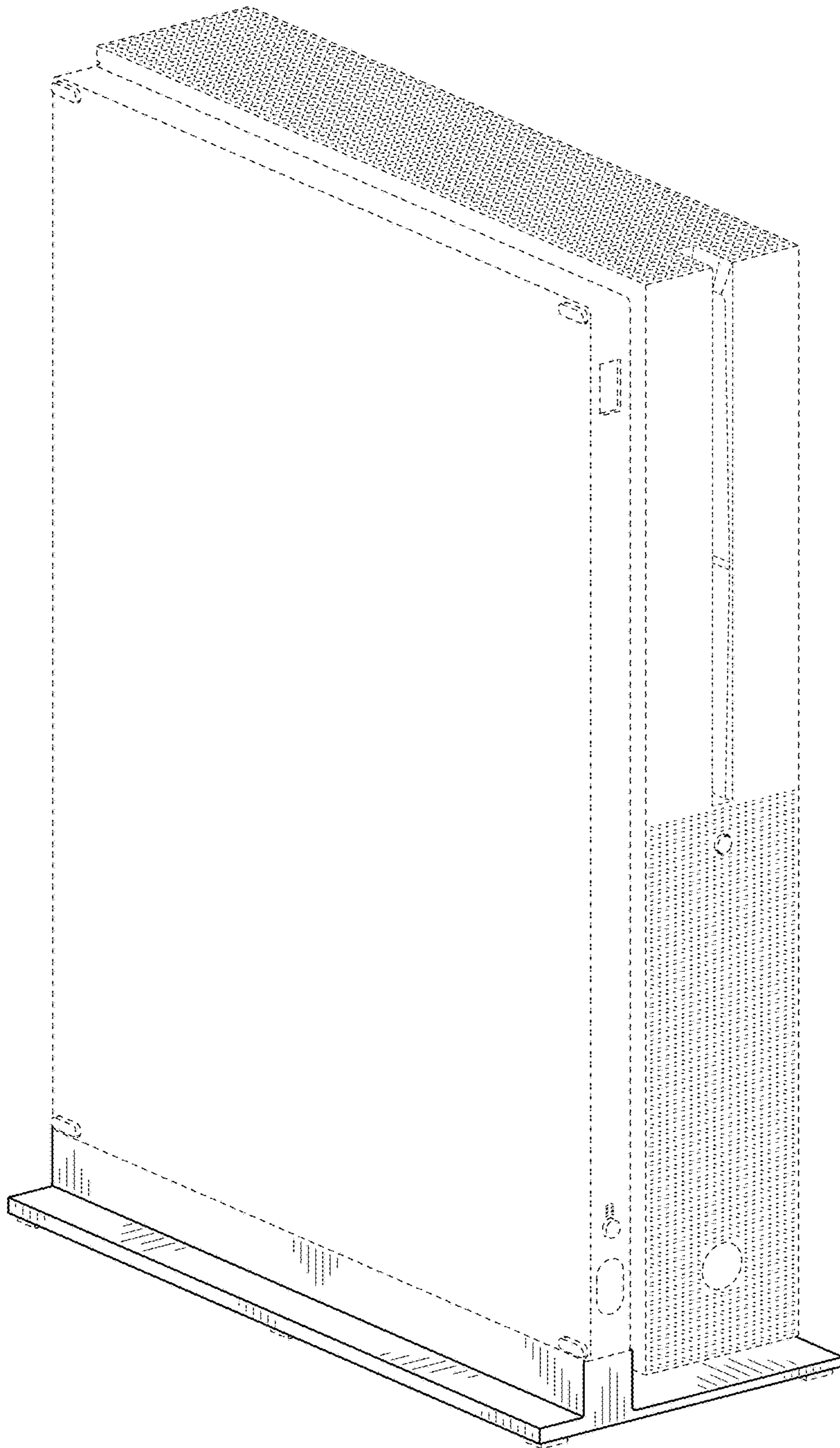


FIG. 8