



US00D805084S

(12) **United States Design Patent** (10) **Patent No.:** **US D805,084 S**  
**Aryeh** (45) **Date of Patent:** **\*\* Dec. 12, 2017**

(54) **PLUSH TABLET CASE**  
(71) Applicant: **All My Toys, LLC**, New York, NY (US)  
(72) Inventor: **Alexandra Aryeh**, New York, NY (US)  
(73) Assignee: **All My Toys, LLC**, New York, NY (US)

D719,575 S \* 12/2014 Elliott ..... D14/440  
D719,957 S \* 12/2014 Elliott ..... D14/440  
D720,356 S \* 12/2014 Elliott ..... D14/440  
D721,079 S \* 1/2015 Fujioka ..... D14/440  
D722,058 S \* 2/2015 Elliott ..... D14/440  
D752,055 S 3/2016 Aryeh  
2011/0139945 A1\* 6/2011 Fahrberger ..... H04M 1/04  
248/121  
2013/0137337 A1\* 5/2013 Park ..... A63H 3/003  
446/73

(\*\*) Term: **15 Years**

\* cited by examiner

(21) Appl. No.: **29/574,432**

*Primary Examiner* — Angela J Lee

(22) Filed: **Aug. 15, 2016**

(74) *Attorney, Agent, or Firm* — Gottlieb, Rackman & Reisman, PC

(51) **LOC (10) Cl.** ..... **08-07**

(57) **CLAIM**

(52) **U.S. Cl.**  
USPC ..... **D14/447**

The ornamental design for a plush tablet case, as shown and described.

(58) **Field of Classification Search**  
USPC ..... D14/447, 432, 434, 439, 440, 451, 452, D14/457, 239; D8/363, 373, 380, 406.3, D8/406.4, 406.5, 406.6; D12/415  
CPC ..... A47B 21/04; A47B 2097/006; A47B 2097/005; A47B 2023/049; A45C 2011/002; A45C 2011/003; F16M 2200/00; F16M 13/00  
See application file for complete search history.

**DESCRIPTION**

(56) **References Cited**

FIG. 1 is a front perspective view of an embodiment of a plush tablet case showing my new design;  
FIG. 2 is a front view thereof;  
FIG. 3 is a rear view thereof;  
FIG. 4 is a right side view thereof;  
FIG. 5 is a left side view thereof;  
FIG. 6 is a top view thereof;  
FIG. 7 is a bottom view thereof;  
FIG. 8 is a first rear perspective view thereof; and,  
FIG. 9 is a second rear perspective view thereof.

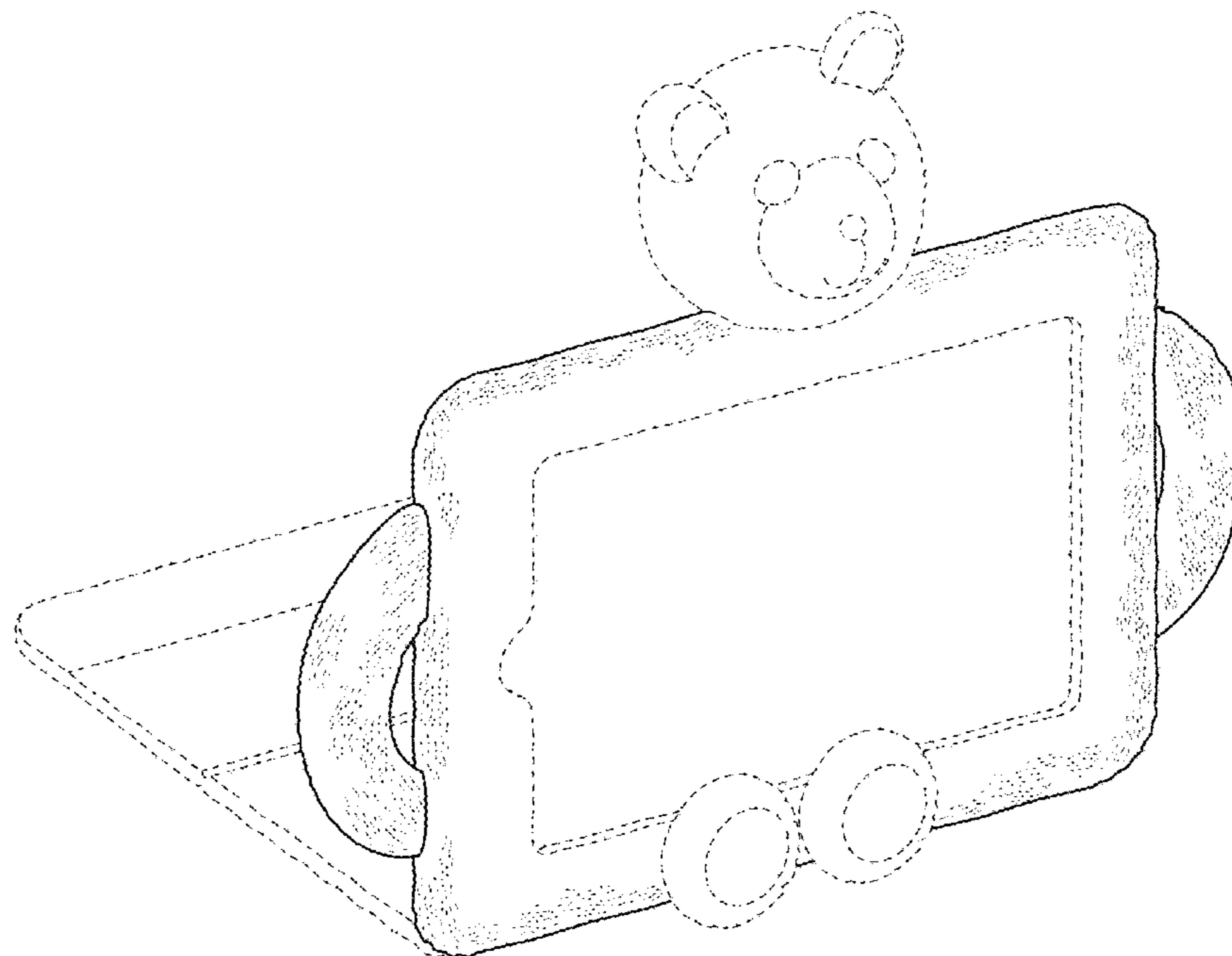
**U.S. PATENT DOCUMENTS**

D495,705 S \* 9/2004 Borsboom ..... D14/371  
D591,249 S \* 4/2009 Chen ..... D14/126  
D666,213 S \* 8/2012 Fahrberger ..... D14/496  
D714,773 S \* 10/2014 Derrig ..... D14/253  
D715,803 S \* 10/2014 Major ..... D14/447  
D715,805 S \* 10/2014 Hilton ..... D14/447

The broken lines shown in the drawings are included for the purpose of illustrating portions of the article that form no part of the claimed design.

The shading included in the drawings depicts texturing of plush features of the case.

**1 Claim, 6 Drawing Sheets**



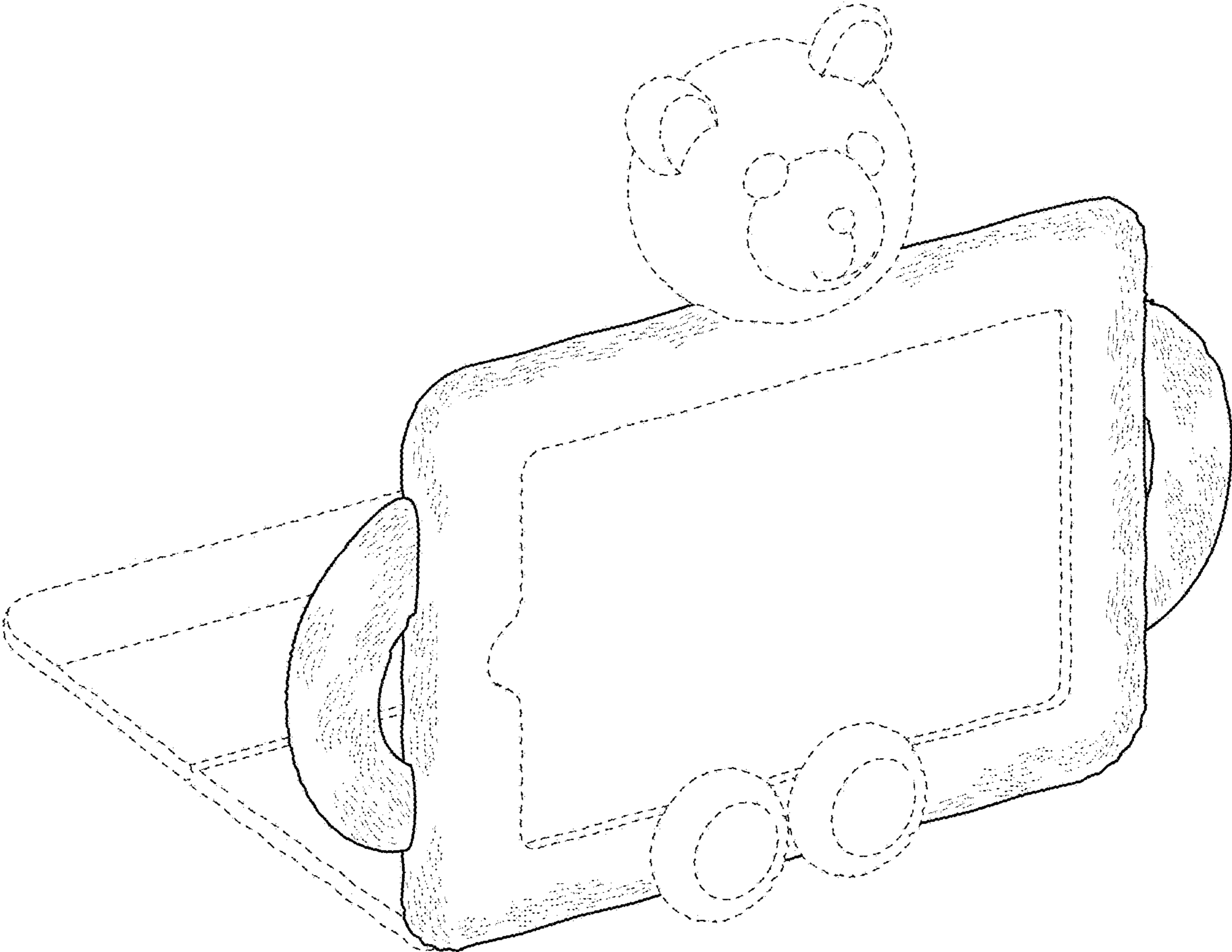


FIG. 1

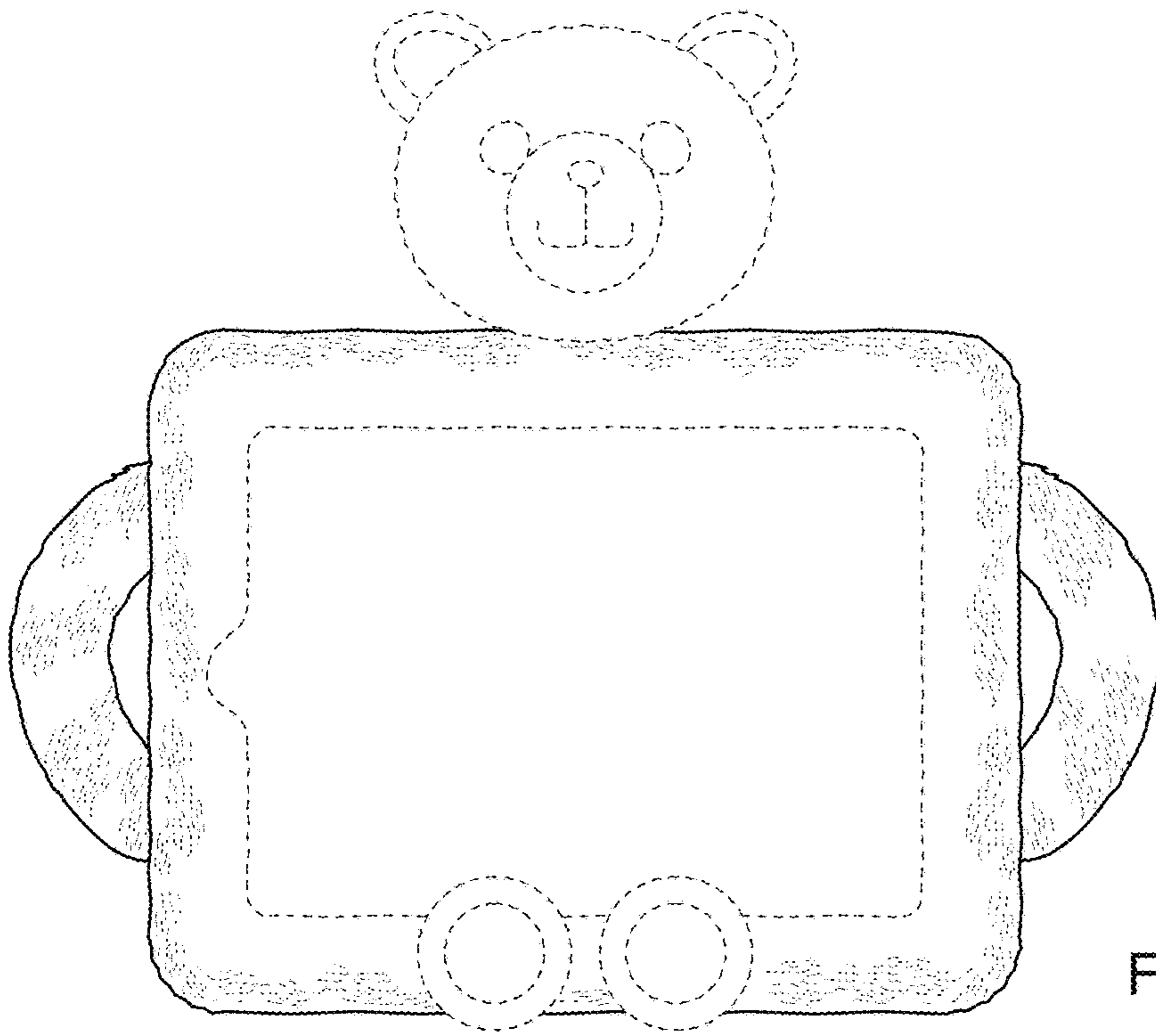


FIG. 2

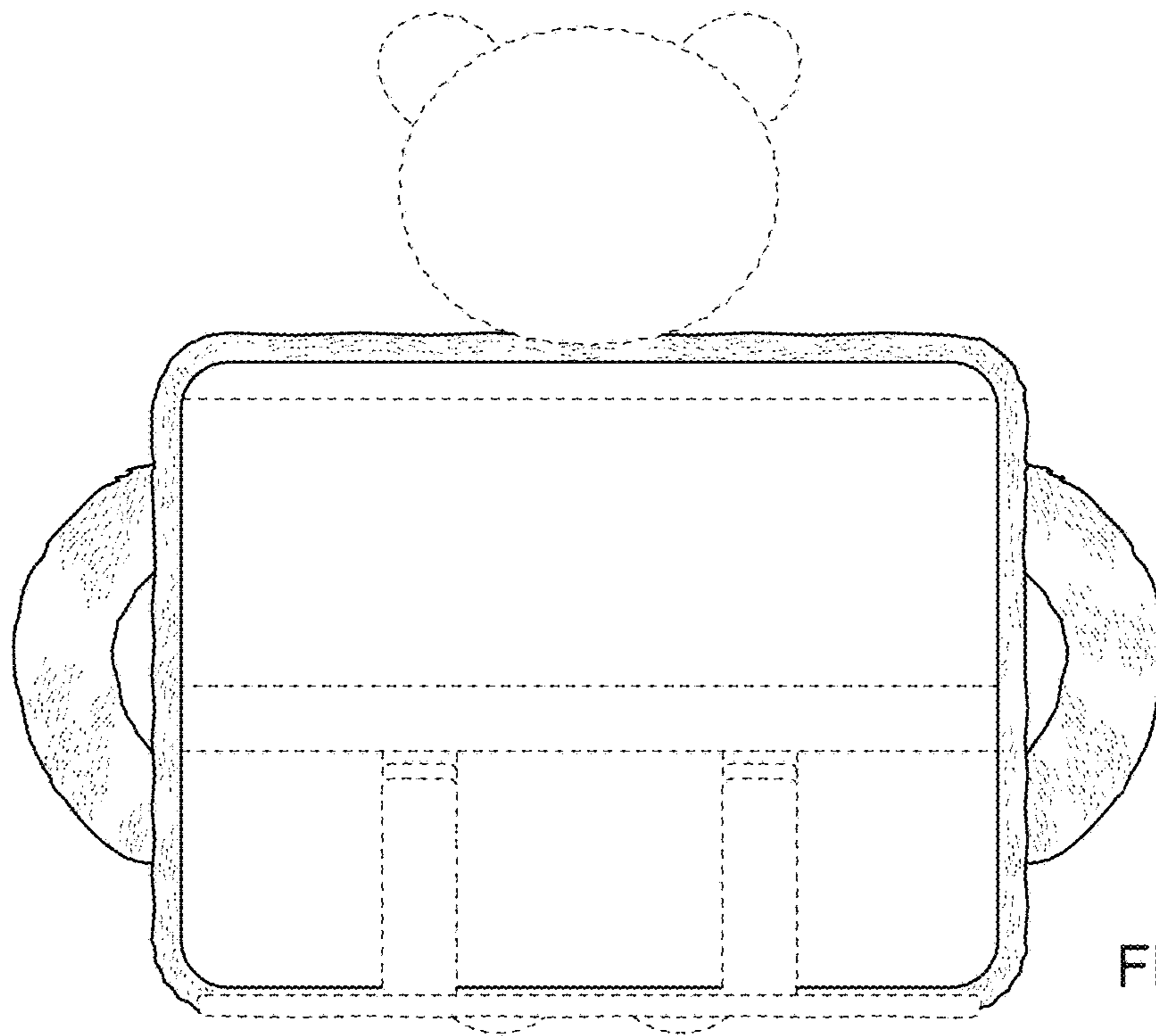


FIG. 3

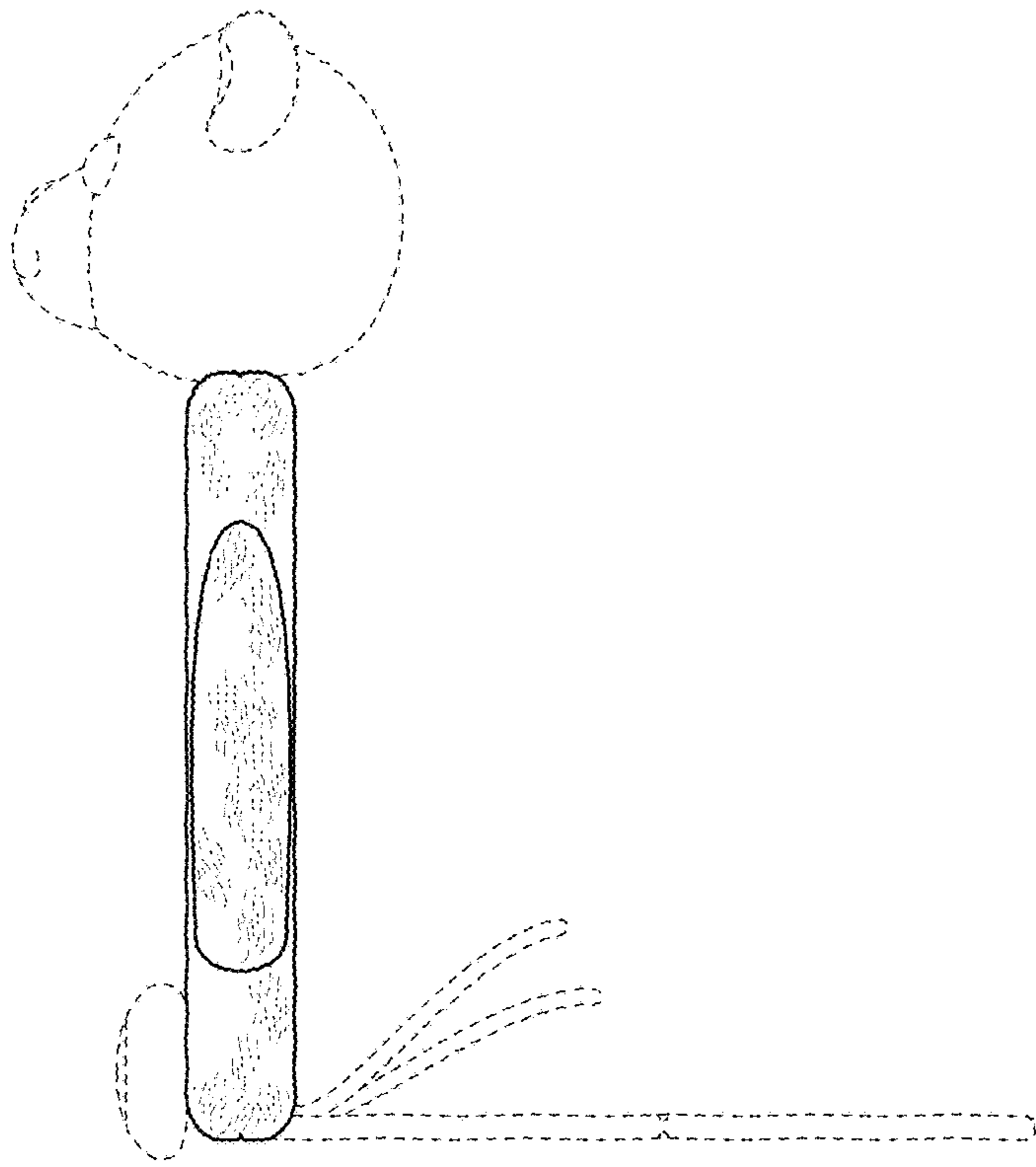


FIG. 4

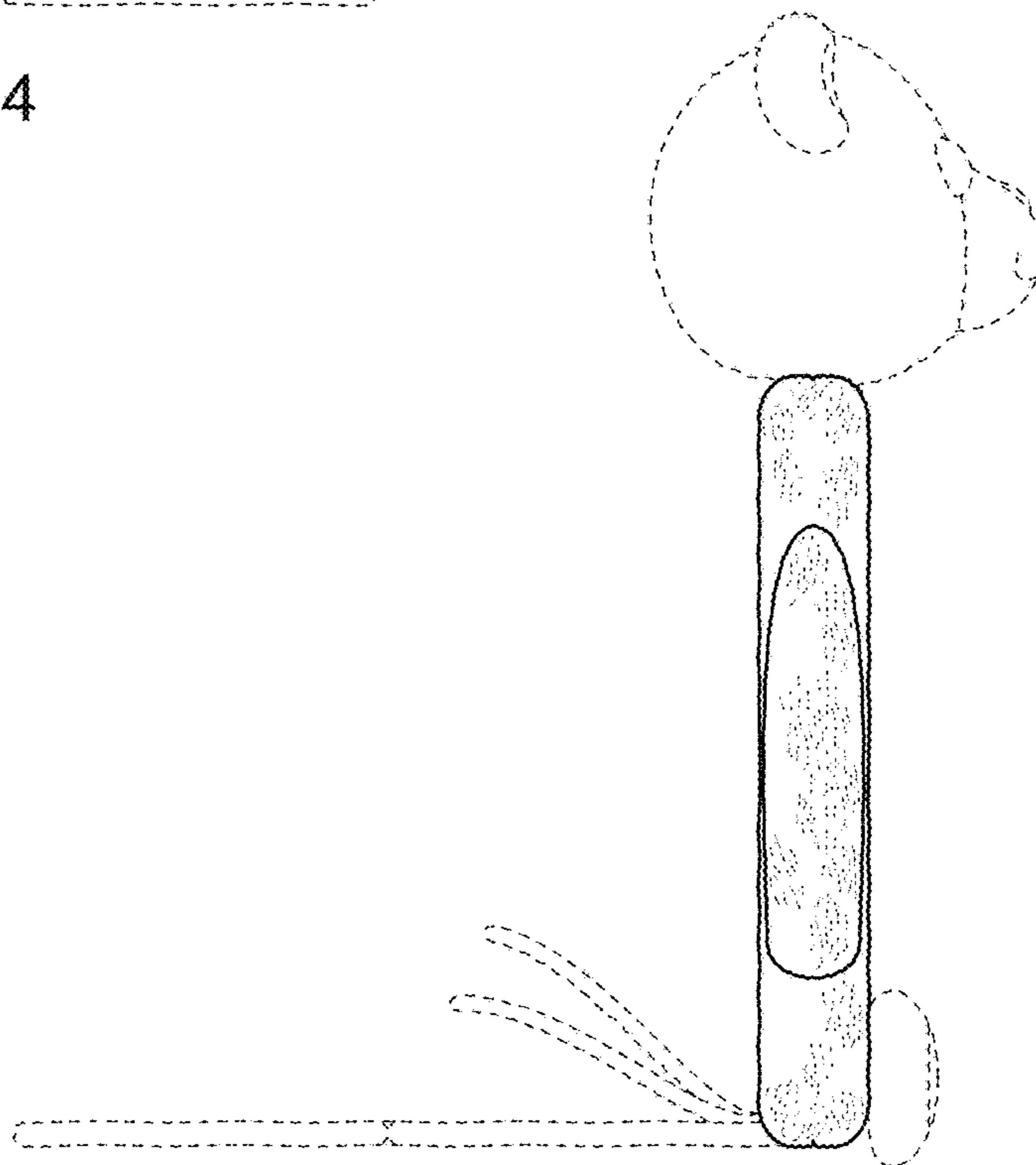


FIG. 5

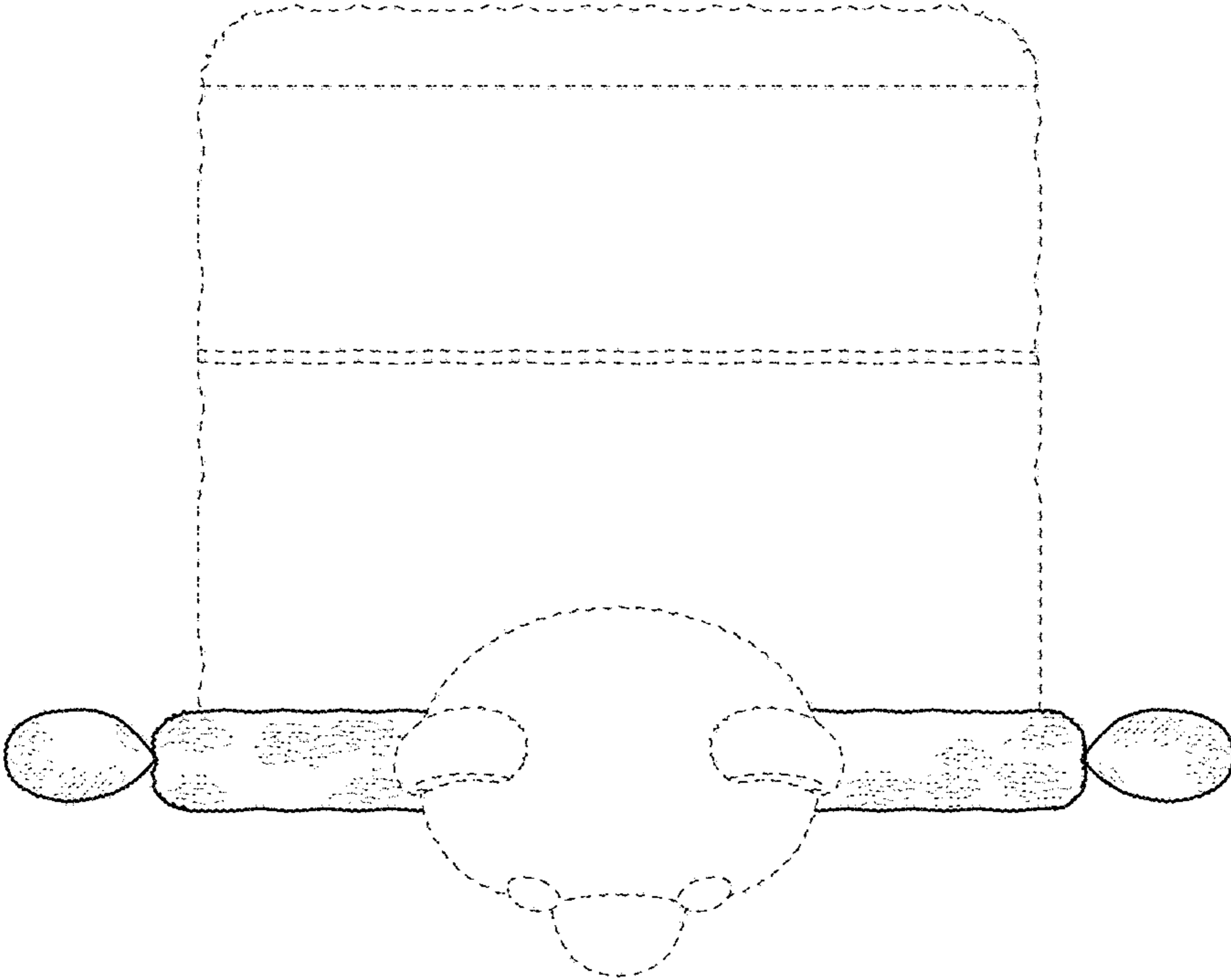


FIG. 6

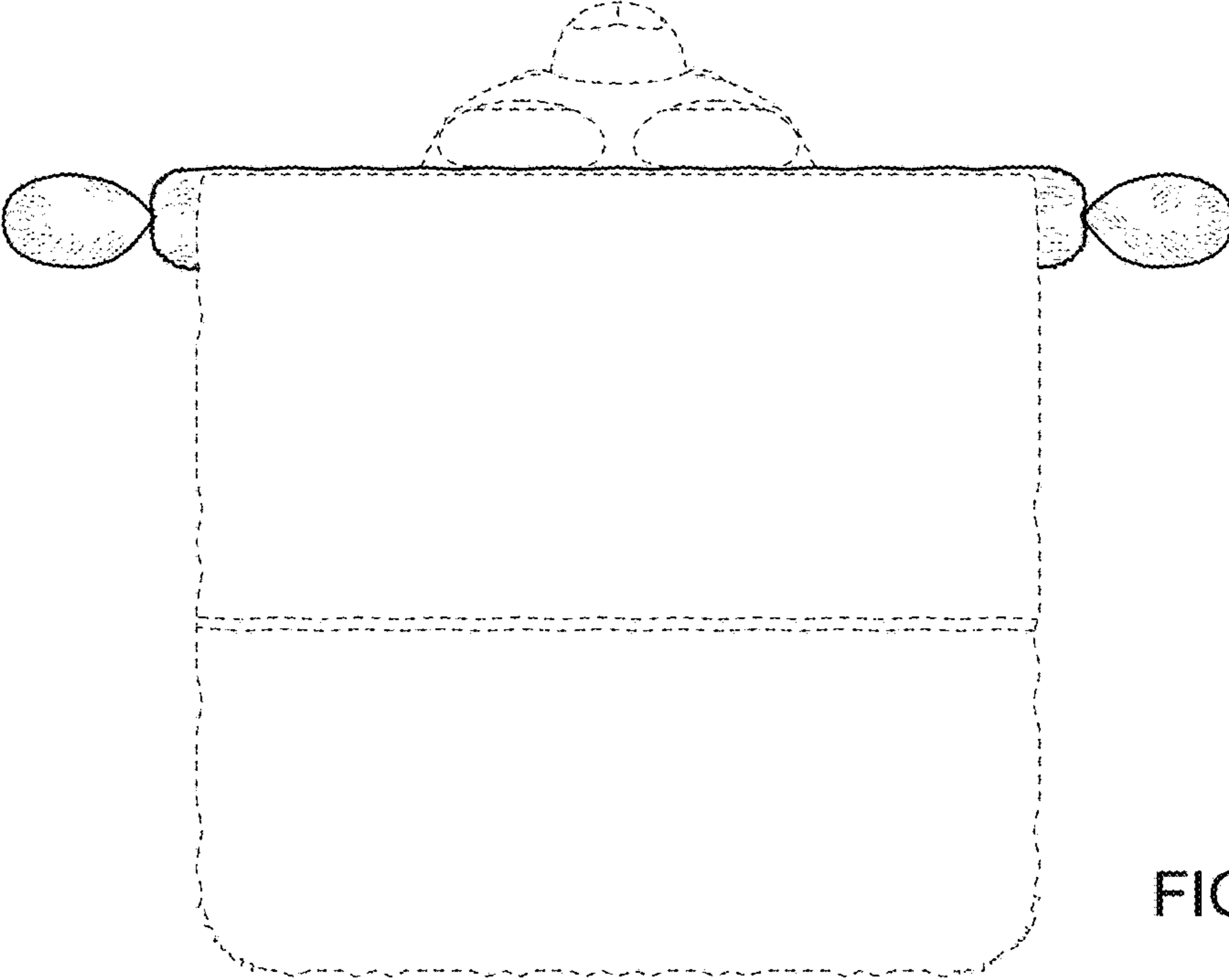


FIG. 7

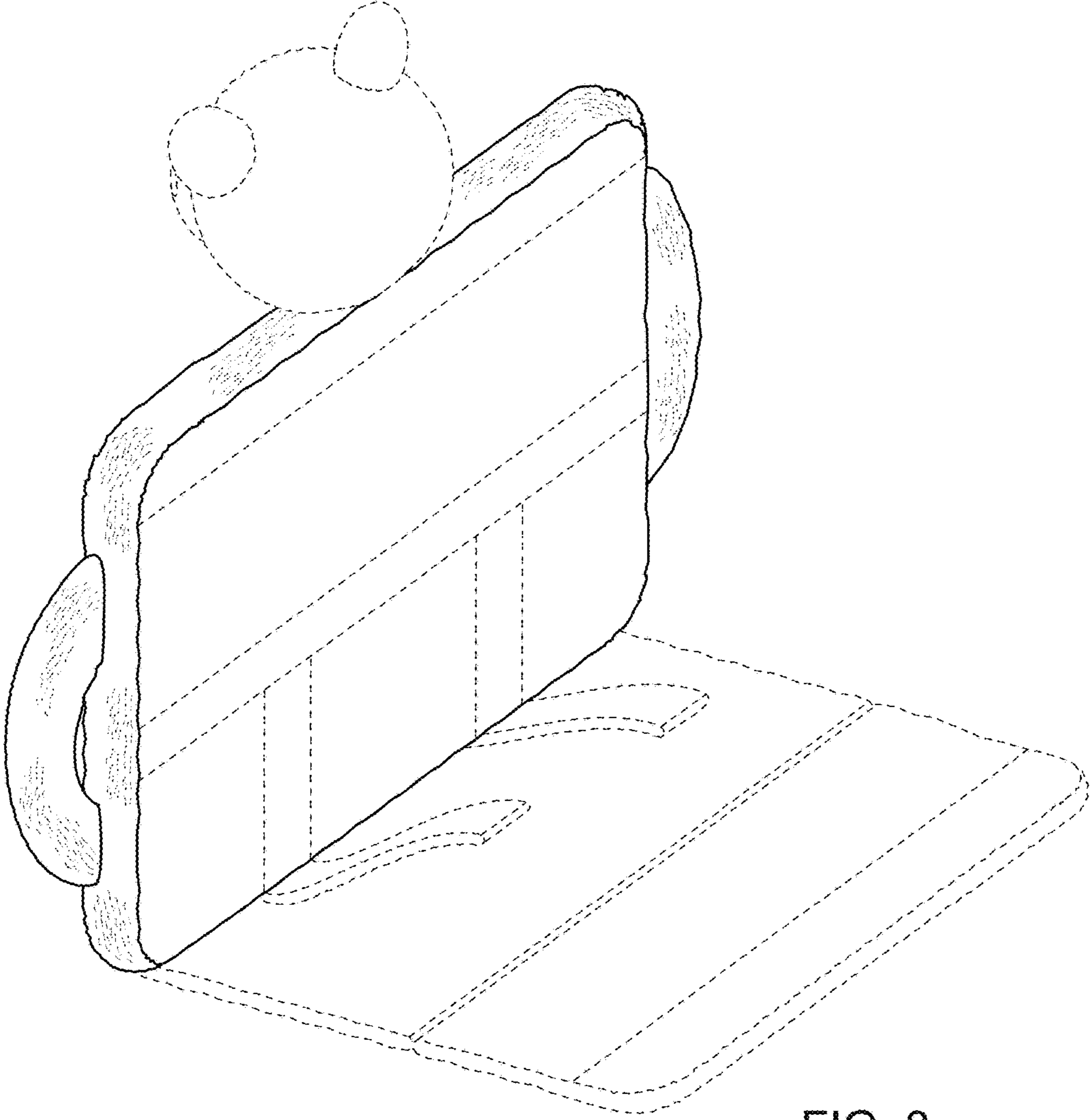


FIG. 8

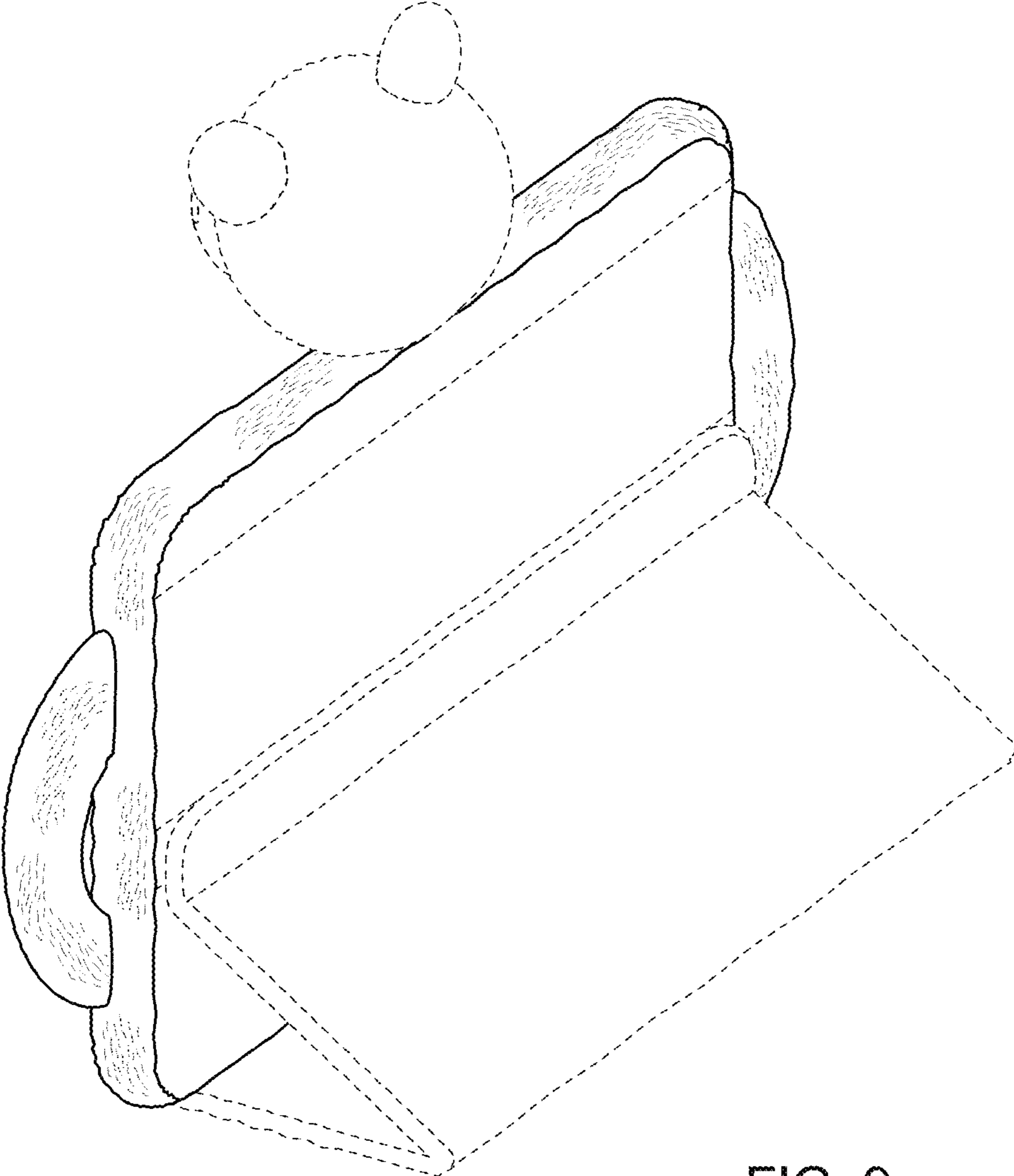


FIG. 9