



US00D805083S

(12) **United States Design Patent** (10) **Patent No.:** **US D805,083 S**
Hamra (45) **Date of Patent:** **** Dec. 12, 2017**

(54) **UNIVERSAL SLING MOUNT ATTACHMENT**

(71) Applicant: **RED STREET VENTURES, LLC,**
Austin, TX (US)

(72) Inventor: **Andrew Hamra,** Austin, TX (US)

(73) Assignee: **Red Street Ventures LLC,** Austin, TX
(US)

(**) Term: **15 Years**

(21) Appl. No.: **29/570,391**

(22) Filed: **Jul. 7, 2016**

(51) **LOC (10) Cl.** **08-07**

(52) **U.S. Cl.**
USPC **D14/447**

(58) **Field of Classification Search**
USPC D14/447, 432, 434, 439, 440, 451, 452,
D14/457, 239; D8/363, 373, 380, 406.3,
D8/406.4, 406.5, 406.6; D12/415
CPC A47B 21/04; A47B 2097/006; A47B
2097/005; A47B 2023/049; A45C
2011/002; A45C 2011/003; F16M
2200/00; F16M 13/00
See application file for complete search history.

(56) **References Cited**

U.S. PATENT DOCUMENTS

D484,778 S * 1/2004 French D8/373
D556,027 S * 11/2007 Cuzzocrea D8/373

D616,732 S * 6/2010 Brockington D8/373
D694,219 S * 11/2013 Parraga Gimeno D14/217
D748,099 S * 1/2016 Heid D14/447
D749,596 S * 2/2016 Khodapanah D14/447
D750,612 S * 3/2016 Chen D14/253
D752,597 S * 3/2016 Girault D14/447
D765,549 S * 9/2016 Khodapanah D12/114
D784,354 S * 4/2017 Abreu D14/447
D784,997 S * 4/2017 Cheng D14/447
D785,638 S * 5/2017 Hsu D14/447

* cited by examiner

Primary Examiner — Angela J Lee

(74) *Attorney, Agent, or Firm* — Kramer Amado, P.C.

(57) **CLAIM**

The ornamental design for the universal sling mount attachment, as shown and described.

DESCRIPTION

FIG. 1 is a front perspective view of a universal sling mount attachment;
FIG. 2 is a rear perspective view thereof;
FIG. 3 is a front elevation view thereof;
FIG. 4 is a rear elevation view thereof;
FIG. 5 is a left side elevation view thereof;
FIG. 6 is a right side elevation view thereof;
FIG. 7 is a top plan view thereof;
FIG. 8 is a bottom plan view thereof; and,
FIG. 9 is an exploded front perspective view thereof.
Portions shown as broken lines are for illustrative purposes only and form no part of the claimed design.

1 Claim, 4 Drawing Sheets

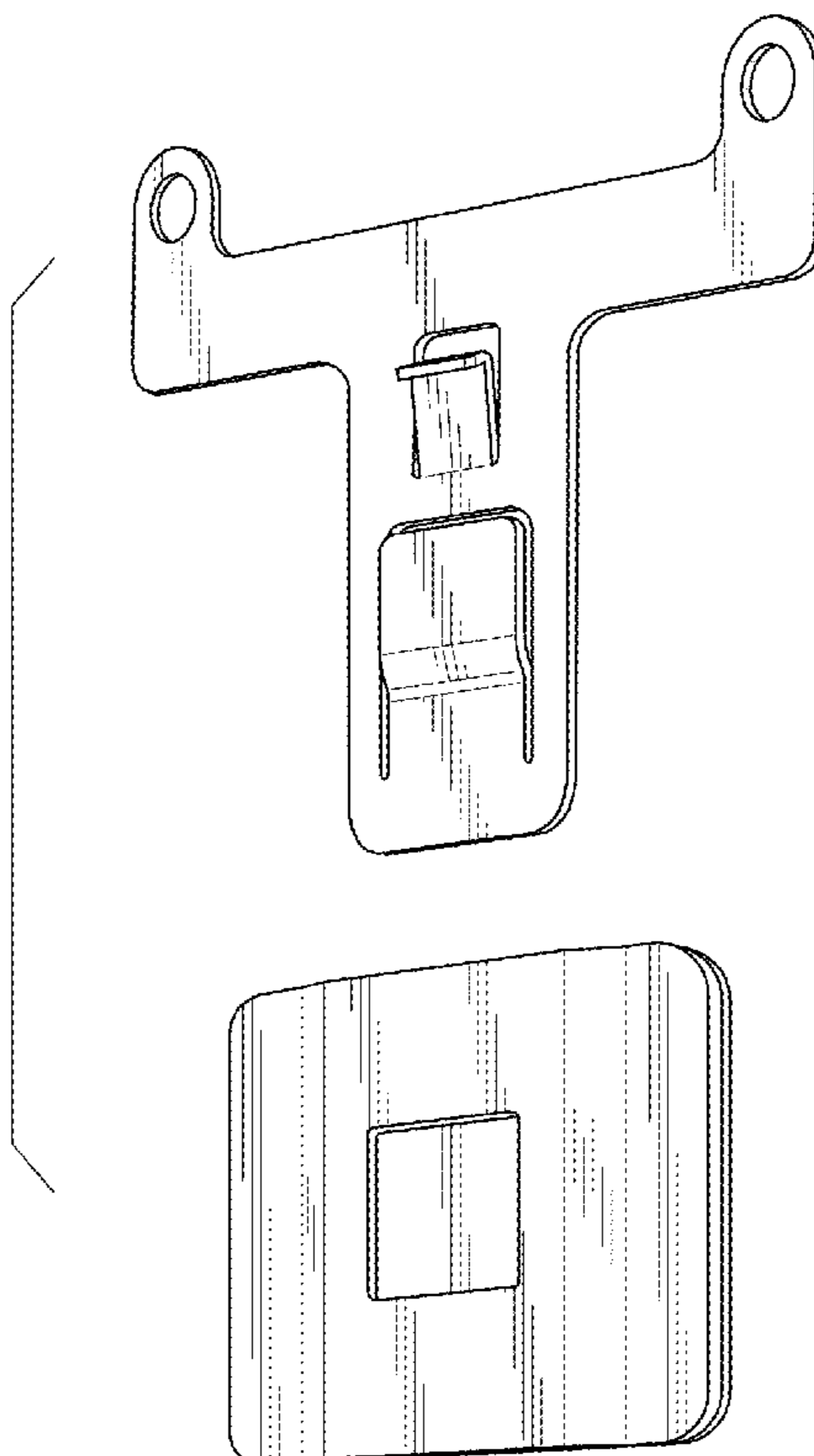
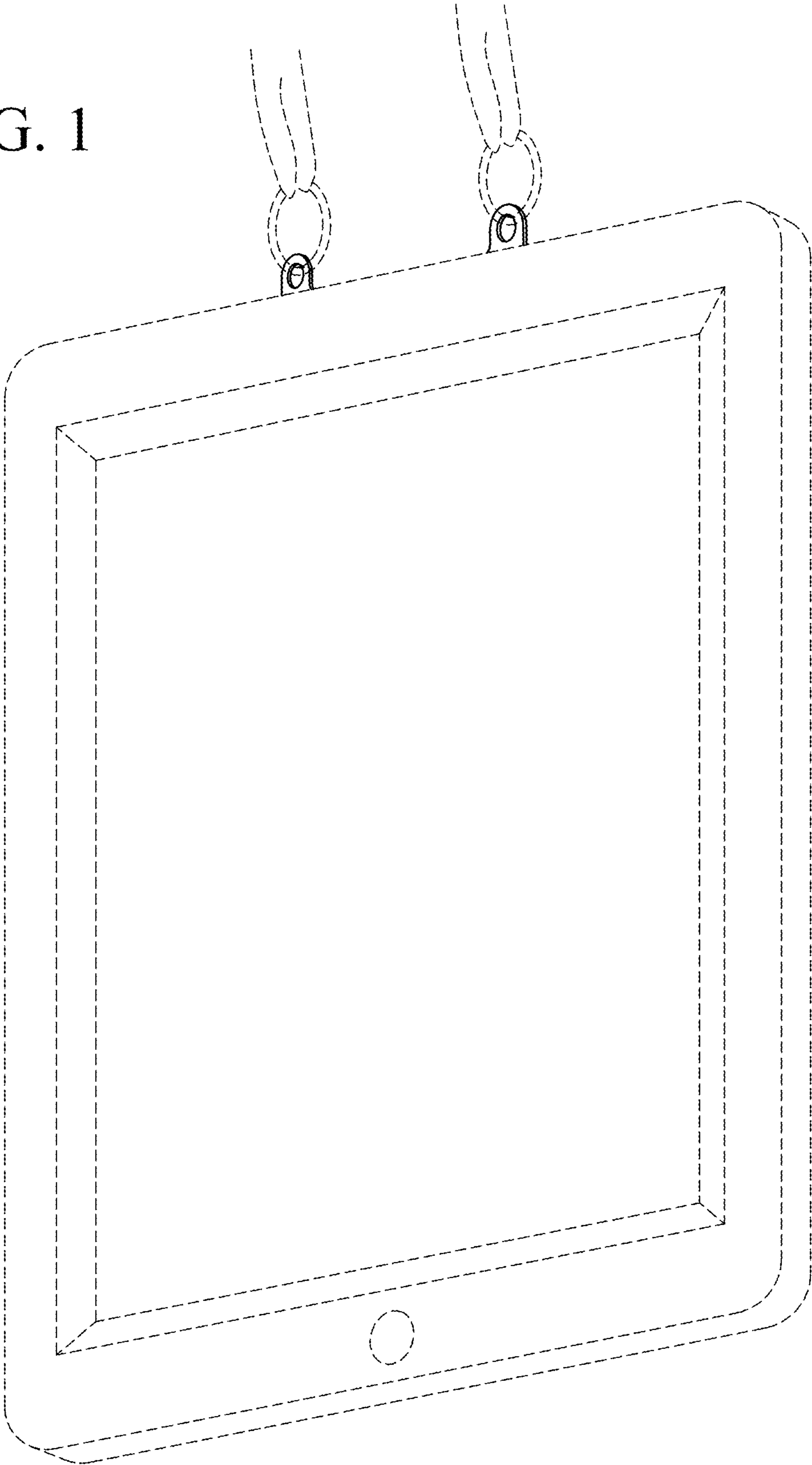


FIG. 1



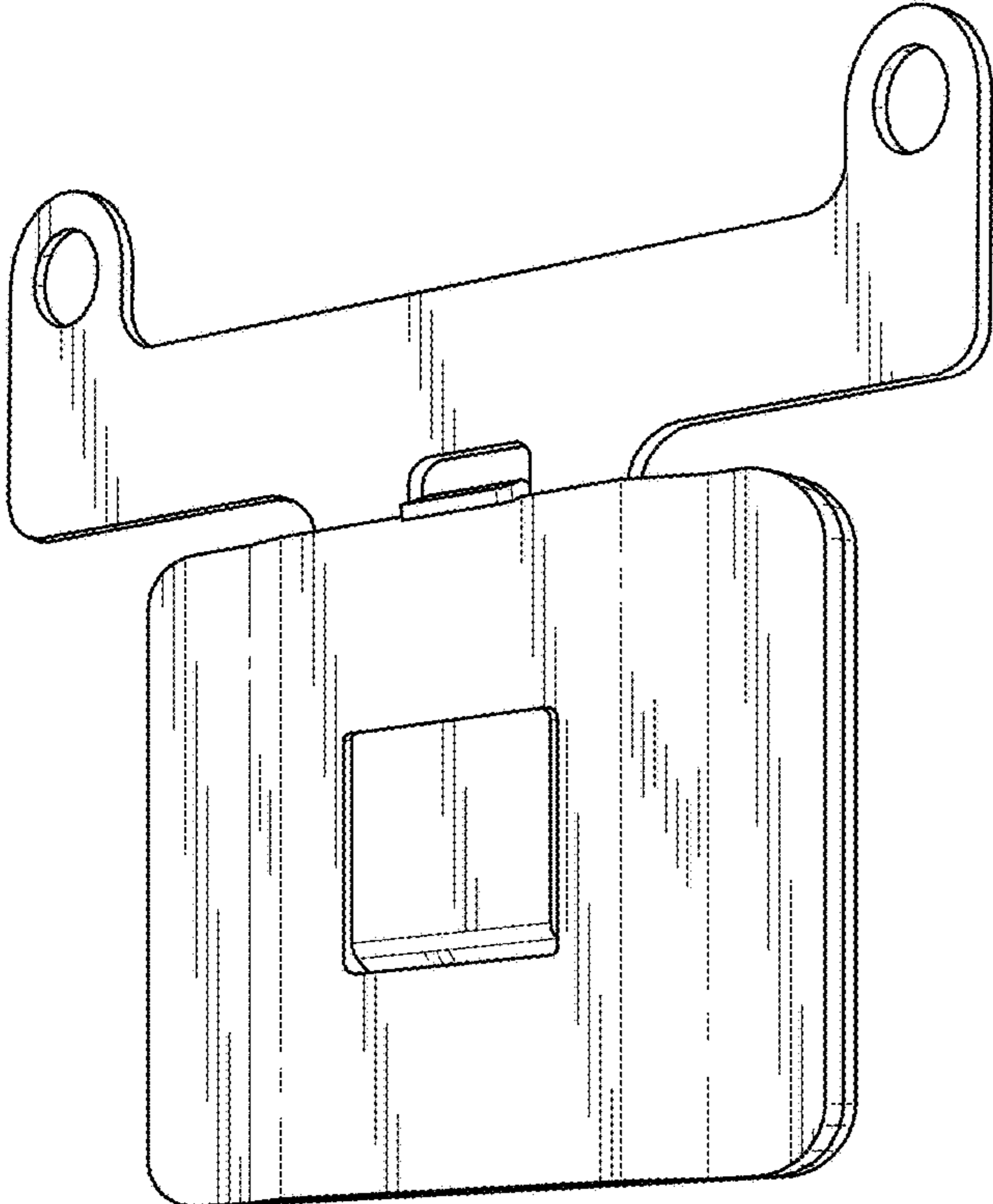


FIG. 2

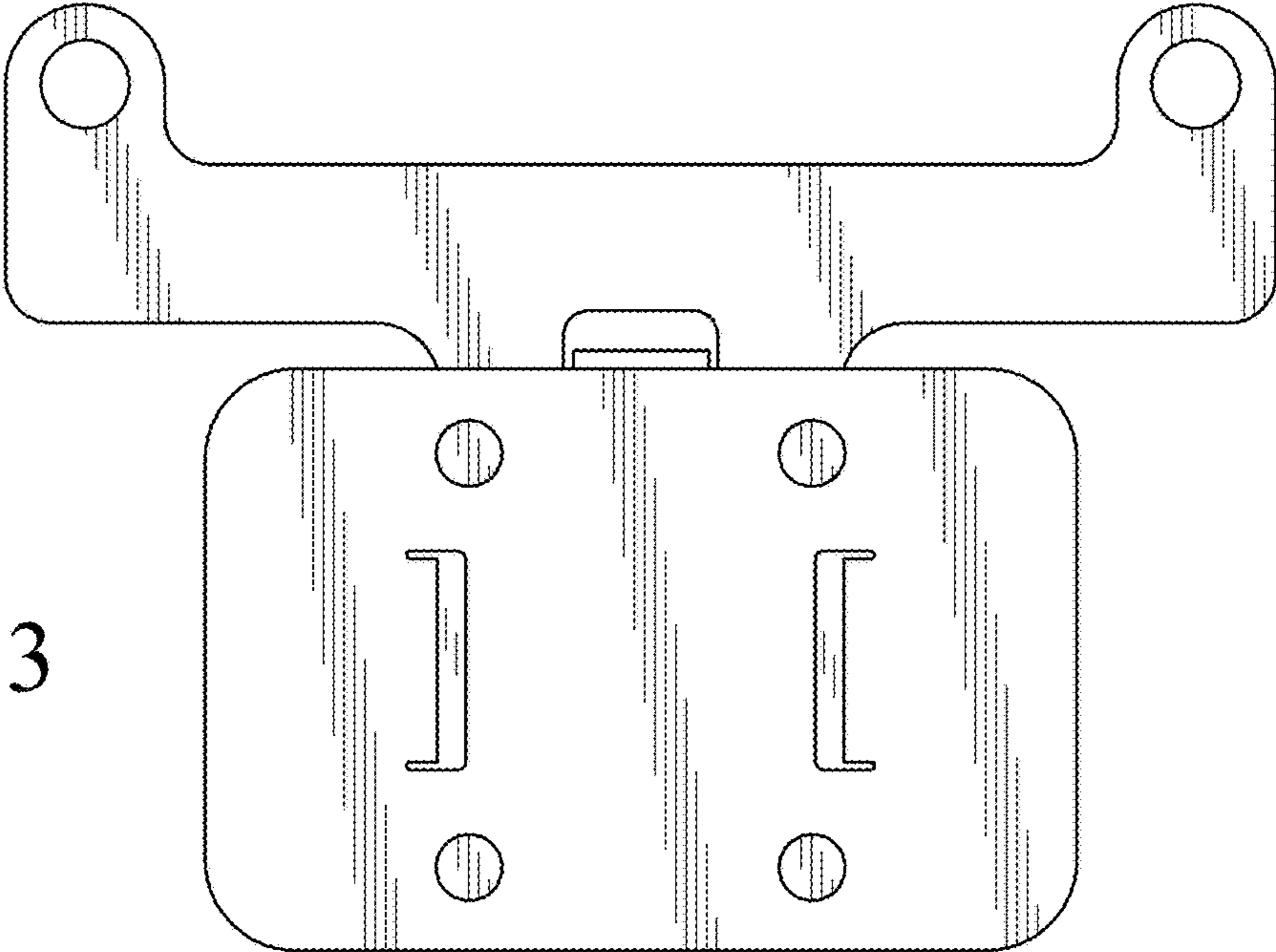


FIG. 3

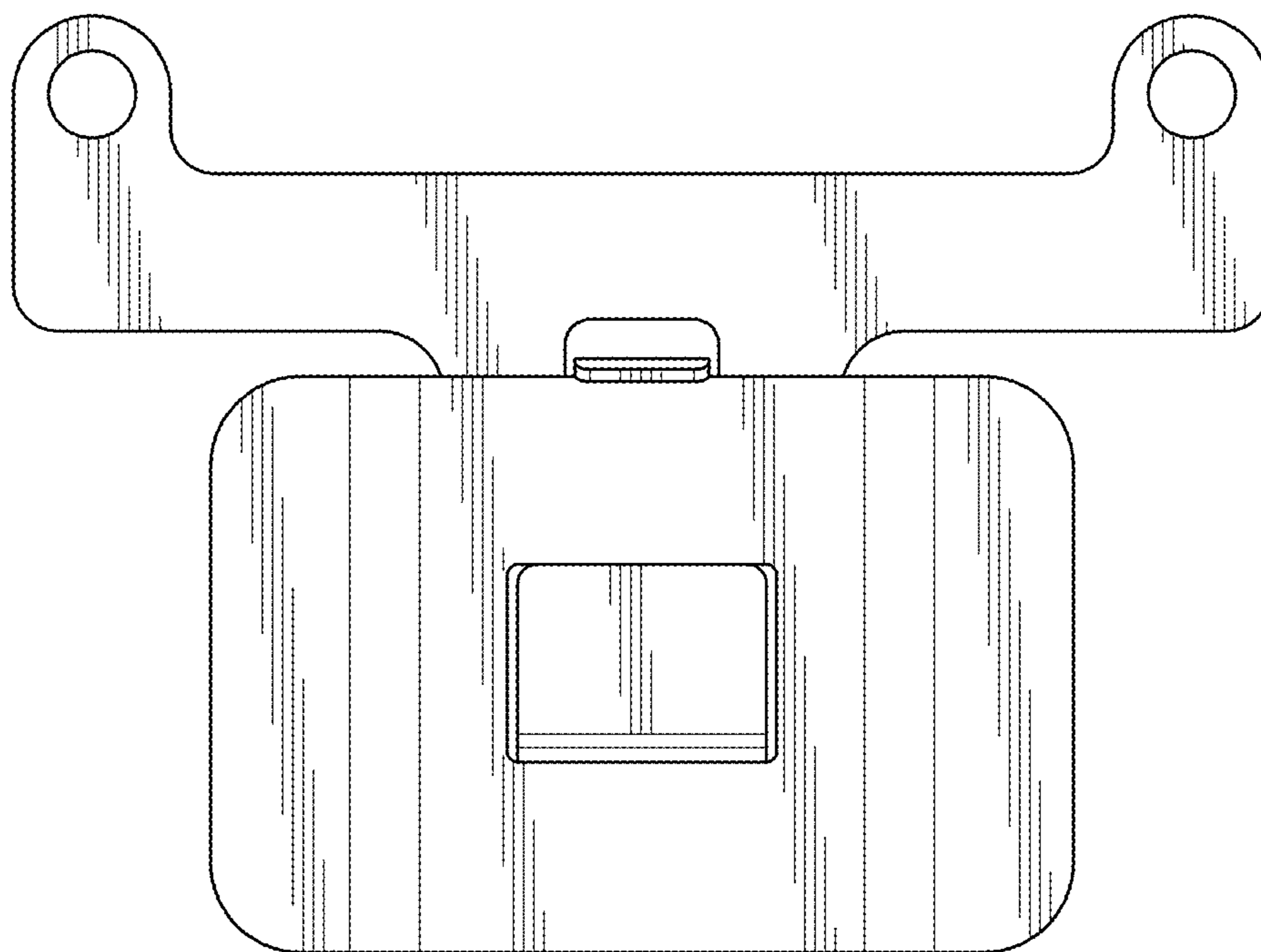


FIG. 4

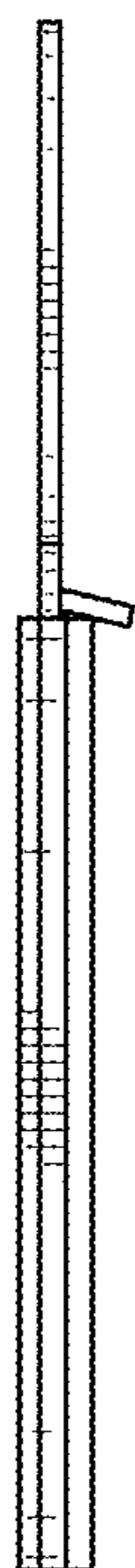


FIG. 5



FIG. 6

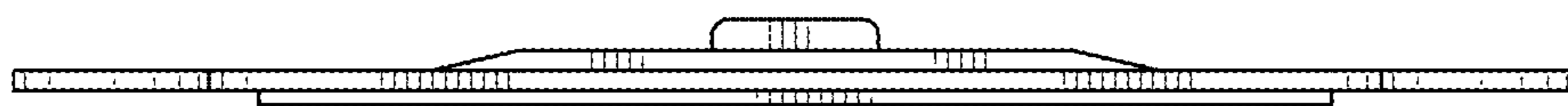


FIG. 7



FIG. 8

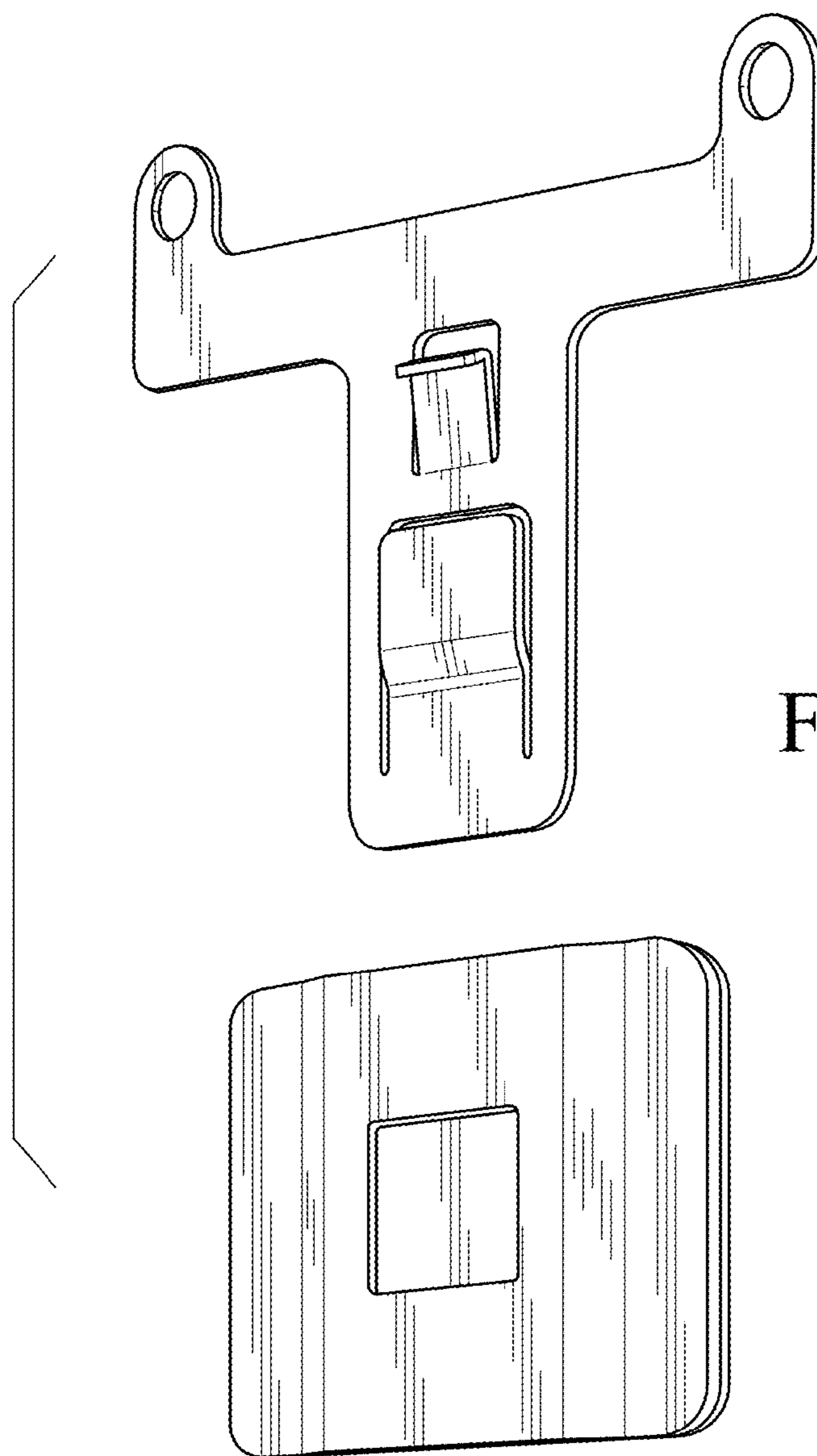


FIG. 9