



US00D805081S

(12) **United States Design Patent**  
**Mittelstadt**

(10) **Patent No.:** **US D805,081 S**

(45) **Date of Patent:** **\*\* Dec. 12, 2017**

(54) **CASE FOR ALTERNATIVELY CONTAINING OR SUPPORTING A LAPTOP COMPUTER**

(71) Applicant: **John Mittelstadt**, Mill Valley, CA (US)

(72) Inventor: **John Mittelstadt**, Mill Valley, CA (US)

(\*\*) Term: **15 Years**

(21) Appl. No.: **29/551,298**

(22) Filed: **Jan. 12, 2016**

(51) **LOC (10) Cl.** ..... **14-02**

(52) **U.S. Cl.**  
USPC ..... **D14/440**

(58) **Field of Classification Search**  
USPC ..... D14/440, 250, 447; D3/299; 206/45.23, 206/320, 45.2; 361/679.55; 294/25; 224/218; D9/414  
CPC .... G06F 1/1628; G06F 1/1667; G06F 1/1626; A47B 23/044; H04B 1/3888; A45C 11/00  
See application file for complete search history.

(56) **References Cited**

U.S. PATENT DOCUMENTS

5,971,148	A	10/1999	Jackson	
6,496,360	B1	12/2002	Cordes et al.	
6,663,072	B1	12/2003	Ritchey et al.	
7,207,540	B2	4/2007	Thomas	
7,275,724	B1	10/2007	Ward	
D611,253	S *	3/2010	Lown	D3/301
D645,251	S *	9/2011	Lee	D3/301
8,215,242	B2	7/2012	Aguayo	
D672,353	S *	12/2012	Liu	D14/440
D676,448	S *	2/2013	Gorman	D14/440
D681,951	S *	5/2013	Phillips	D3/299

D696,864	S *	1/2014	Phillips	D3/299
D709,509	S *	7/2014	Kim	D14/440
D715,052	S *	10/2014	Fair	D3/301
D729,252	S *	5/2015	Smith	D14/440
D743,170	S *	11/2015	Akana	D3/299
2008/0173507	A1	7/2008	Janssen	
2010/0230301	A1*	9/2010	Fellig	H04B 1/3888 206/232

\* cited by examiner

*Primary Examiner* — Cynthia Underwood

(74) *Attorney, Agent, or Firm* — Mintz Levin Cohn Ferris Glovsky and Popeo, P.C.

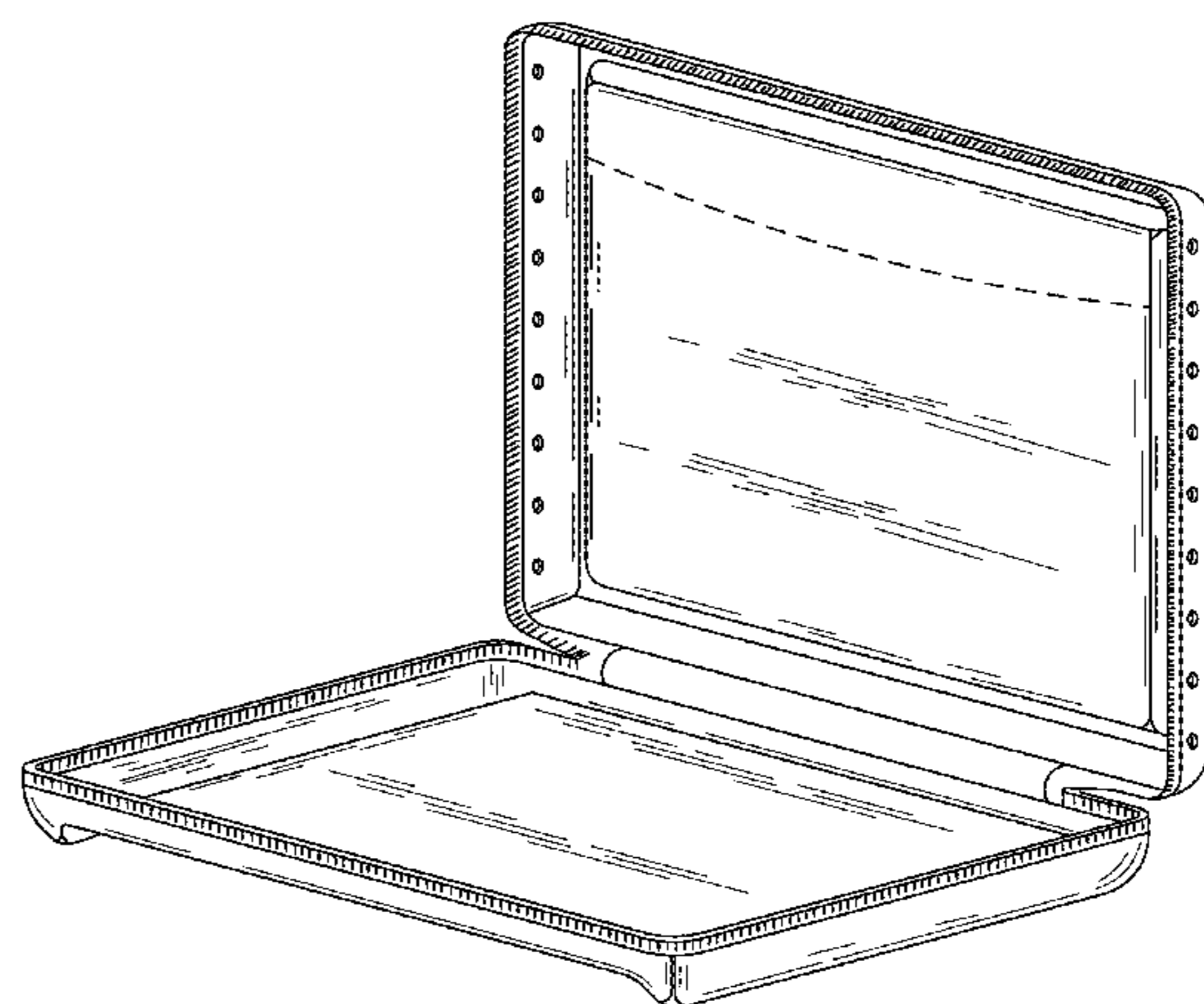
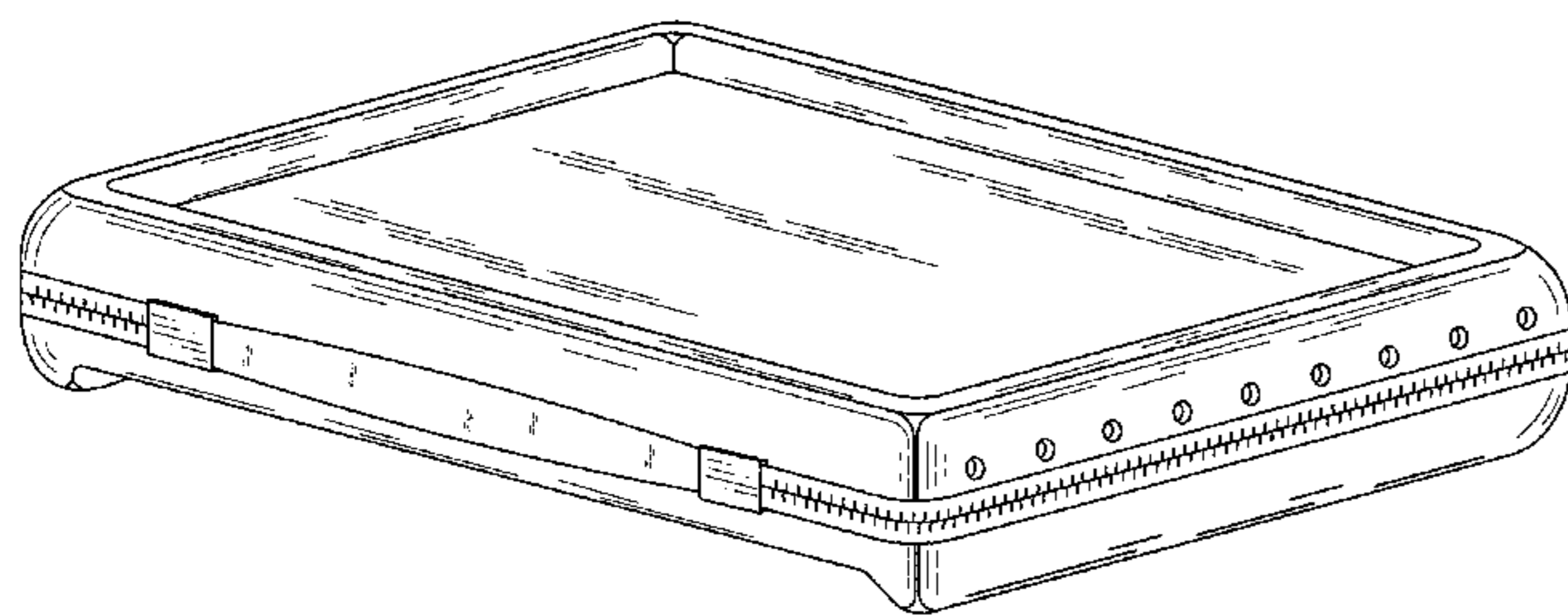
(57) **CLAIM**

The ornamental design for case for alternatively containing or supporting a laptop computer, as shown and described.

**DESCRIPTION**

FIG. 1 is a perspective view from rear of case for alternatively containing or supporting a laptop computer showing my design;  
FIG. 2 is a top plan view thereof;  
FIG. 3 is a front elevation view thereof;  
FIG. 4 is a rear elevation view thereof;  
FIG. 5 is a left side elevation view thereof, the right side elevation view thereof being a mirror image;  
FIG. 6 is a bottom plan view thereof; and,  
FIG. 7 is a perspective view thereof in open condition.  
The broken lines in FIGS. 3, 4 and 6 represent unclaimed portions of the structure and the broken lines in FIG. 7 represent an unclaimed interior file pocket.

**1 Claim, 7 Drawing Sheets**



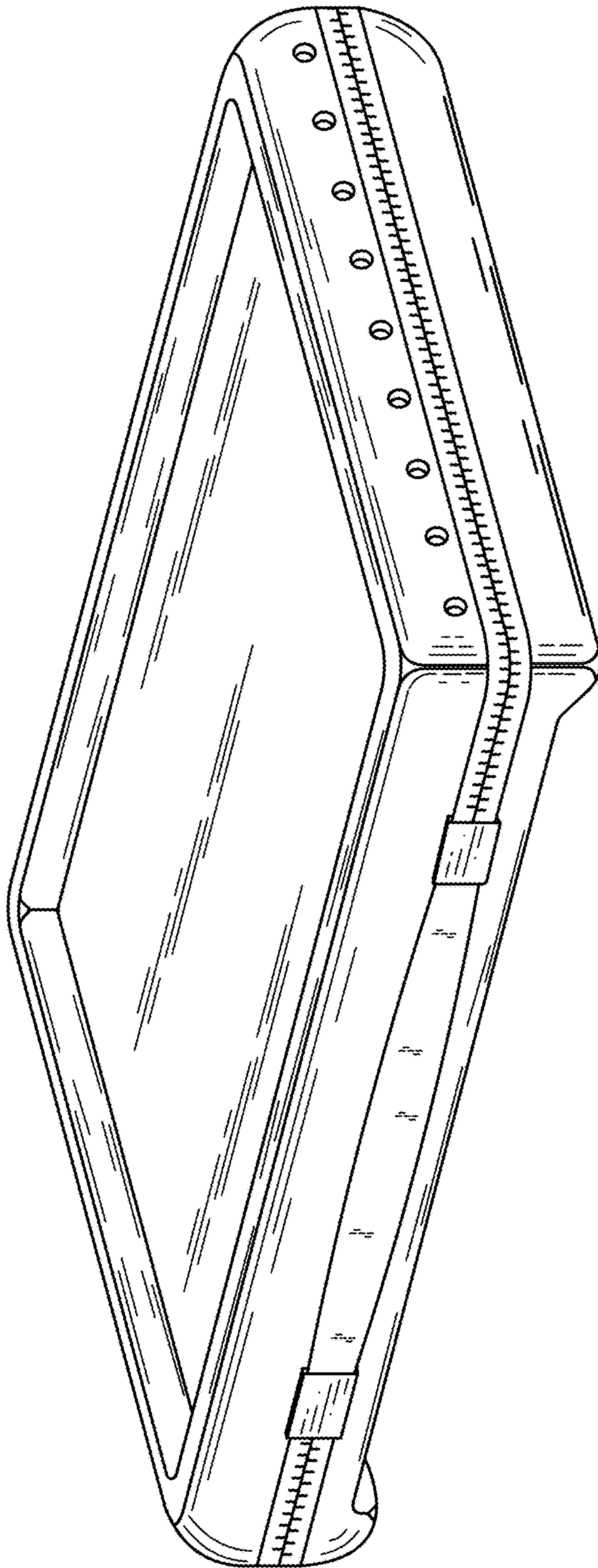


FIG. 1

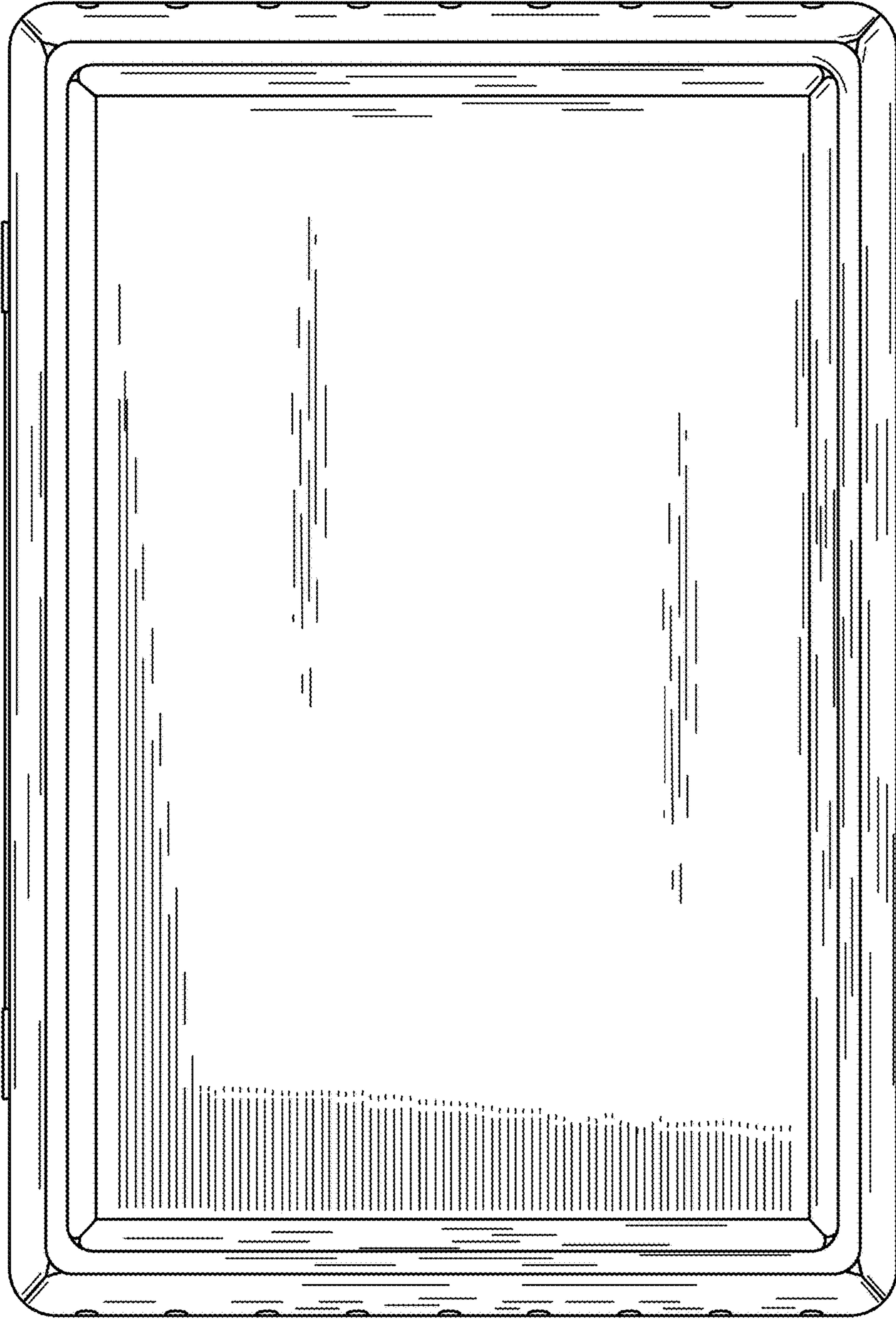


FIG. 2



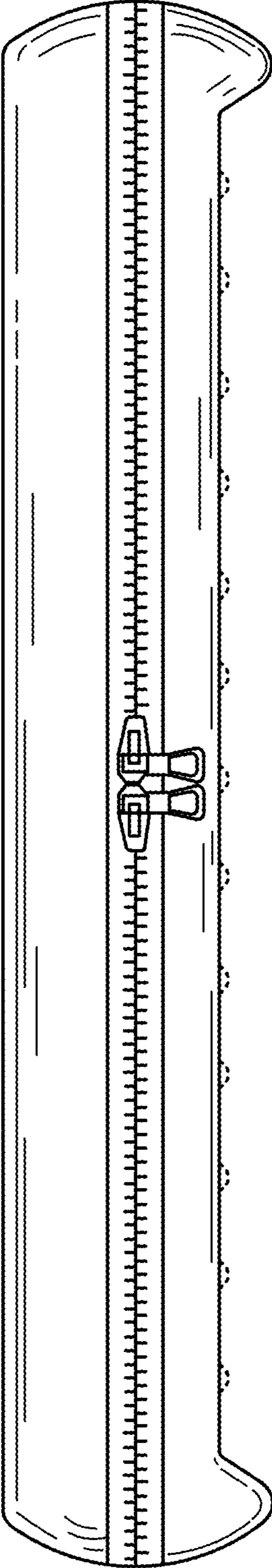


FIG. 3

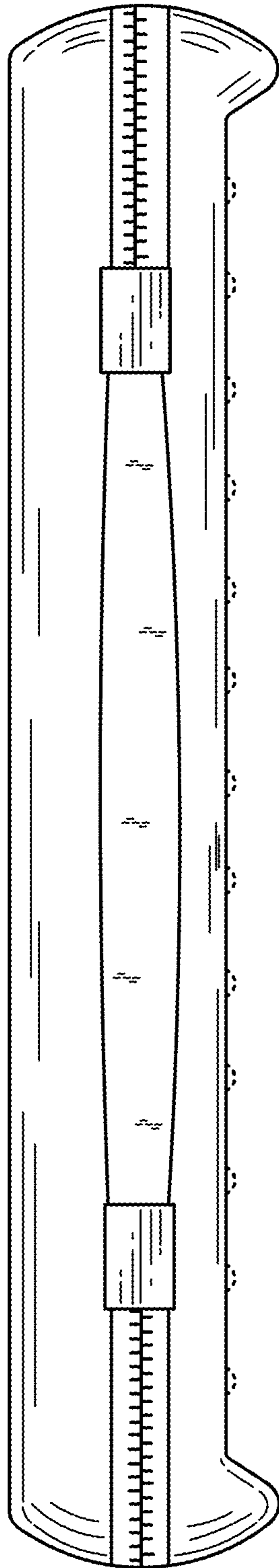


FIG. 4

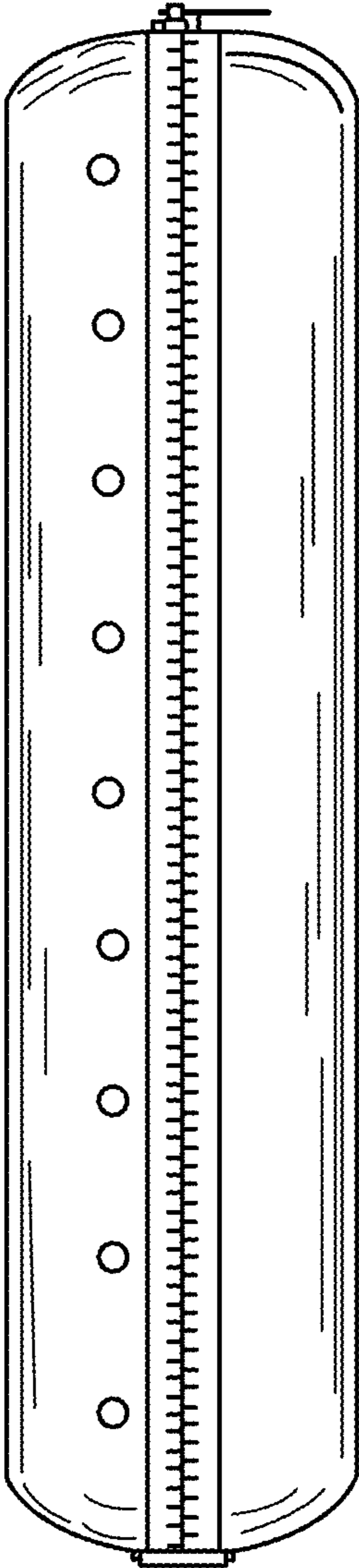


FIG. 5

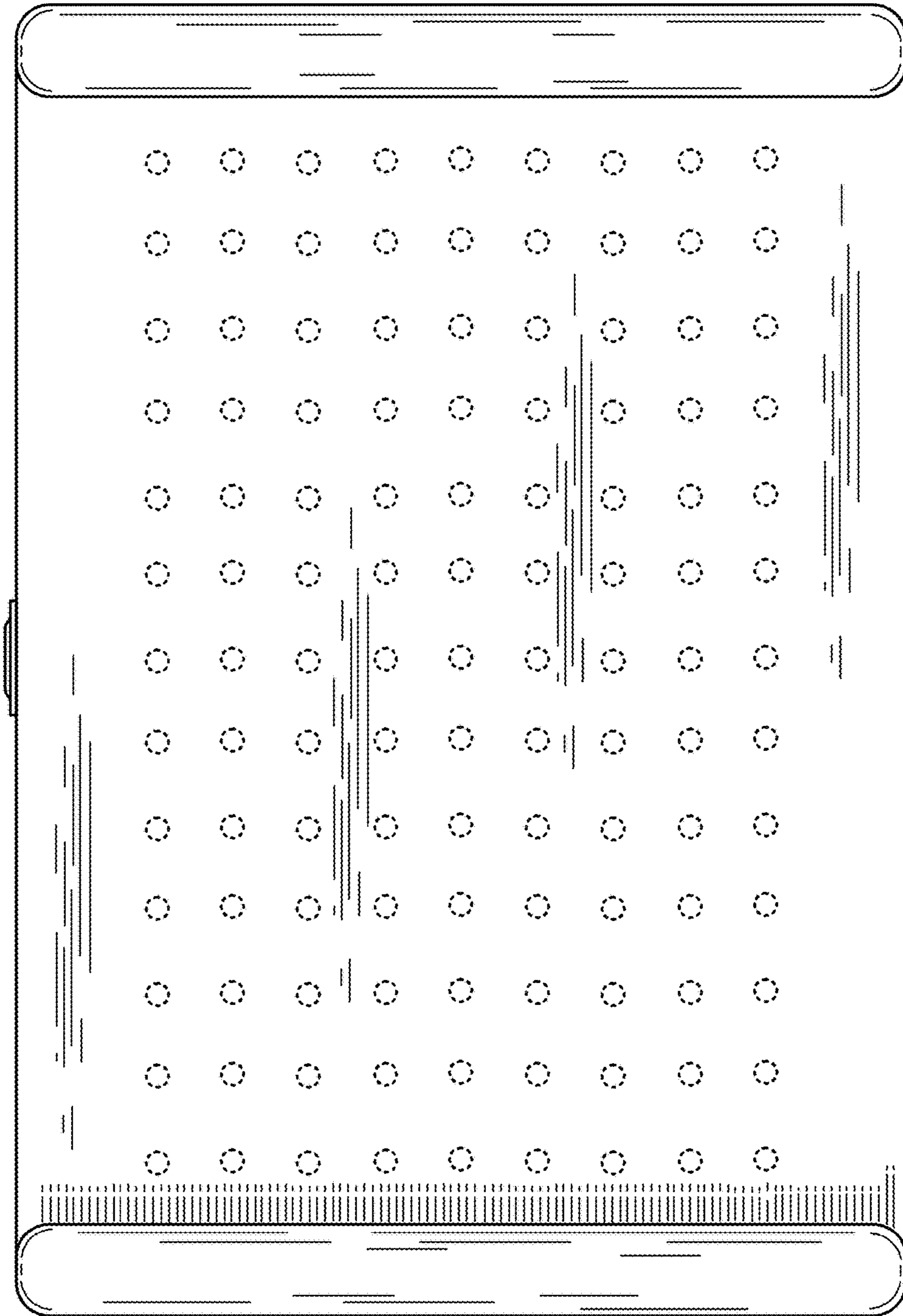


FIG. 6

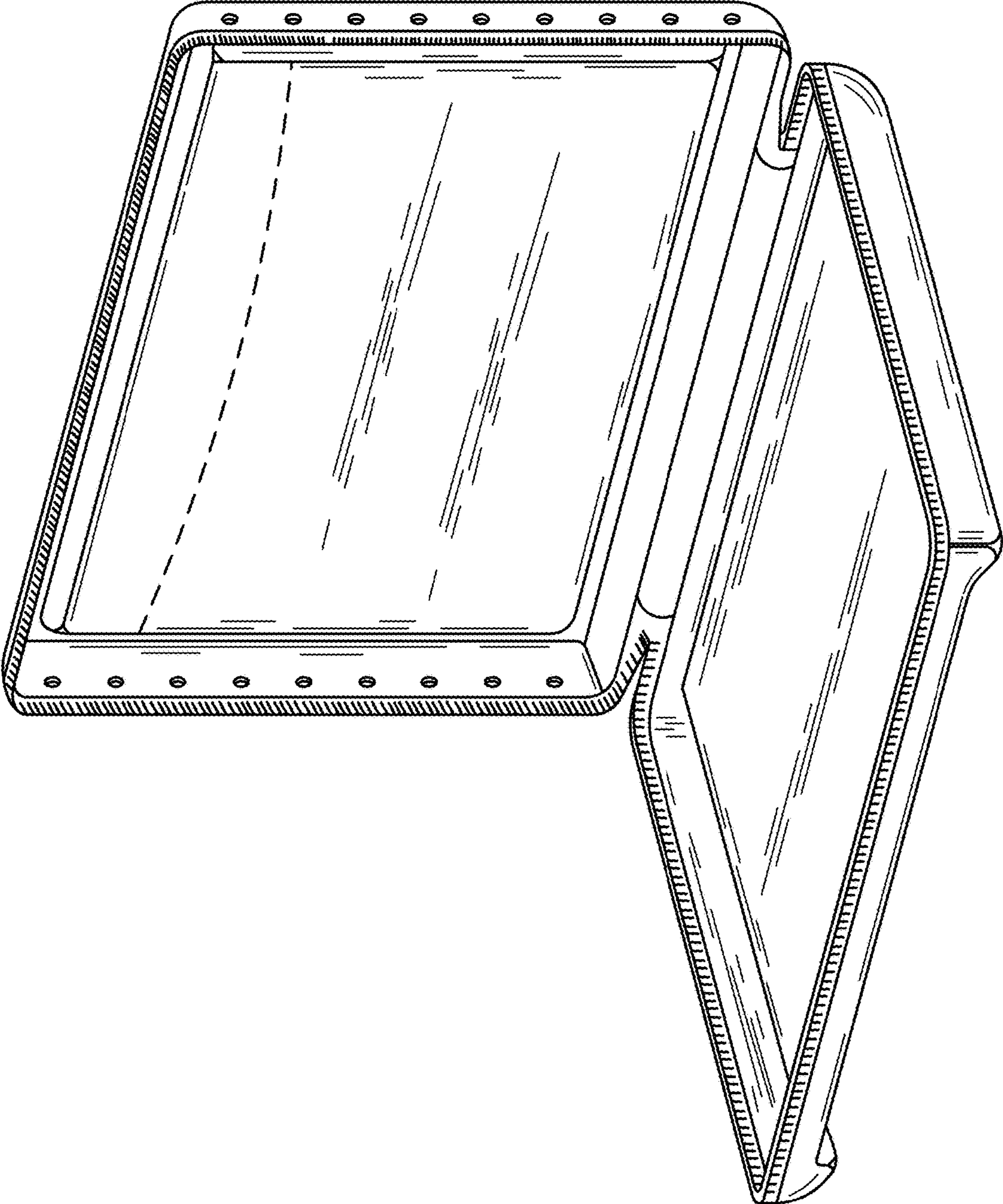


FIG. 7