



US00D805080S

(12) **United States Design Patent**
Lakraa et al.

(10) **Patent No.:** **US D805,080 S**

(45) **Date of Patent:** **** Dec. 12, 2017**

(54) **PROTECTIVE COVER FOR AN INPUT DEVICE**

(71) Applicant: **Logitech Europe S.A.**, Lausanne (CH)

(72) Inventors: **Karima Lakraa**, Lausanne (CH);
Pai-Cheng Chu, Taichung (TW); **Jing Shao**, SuZhou (CN)

(73) Assignee: **Logitech Europe S.A.**, Lausanne (CH)

(**) Term: **15 Years**

(21) Appl. No.: **29/538,841**

(22) Filed: **Sep. 8, 2015**

(51) **LOC (10) Cl.** **14-02**

(52) **U.S. Cl.**
USPC **D14/440**

(58) **Field of Classification Search**
USPC D14/250, 440, 447; 206/45.23, 320,
206/45.2; 361/679.55; 294/25; 224/218
CPC G06F 1/1628; G06F 1/1613; G06F 1/1626;
A47B 23/044
See application file for complete search history.

(56) **References Cited**

U.S. PATENT DOCUMENTS

D356,120 S *	3/1995	Allen	D21/335
D364,191 S *	11/1995	Allen	D21/335
D467,429 S *	12/2002	Bone	D3/294
D658,188 S *	4/2012	Diebel	D14/440
D658,877 S *	5/2012	Janus	D3/301
D663,304 S *	7/2012	Akana	D14/440
D672,781 S *	12/2012	Lu	D14/440
D678,260 S *	3/2013	Bau	D14/132
D679,279 S *	4/2013	Yang	D14/440
D679,715 S *	4/2013	Akana	D14/440
D681,641 S *	5/2013	Van Den Nieuwenhuizen	D14/440
D687,438 S *	8/2013	Lu	D14/440

D691,142 S *	10/2013	Diebel	D14/440
D696,253 S *	12/2013	Akana	D14/345
D696,669 S *	12/2013	Akana	D14/440
D713,848 S *	9/2014	Akana	D14/440
D714,791 S *	10/2014	Liu	D14/440
D726,731 S *	4/2015	Kim	D14/440
2009/0107858 A1 *	4/2009	Huang	A45C 9/00 206/214
2013/0020216 A1 *	1/2013	Chiou	G06F 1/1626 206/320

(Continued)

Primary Examiner — Cynthia Underwood

(74) *Attorney, Agent, or Firm* — Kilpatrick Townsend & Stockton LLP

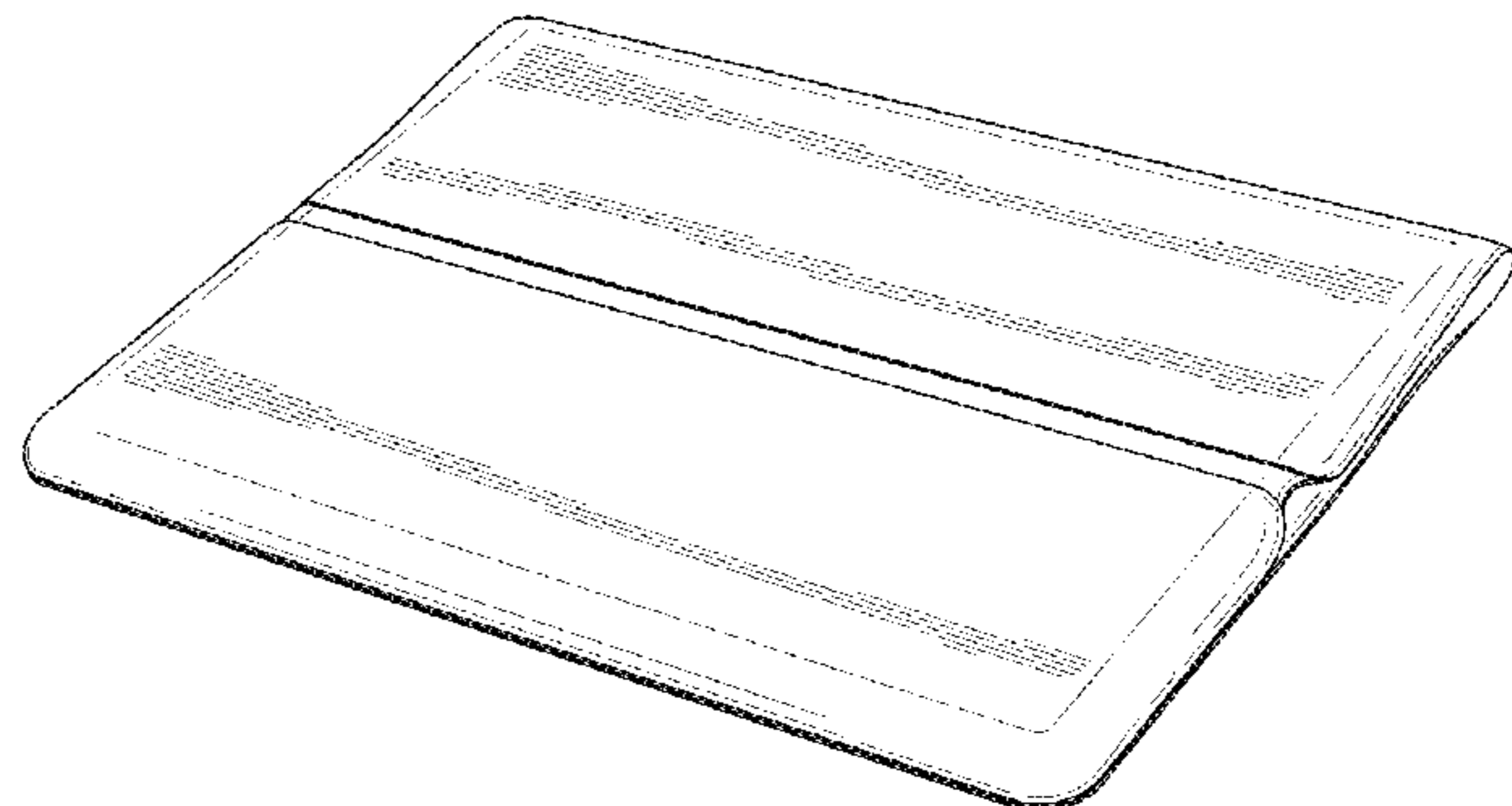
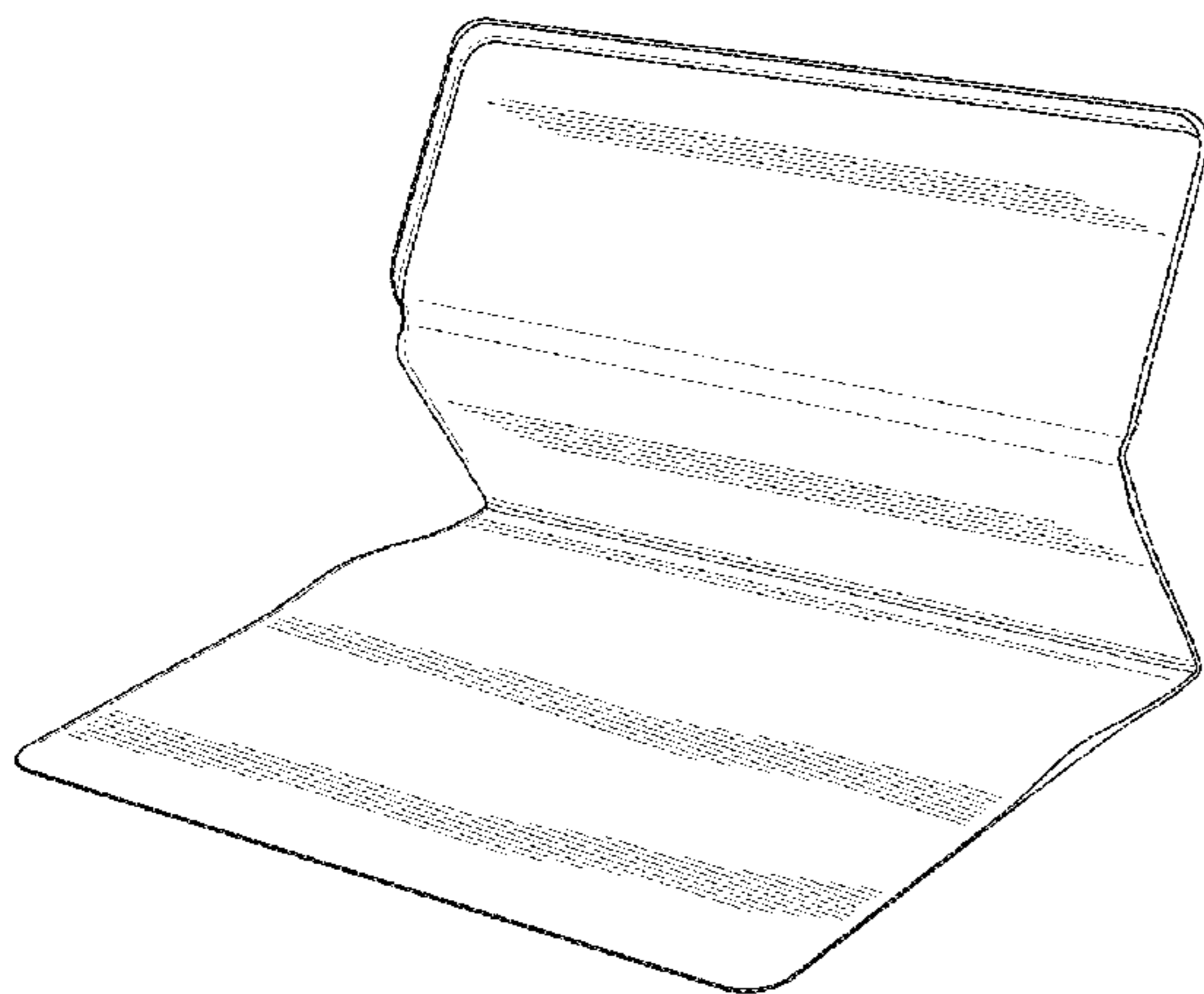
(57) **CLAIM**

The ornamental design for the protective cover for an input device, as shown and described.

DESCRIPTION

FIG. 1 is a perspective view of our protective cover for an input device showing our design in an open configuration; FIG. 2 is a top plan view thereof; FIG. 3 is a bottom plan view thereof; FIG. 4 is front plan view thereof; FIG. 5 is a back plan view thereof; FIG. 6 is a left side plan view thereof; and FIG. 7 is a right side plan view thereof. FIG. 8 is a perspective view of our protective cover for an input device showing our design in a closed configuration; FIG. 9 is a top plan view thereof; FIG. 10 is a bottom plan view thereof; FIG. 11 is front plan view thereof; FIG. 12 is a back plan view thereof; FIG. 13 is a left side plan view thereof; and, FIG. 14 is a right side plan view thereof. The broken lines shown represent unclaimed subject matter and form no part of the claimed design.

1 Claim, 8 Drawing Sheets



(56)

References Cited

U.S. PATENT DOCUMENTS

2013/0048520 A1* 2/2013 Garrett A45F 5/00
206/320
2013/0233762 A1* 9/2013 Balaji B65D 25/00
206/736

* cited by examiner

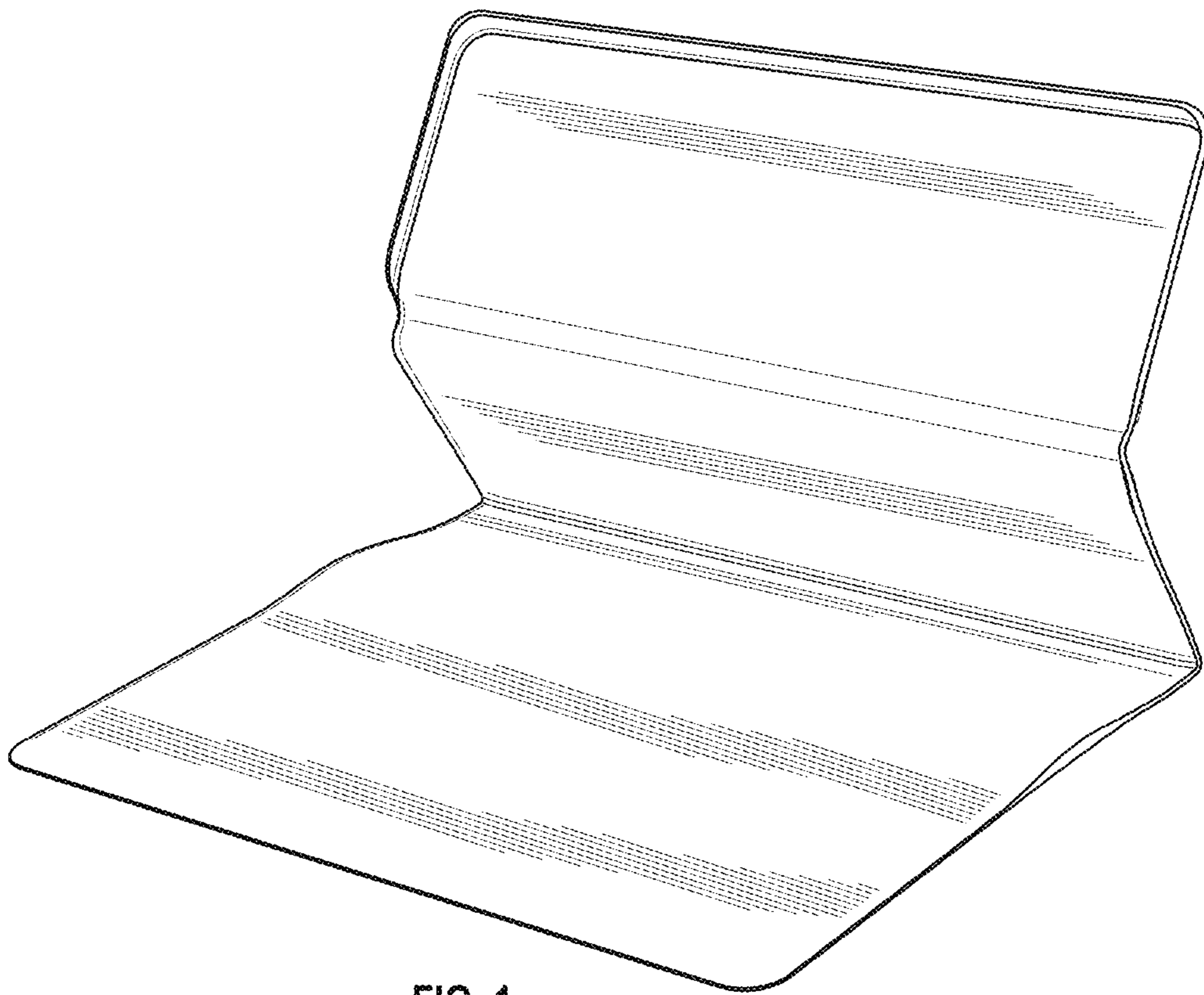


FIG. 1

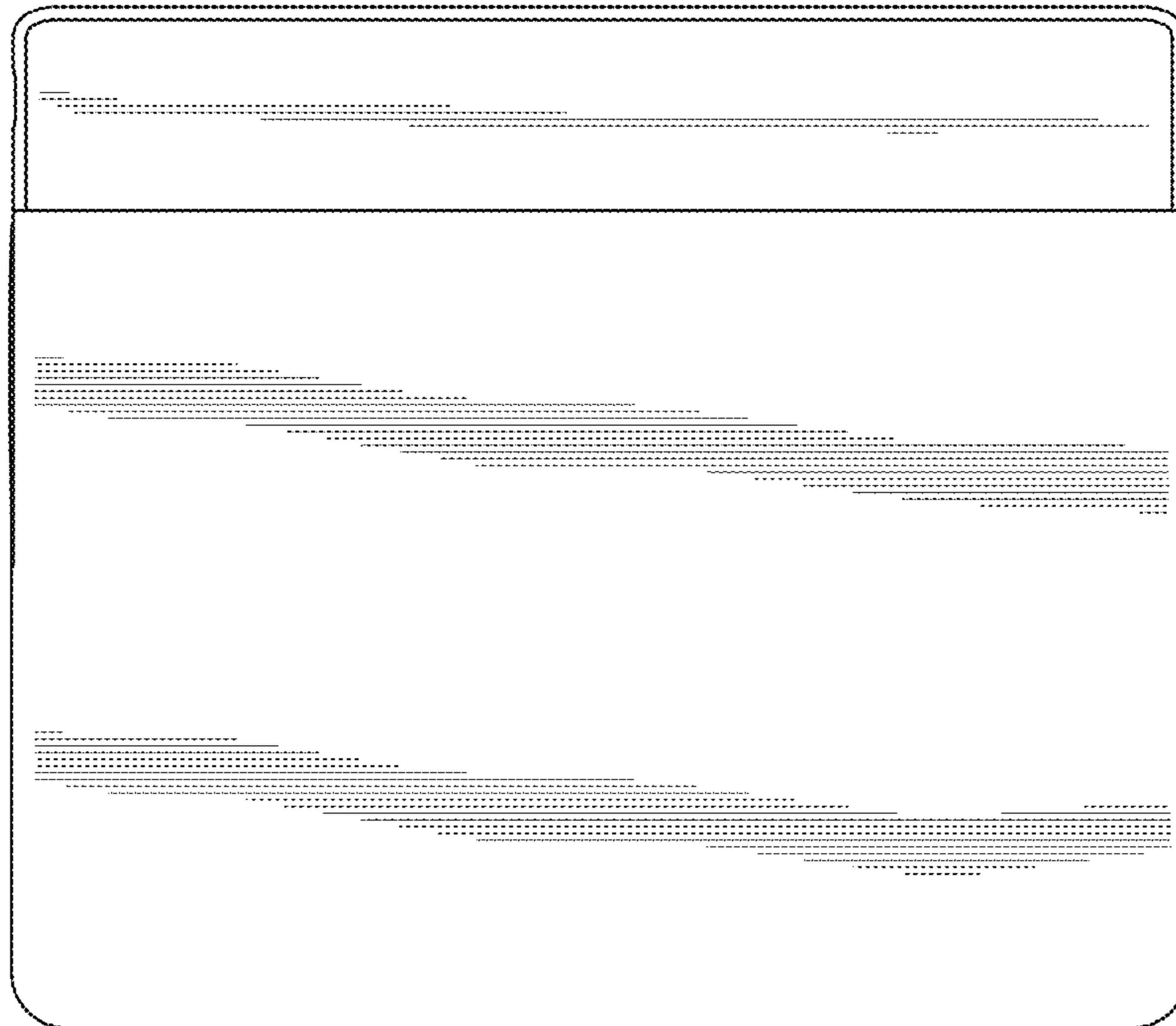


FIG. 2

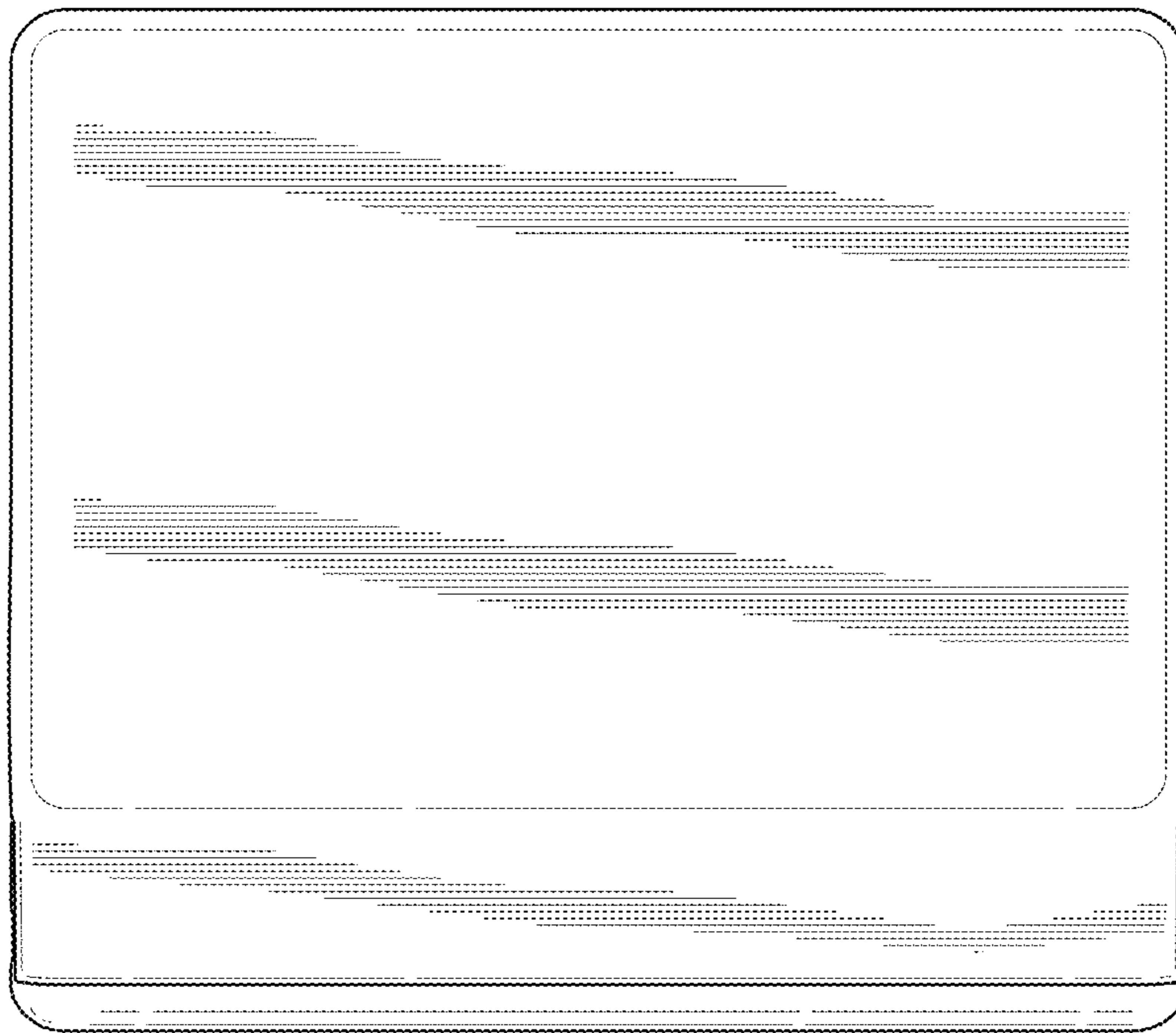


FIG. 3

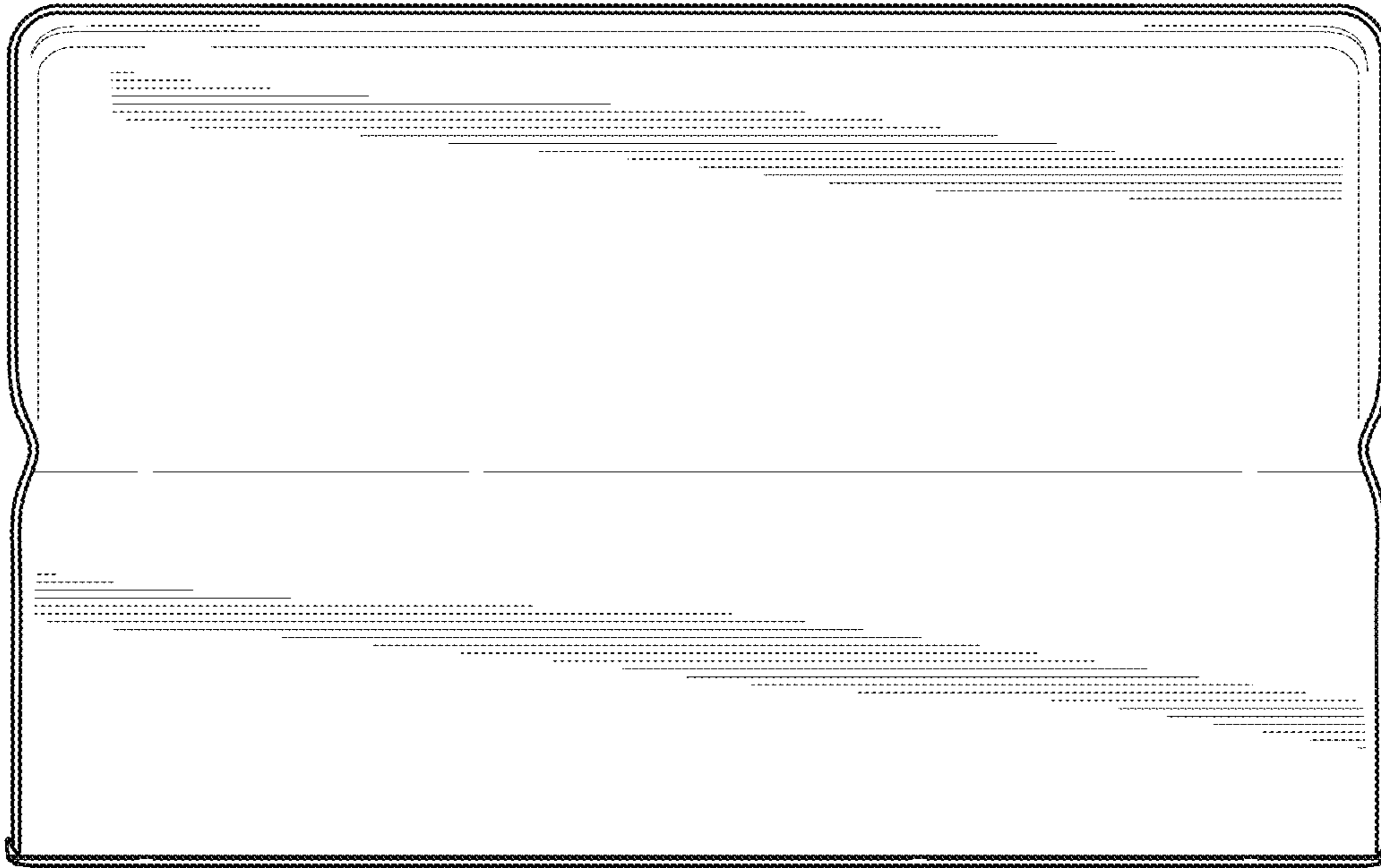


FIG. 4

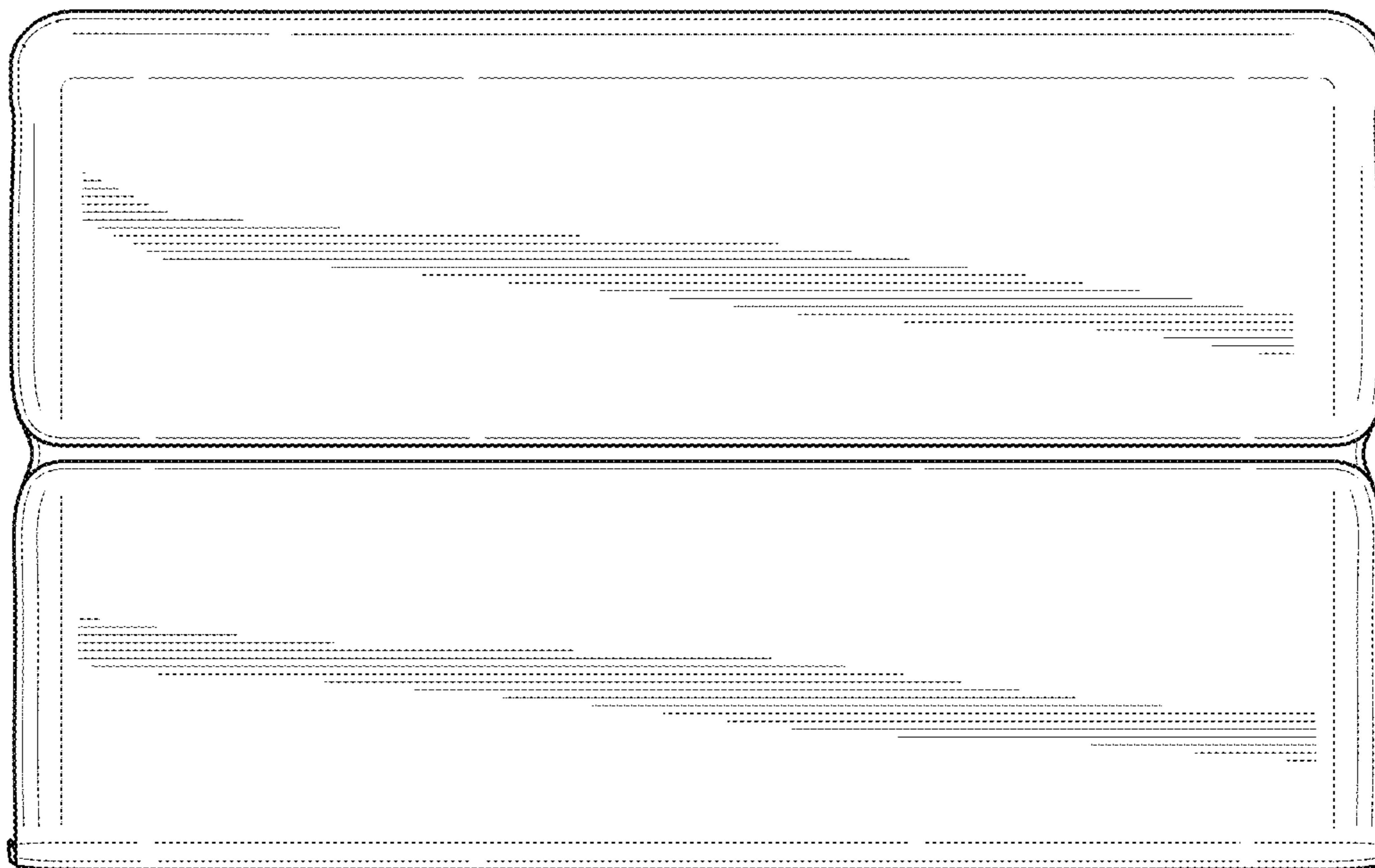


FIG. 5

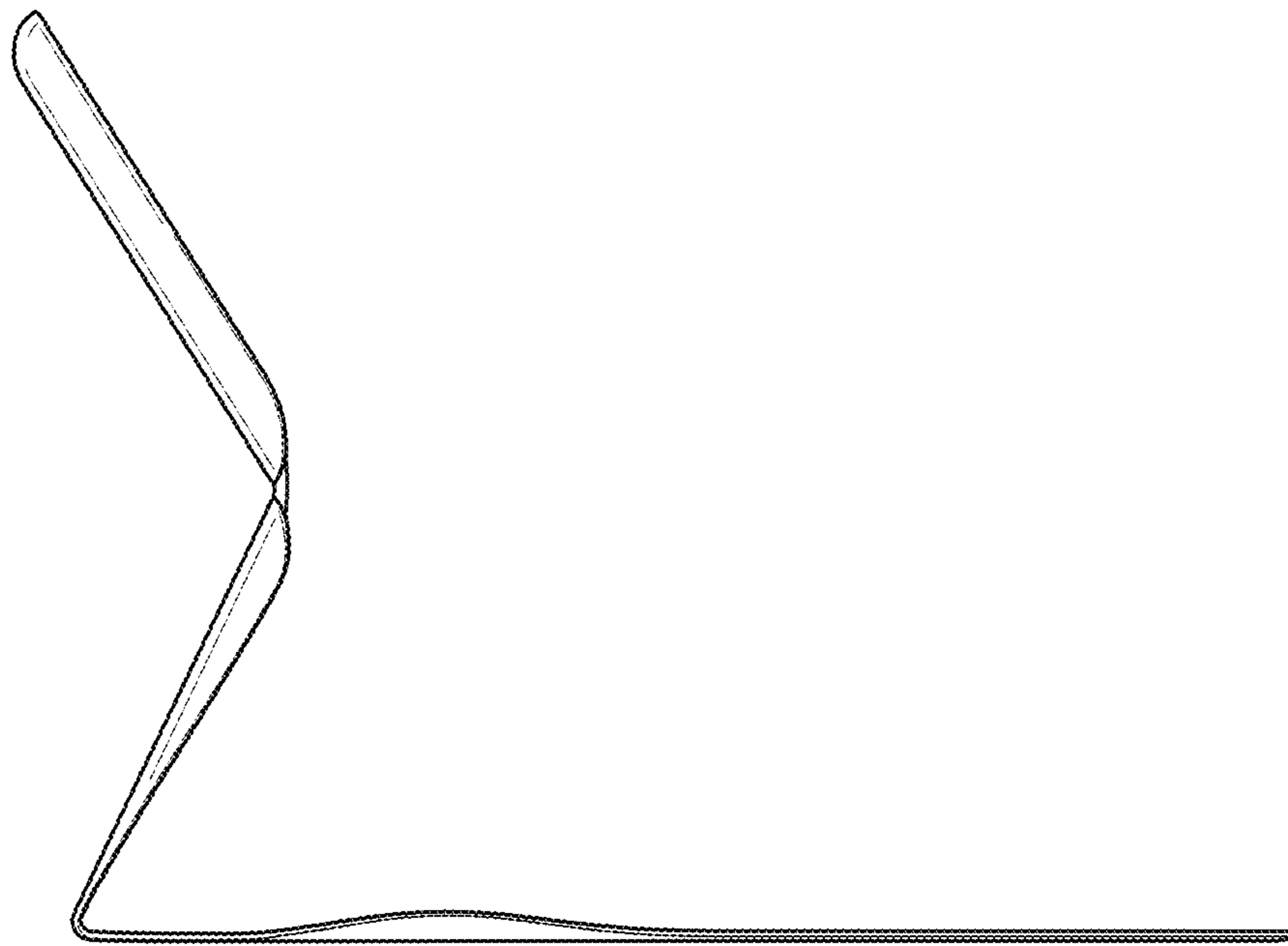


FIG. 6

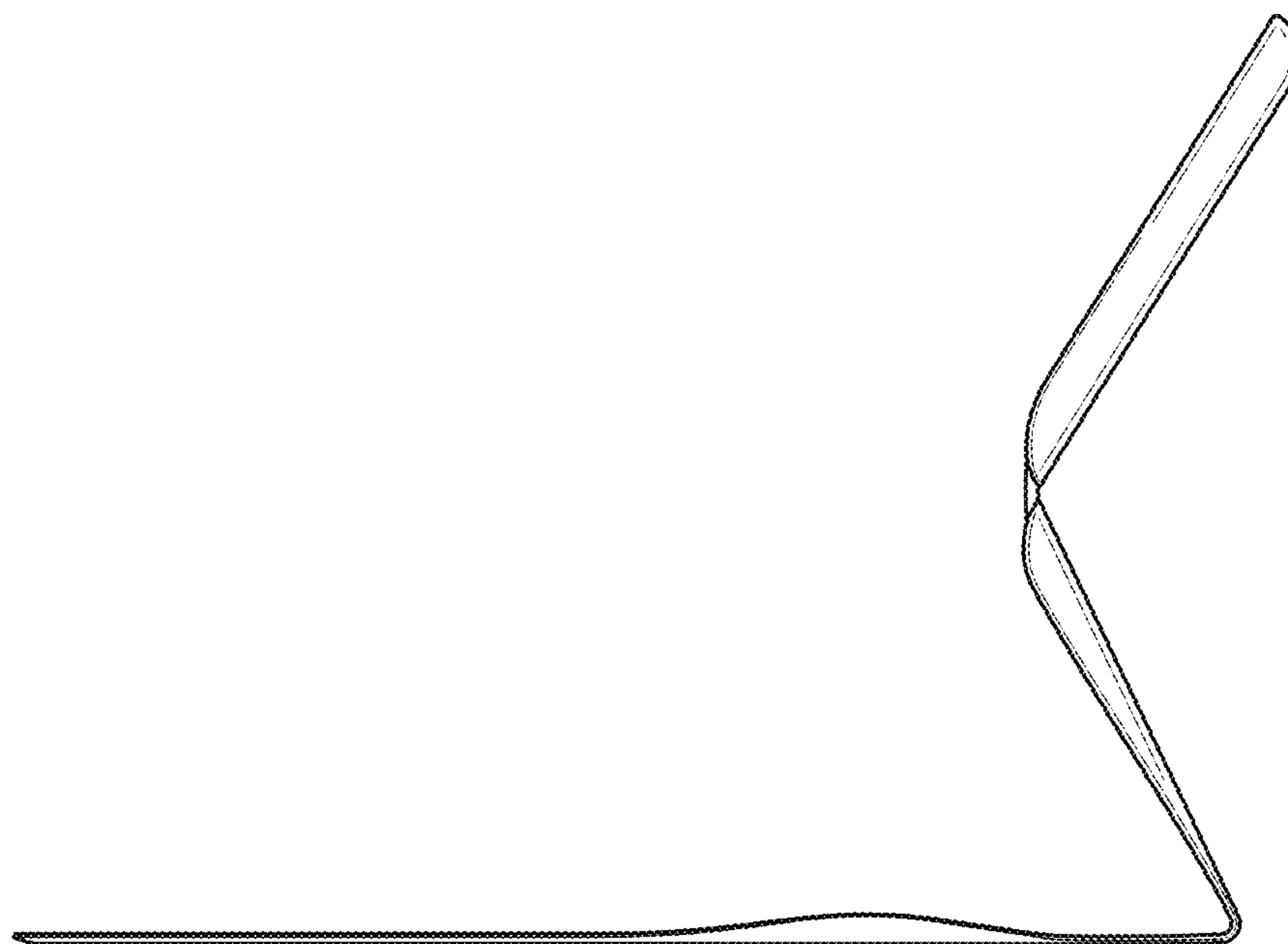


FIG. 7

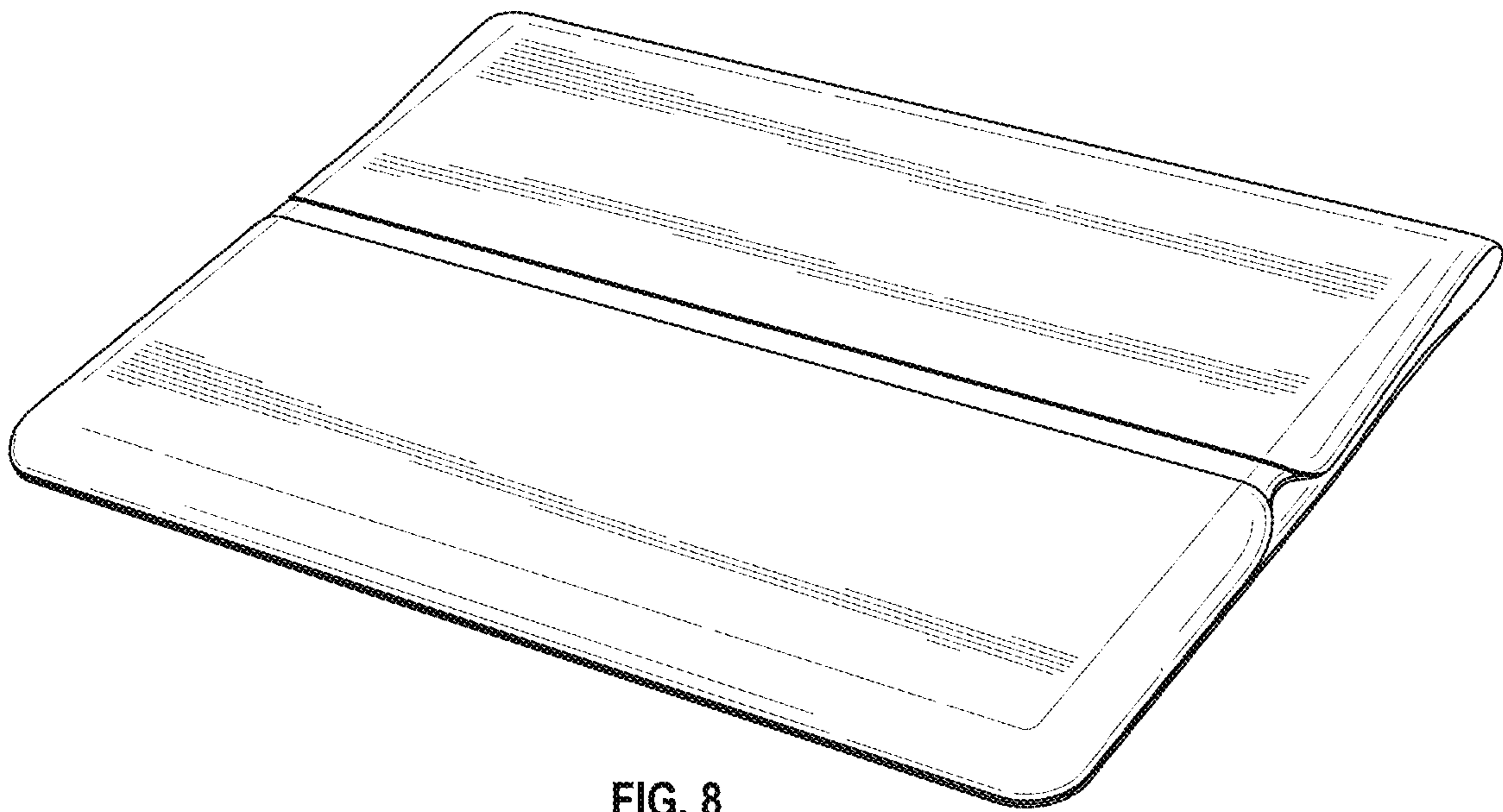


FIG. 8

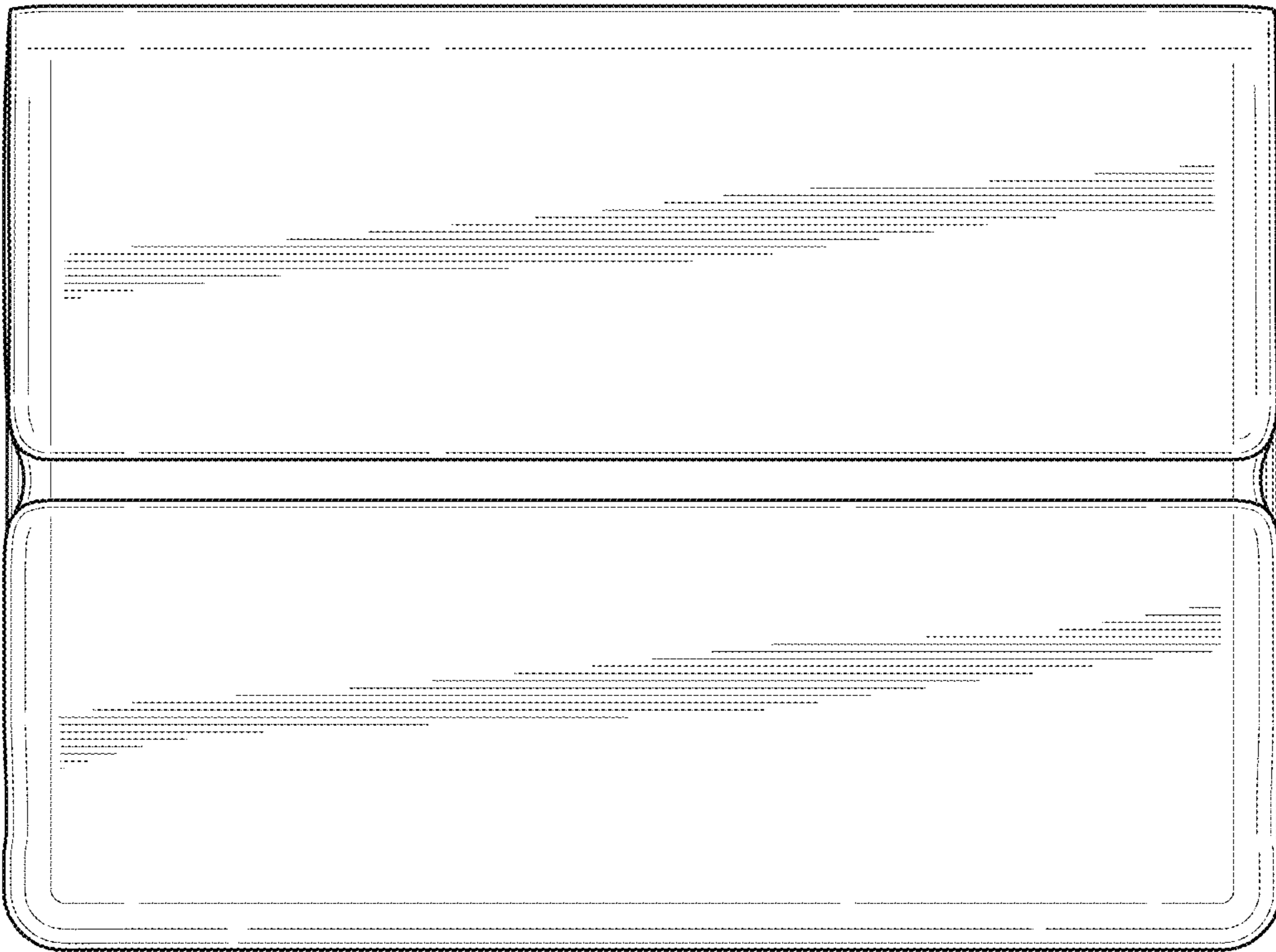


FIG. 9

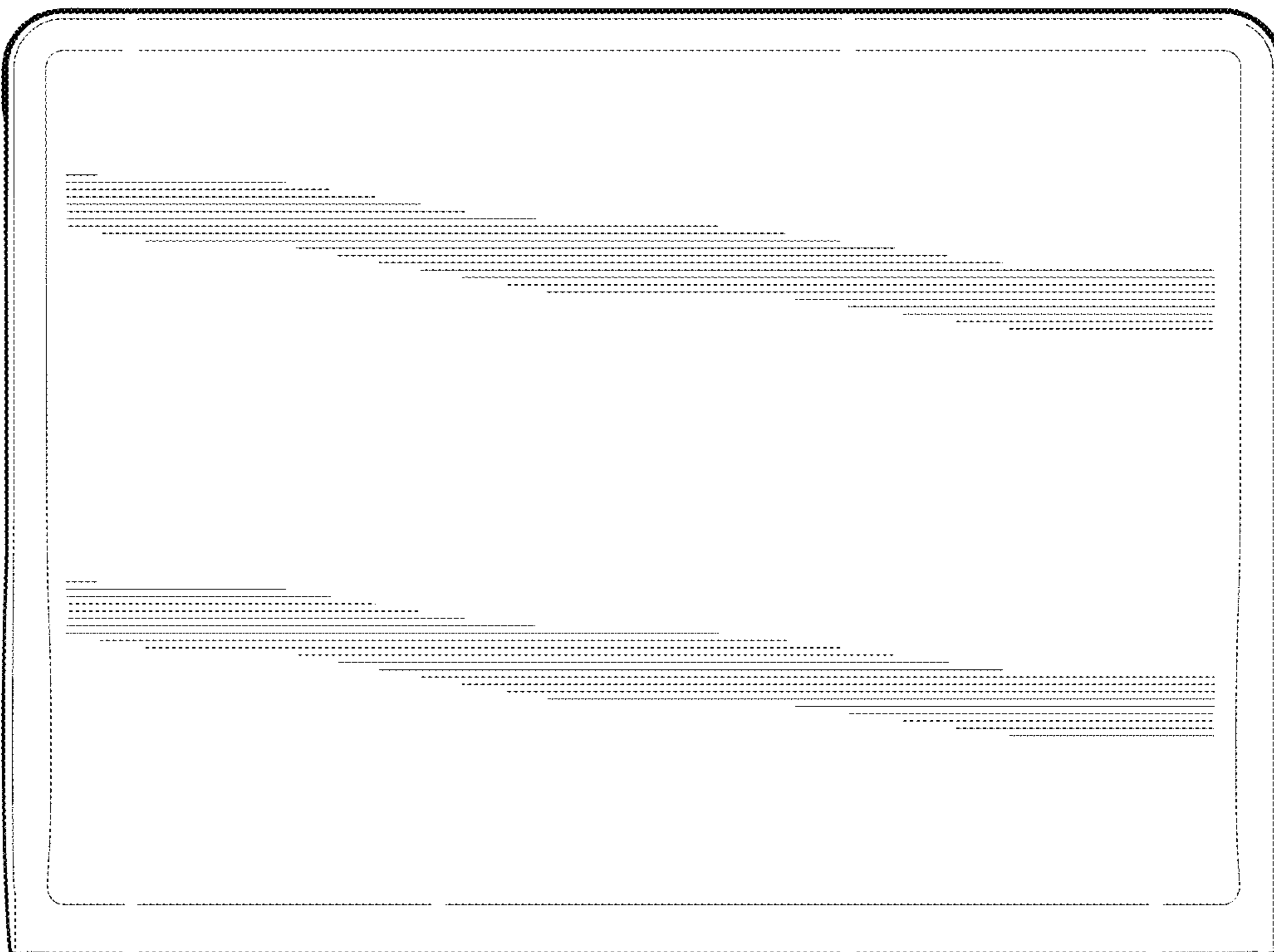


FIG. 10



FIG. 11

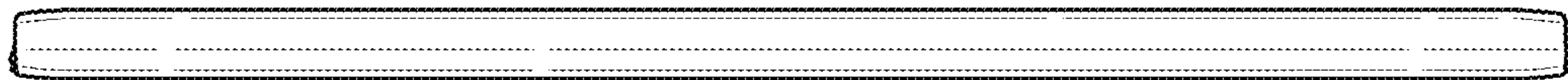


FIG. 12



FIG. 13



FIG. 14